



US00D718790S

(12) **United States Design Patent**  
**Yang**

(10) **Patent No.:** **US D718,790 S**  
(45) **Date of Patent:** **\*\* Dec. 2, 2014**

(54) **TANK-TYPE AIR COMPRESSOR**  
(71) Applicant: **Ken Yang**, Guangdong (CN)  
(72) Inventor: **Ken Yang**, Guangdong (CN)  
(73) Assignee: **Ken Yang**, Dongguan, Guangdong (CN)  
(\*\*) Term: **14 Years**  
(21) Appl. No.: **29/435,965**  
(22) Filed: **Oct. 31, 2012**  
(30) **Foreign Application Priority Data**

Aug. 28, 2012 (CN) ..... 2012 3 0409530

(51) **LOC (10) Cl.** ..... **15-02**  
(52) **U.S. Cl.**  
USPC ..... **D15/9**

(58) **Field of Classification Search**  
USPC ..... D15/7-9; D23/231, 232, 225; 417/60,  
417/235, 265, 321, 355, 358, 363, 359,  
417/410.1, 415-416, 405, 900; 60/408,  
60/412; 184/26-37; 415/140-147;  
123/495, 509; D24/111  
See application file for complete search history.

(56) **References Cited**  
U.S. PATENT DOCUMENTS

D499,429 S \* 12/2004 Leasure ..... D15/9  
D536,006 S \* 1/2007 Lacey ..... D15/7  
D536,706 S \* 2/2007 Hopper ..... D15/9

D541,814 S \* 5/2007 Lacey ..... D15/7  
D614,203 S \* 4/2010 Distler ..... D15/7  
D659,720 S \* 5/2012 Lucchi ..... D15/9  
D667,466 S \* 9/2012 Barmore et al. .... D15/7

\* cited by examiner

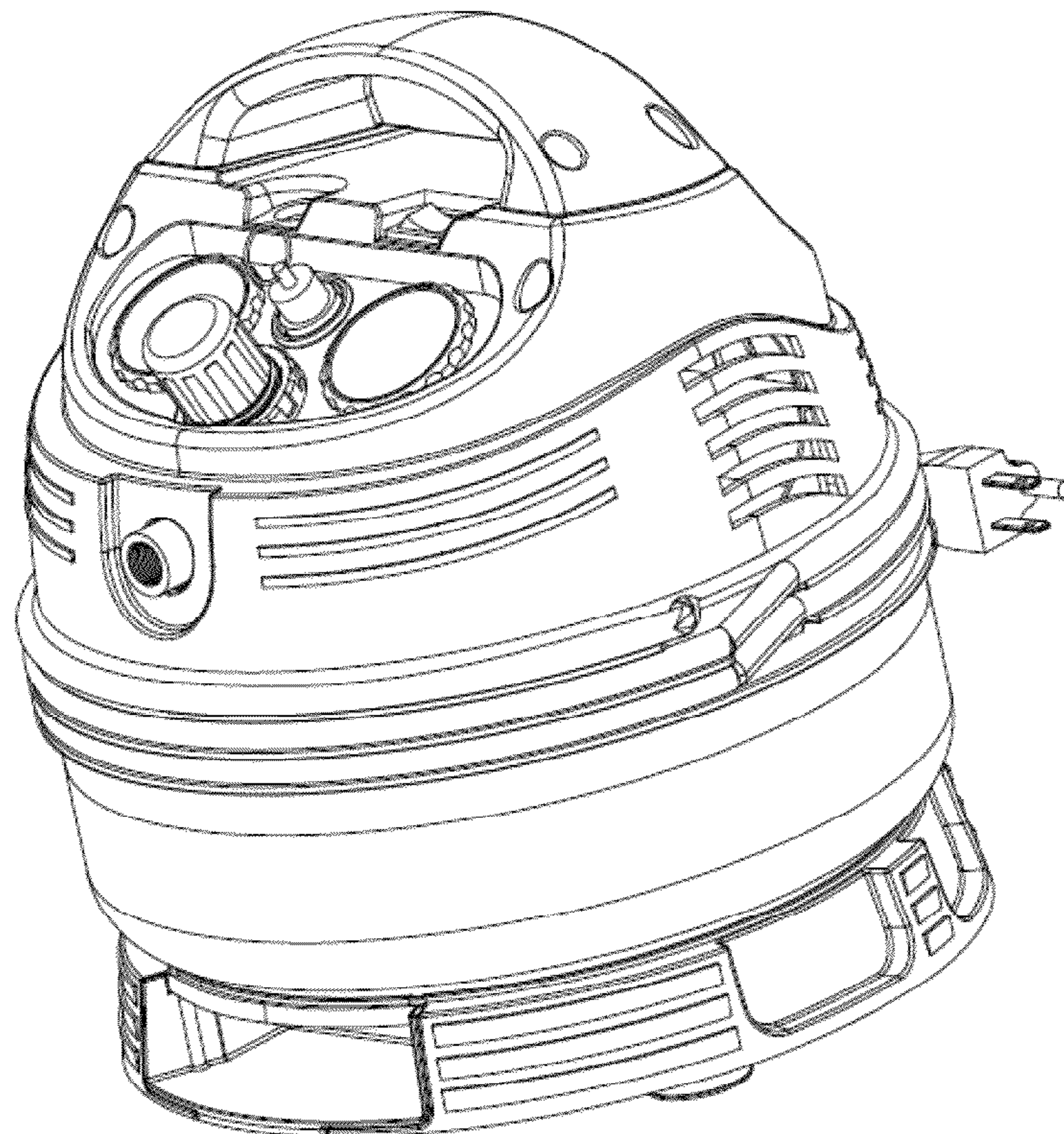
*Primary Examiner* — Ralf Seifert  
(74) *Attorney, Agent, or Firm* — Jackson IPG PLLC

(57) **CLAIM**  
The ornamental design for a tank-type air compressor, as shown and described.

**DESCRIPTION**

FIG. 1 is a front perspective view of a tank-type air compressor showing my new design;  
FIG. 2 is a rear perspective view thereof;  
FIG. 3 is a front elevational view thereof;  
FIG. 4 is a rear elevational view thereof;  
FIG. 5 is a left side elevational view thereof;  
FIG. 6 is a right side elevational view thereof;  
FIG. 7 is a top plan view thereof; and,  
FIG. 8 is a bottom plan view thereof.  
The broken lines in FIGS. 5, 6 and 8 are included for the purpose of illustrating portions of the tank-type air compressor that form no part of the claimed design.

**1 Claim, 4 Drawing Sheets**



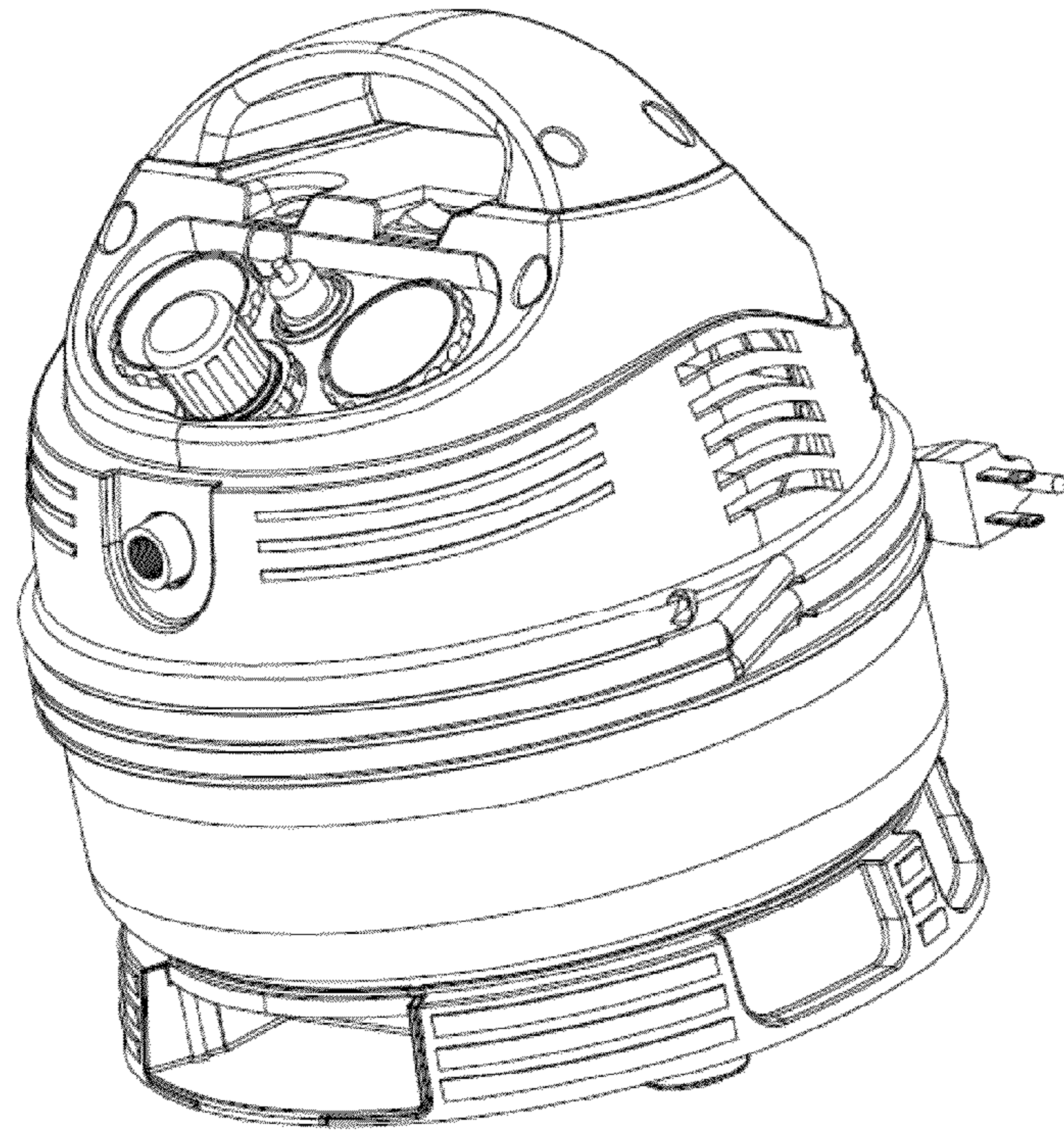


Fig. 1

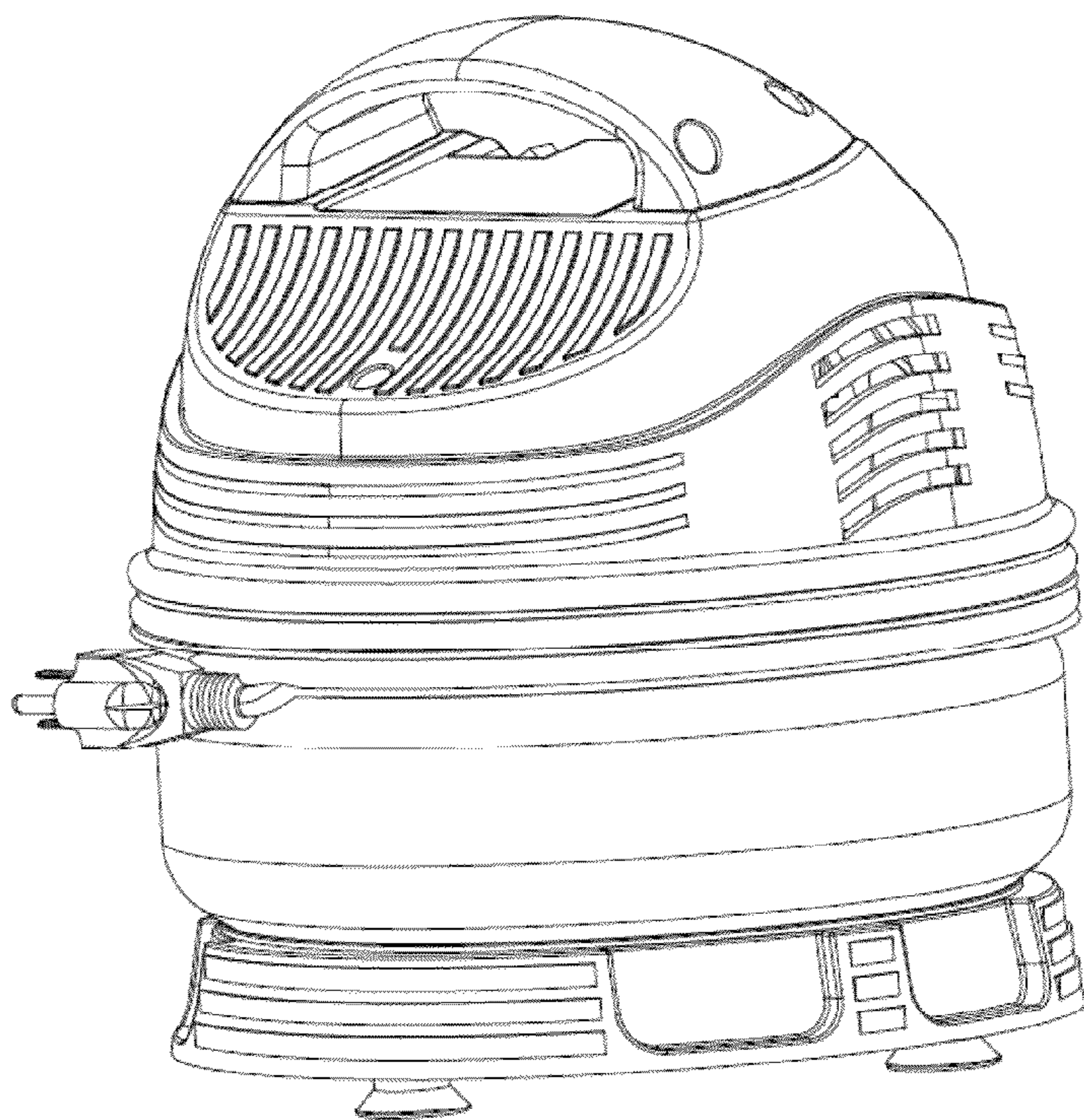


Fig. 2

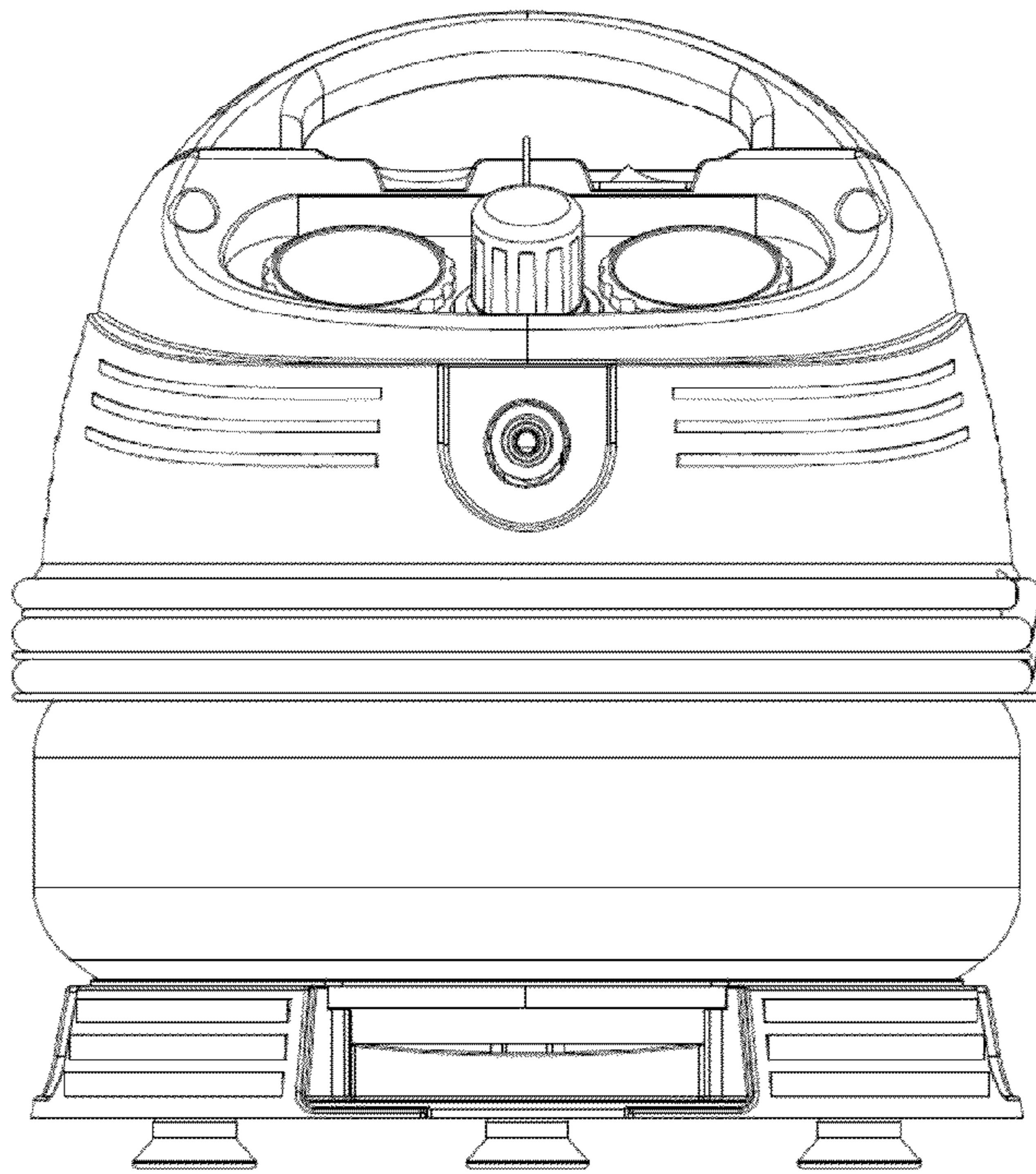


Fig. 3

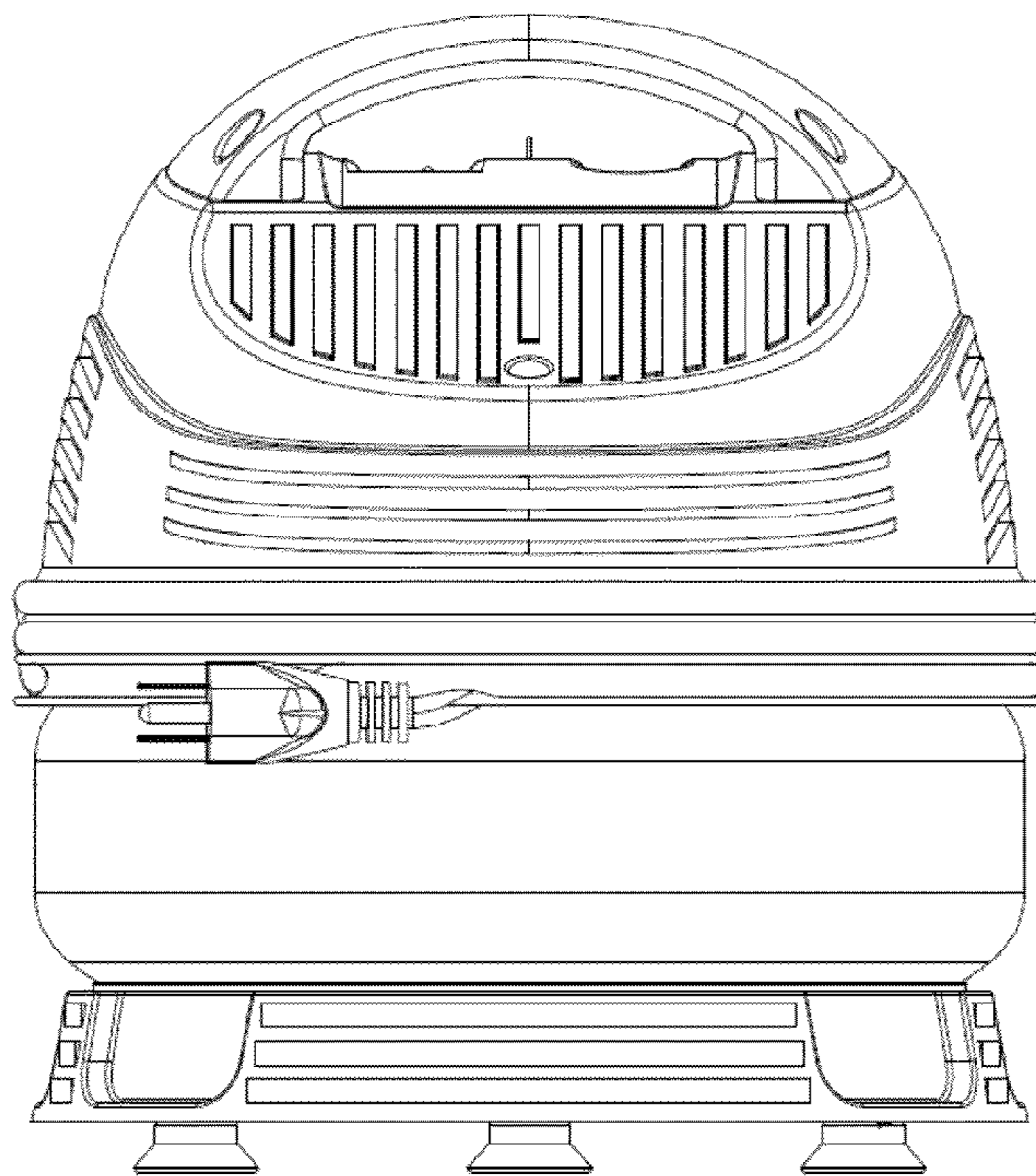


Fig. 4

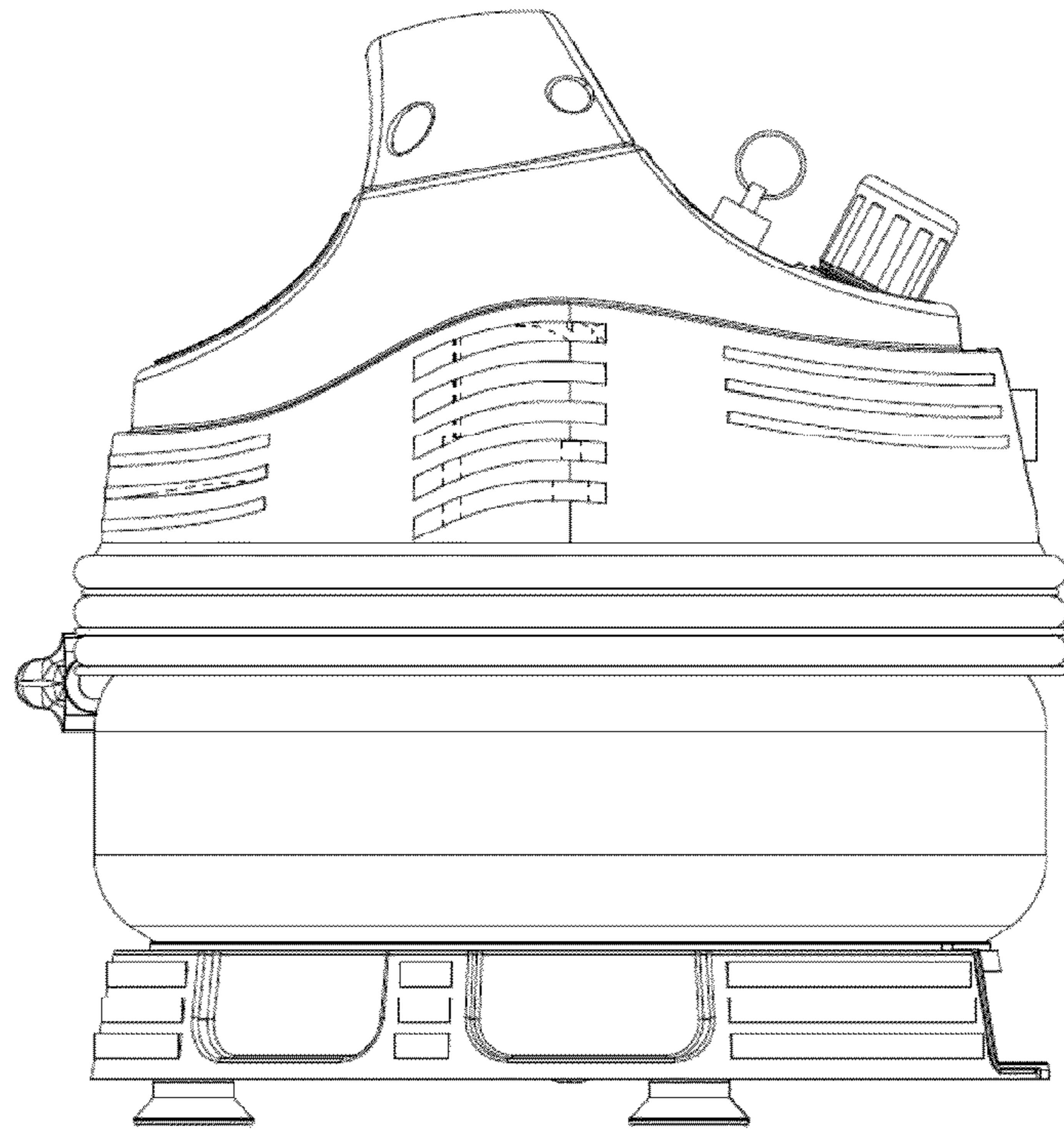


Fig. 5

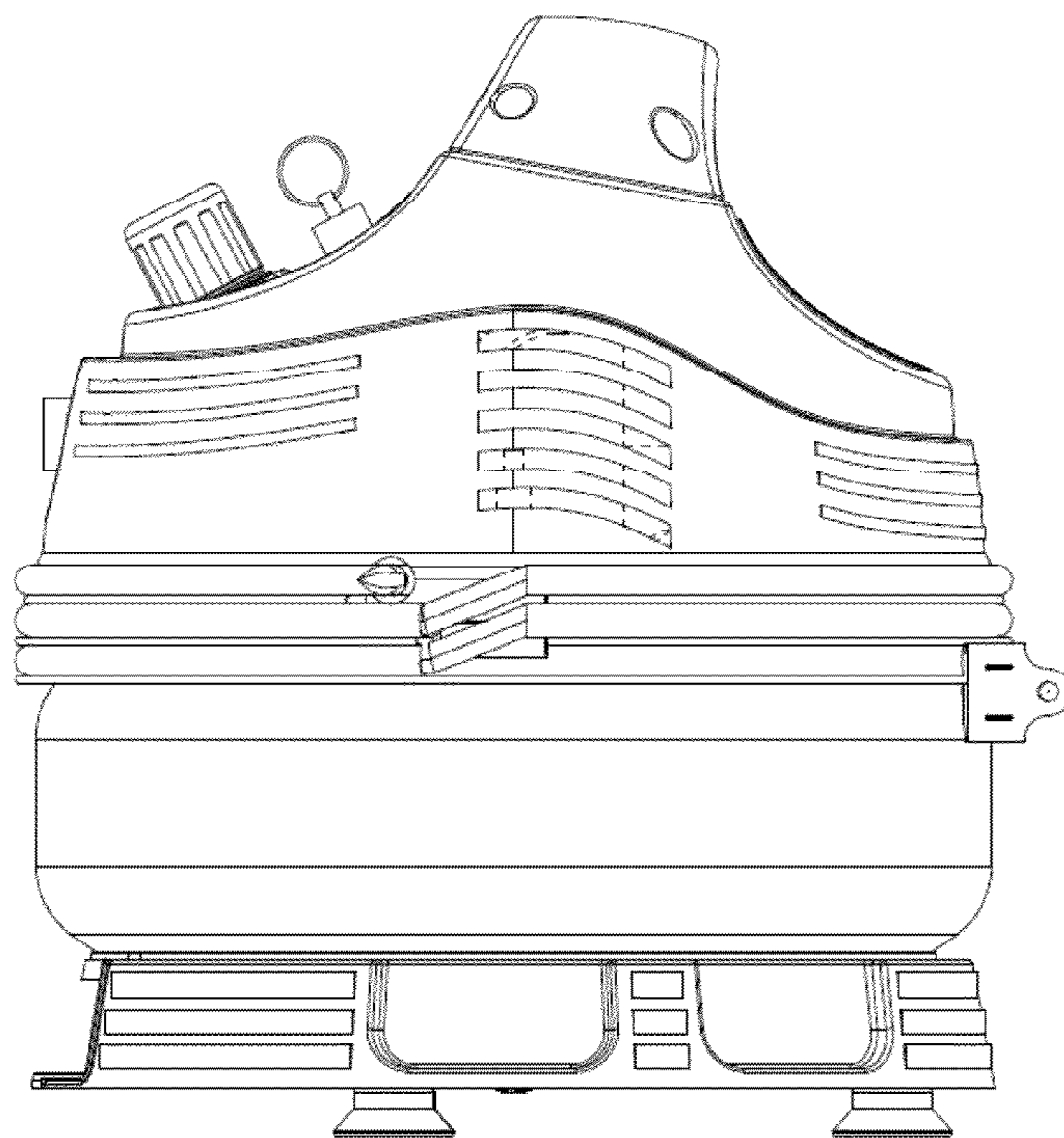


Fig. 6

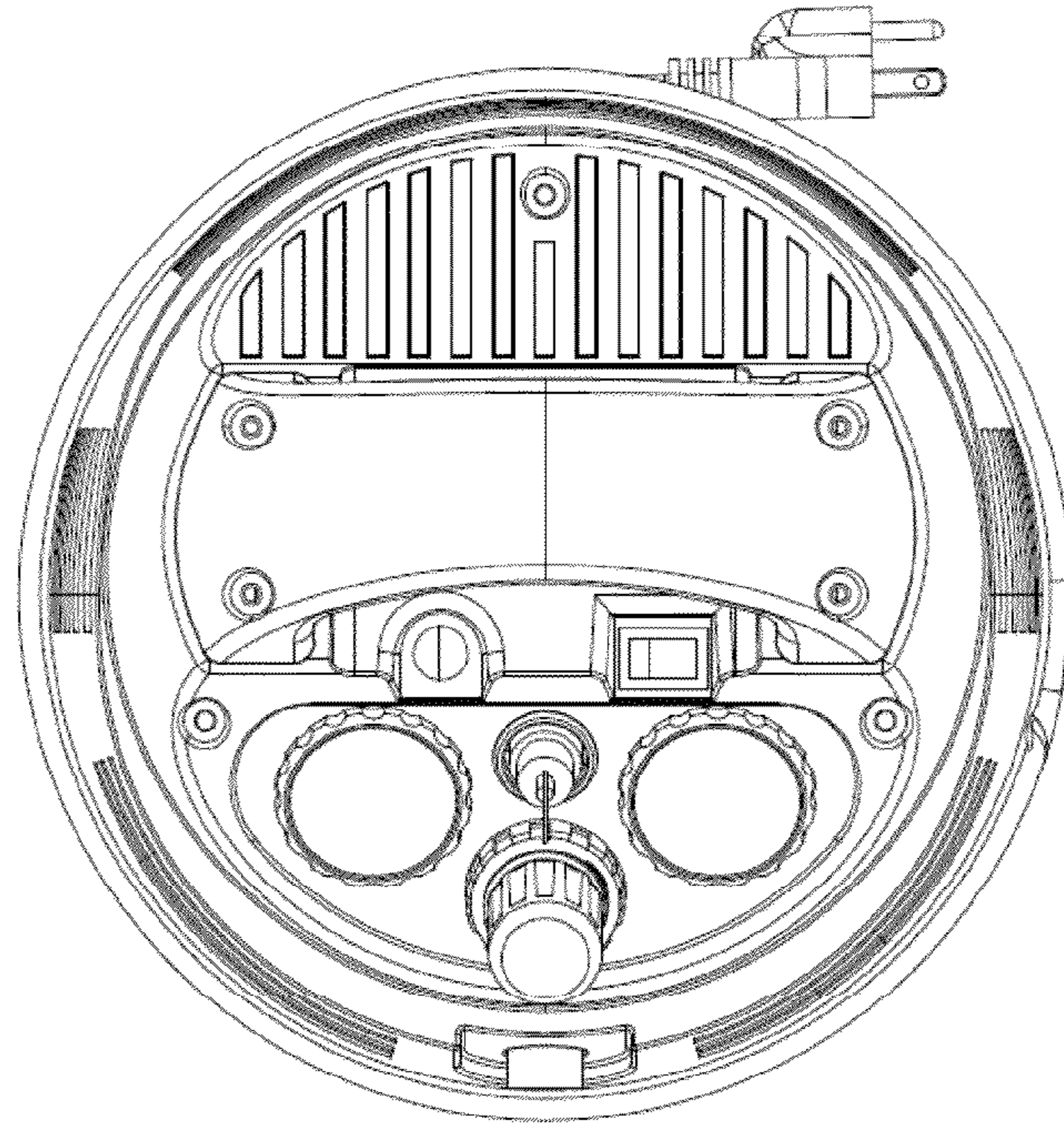


Fig. 7

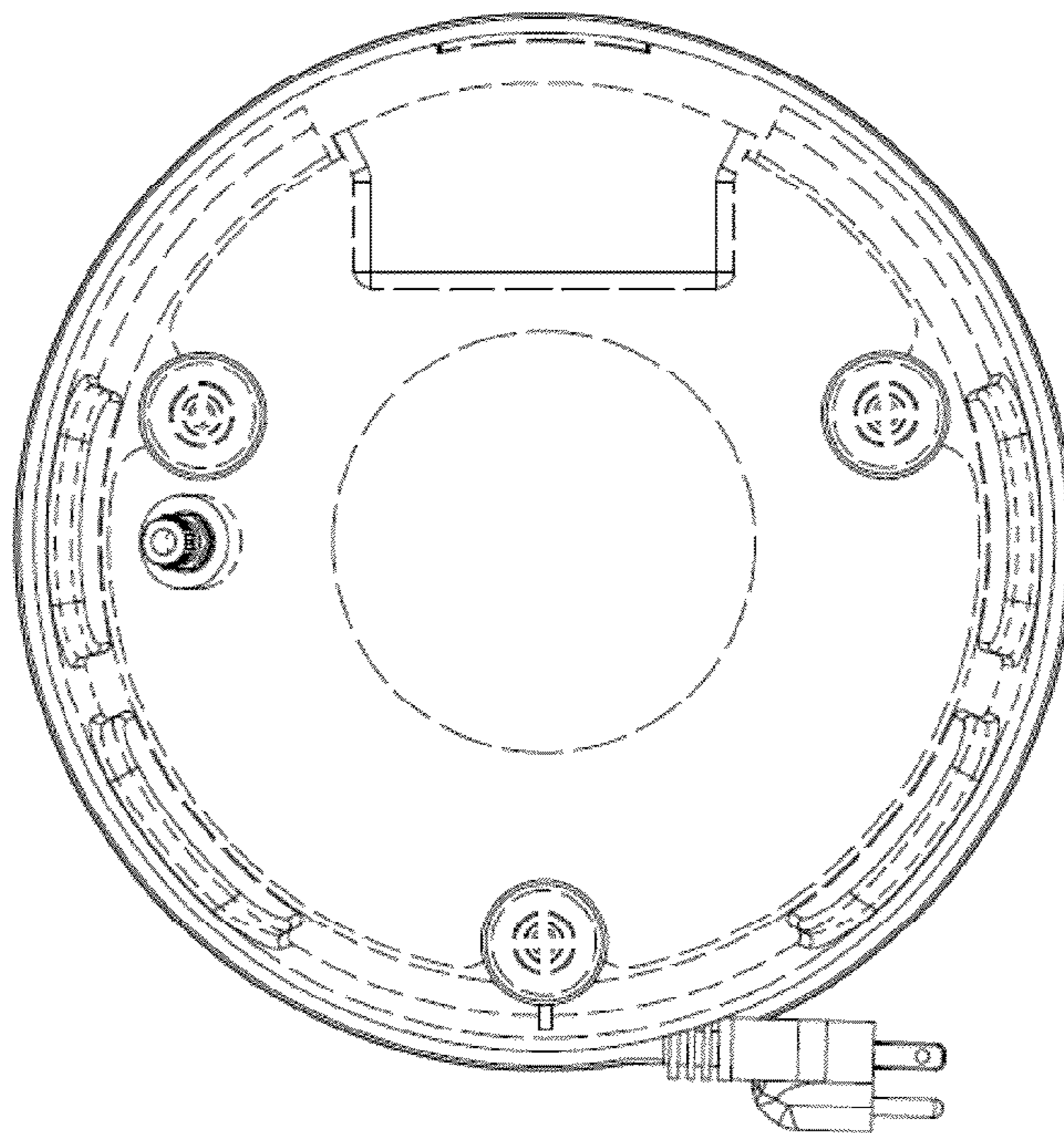


Fig. 8

UNITED STATES PATENT AND TRADEMARK OFFICE  
**CERTIFICATE OF CORRECTION**

PATENT NO. : D718,790 S  
APPLICATION NO. : 29/435965  
DATED : December 2, 2014  
INVENTOR(S) : Ken Yang

Page 1 of 1

It is certified that error appears in the above-identified patent and that said Letters Patent is hereby corrected as shown below:

On the title page, the Assignee names and addresses should be listed as:

--Assignee: Dongguan Richtek Electronics Co., Ltd., Dongguan, Guangdong, China--

Signed and Sealed this  
Eleventh Day of August, 2015



Michelle K. Lee  
*Director of the United States Patent and Trademark Office*