



US00D718789S

(12) **United States Design Patent**
Swanson et al.

(10) **Patent No.:** **US D718,789 S**

(45) **Date of Patent:** **** Dec. 2, 2014**

(54) **ADAPTER FOR A MODULAR VISCOUS FAN CLUTCH SYSTEM**

2007/0023248 A1* 2/2007 Nguyen et al. 192/43
2013/0014617 A1* 1/2013 Kafka 81/125
2013/0199886 A1* 8/2013 Heath et al. 192/104 R

(71) Applicant: **Kit Masters**, Perham, MN (US)

OTHER PUBLICATIONS

(72) Inventors: **Craig Swanson**, Perham, MN (US);
Dale Scherman, Perham, MN (US)

U.S. Appl. No. 29/475,469, filed Dec. 3, 2013, Swanson, et al.
U.S. Appl. No. 29/475,481, filed Dec. 3, 2013, Swanson, et al.
U.S. Appl. No. 29/475,495, filed Dec. 3, 2013, Swanson, et al.
U.S. Appl. No. 29/475,461, filed Dec. 3, 2013, Swanson, et al.

(73) Assignee: **Kit Masters**, Perham, MN (US)

(**) Term: **14 Years**

* cited by examiner

(21) Appl. No.: **29/475,478**

Primary Examiner — T. Chase Nelson

Assistant Examiner — Ania Aman

(22) Filed: **Dec. 3, 2013**

(74) *Attorney, Agent, or Firm* — Oblon, Spivak,
McClelland, Maier & Neustadt, L.L.P.

Related U.S. Application Data

(63) Continuation of application No. 13/843,703, filed on
Mar. 15, 2013, now Pat. No. 8,745,867.

(51) **LOC (10) Cl.** **15-01**

(52) **U.S. Cl.**

USPC **D15/5**

(58) **Field of Classification Search**

USPC D15/1-6; D8/330, 331, 382, 387, 396;
123/41.12; 192/82 T, 84 C, 58.61, 58.8;
476/11; 29/592.1, 889.1, 889.3,
29/402.09, 804.08, 402.12, 402.14, 469,
29/428; 74/325

See application file for complete search history.

(56) **References Cited**

U.S. PATENT DOCUMENTS

D311,131 S * 10/1990 Saito D8/397
7,165,514 B2 * 1/2007 Bowman et al. 123/41.12
2004/0110594 A1 * 6/2004 Goto 475/150

(57) **CLAIM**

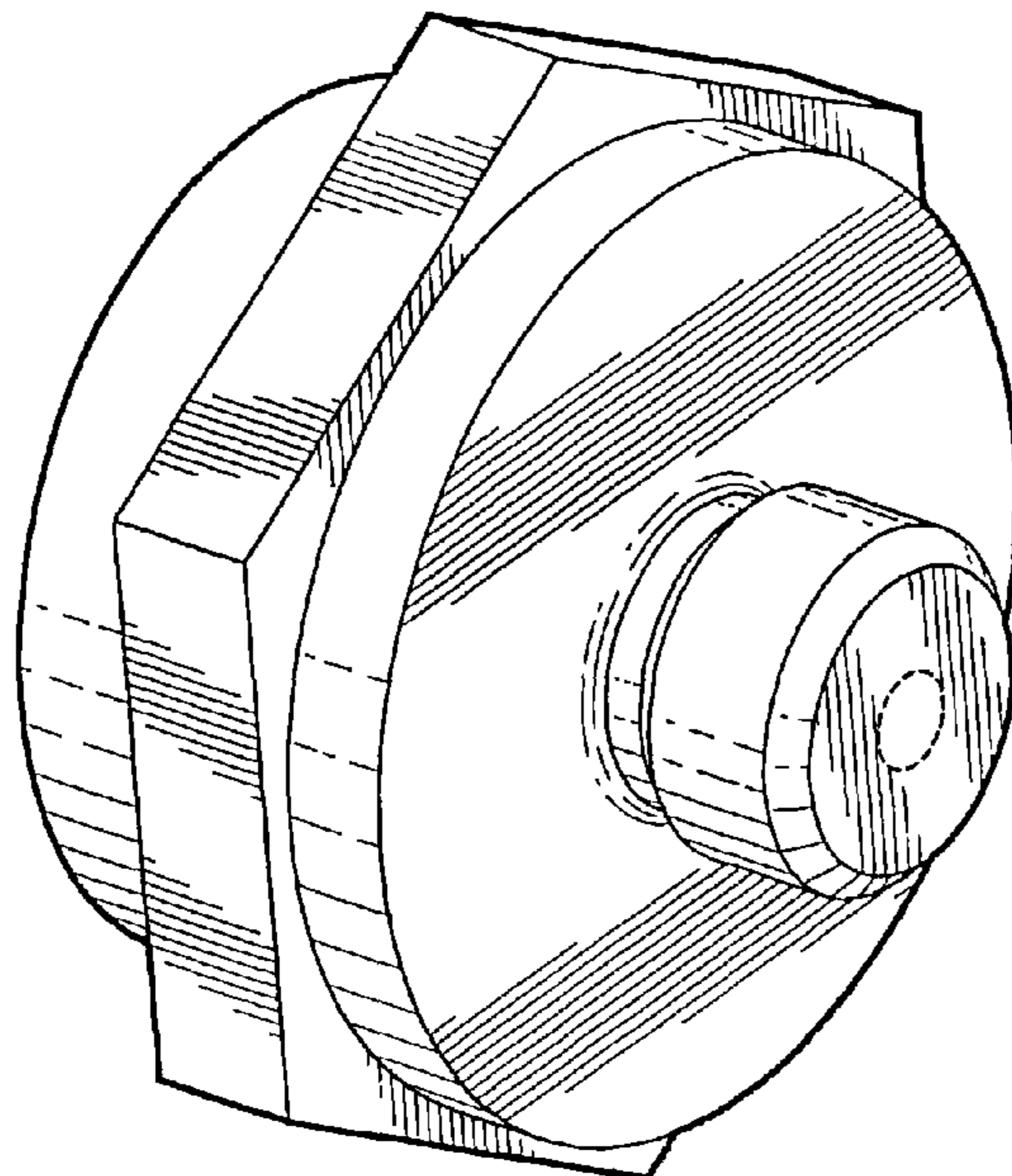
The ornamental design for an adapter for a modular viscous fan clutch system, as shown and described.

DESCRIPTION

FIG. 1 is a perspective view of an adapter for a modular viscous fan clutch system;
FIG. 2 is a front elevational view thereof;
FIG. 3 is a rear elevational view thereof;
FIG. 4 is a left side elevational view thereof, the right side elevational view thereof being a mirror image of the left side elevational view;
FIG. 5 is a top plan view thereof, the bottom plan view thereof being a mirror image of the top plan view; and,
FIG. 6 is a cross-sectional view thereof along the line 6-6 in FIG. 2.

The broken lines in the drawings depict environmental subject matter only and form no part of the claimed design.

1 Claim, 6 Drawing Sheets



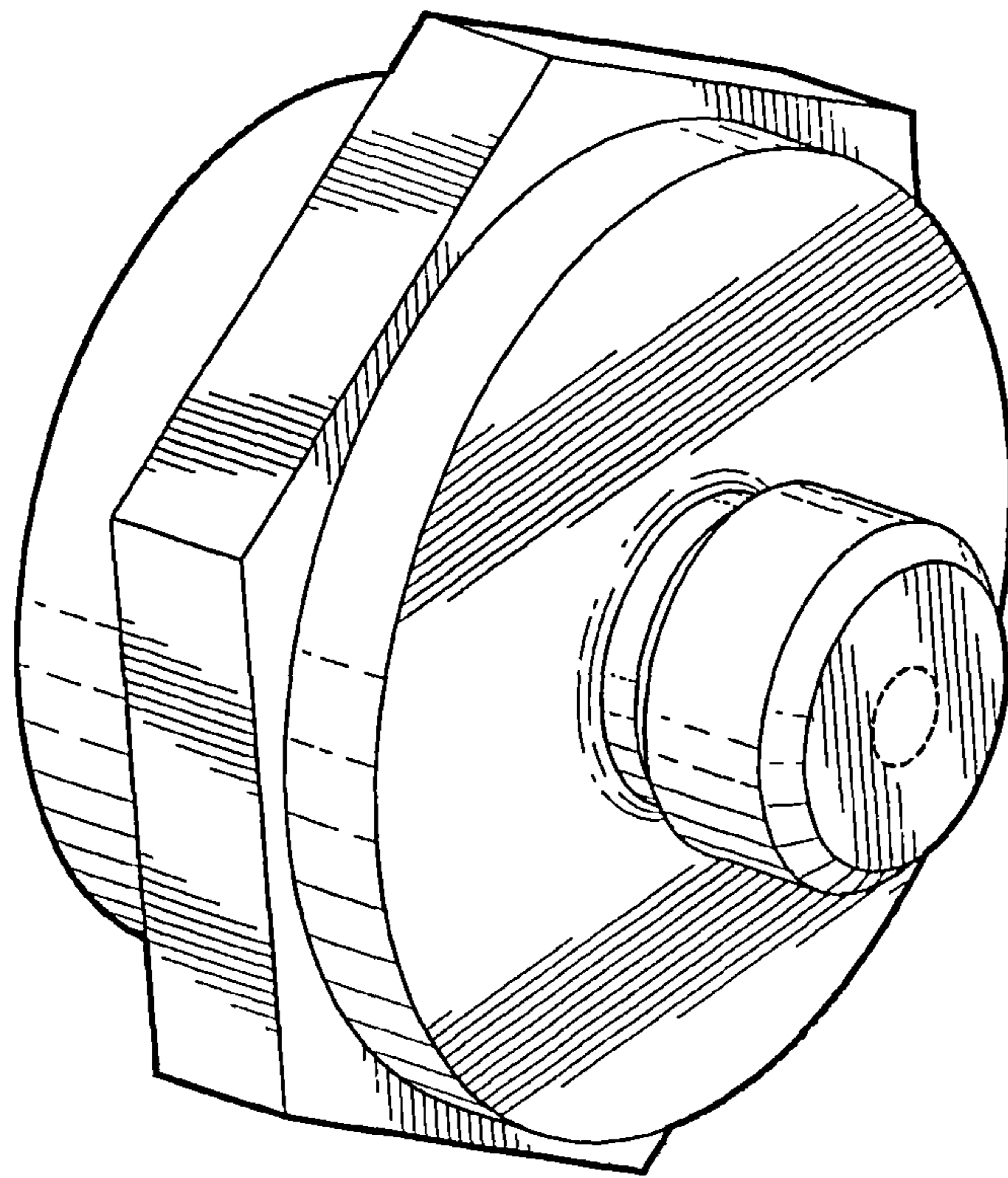


Fig. 1

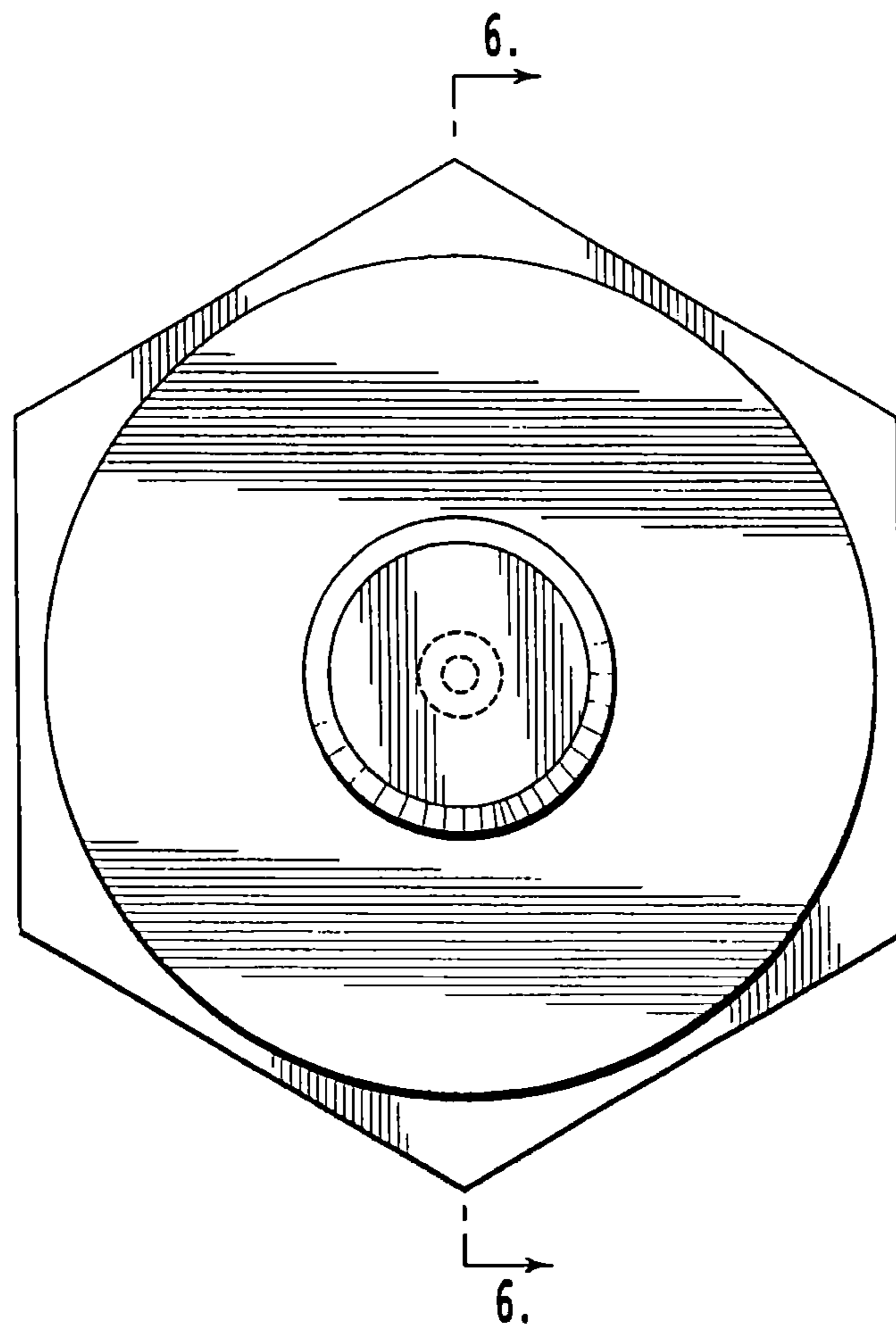


Fig. 2

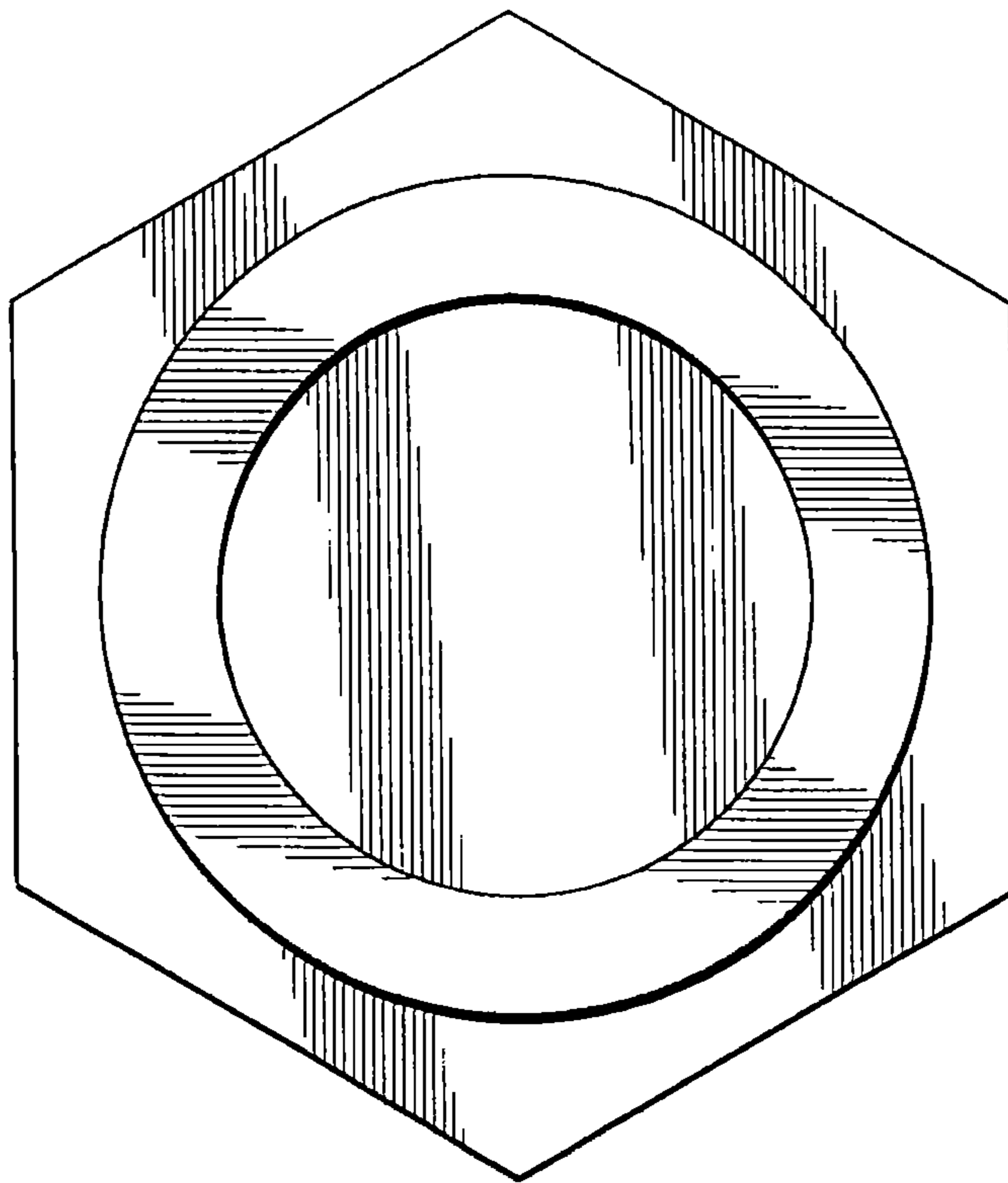


Fig. 3

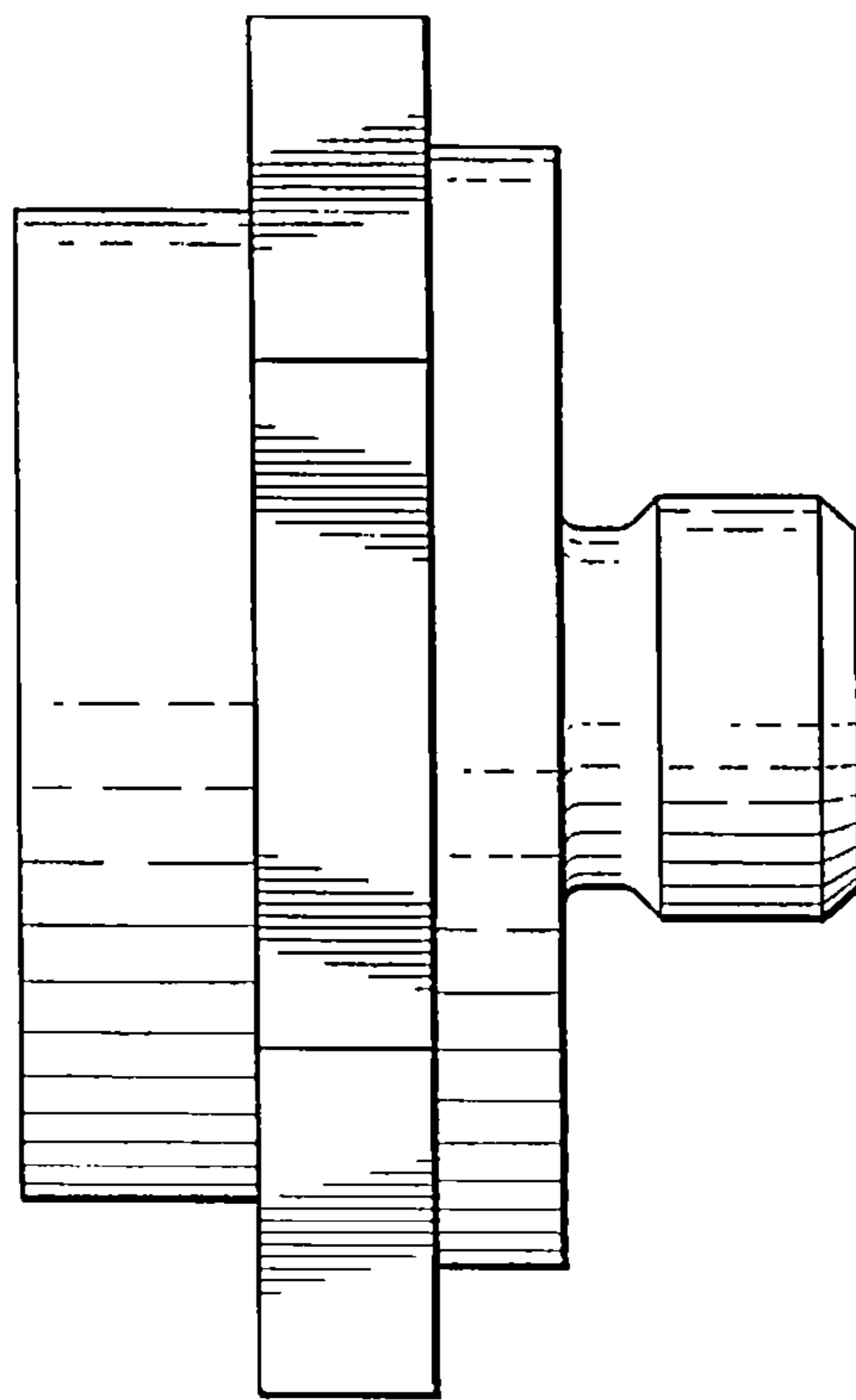


Fig. 4

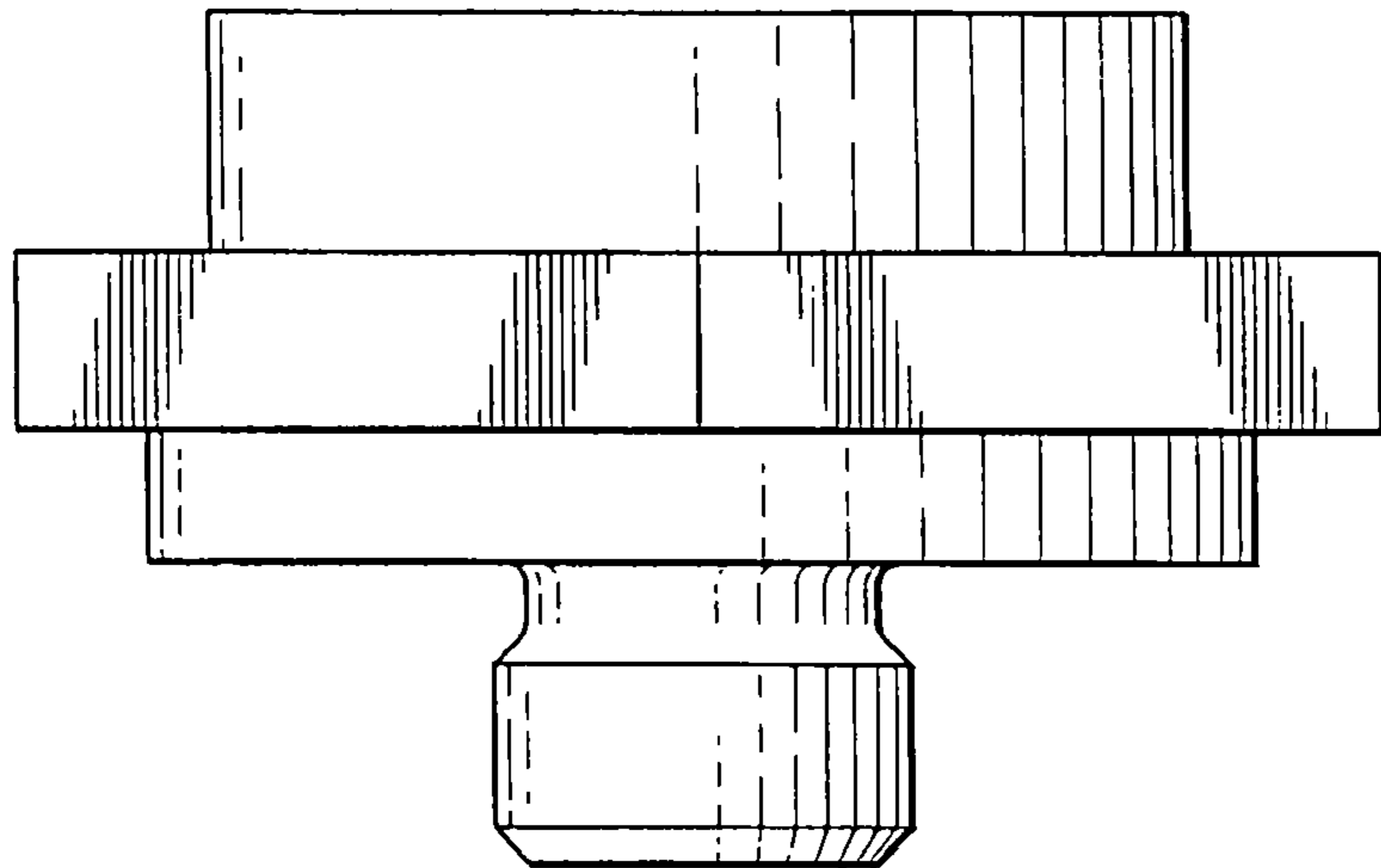


Fig. 5

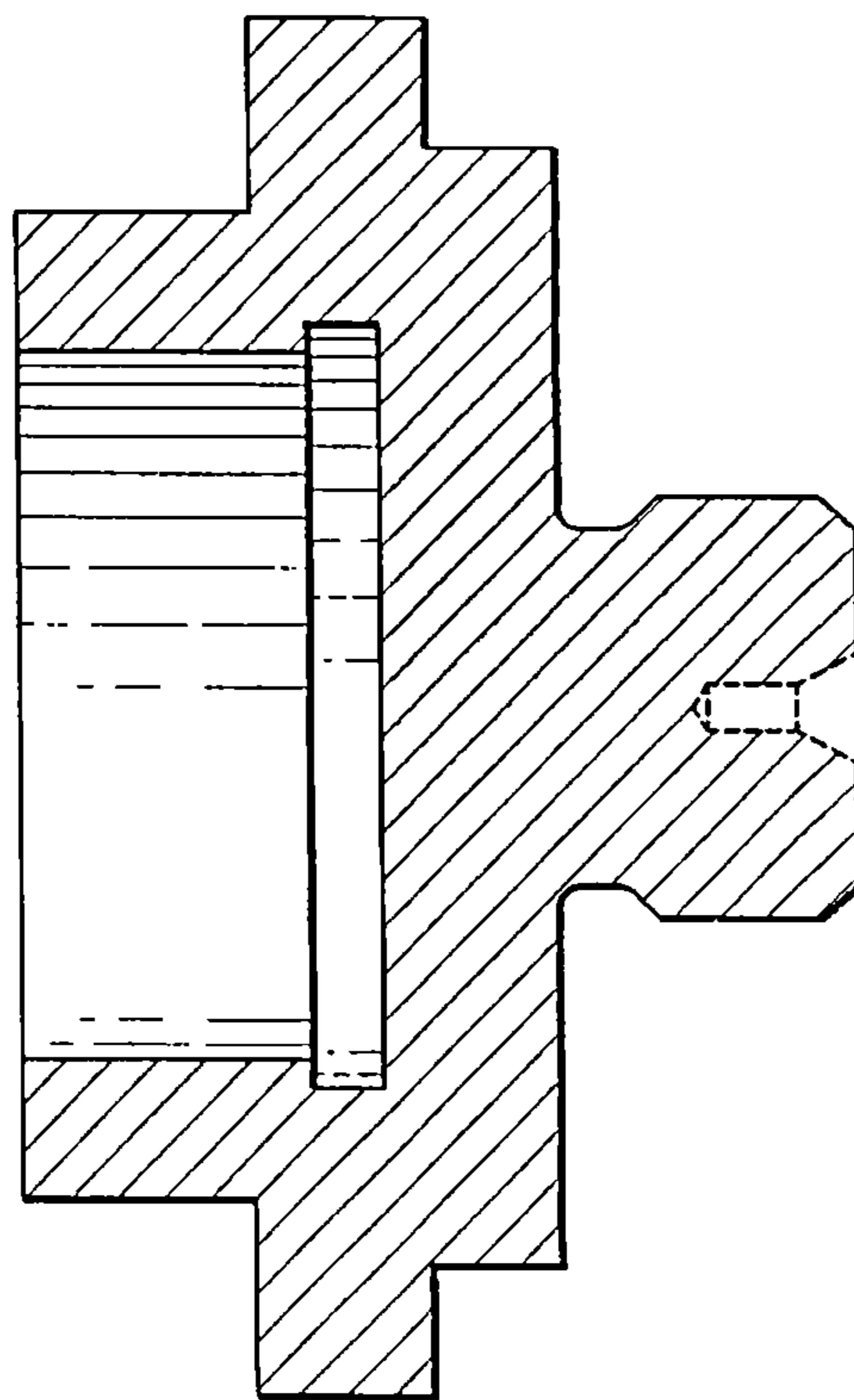


Fig. 6

UNITED STATES PATENT AND TRADEMARK OFFICE
CERTIFICATE OF CORRECTION

PATENT NO. : D718,789 S
APPLICATION NO. : 29/475478
DATED : December 2, 2014
INVENTOR(S) : Craig Swanson et al.

Page 1 of 1

It is certified that error appears in the above-identified patent and that said Letters Patent is hereby corrected as shown below:

On the title page, Item (63), the Related U.S. Application Data Information is incorrect. Item (63) should read:

--Related U.S. Application Data

- (63) Continuation of application No. 13/843,703, filed on Mar. 15, 2013, now Pat. No. 8,745,867, which claims benefit of 61/752,067 filed on Jan. 14, 2013 and claims benefit of 61/754,728, filed on Jan. 21, 2013--

Signed and Sealed this
Twenty-first Day of April, 2015



Michelle K. Lee
Director of the United States Patent and Trademark Office