



US00D718787S

(12) **United States Design Patent**  
**Swanson et al.**

(10) **Patent No.:** **US D718,787 S**  
(45) **Date of Patent:** **\*\* Dec. 2, 2014**

(54) **ADAPTER FOR A MODULAR VISCOUS FAN CLUTCH SYSTEM**

(71) Applicant: **Kit Masters**, Perham, MN (US)

(72) Inventors: **Craig Swanson**, Perham, MN (US);  
**Dale Scherman**, Perham, MN (US)

(73) Assignee: **Kit Masters**, Perham, MN (US)

(\*\*) Term: **14 Years**

(21) Appl. No.: **29/467,161**

(22) Filed: **Sep. 16, 2013**

**Related U.S. Application Data**

(63) Continuation of application No. 13/843,703, filed on Mar. 15, 2013.

(51) **LOC (10) Cl.** ..... **15-01**

(52) **U.S. Cl.**  
USPC ..... **D15/5**

(58) **Field of Classification Search**

USPC ..... D15/1-6; D8/330, 331, 382, 387, 396;  
123/41.12; 192/82 T, 84 C, 58.61, 58.8;  
476/11; 29/592.1, 889.1, 889.3,  
29/402.09, 804.08, 402.12, 402.14, 469,  
29/428; 74/325

See application file for complete search history.

(56) **References Cited**

**U.S. PATENT DOCUMENTS**

D311,131 S \* 10/1990 Saito ..... D8/397  
7,165,514 B2 \* 1/2007 Bowman et al. .... 123/41.12  
2004/0110594 A1 \* 6/2004 Goto ..... 475/150  
2007/0023248 A1 \* 2/2007 Nguyen et al. .... 192/43  
2013/0014617 A1 \* 1/2013 Kafka ..... 81/125  
2013/0199886 A1 \* 8/2013 Heath et al. .... 192/104 R

**OTHER PUBLICATIONS**

U.S. Appl. No. 29/467,160, filed Sep. 16, 2013, Swanson, et al.  
U.S. Appl. No. 29/467,163, filed Sep. 16, 2013, Swanson, et al.  
U.S. Appl. No. 29/467,162, filed Sep. 16, 2013, Swanson, et al.  
U.S. Appl. No. 29/467,165, filed Sep. 16, 2013, Swanson, et al.  
U.S. Appl. No. 29/467,164, filed Sep. 16, 2013, Swanson, et al.  
U.S. Appl. No. 29/467,167, filed Sep. 16, 2013, Swanson, et al.  
U.S. Appl. No. 29/467,156, filed Sep. 16, 2013, Swanson, et al.  
U.S. Appl. No. 29/467,151, filed Sep. 16, 2013, Swanson, et al.  
U.S. Appl. No. 29/467,154, filed Sep. 16, 2013, Swanson, et al.

\* cited by examiner

*Primary Examiner* — T. Chase Nelson

*Assistant Examiner* — Ania Aman

(74) *Attorney, Agent, or Firm* — Oblon, Spivak, McClelland, Maier & Neustadt, L.L.P.

(57) **CLAIM**

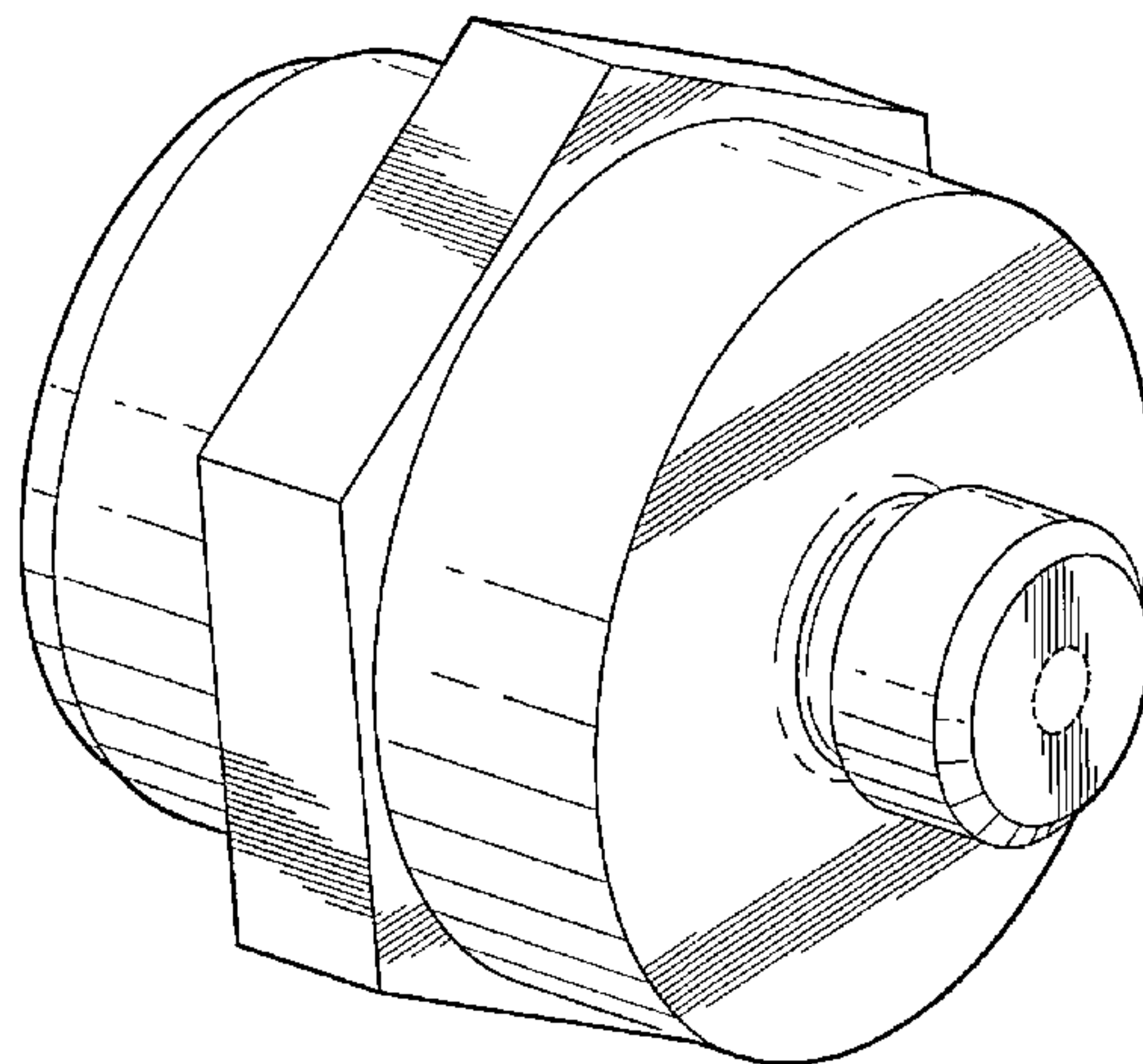
The ornamental design for an adapter for a modular viscous fan clutch system, as shown and described.

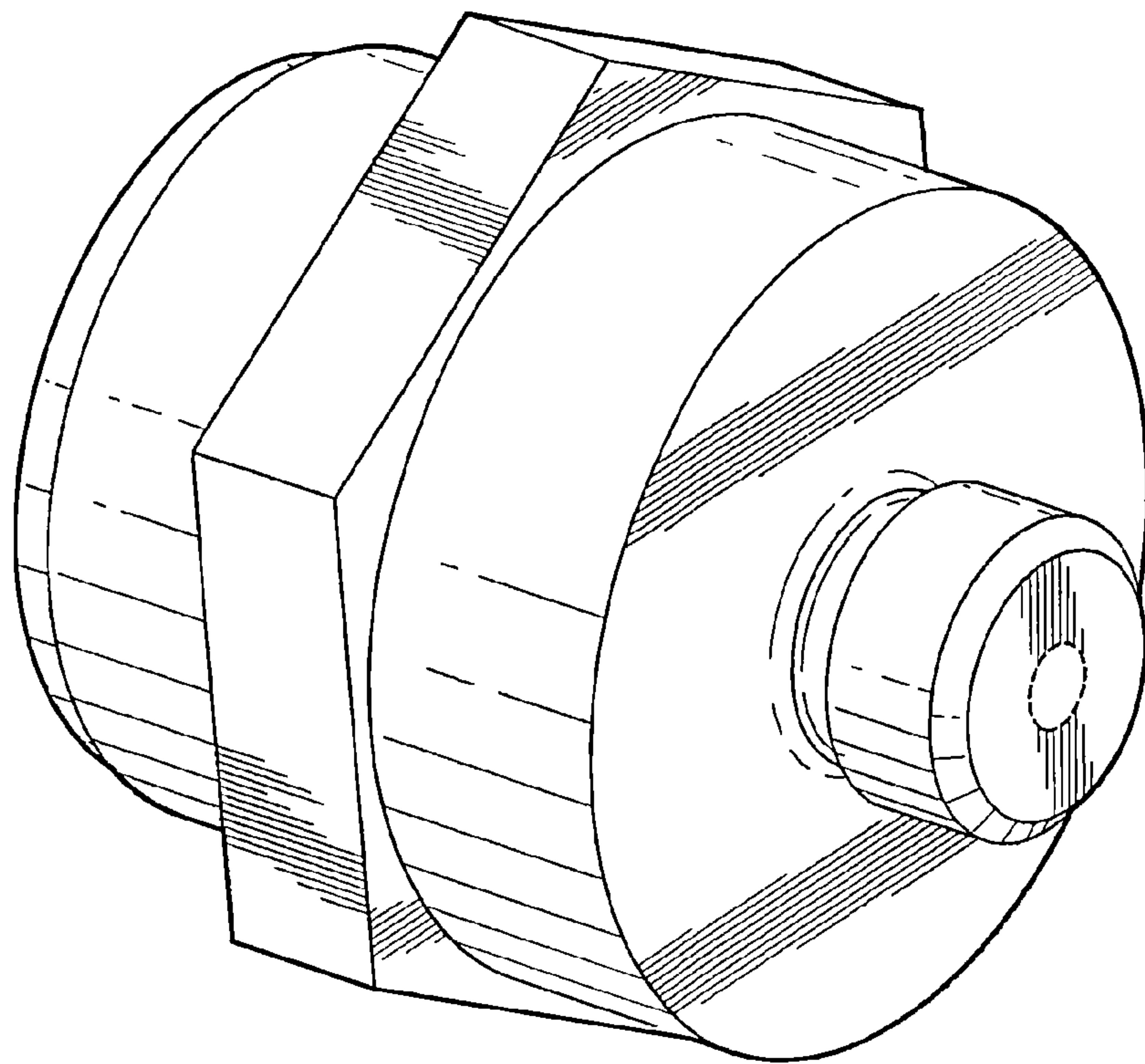
**DESCRIPTION**

FIG. 1 is a perspective view of an adapter for a modular viscous fan clutch system;  
FIG. 2 is a front elevational view thereof;  
FIG. 3 is a rear elevational view thereof;  
FIG. 4 is a left side elevational view thereof, the right side elevational view thereof being a mirror image of the left side elevational view;  
FIG. 5 is a top plan view thereof, the bottom plan view thereof being a mirror image of the top plan view; and,  
FIG. 6 is a cross-sectional view thereof along the line 6-6 in FIG. 2.

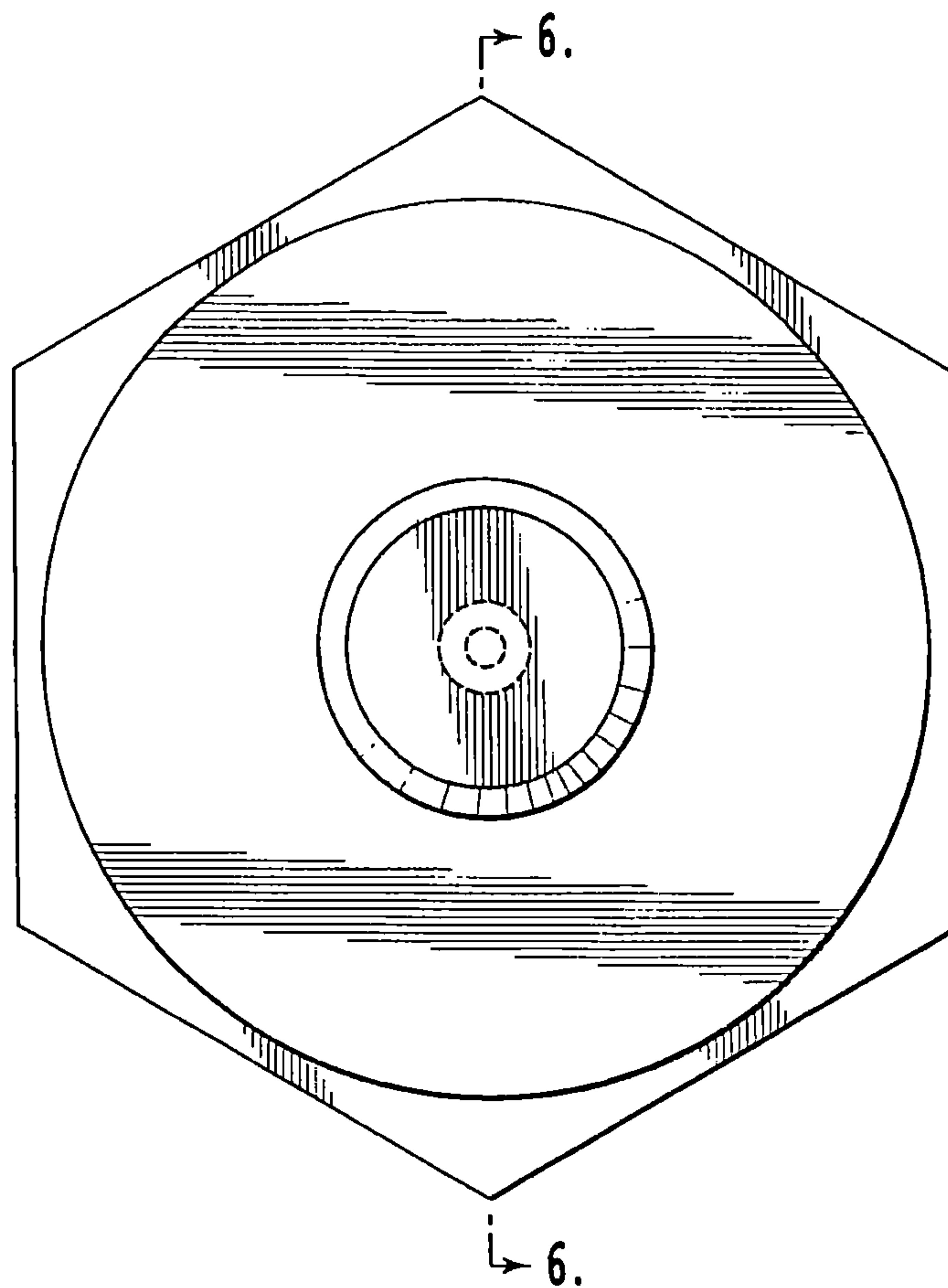
The broken lines in the drawings depict environmental subject matter only and form no part of the claimed design.

**1 Claim, 6 Drawing Sheets**

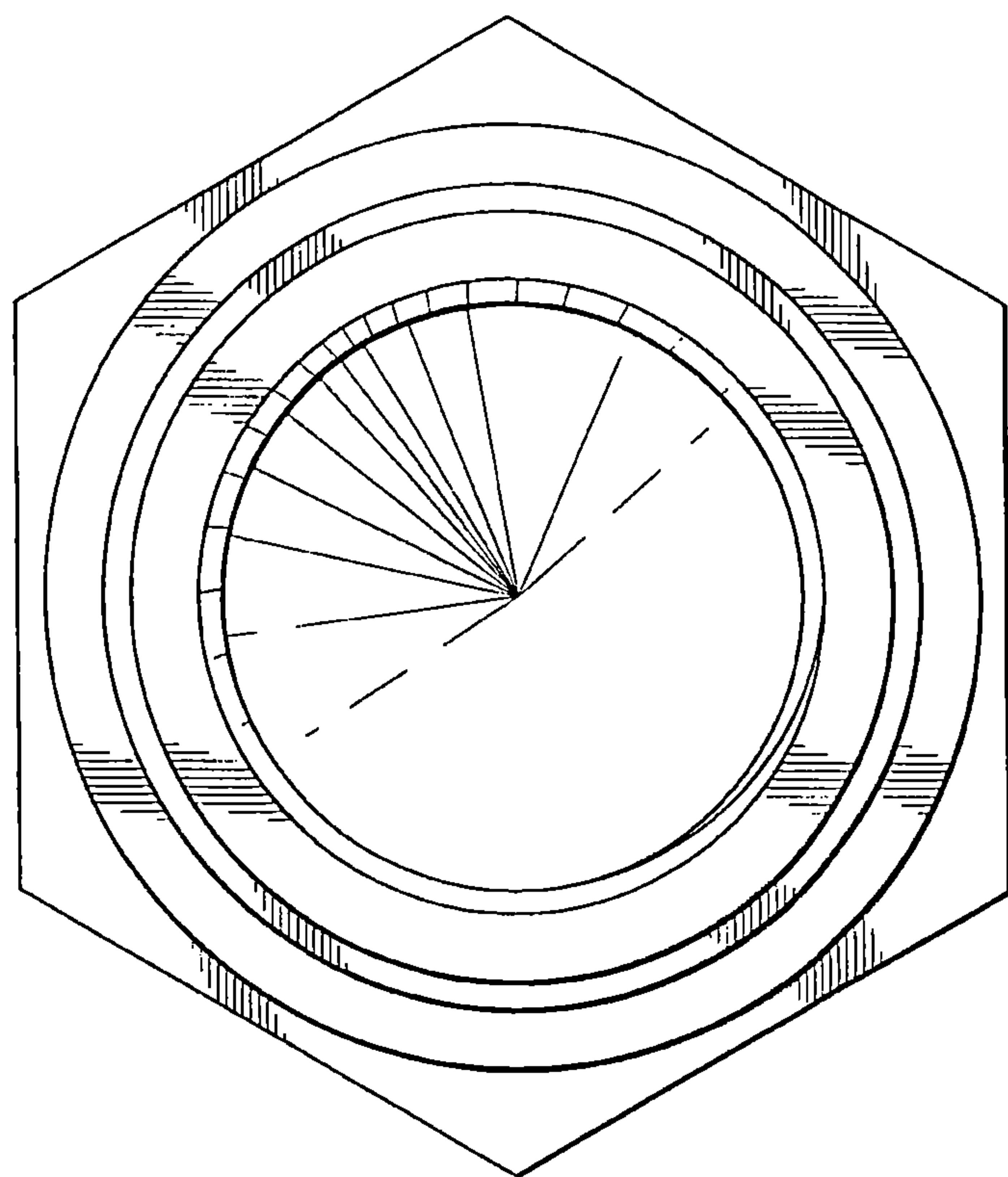




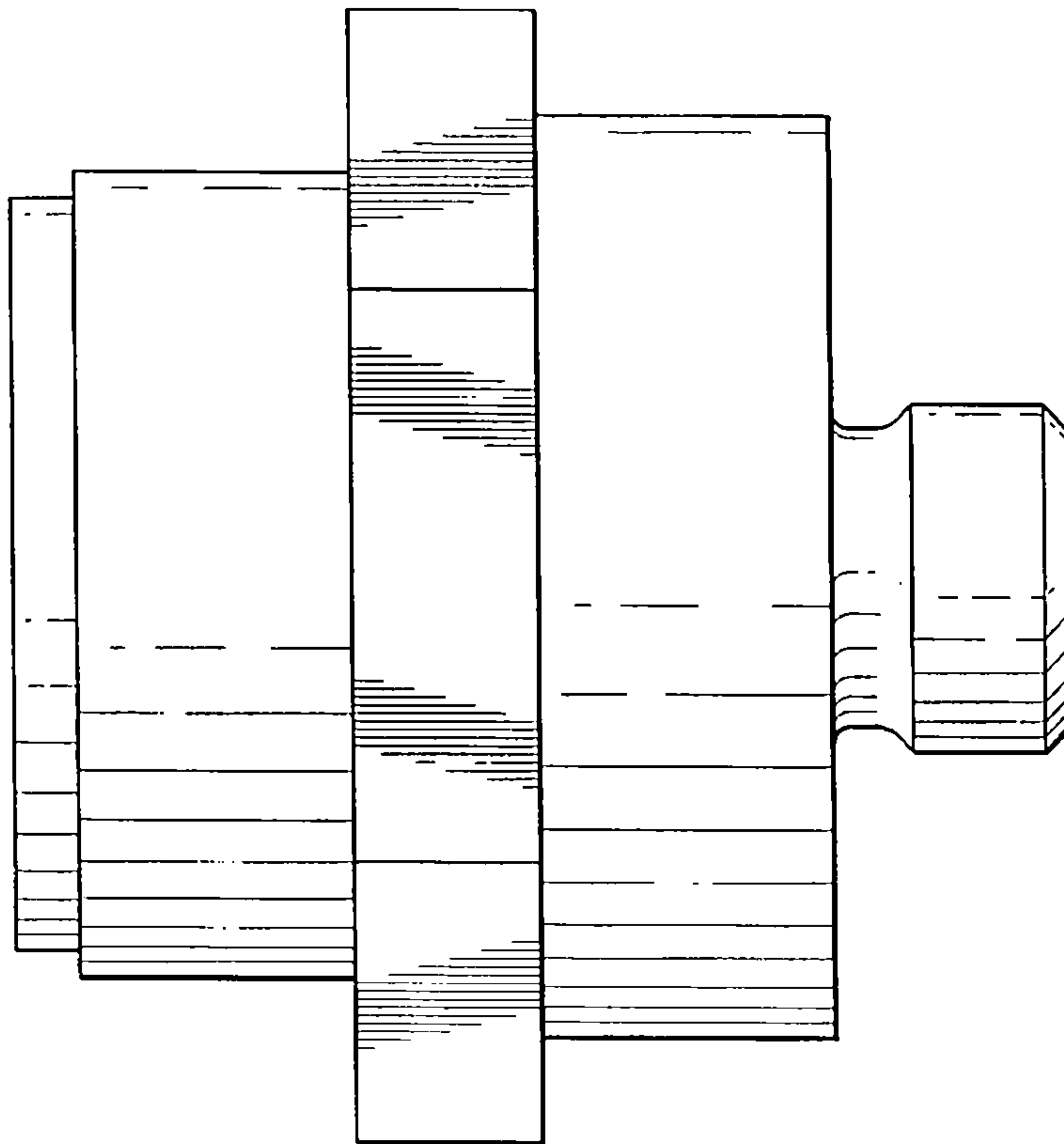
*Fig. 1*



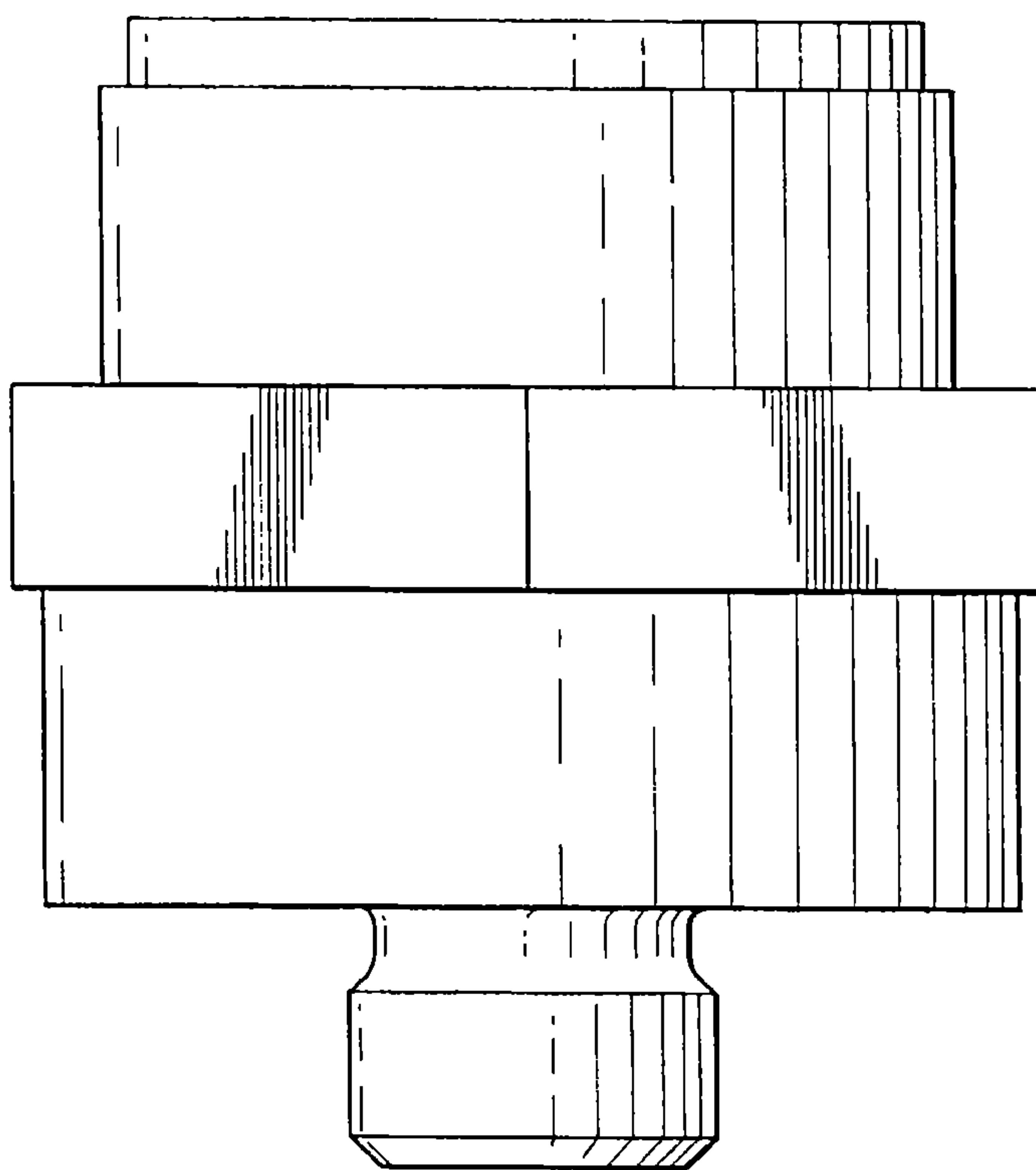
***Fig. 2***



*Fig 3*

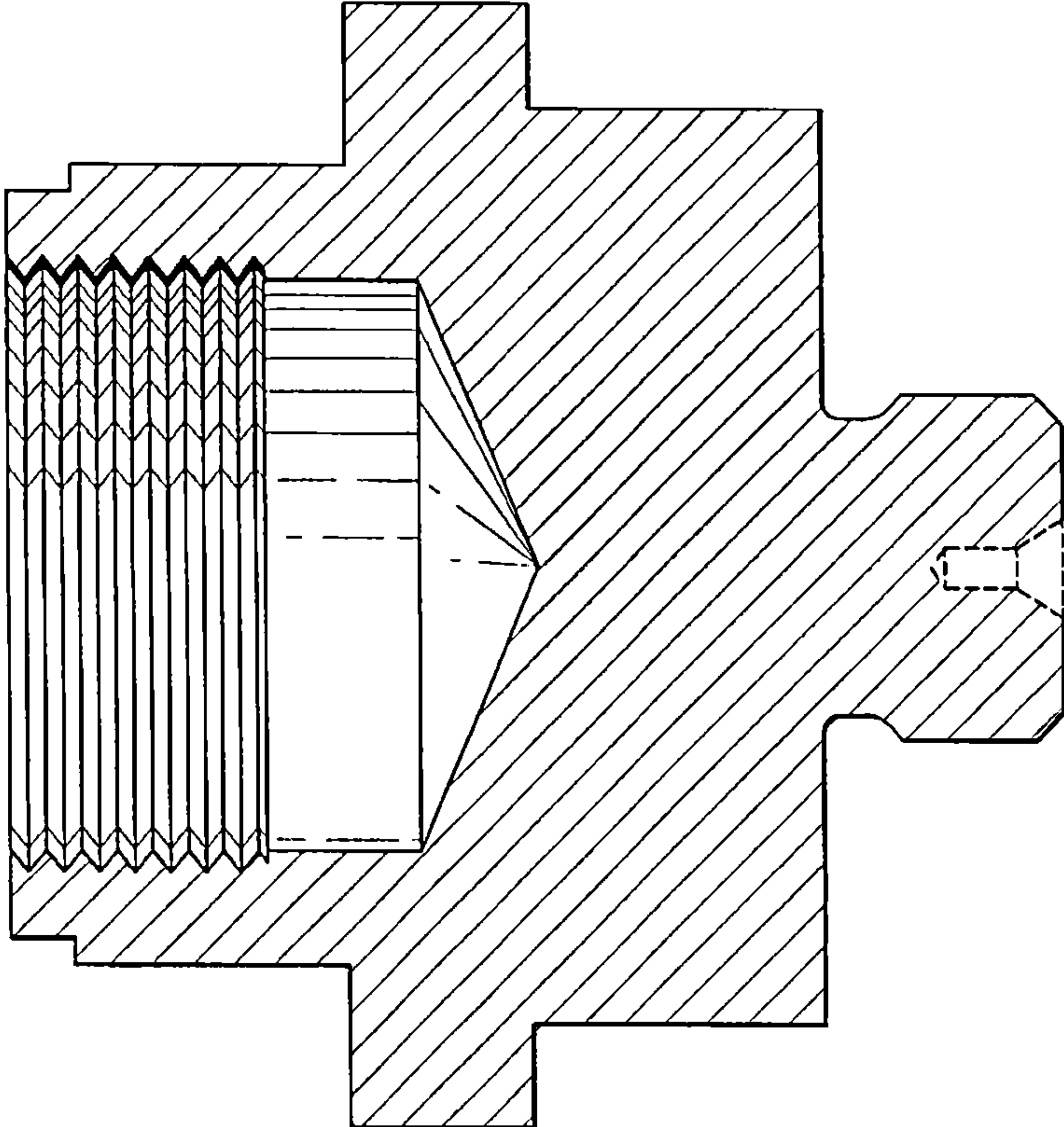


*Fig. 4*



*Fig. 5*





*Fig. 6*