



US00D718785S

(12) **United States Design Patent**
Bang et al.

(10) **Patent No.:** **US D718,785 S**

(45) **Date of Patent:** **** Dec. 2, 2014**

(54) **PORTABLE AUDIO DEVICE**

(56) **References Cited**

(71) Applicant: **Samsung Electronics Co., Ltd.**,
Suwon-Si, Gyeonggi-Do (KR)

U.S. PATENT DOCUMENTS

(72) Inventors: **Sungil Bang**, Seoul (KR); **Son Chae Joo**, Seoul (KR); **Jae Neung Lee**, Ansan-si (KR)

5,664,292	A *	9/1997	Chen	24/3.11
5,825,408	A *	10/1998	Yuyama et al.	348/14.01
5,914,707	A *	6/1999	Kono	345/173
6,565,444	B2 *	5/2003	Nagata et al.	463/46
D491,911	S *	6/2004	Jung	D14/203.7
D504,409	S *	4/2005	Kim	D14/203.3
D532,426	S *	11/2006	Lee et al.	D14/203.3
D546,347	S *	7/2007	Millora	D14/496
D552,127	S *	10/2007	Song	D14/496
D615,556	S *	5/2010	Yeo et al.	D14/496
D631,485	S *	1/2011	Hibino	D14/496
D639,773	S *	6/2011	Kang	D14/203.7

(73) Assignee: **Samsung Electronics Co., Ltd.**,
Gyeonggi-do (KR)

(**) Term: **14 Years**

* cited by examiner

(21) Appl. No.: **29/466,956**

Primary Examiner — Prabhakar Deshmukh

(22) Filed: **Sep. 13, 2013**

(74) *Attorney, Agent, or Firm* — Harness, Dickey & Pierce

(30) **Foreign Application Priority Data**

(57) **CLAIM**

Mar. 13, 2013 (KR) 30-2013-0012812

The ornamental design for a portable audio device, as shown and described.

(51) **LOC (10) Cl.** **14-03**

DESCRIPTION

(52) **U.S. Cl.**
USPC **D14/496**; D14/203.1

(58) **Field of Classification Search**
CPC . A63F 13/00; A63F 11/00; A63F 2300/8047;
G06F 17/00
USPC D14/496, 401, 435, 474, 483, 217, 137,
D14/138, 160, 168, 356, 203.1–203.8, 507;
345/156, 169, 173–179, 905;
715/727–729, 864; 710/1, 5, 8; 713/1,
713/600; 455/1.1, 1.7, 73, 344–347, 93, 95,
455/3.01–3.06, 550.1, 573.1; 370/342–344;
369/1, 2, 6–12; 463/43–47; 273/148 B

FIG. 1 is a front perspective view of a portable audio device showing our new design;
FIG. 2 is a front view thereof;
FIG. 3 is a rear view thereof;
FIG. 4 is a left-side view thereof;
FIG. 5 is a right-side view thereof;
FIG. 6 is a top view thereof; and,
FIG. 7 is a bottom view thereof.

The broken dash dot lines indicate the boundary of the claimed design and form no part of the claimed design. Other broken lines indicate unclaimed portions and form no part of the claimed design.

See application file for complete search history.

1 Claim, 7 Drawing Sheets

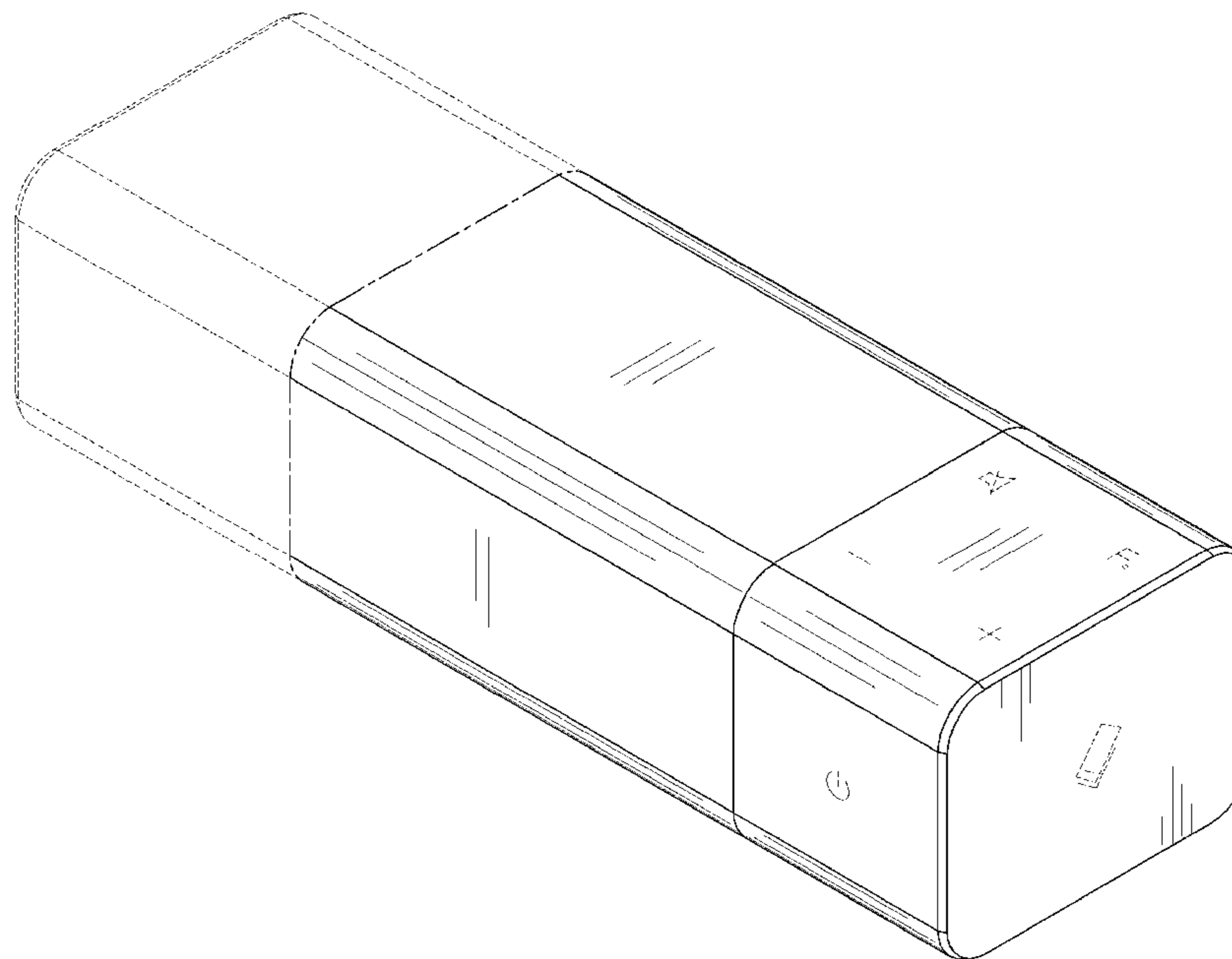


FIG. 1

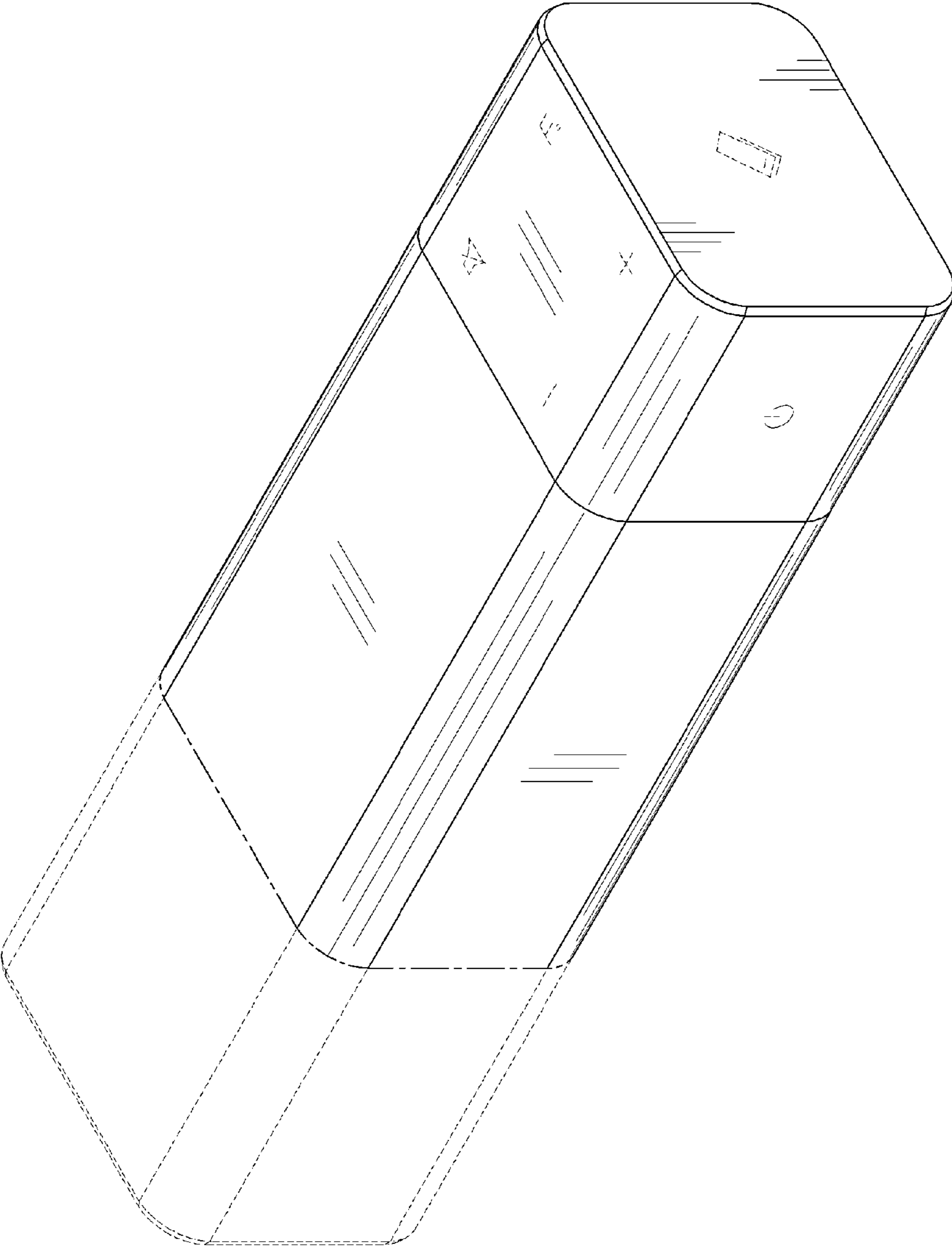


FIG. 2

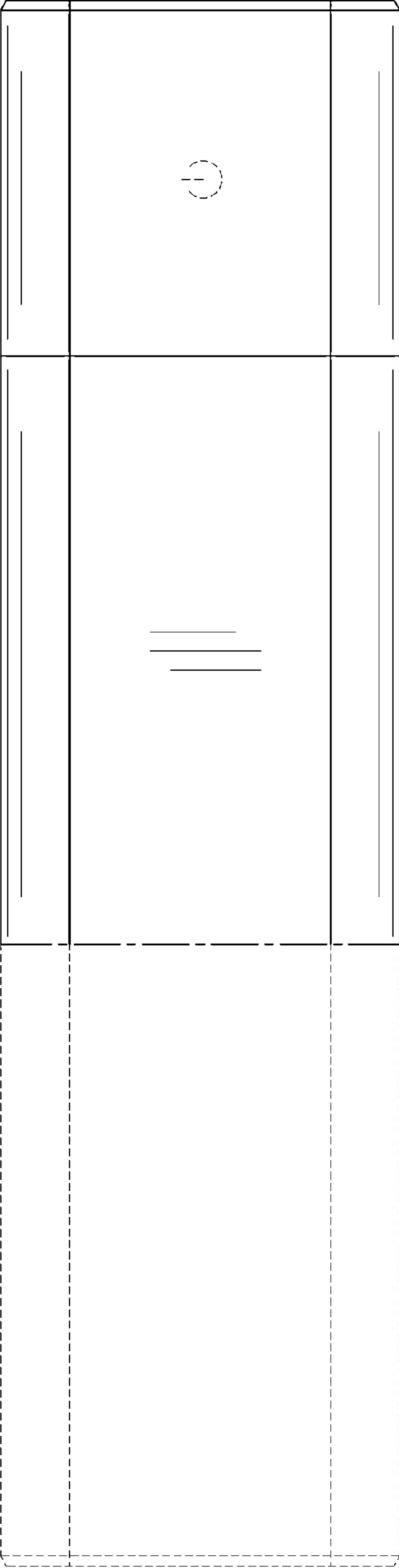


FIG. 3

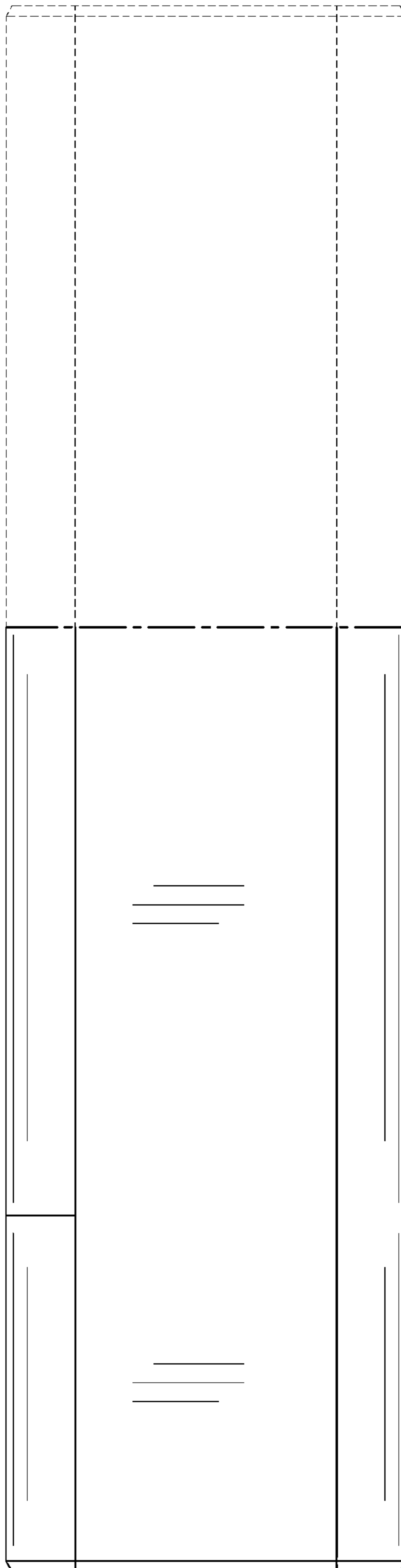


FIG. 4

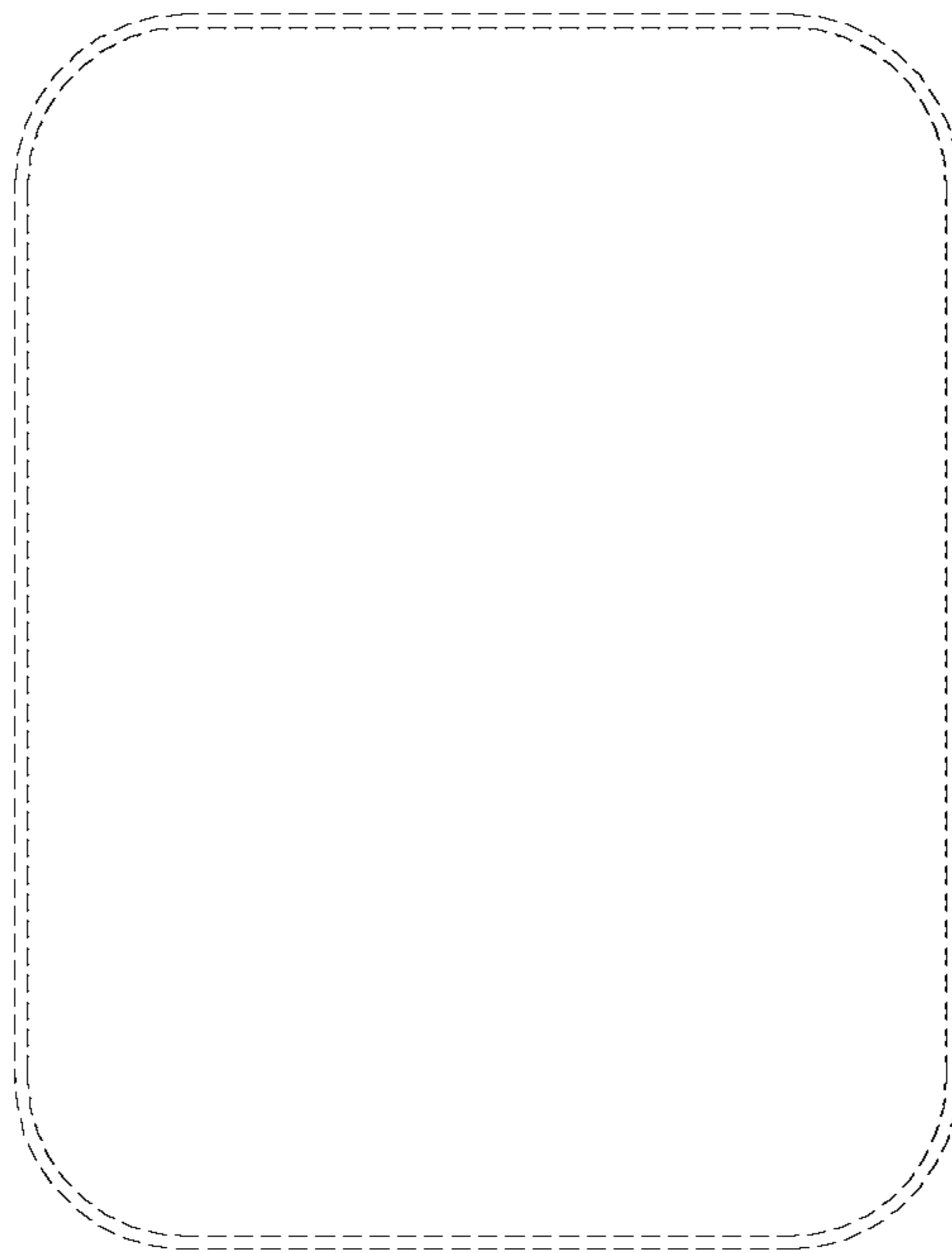


FIG. 5

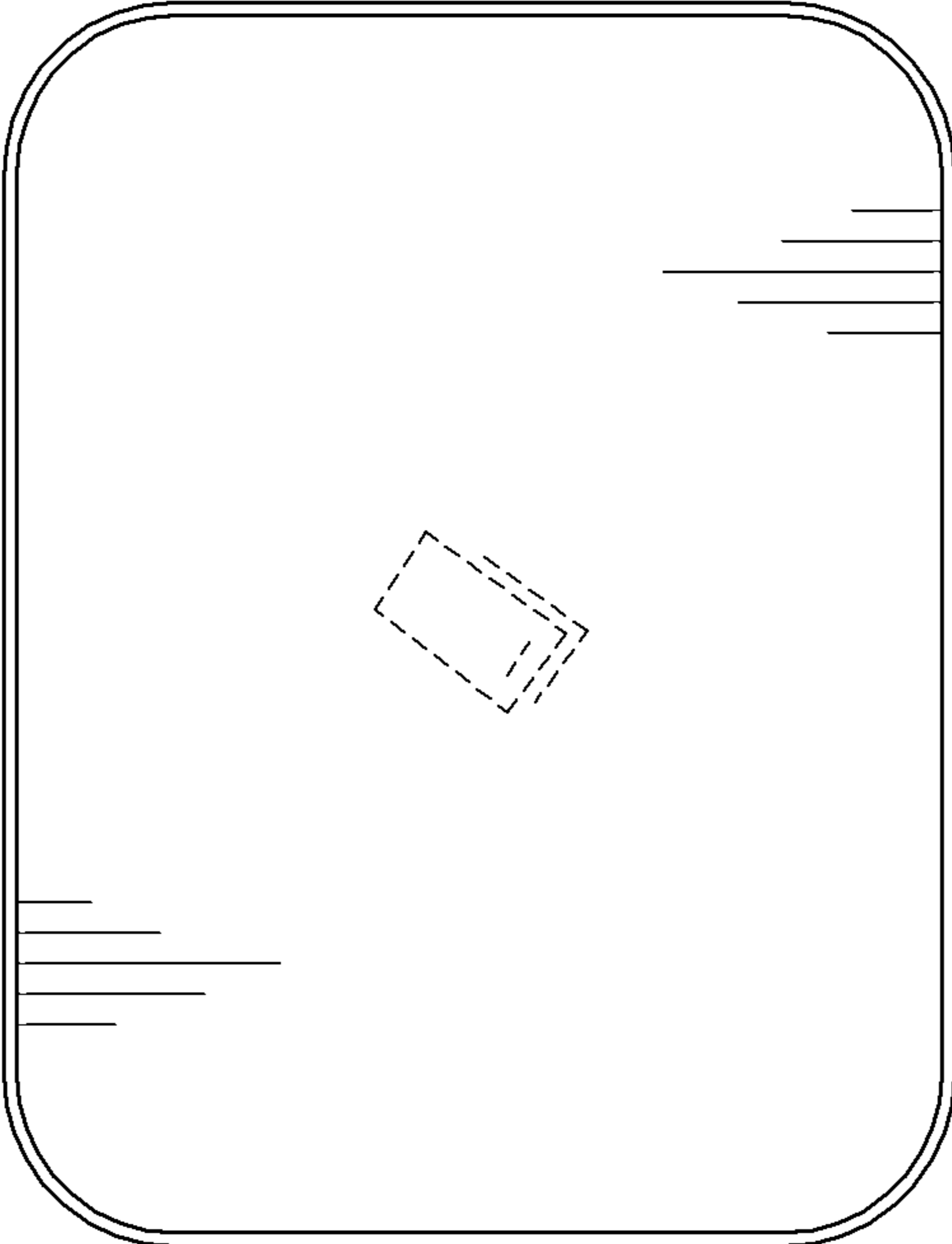


FIG. 6

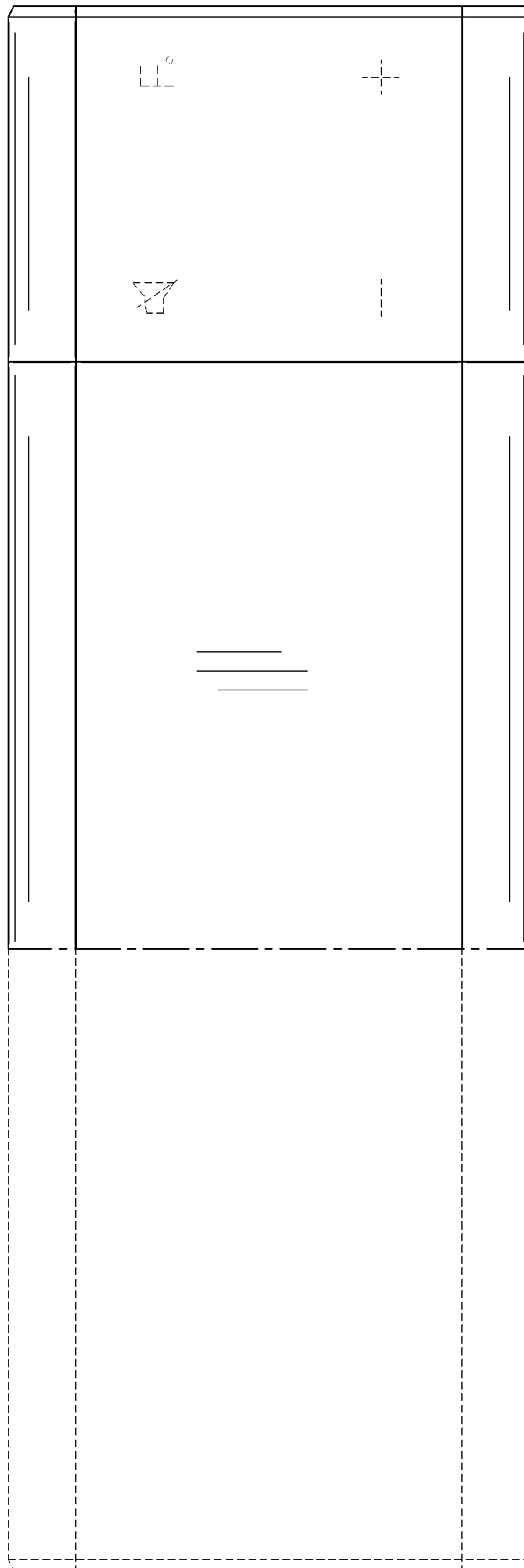


FIG. 7

