

US00D718782S

(12) **United States Design Patent**  
**Sato**

(10) **Patent No.:** **US D718,782 S**  
(45) **Date of Patent:** **\*\* Dec. 2, 2014**

(54) **DISPLAY SCREEN WITH GRAPHICAL USER INTERFACE**

(71) Applicant: **Panasonic Corporation**, Kadoma-shi, Osaka (JP)

(72) Inventor: **Toru Sato**, Osaka (JP)

(73) Assignee: **Panasonic Corporation**, Osaka (JP)

(\*\*) Term: **14 Years**

(21) Appl. No.: **29/440,546**

(22) Filed: **Dec. 21, 2012**

(51) **LOC (10) Cl.** ..... **14-04**

(52) **U.S. Cl.**  
USPC ..... **D14/487**; D14/126

(58) **Field of Classification Search**  
CPC ..... G06F 3/04817  
USPC ..... D14/485, 486, 487, 488, 489, 490, 491, D14/492, 493; 715/810, 835, 836, 837, 839, 715/840, 846, 847; D20/11  
See application file for complete search history.

(56) **References Cited**

**U.S. PATENT DOCUMENTS**

D465,497	S	*	11/2002	Weng et al.	.....	D14/485
D586,351	S	*	2/2009	Gelman et al.	.....	D14/485
D604,314	S	*	11/2009	Hoefnagels et al.	.....	D14/487
D619,978	S	*	7/2010	Kim et al.	.....	D14/126
D626,927	S	*	11/2010	Honda	.....	D14/126
D656,509	S	*	3/2012	Thai et al.	.....	D14/486
D664,966	S	*	8/2012	Shallcross et al.	.....	D14/485
D667,421	S	*	9/2012	Kriese et al.	.....	D14/487
D667,839	S	*	9/2012	Kriese et al.	.....	D14/487
D669,913	S	*	10/2012	Maggiotto et al.	.....	D14/487
D682,234	S	*	5/2013	Lee et al.	.....	D14/126
D682,235	S	*	5/2013	Lee et al.	.....	D14/126
D694,251	S	*	11/2013	Nishizawa et al.	.....	D14/485
D697,882	S	*	1/2014	Seong	.....	D14/126

D699,695	S	*	2/2014	Kim et al.	.....	D14/126
D701,845	S	*	4/2014	Kwon et al.	.....	D14/126
D703,626	S	*	4/2014	Hermansen	.....	D14/126
D706,233	S	*	6/2014	Lee et al.	.....	D14/126
D708,205	S	*	7/2014	Maloney et al.	.....	D14/487
D709,908	S	*	7/2014	Wujcik et al.	.....	D14/487
D711,419	S	*	8/2014	Folken et al.	.....	D14/487
D712,365	S	*	9/2014	Yu et al.	.....	D14/126
D712,399	S	*	9/2014	Sohn et al.	.....	D14/336
D712,406	S	*	9/2014	Tseng et al.	.....	D14/374

**OTHER PUBLICATIONS**

Area DVD, "Hardware-Tests—IFA 2011: Cinema 3D-Welt von LG—Pentouch TV" and high quality image of same, obtained from the internet address <[http://www.aredvd.de/hardware/2011/ifa\\_lg.shtml](http://www.aredvd.de/hardware/2011/ifa_lg.shtml)>, Jan. 3, 2013, 1 page.

\* cited by examiner

*Primary Examiner* — Cynthia Underwood

(74) *Attorney, Agent, or Firm* — Brinks Gilson & Lione

(57) **CLAIM**

I claim the ornamental design for a display screen with graphical user interface, as shown and described.

**DESCRIPTION**

FIG. 1 is a front perspective view of a display screen with graphical user interface of the present invention;

FIG. 2 is a front view thereof;

FIG. 3 is a rear view thereof;

FIG. 4 is a top view thereof;

FIG. 5 is a bottom view thereof;

FIG. 6 is a first side view thereof; and,

FIG. 7 is a second side view thereof.

The broken lines represent the unclaimed portion of the display screen. The oblique shade lines represent transparent or semi-transparency of the claimed portion of the display screen.

**1 Claim, 4 Drawing Sheets**

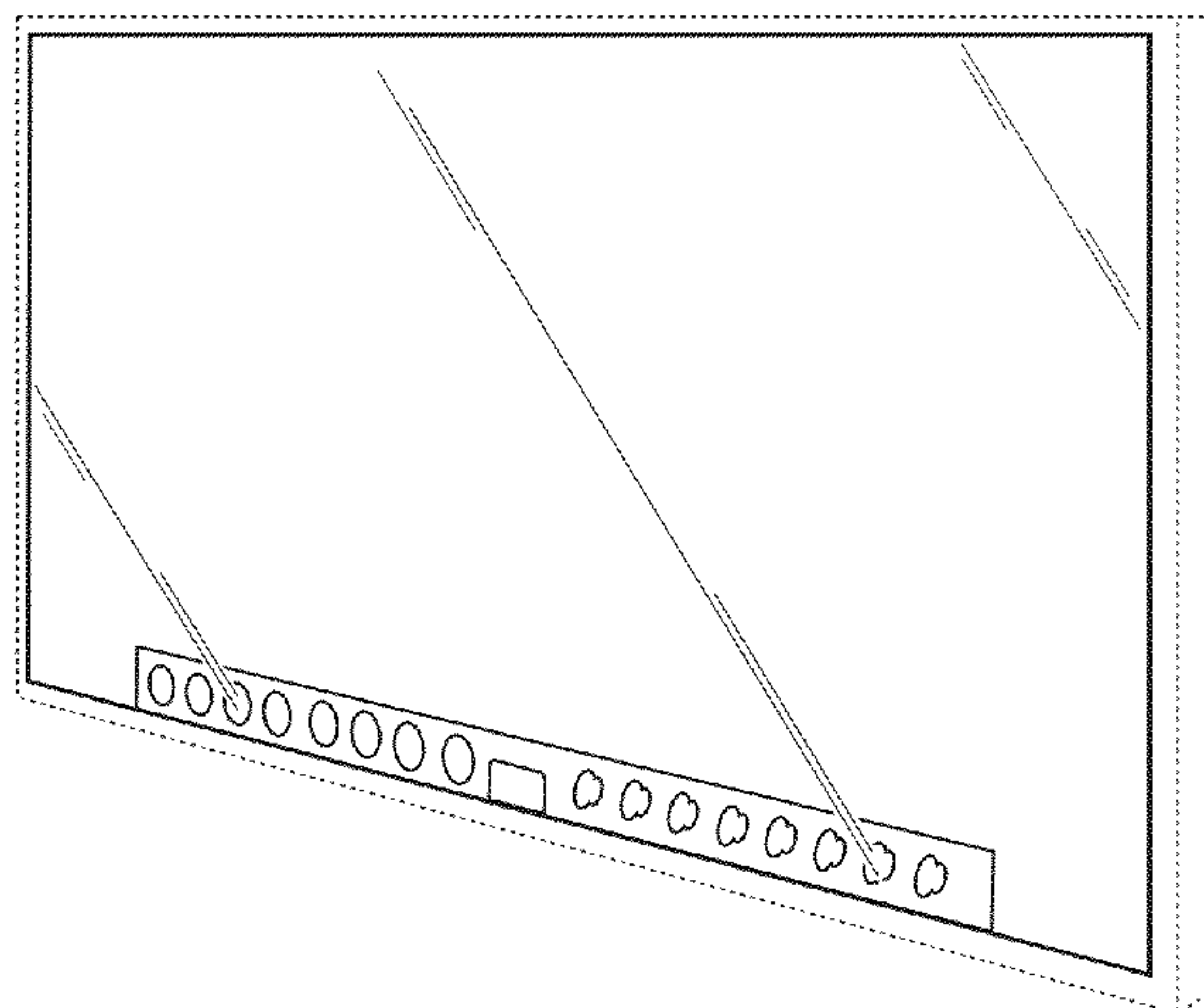


FIG. 1

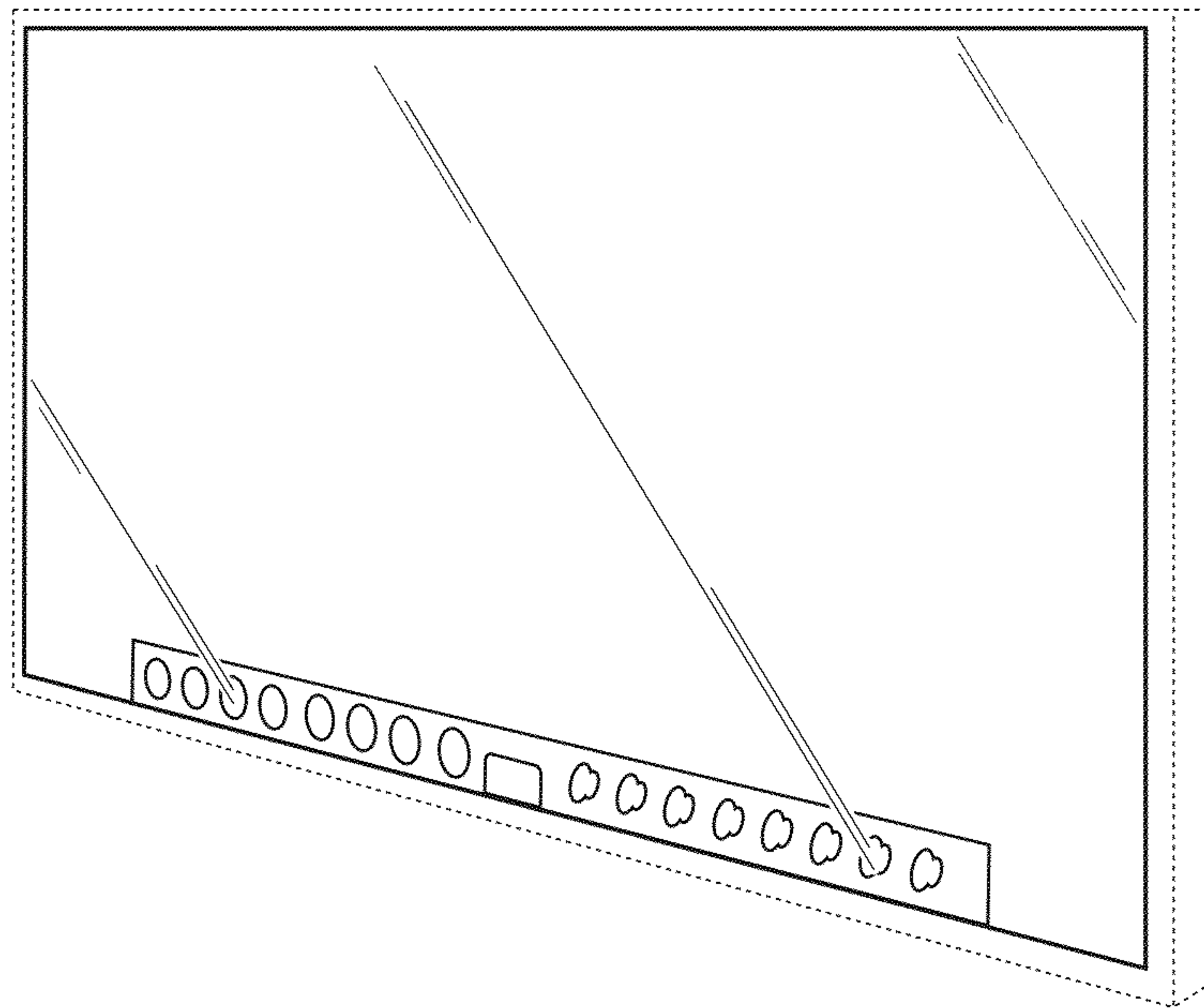


FIG.2

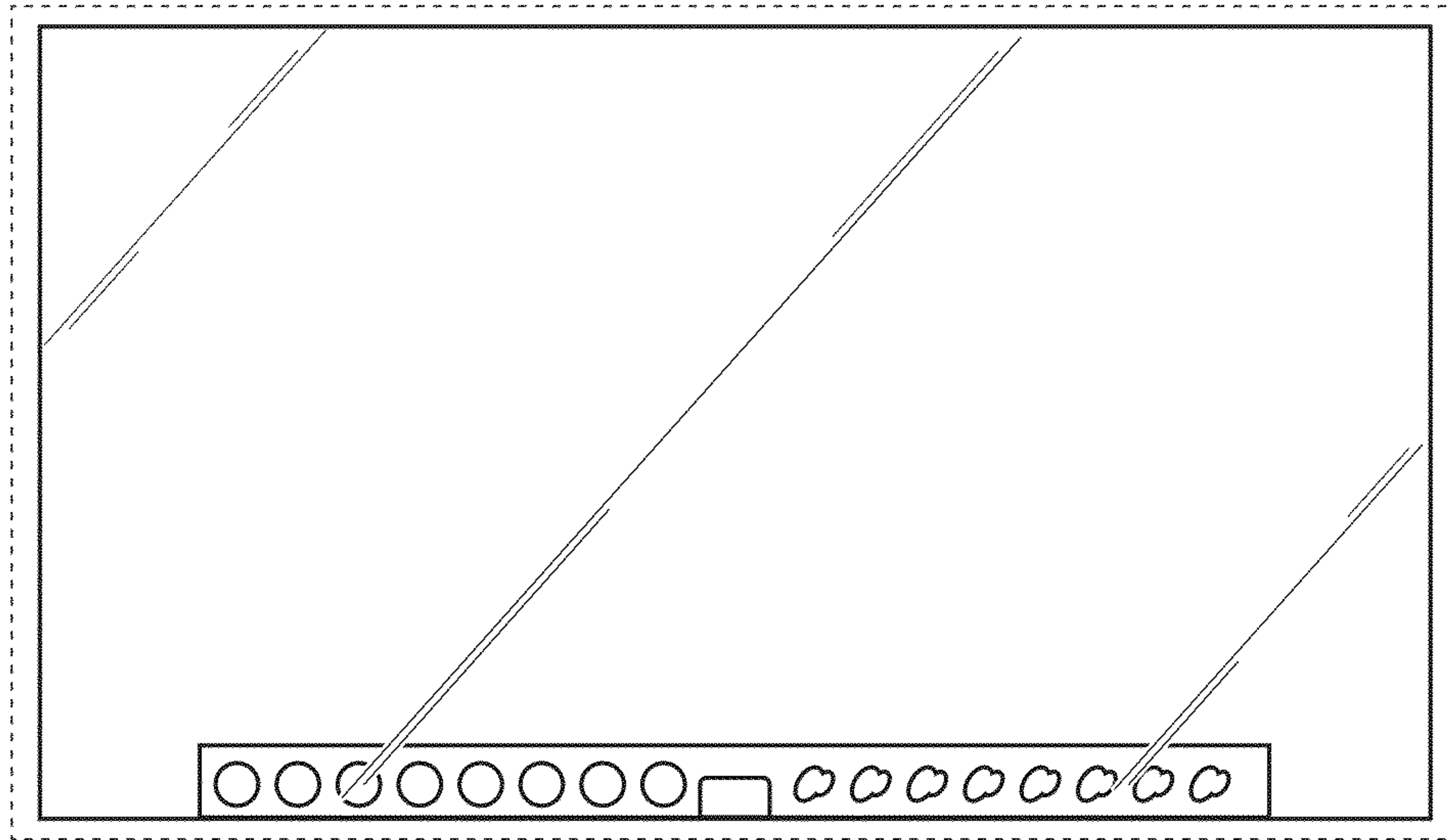
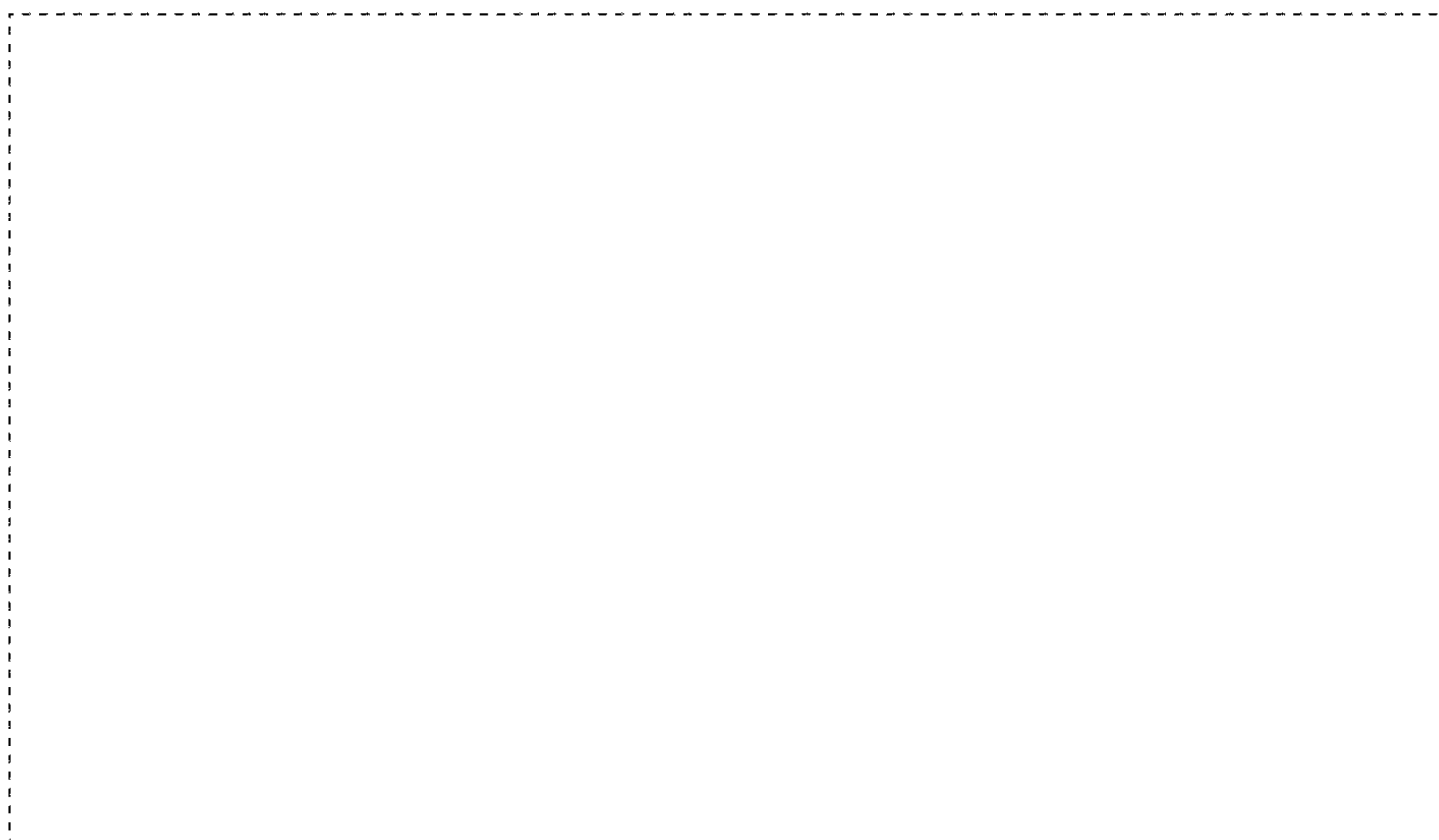


FIG.3



**FIG.4**



**FIG.5**



FIG.6

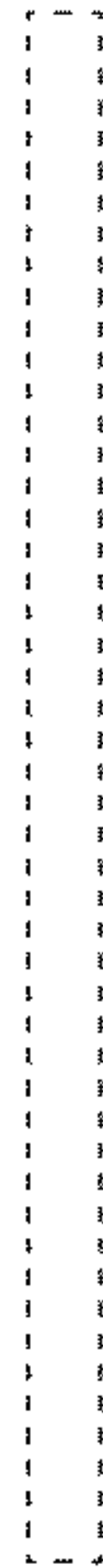


FIG.7

