



US00D718774S

(12) **United States Design Patent**
Erickson et al.

(10) **Patent No.:** **US D718,774 S**

(45) **Date of Patent:** **** Dec. 2, 2014**

(54) **USB MEMORY DRIVE**

(71) Applicant: **GW Crystal, Inc.**, Rancho Cucamonga, CA (US)

(72) Inventors: **Scott Erickson**, Rancho Cucamonga, CA (US); **Peter Gao**, Rancho Cucamonga, CA (US)

(73) Assignee: **GW Crystal, Inc.**, Rancho Cucamonga, CA (US)

(**) Term: **14 Years**

(21) Appl. No.: **29/482,314**

(22) Filed: **Feb. 17, 2014**

Related U.S. Application Data

(62) Division of application No. 29/455,247, filed on May 17, 2013, now Pat. No. Des. 708,188.

(51) **LOC (10) Cl.** **14-02**

(52) **U.S. Cl.**
USPC **D14/480.2**

(58) **Field of Classification Search**
CPC H05K 5/0278; G06K 19/07732
USPC D14/411, 433, 435.1, 436, 480.1-480.7,
D14/484.1, 137, 155, 203.1-203.8, 240,
D14/242; D13/133, 154
See application file for complete search history.

(56) **References Cited**

U.S. PATENT DOCUMENTS

D486,477	S	*	2/2004	Hayles	D14/217
D503,011	S	*	3/2005	Schonbek	D26/154
D558,762	S	*	1/2008	Heath et al.	D14/480.2
D604,662	S	*	11/2009	Bartl	D11/89
D607,914	S	*	1/2010	Kaplan et al.	D16/219
D610,937	S	*	3/2010	Meyer	D11/89
D611,946	S	*	3/2010	Wisniewski	D14/480.5
D638,575	S	*	5/2011	Meyer	D26/154

D653,152	S	*	1/2012	Bartl	D11/89
8,125,774	B2	*	2/2012	Kelley et al.	361/679.31
D666,936	S	*	9/2012	Lee et al.	D11/89
D671,124	S	*	11/2012	Zeanah	D14/484.1
D676,836	S	*	2/2013	Wossner	D14/240
D702,697	S	*	4/2014	Gao et al.	D14/480.1
D708,188	S	*	7/2014	Erickson et al.	D14/480.1
2010/0264047	A1	*	10/2010	Kelley et al.	206/232

OTHER PUBLICATIONS

GW Crystal | Flash Drives, [online], [retrieved on Jan. 6, 2014]. Retrieved from the Internet <URL: http://www.gwcrystal.com/index.php?section=product&category_id=51>.*
GW Crystal | Heart Crystal Flash Drives, [online], [retrieved on Oct. 16, 2014]. Retrieved from the Internet <URL: http://www.gwcrystal.com/index.php?section=product&subsection=product_details&product_id=230&category_id=51>.*

* cited by examiner

Primary Examiner — Karen E Kearney

(74) *Attorney, Agent, or Firm* — Brian Billett

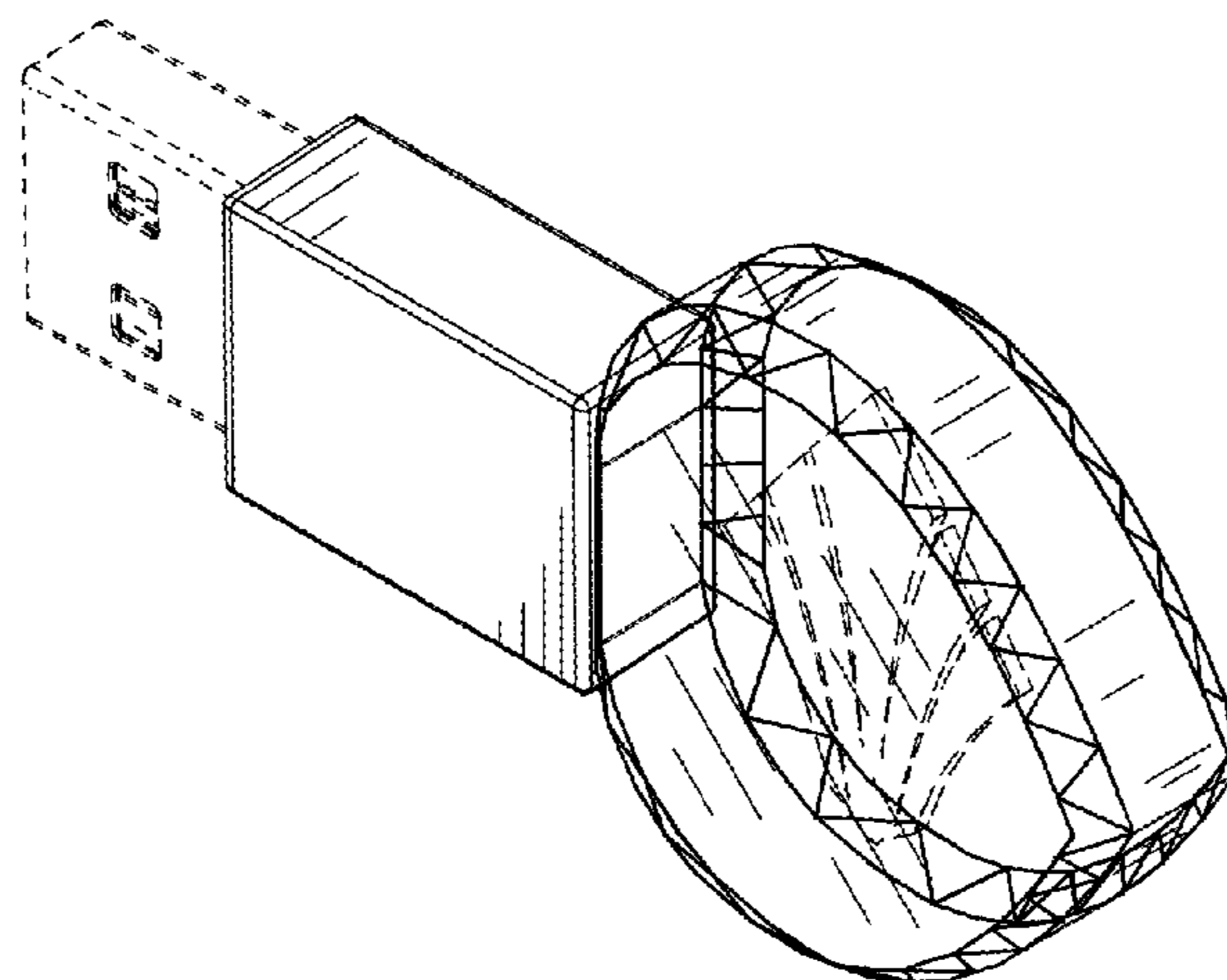
(57) **CLAIM**

We claim the ornamental design for a USB memory drive, as shown and described.

DESCRIPTION

FIG. 1 is a perspective view of a USB memory drive in accordance with the present design;
FIG. 2 is a top view thereof;
FIG. 3 is a bottom view thereof;
FIG. 4 is a front view thereof;
FIG. 5 is a back view thereof;
FIG. 6 is a right side view thereof; and,
FIG. 7 is a left side view thereof.
The broken line showings of the USB connector and the subsurface engraving are included for the purpose of illustrating portions of the USB memory drive and form no part of the claimed design.

1 Claim, 3 Drawing Sheets



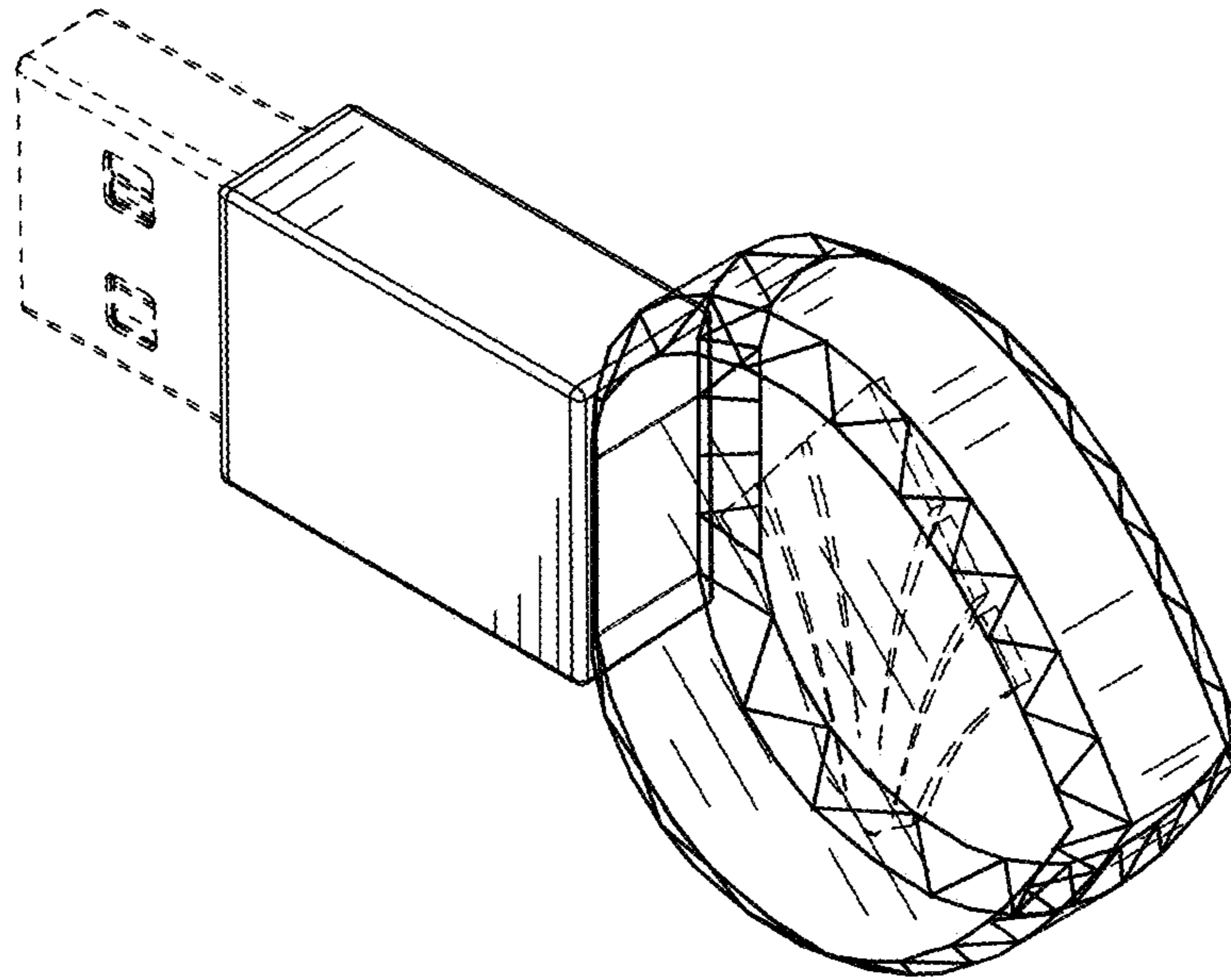


Fig. 1

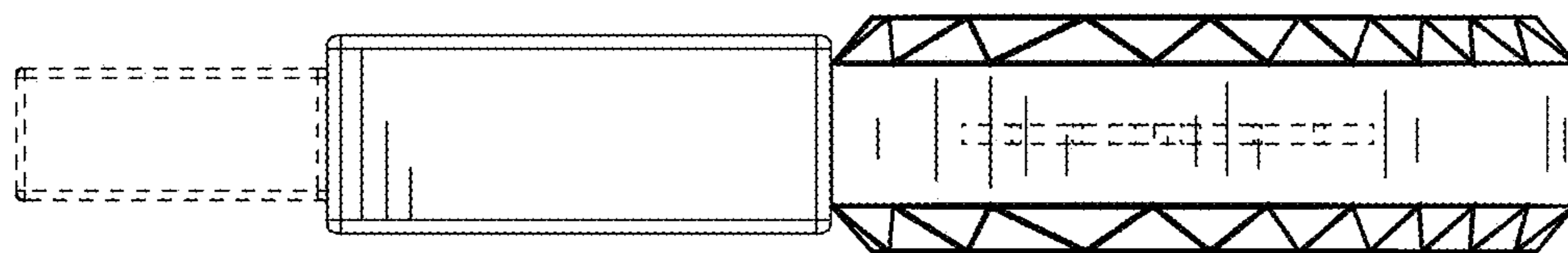


Fig. 2

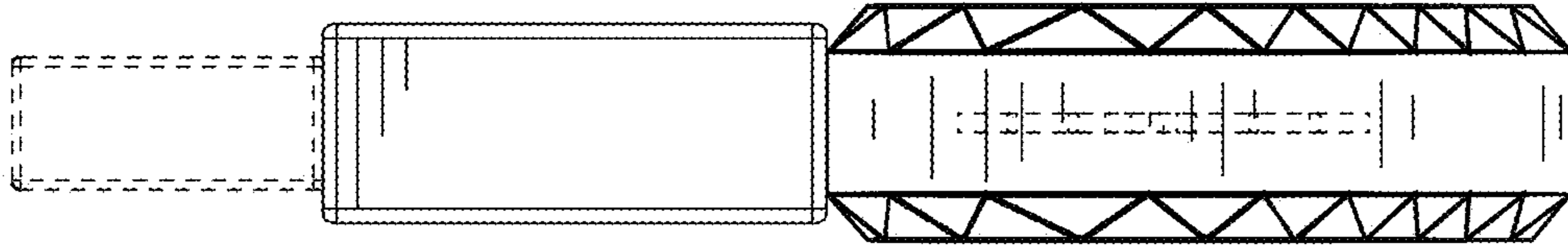


Fig. 3

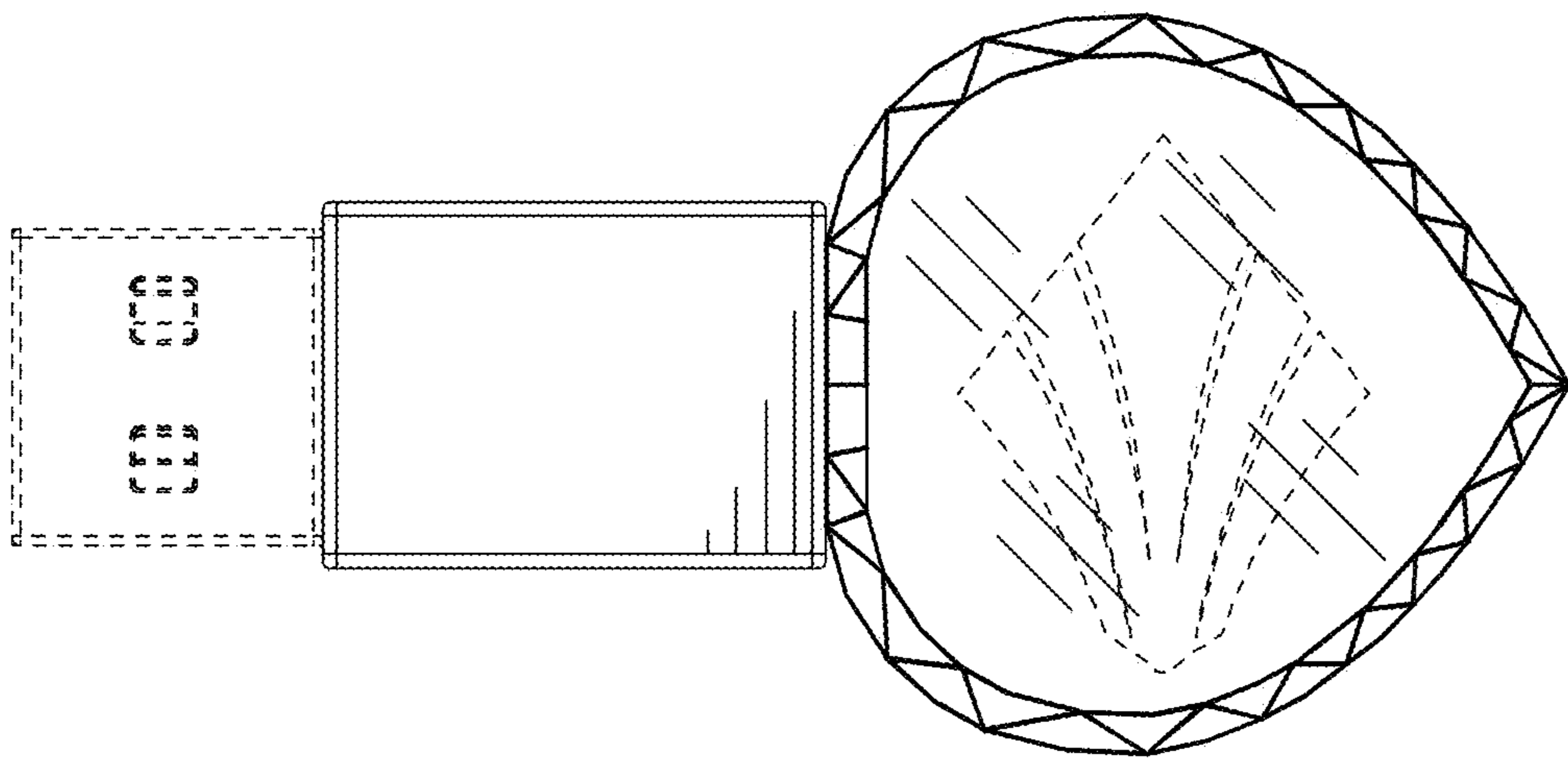


Fig. 4

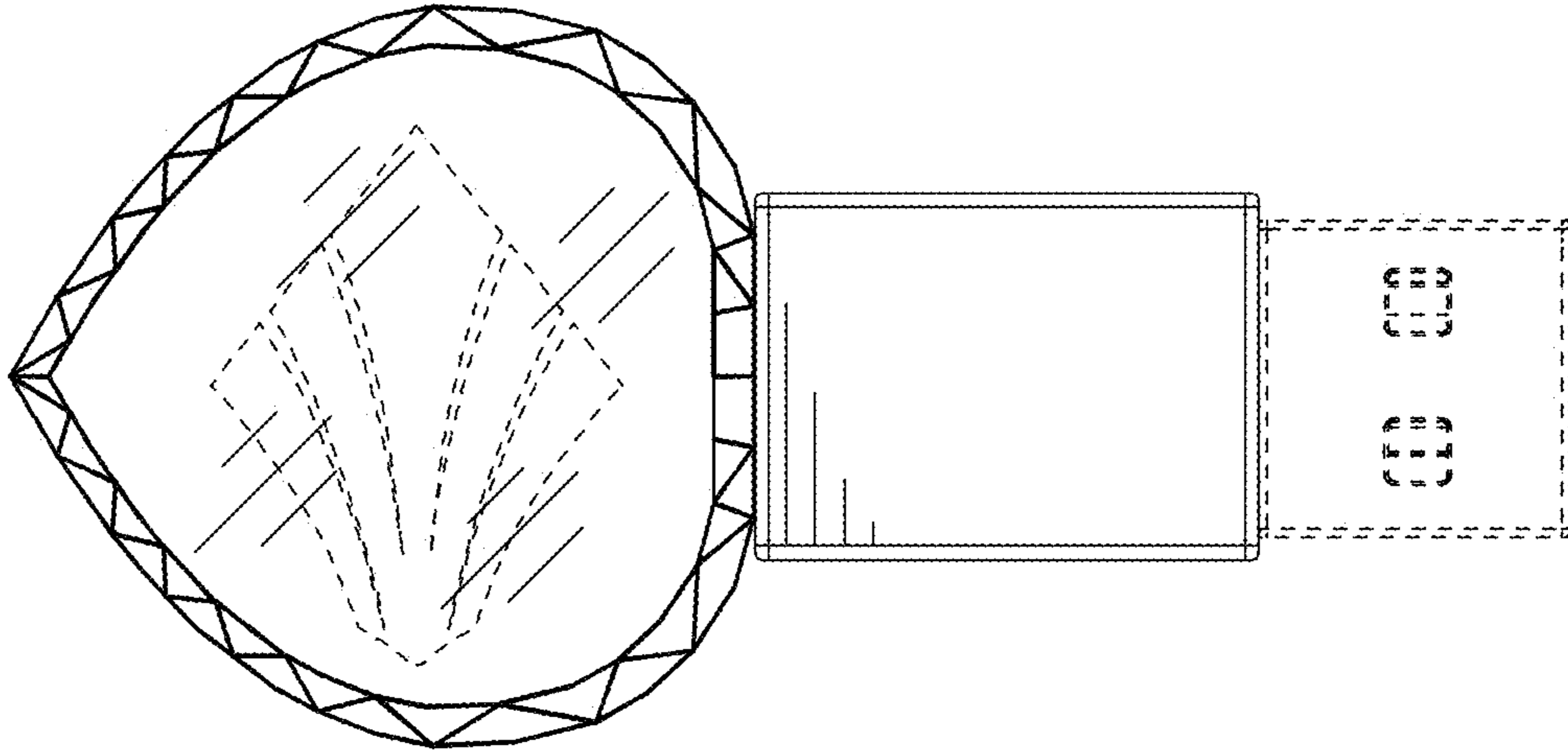


Fig. 5



Fig. 6

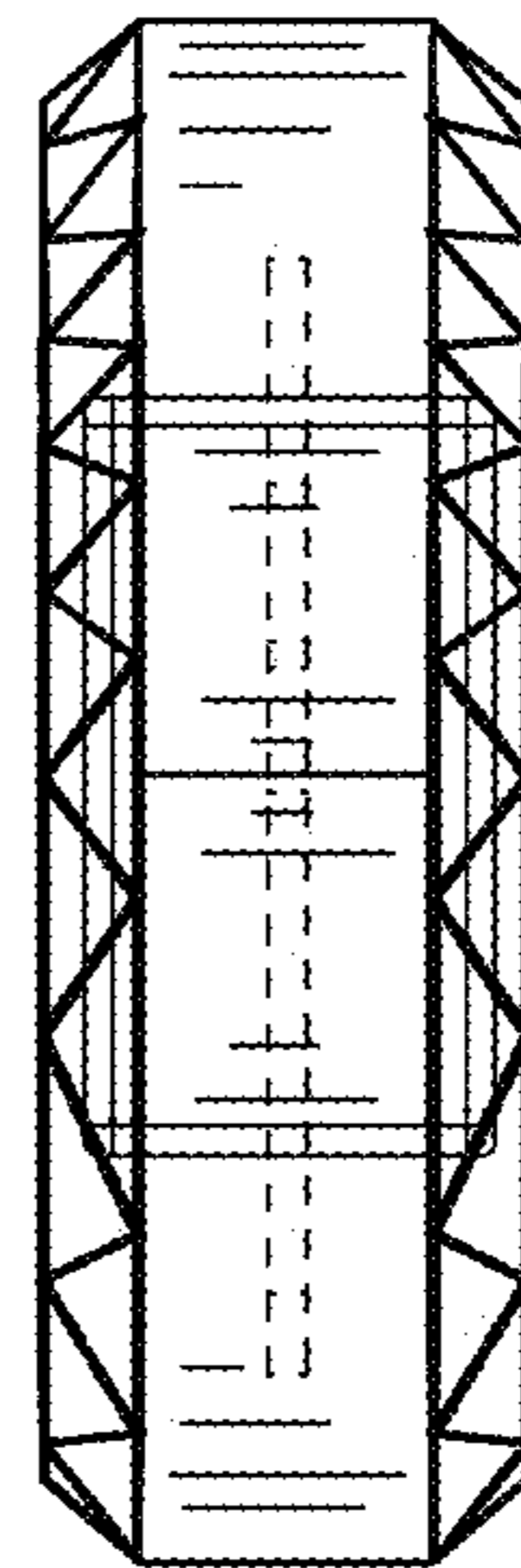


Fig. 7