



US00D718773S

(12) **United States Design Patent**  
**Erickson et al.**

(10) **Patent No.:** **US D718,773 S**  
(45) **Date of Patent:** **\*\* Dec. 2, 2014**

- (54) **USB MEMORY DRIVE**
- (71) Applicant: **GW Crystal, Inc.**, Rancho Cucamonga, CA (US)
- (72) Inventors: **Scott Erickson**, Rancho Cucamonga, CA (US); **Peter Gao**, Rancho Cucamonga, CA (US)
- (73) Assignee: **GW Crystal, Inc.**, Rancho Cucamonga, CA (US)

D638,575	S	*	5/2011	Meyer	.....	D26/154
D649,513	S	*	11/2011	Wu	.....	D13/133
D653,152	S	*	1/2012	Bartl	.....	D11/89
D661,680	S	*	6/2012	Wei et al.	.....	D14/155
D666,936	S	*	9/2012	Lee et al.	.....	D11/89
D675,217	S	*	1/2013	Lee	.....	D14/480.6
D685,808	S	*	7/2013	Billington	.....	D14/480.6
D702,697	S	*	4/2014	Gao et al.	.....	D14/480.1
D708,188	S	*	7/2014	Erickson et al.	.....	D14/480.1
D711,892	S	*	8/2014	Lin et al.	.....	D14/484.1
D711,894	S	*	8/2014	Lin et al.	.....	D14/484.1
2006/0231618	A1	*	10/2006	Chen	.....	235/441

- (\*\*) Term: **14 Years**
- (21) Appl. No.: **29/482,312**
- (22) Filed: **Feb. 17, 2014**

**Related U.S. Application Data**

- (62) Division of application No. 29/455,247, filed on May 17, 2013, now Pat. No. Des. 708,188.
- (51) **LOC (10) Cl.** ..... **14-02**
- (52) **U.S. Cl.**  
USPC ..... **D14/480.1**
- (58) **Field of Classification Search**  
CPC ..... H05K 5/0278; G06K 19/07732  
USPC ..... D14/411, 433, 435.1, 436, 480.1-480.7, D14/484.1, 137, 155, 203.1-203.8, 240, D14/242; D13/133, 154  
See application file for complete search history.

(56) **References Cited**

**U.S. PATENT DOCUMENTS**

D482,694	S	*	11/2003	Chen	.....	D14/435.1
D503,011	S	*	3/2005	Schonbek	.....	D26/154
D534,448	S	*	1/2007	Shaffer et al.	.....	D10/104.1
D604,662	S	*	11/2009	Bartl	.....	D11/89
D607,914	S	*	1/2010	Kaplan et al.	.....	D16/219
D610,937	S	*	3/2010	Meyer	.....	D11/89
D611,946	S	*	3/2010	Wisniewski	.....	D14/480.5

**OTHER PUBLICATIONS**

GW Crystal | Flash Drives, [online], [retrieved on Jan. 6, 2014]. Retrieved from the Internet <URL: [http://www.gwcrystal.com/index.php?section=product&category\\_id=51](http://www.gwcrystal.com/index.php?section=product&category_id=51)>.\*

(Continued)

*Primary Examiner* — Karen E Kearney  
(74) *Attorney, Agent, or Firm* — Brian Billett

(57) **CLAIM**

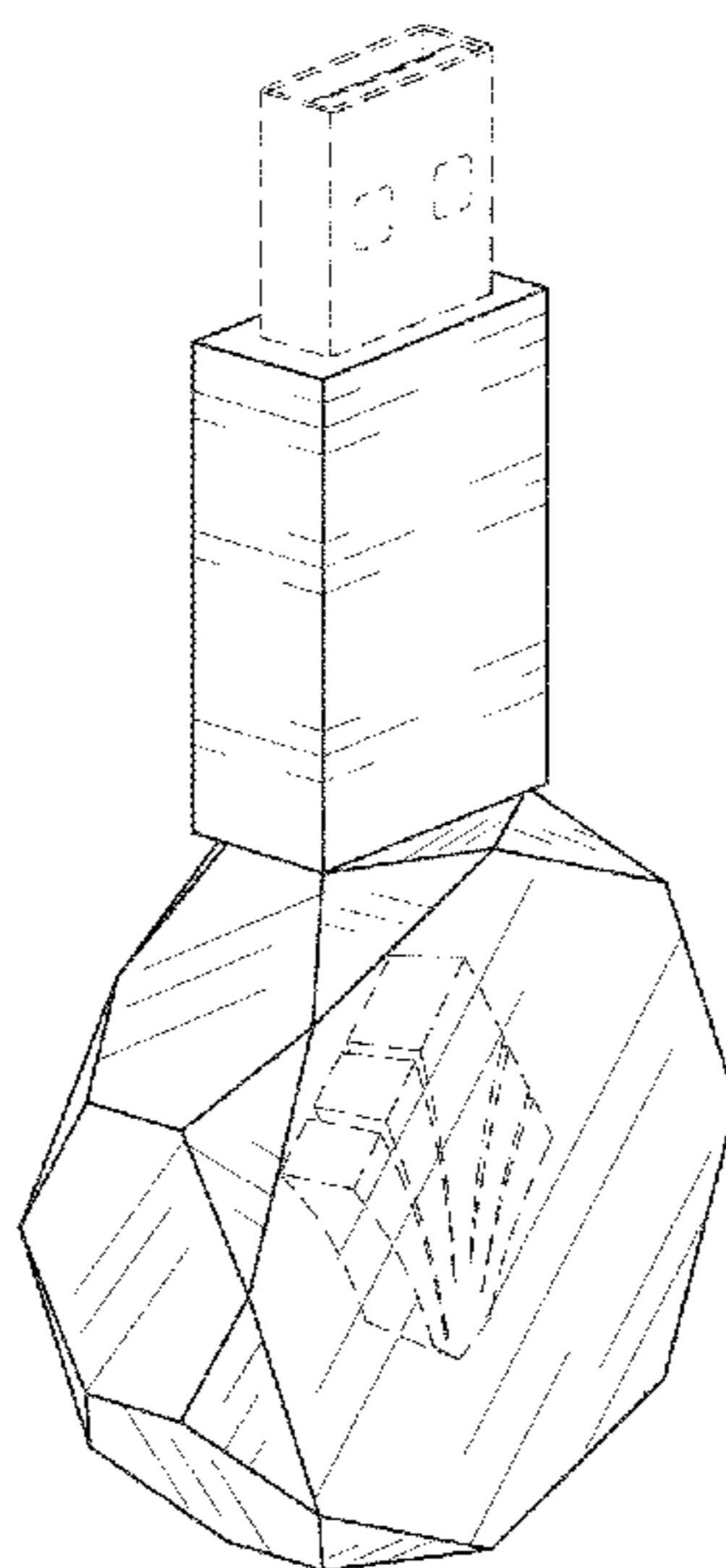
We claim the ornamental design for a USB memory drive, as shown and described.

**DESCRIPTION**

FIG. 1 is a perspective view of a USB memory drive in accordance with the present design;  
FIG. 2 is a top view thereof;  
FIG. 3 is a bottom view thereof;  
FIG. 4 is a front view thereof;  
FIG. 5 is a back view thereof;  
FIG. 6 is a right side view thereof; and,  
FIG. 7 is a left side view thereof.

The broken line showings of the USB connector and the subsurface engraving are included for the purpose of illustrating portions of the USB memory drive and form no part of the claimed design.

**1 Claim, 3 Drawing Sheets**



(56)

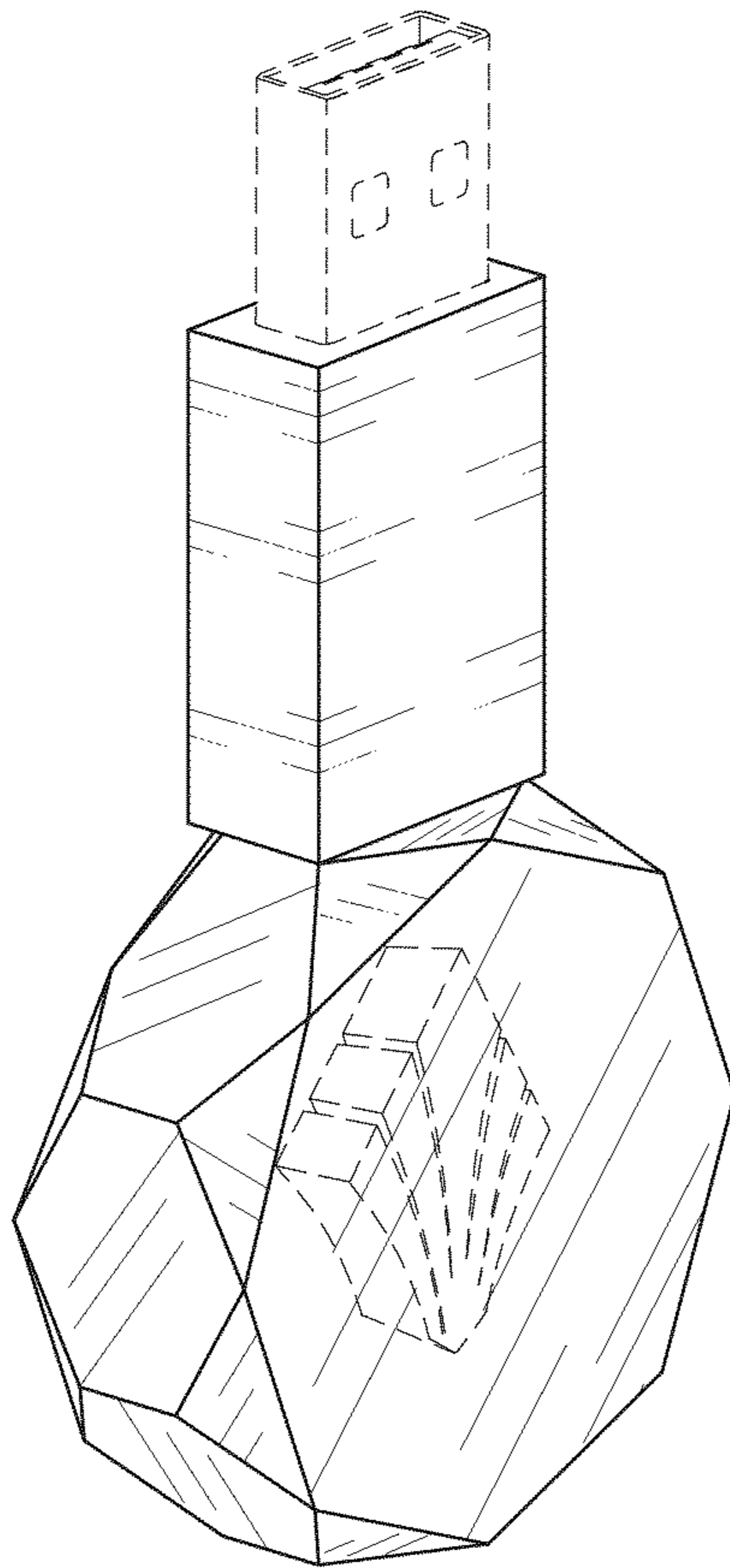
**References Cited**

OTHER PUBLICATIONS

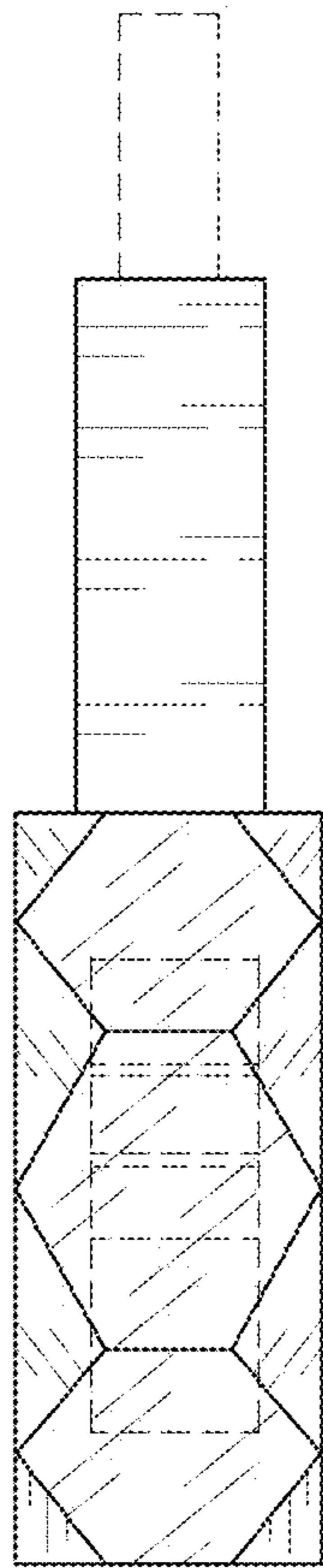
GW Crystal | Circular Beveled Flash Drives, [online], [retrieved on Oct. 16, 2014]. Retrieved from the Internet <URL: [http://www.gwcrystal.com/index.php?section=product&subsection=product\\_details&product\\_id=223&category\\_id=51](http://www.gwcrystal.com/index.php?section=product&subsection=product_details&product_id=223&category_id=51)>.\*

gwcrystal.com/index.php?section=product&subsection=product\_details&product\_id=223&category\_id=51>.\*

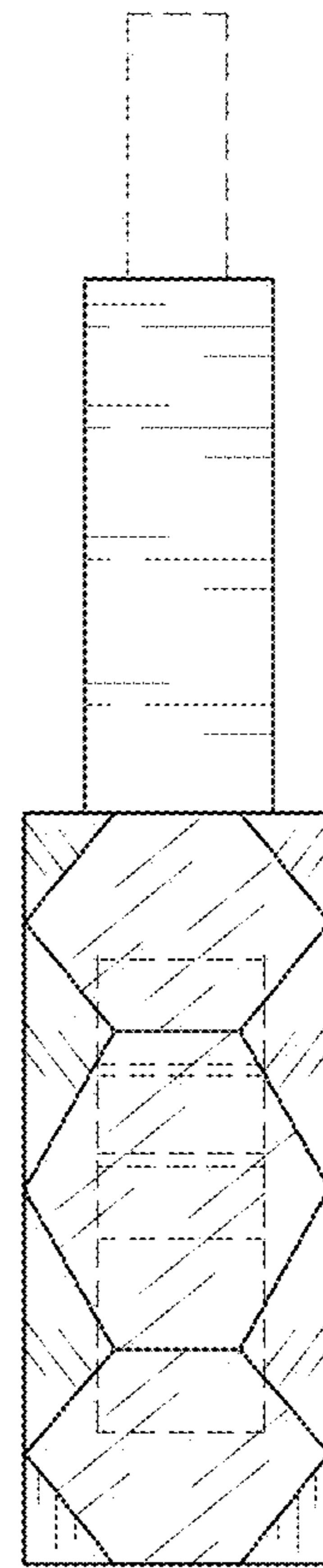
\* cited by examiner



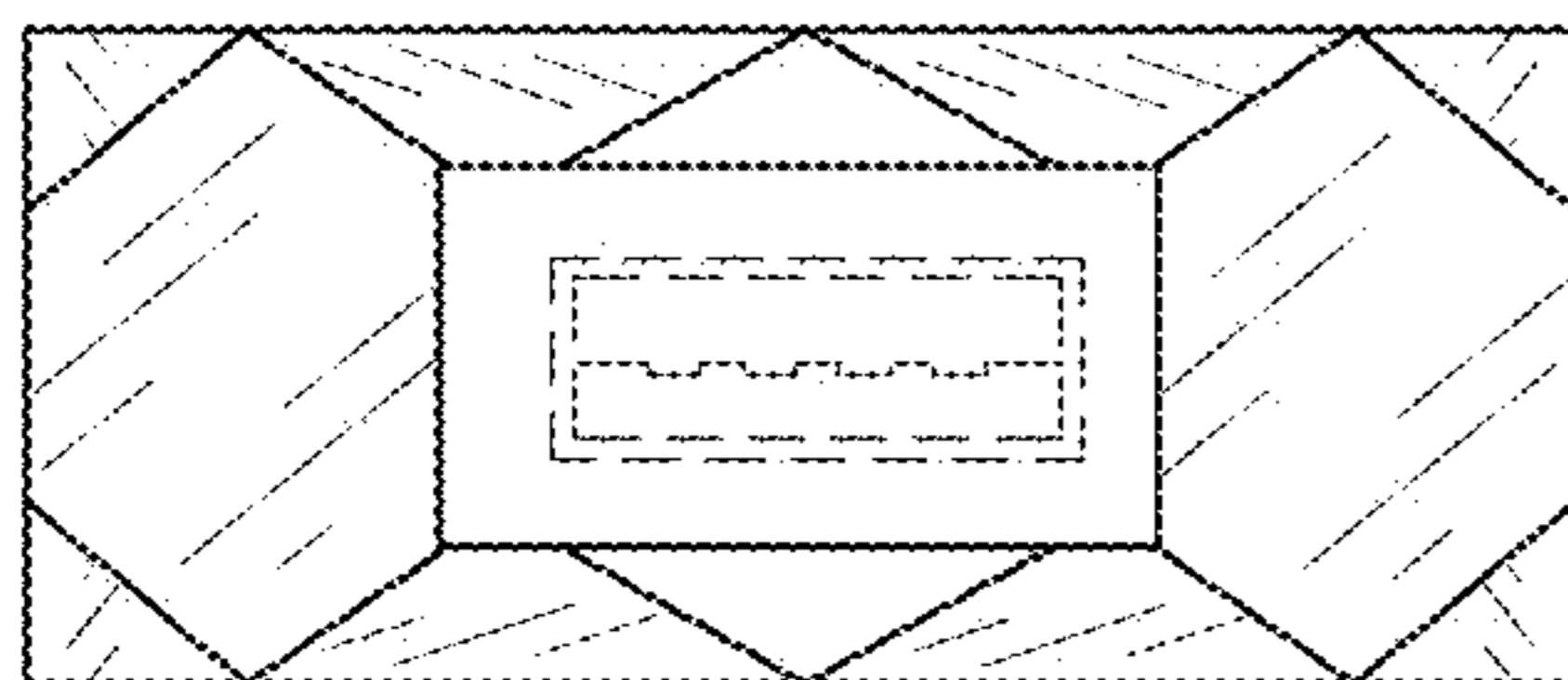
**Fig. 1**



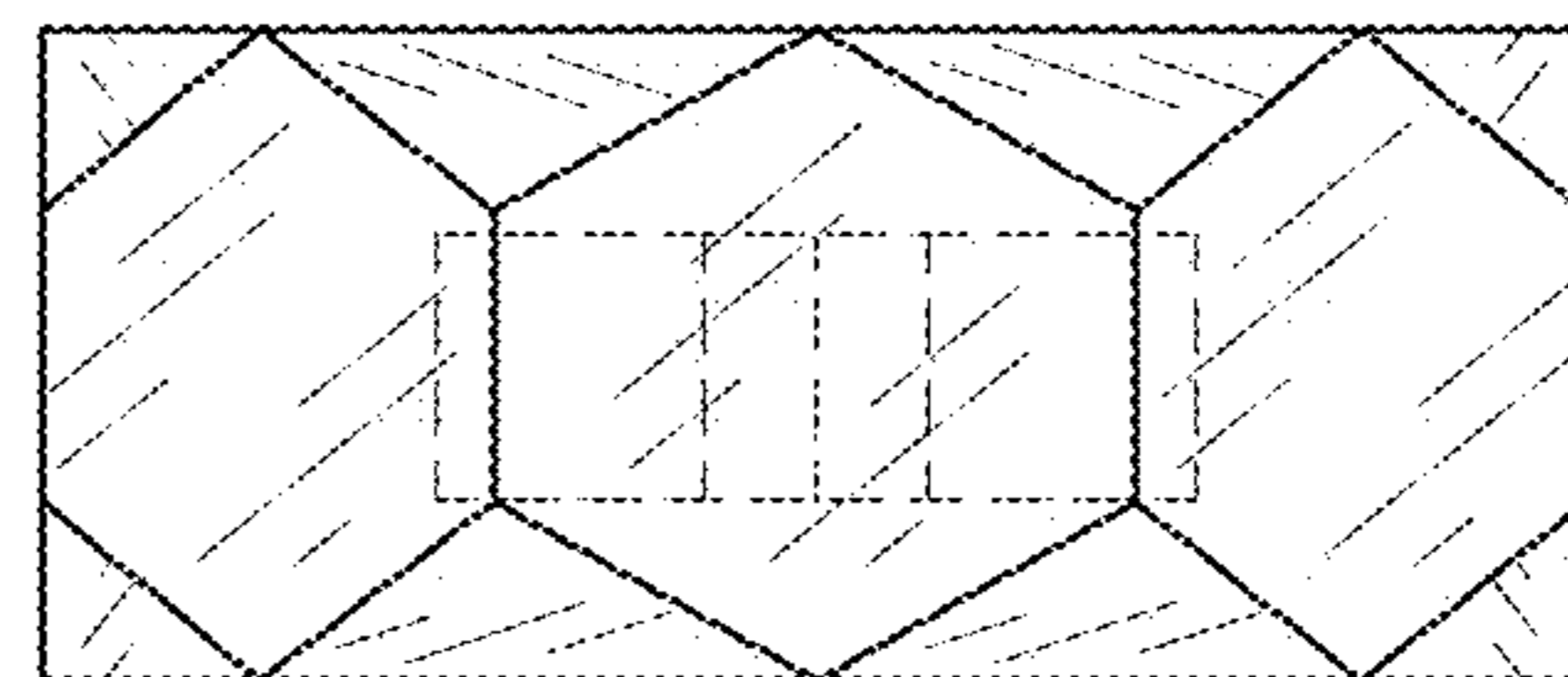
**Fig. 2**



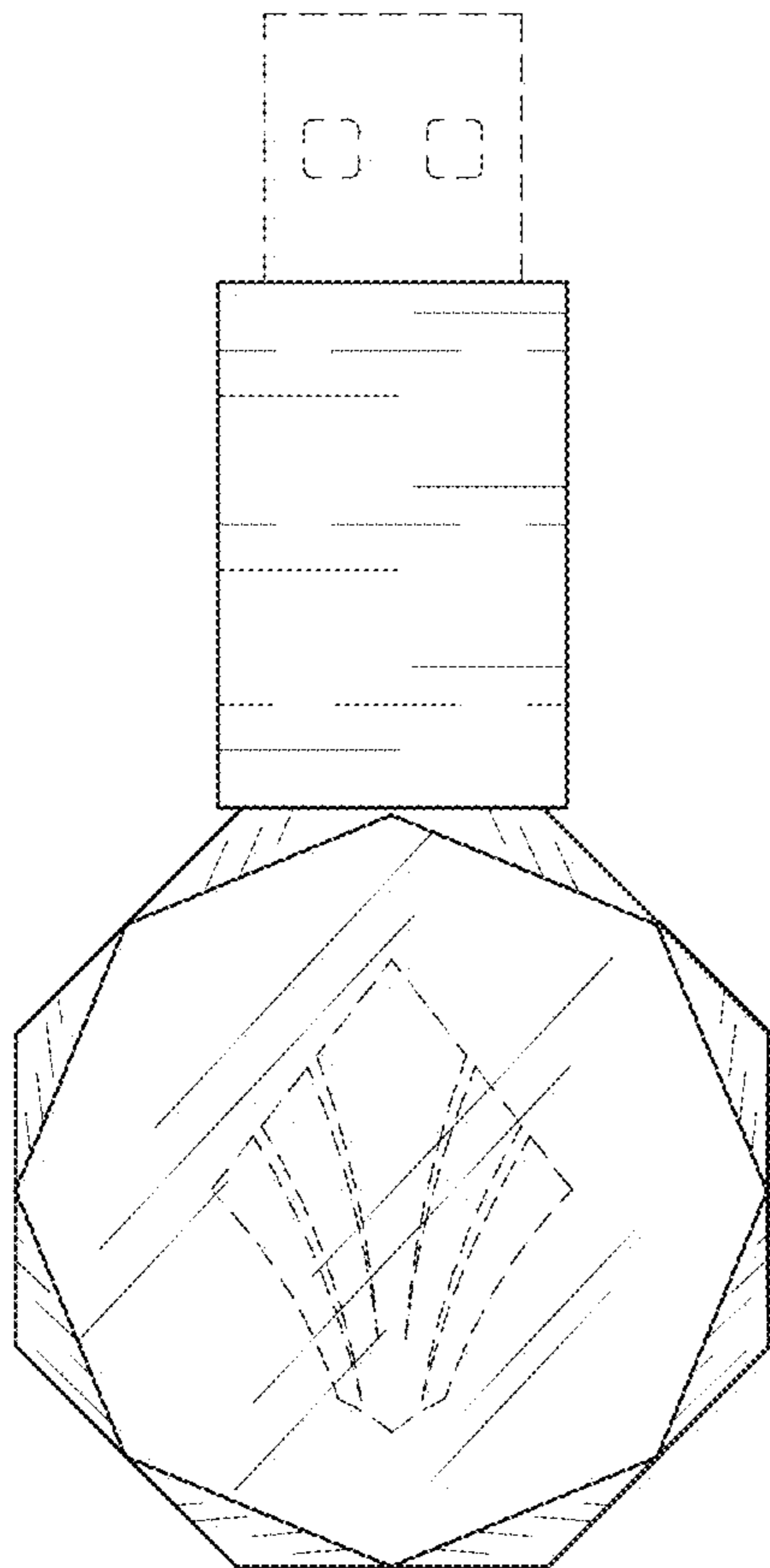
**Fig. 3**



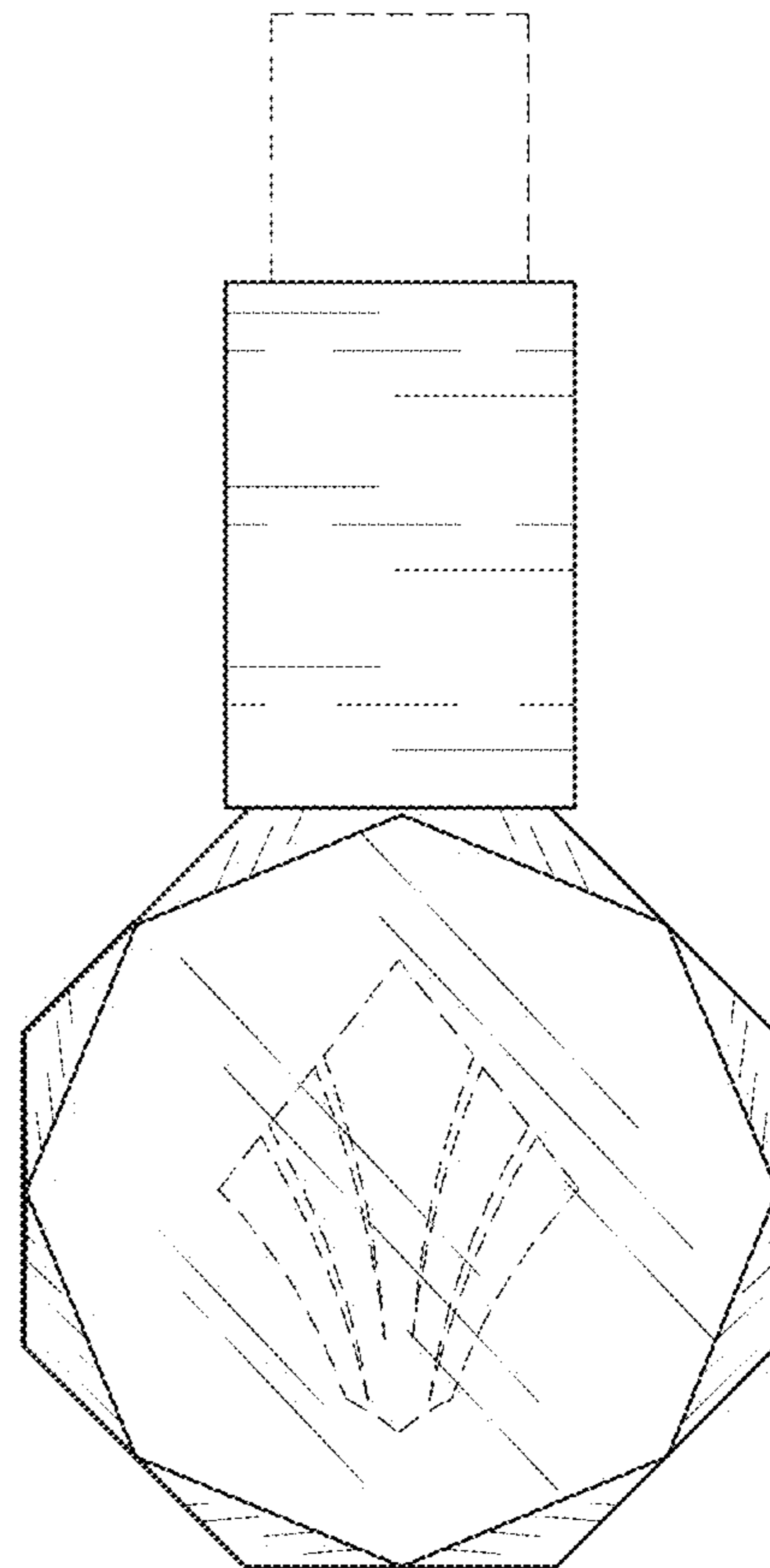
**Fig. 4**



**Fig. 5**



**Fig. 6**



**Fig. 7**