



US00D718772S

(12) **United States Design Patent**  
**Westrup et al.**

(10) **Patent No.:** **US D718,772 S**  
(45) **Date of Patent:** **\*\* Dec. 2, 2014**

- (54) **POP-UP SUPPORT FOR AN ELECTRONIC DEVICE PROTECTOR**
- (71) Applicant: **Cyber Acoustics LLC**, Vancouver, WA (US)
- (72) Inventors: **Joseph Westrup**, Vancouver, WA (US); **Kwong Chi Kei**, Hong Kong (CN); **Lui Suen Yuen**, Hong Kong (CN)
- (73) Assignee: **Cyber Acoustics LLC**, Vancouver, WA (US)
- (\*\*) Term: **14 Years**

D647,526 S	10/2011	Vandiver et al.	
D652,045 S	1/2012	Hong	
D653,668 S	2/2012	Song et al.	
D660,305 S	5/2012	Ho et al.	
D669,481 S	10/2012	Prescott et al.	
D669,890 S	10/2012	Hopkins et al.	
8,281,924 B2	10/2012	Westrup	
D670,703 S	11/2012	Hasbrook et al.	
D671,532 S *	11/2012	Mochizuki et al.	D14/239
D674,395 S *	1/2013	Haarburger	D14/447
D677,264 S *	3/2013	Lu et al.	D14/451
D677,265 S *	3/2013	Lu et al.	D14/451
8,616,508 B1 *	12/2013	Coleman	248/176.1
D698,795 S *	2/2014	Chang	D14/451
D704,197 S *	5/2014	Aber et al.	D14/447
D706,254 S *	6/2014	Chang	D14/250
D710,861 S *	8/2014	Yagi	D14/447

- (21) Appl. No.: **29/487,841**
- (22) Filed: **Apr. 11, 2014**
- (51) **LOC (10) Cl.** ..... **08-07**
- (52) **U.S. Cl.**  
USPC ..... **D14/447**
- (58) **Field of Classification Search**  
USPC ..... D14/447, 432, 434, 439, 440, 451, 452, D14/239, 251, 253, 217, 374, 375; D6/406.3, 406.4, 406.5; D3/218; D12/415; 248/917-924, 445, 447, 451, 248/455, 460, 150, 188.6, 176.1; 361/679.09, 679.21, 679.22, 679.26, 361/679.3, 679.55, 679.56  
See application file for complete search history.

(Continued)

*Primary Examiner* — Angela J Lee  
(74) *Attorney, Agent, or Firm* — Chernoff Vilhauer LLP

(57) **CLAIM**  
The ornamental design for a pop-up support for an electronic device protector, as shown and described.

**DESCRIPTION**

FIG. 1 is rear perspective view of our support design associated with a pop-up support for an electronic device protector showing the protector in closed configuration with the support in a deployed position. The protector is shown in broken line and is included to illustrate the environment of support design.

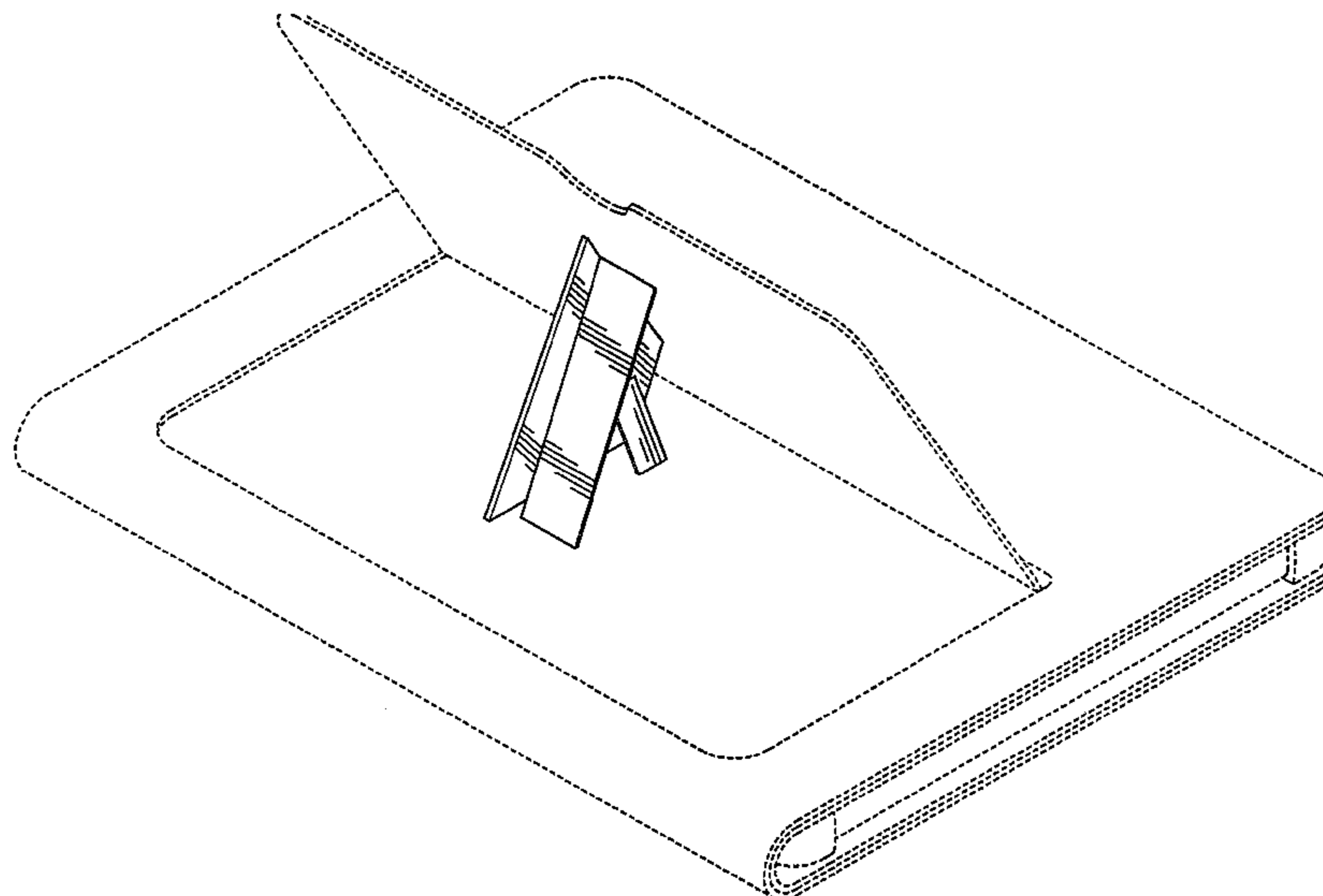
FIG. 2 is a left side view of the support design of FIG. 1. FIG. 3 is a right side view of the support design of FIG. 1. FIG. 4 is a rear view of the support design of FIG. 1; and, FIG. 5 is a top view of that portion of the support design that is visible from directly above the protector.

The support design is not visible from the bottom or front of the protector.

Portions of the protector in broken line are not claimed.

- (56) **References Cited**  
U.S. PATENT DOCUMENTS
- |              |        |                 |           |
|--------------|--------|-----------------|-----------|
| 5,029,796 A  | 7/1991 | Schoenig        |           |
| 7,025,274 B2 | 4/2006 | Solomon et al.  |           |
| D558,771 S   | 1/2008 | Derry et al.    |           |
| D562,831 S * | 2/2008 | Katagiri et al. | D14/451   |
| D592,188 S   | 5/2009 | Huang           |           |
| D596,618 S * | 7/2009 | Zha             | D14/209.1 |
| D640,707 S   | 6/2011 | Yeh             |           |
| D644,428 S   | 9/2011 | Feng            |           |

**1 Claim, 4 Drawing Sheets**



(56)

**References Cited**

U.S. PATENT DOCUMENTS

2003/0222149 A1 12/2003 Solomon et al.  
2008/0237432 A1 10/2008 Patterson  
2010/0072334 A1 3/2010 Le Gette et al.  
2010/0122924 A1 5/2010 Andrews  
2010/0294683 A1 11/2010 Mish et al.  
2011/0031287 A1 2/2011 Le Gette et al.

2011/0290687 A1 12/2011 Han  
2012/0043247 A1 2/2012 Westrup  
2012/0074272 A1 3/2012 Hull  
2012/0153116 A1 6/2012 Harrison  
2012/0224305 A1\* 9/2012 Yoo ..... 361/679.01  
2012/0275025 A1 11/2012 Parrill  
2013/0003281 A1\* 1/2013 Chen ..... 361/679.21  
2014/0021092 A1 1/2014 Murphy et al.  
2014/0131251 A1\* 5/2014 Westrup et al. .... 206/756

\* cited by examiner

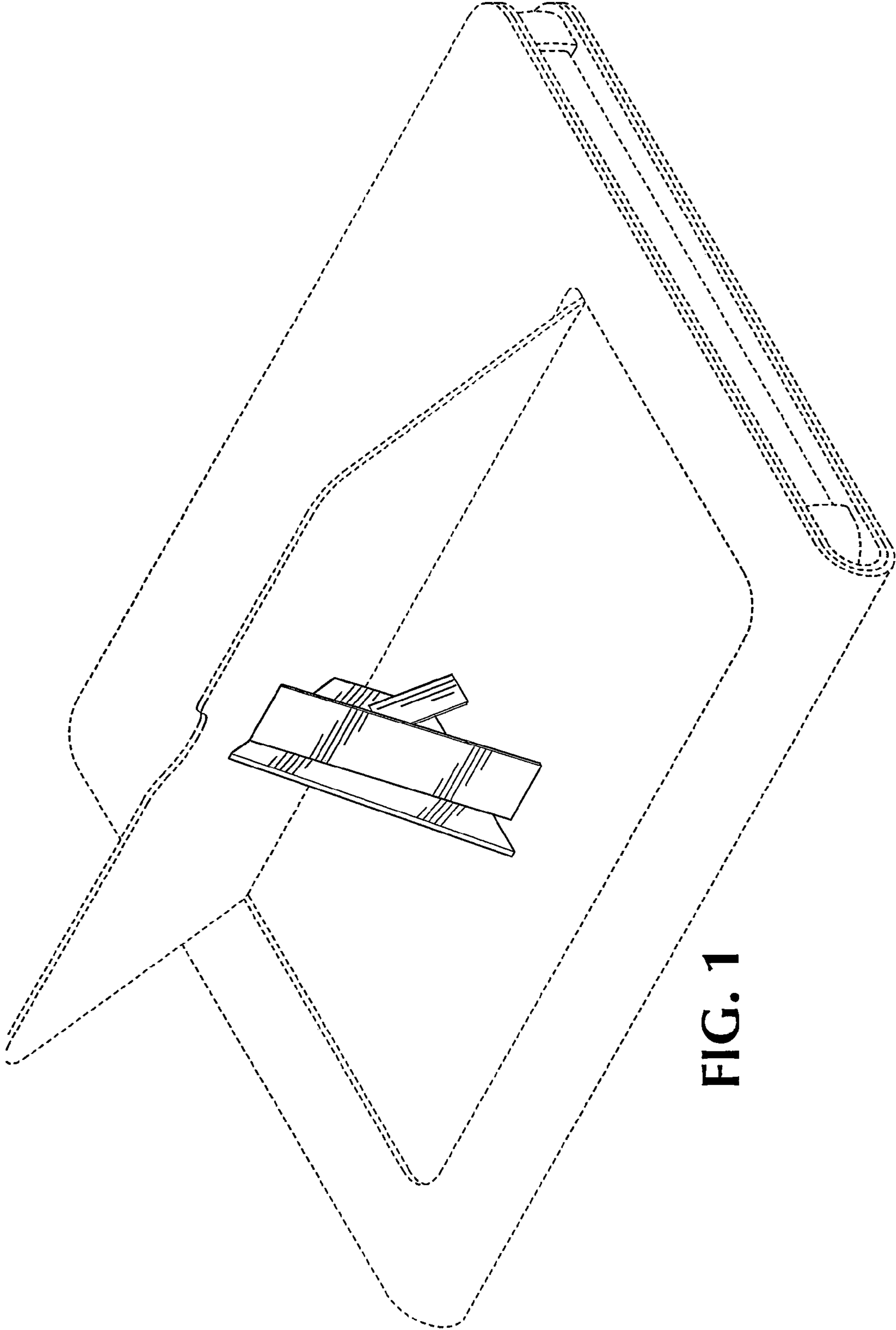


FIG. 1

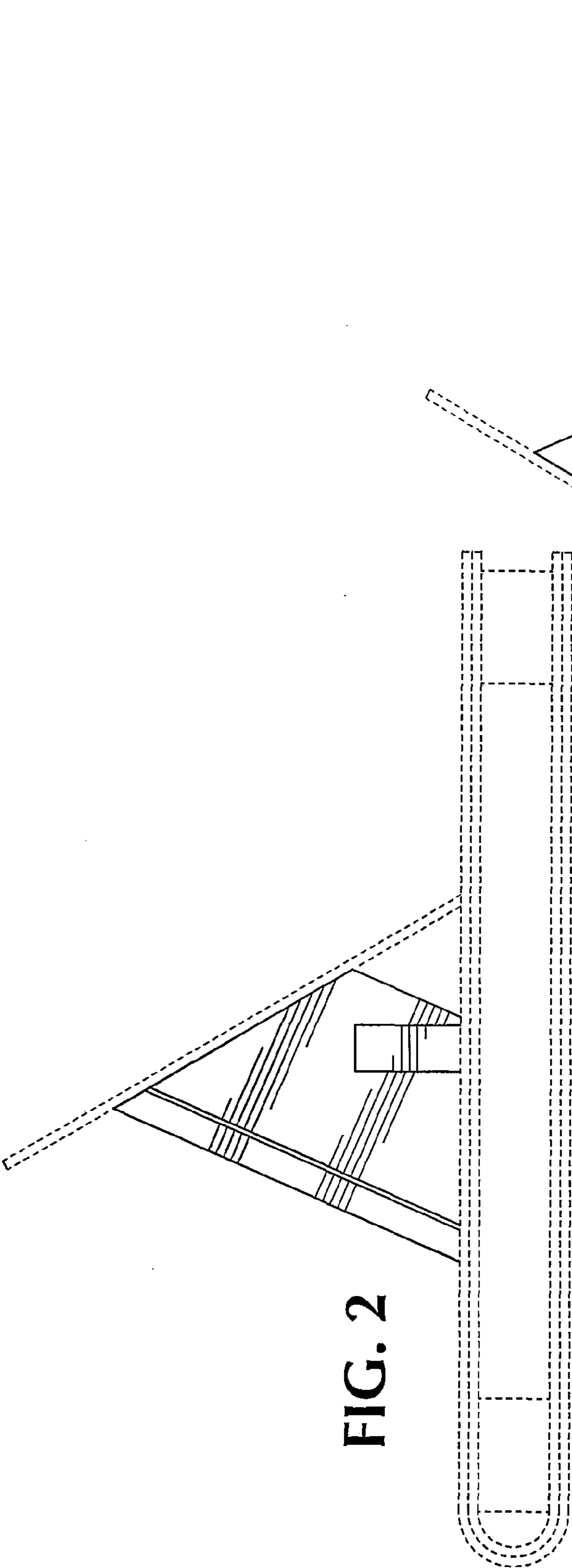


FIG. 2

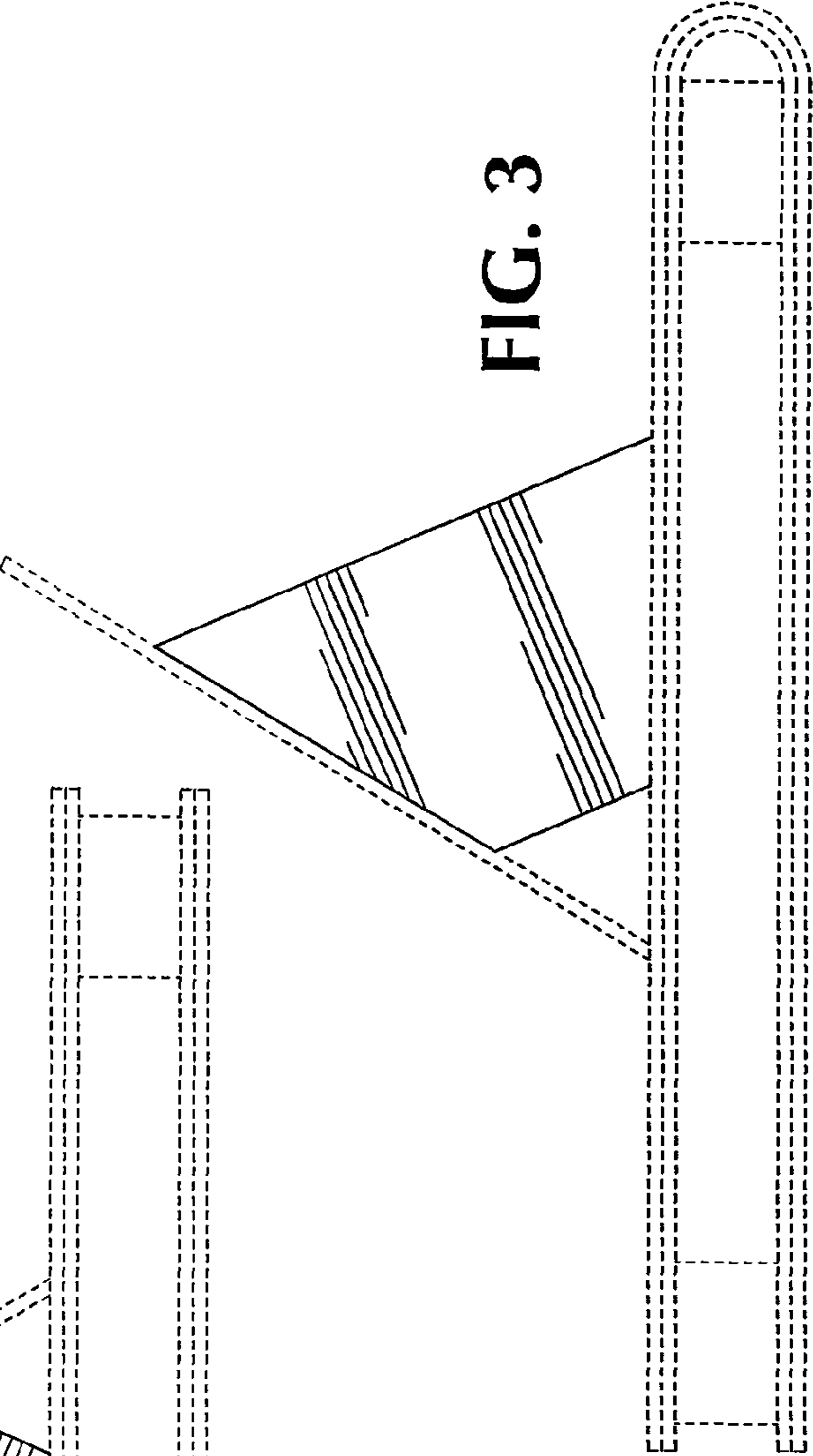


FIG. 3

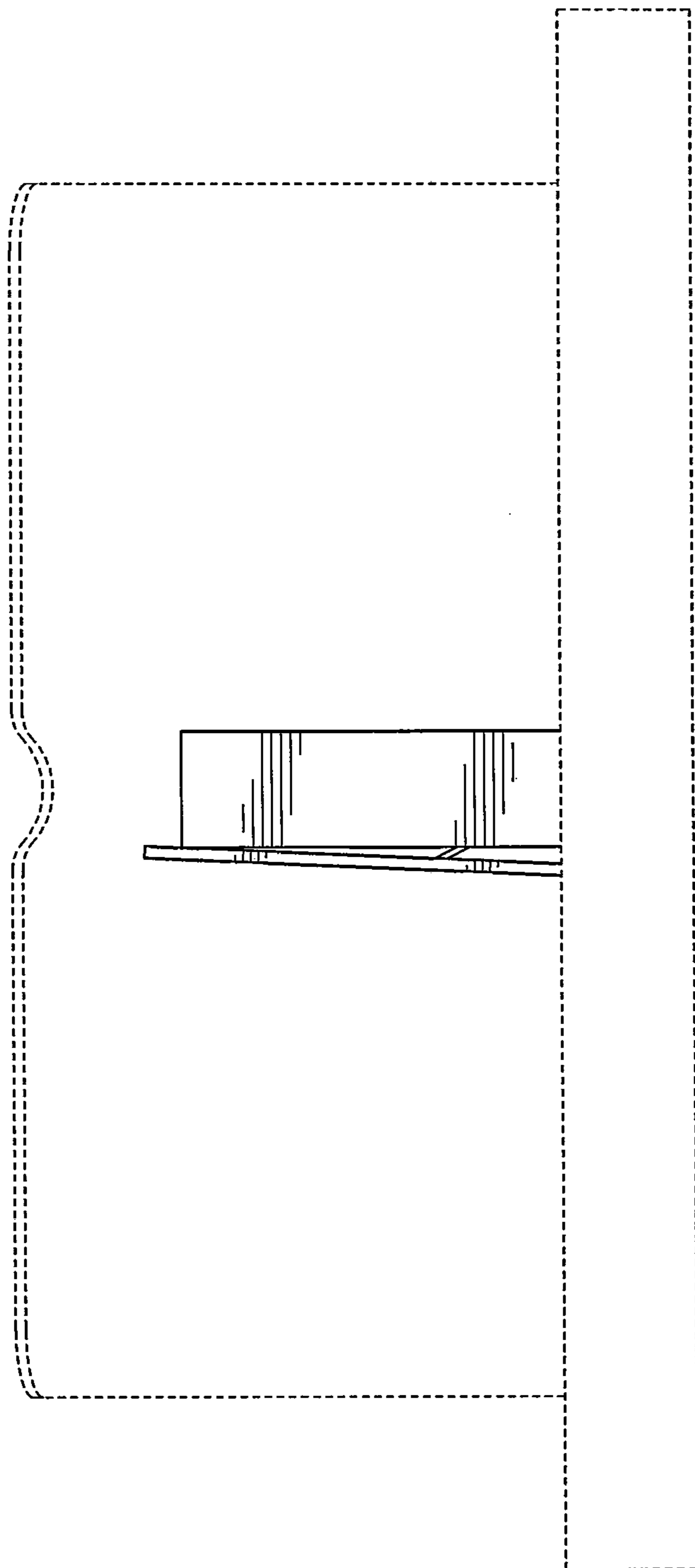


FIG. 4

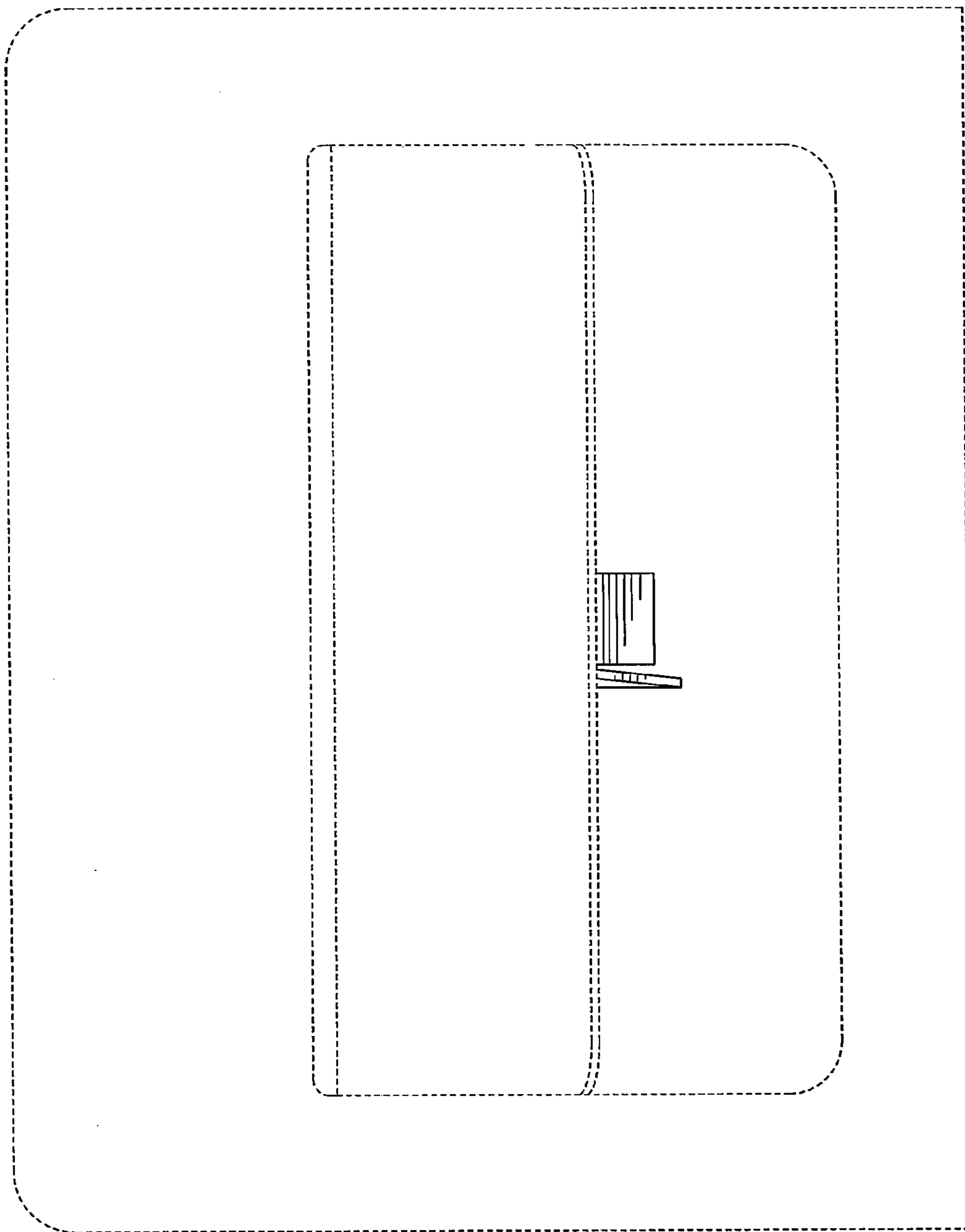


FIG. 5