



US00D718770S

(12) **United States Design Patent**
Specht et al.

(10) **Patent No.:** **US D718,770 S**
(45) **Date of Patent:** **** Dec. 2, 2014**

(54) **TABLET CASE AND STAND**

(71) Applicant: **Block and Company, Inc.**, Wheeling, IL (US)

(72) Inventors: **Paul E. Specht**, Glenview, IL (US);
John Sung Heup Yang, Northbrook, IL (US)

(73) Assignee: **Boock and Company, Inc.**, Wheeling, IL (US)

(**) Term: **14 Years**

(21) Appl. No.: **29/463,583**

(22) Filed: **Jan. 8, 2014**

(51) **LOC (10) Cl.** **08-07**

(52) **U.S. Cl.**
USPC **D14/447**

(58) **Field of Classification Search**
USPC D14/447, 432, 434, 439, 440, 451, 452,
D14/239, 251, 253, 217, 374, 375;
D6/406.3, 406.4, 406.5; D3/218;
D12/415; 248/917-924, 445, 447, 451,
248/455, 460, 150, 188.6, 176.1;
361/679.09, 679.21, 679.22, 679.26,
361/679.3, 679.55, 679.56

See application file for complete search history.

(56) **References Cited**

U.S. PATENT DOCUMENTS

D493,782 S *	8/2004	Axt	D14/253
D508,916 S *	8/2005	Lee	D14/447
D669,481 S *	10/2012	Prescott et al.	D14/447
D670,703 S *	11/2012	Hasbrook et al.	D14/447
D687,441 S *	8/2013	Janzen	D14/447
D687,832 S *	8/2013	Edwards et al.	D14/447
D693,352 S *	11/2013	Gelsomini et al.	D14/447

D696,675 S *	12/2013	Delrue et al.	D14/447
D704,195 S *	5/2014	Marquette	D14/447
D707,230 S *	6/2014	Castronovo et al.	D14/447
D708,187 S *	7/2014	Xiang	D14/447
D709,896 S *	7/2014	McKinstry et al.	D14/447
2004/0056161 A1 *	3/2004	Ishizaki et al.	248/176.3

OTHER PUBLICATIONS

Existing Highgrade Tablet Stand products as illustrated at <http://www.highgrade.com.tw/>.

* cited by examiner

Primary Examiner — Angela J Lee

(74) *Attorney, Agent, or Firm* — Husch Blackwell LLP

(57) **CLAIM**

The ornamental design for a tablet case and stand, as shown and described.

DESCRIPTION

FIG. 1 is a front perspective view of a tablet case and stand showing the new design;
FIG. 2 is another front perspective view thereof, as viewed from a higher angle;
FIG. 3 is a top front perspective view thereof;
FIG. 4 is a left perspective view thereof;
FIG. 5 is a right perspective view thereof;
FIG. 6 is a top perspective view thereof;
FIG. 7 is top rear perspective view thereof;
FIG. 8 is a rear perspective view thereof; and,
FIG. 9 is a partial rear bottom perspective detail view thereof. The bottom of the stand is flat and devoid of surface ornamentation.

The broken lines in the figures illustrate unclaimed environment and form no part of the claimed design.

1 Claim, 8 Drawing Sheets

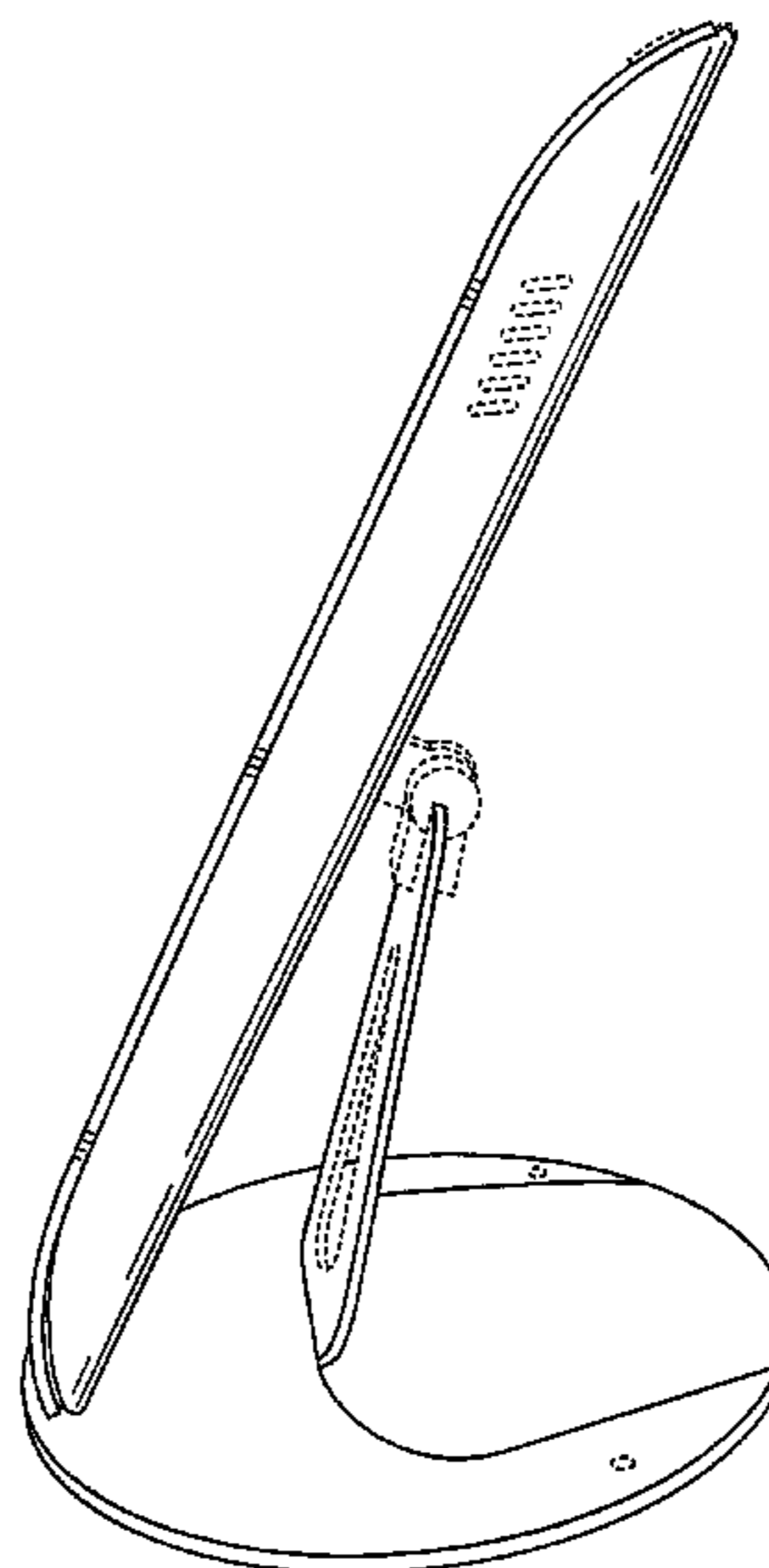
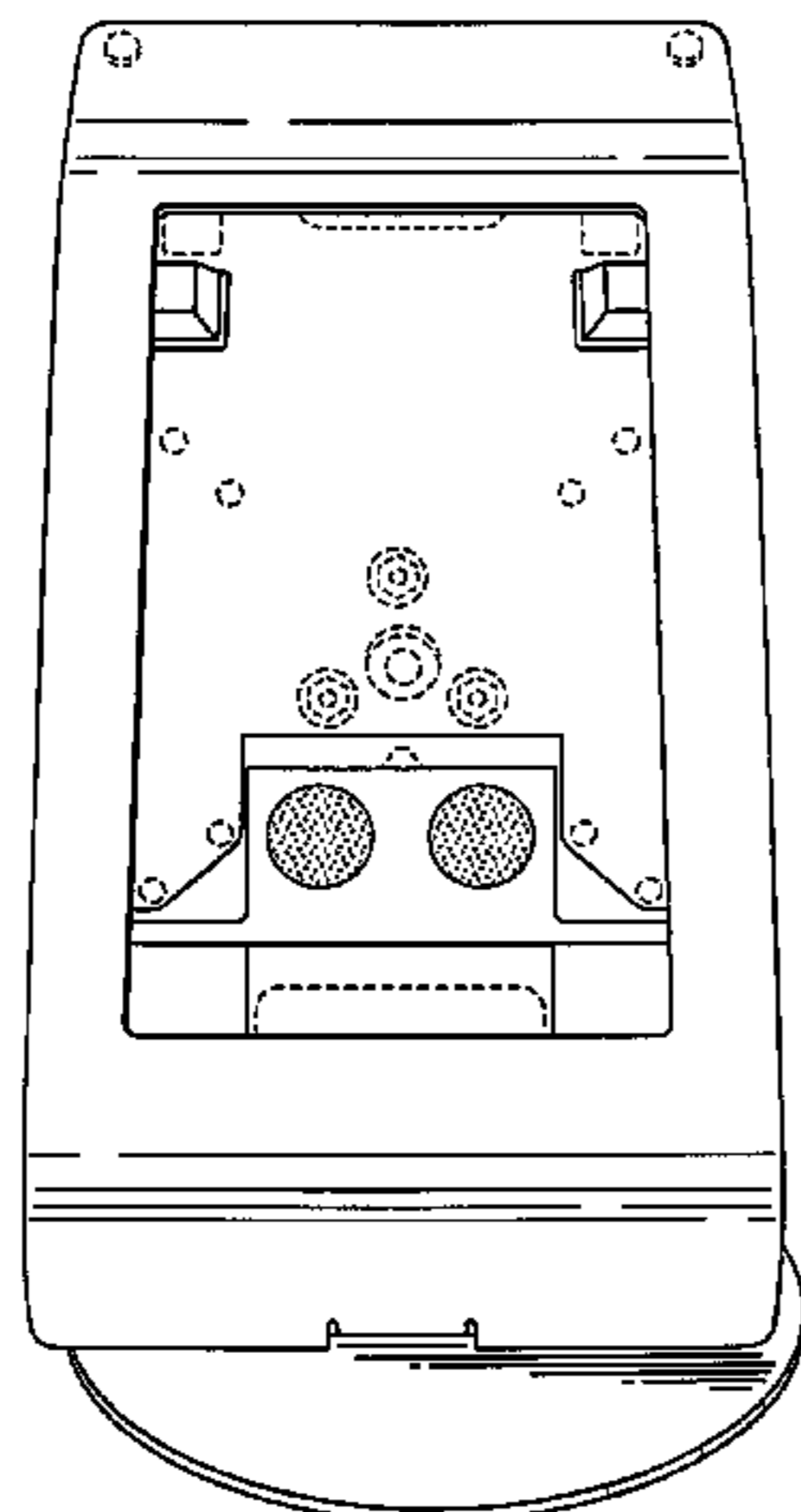


Fig. 1

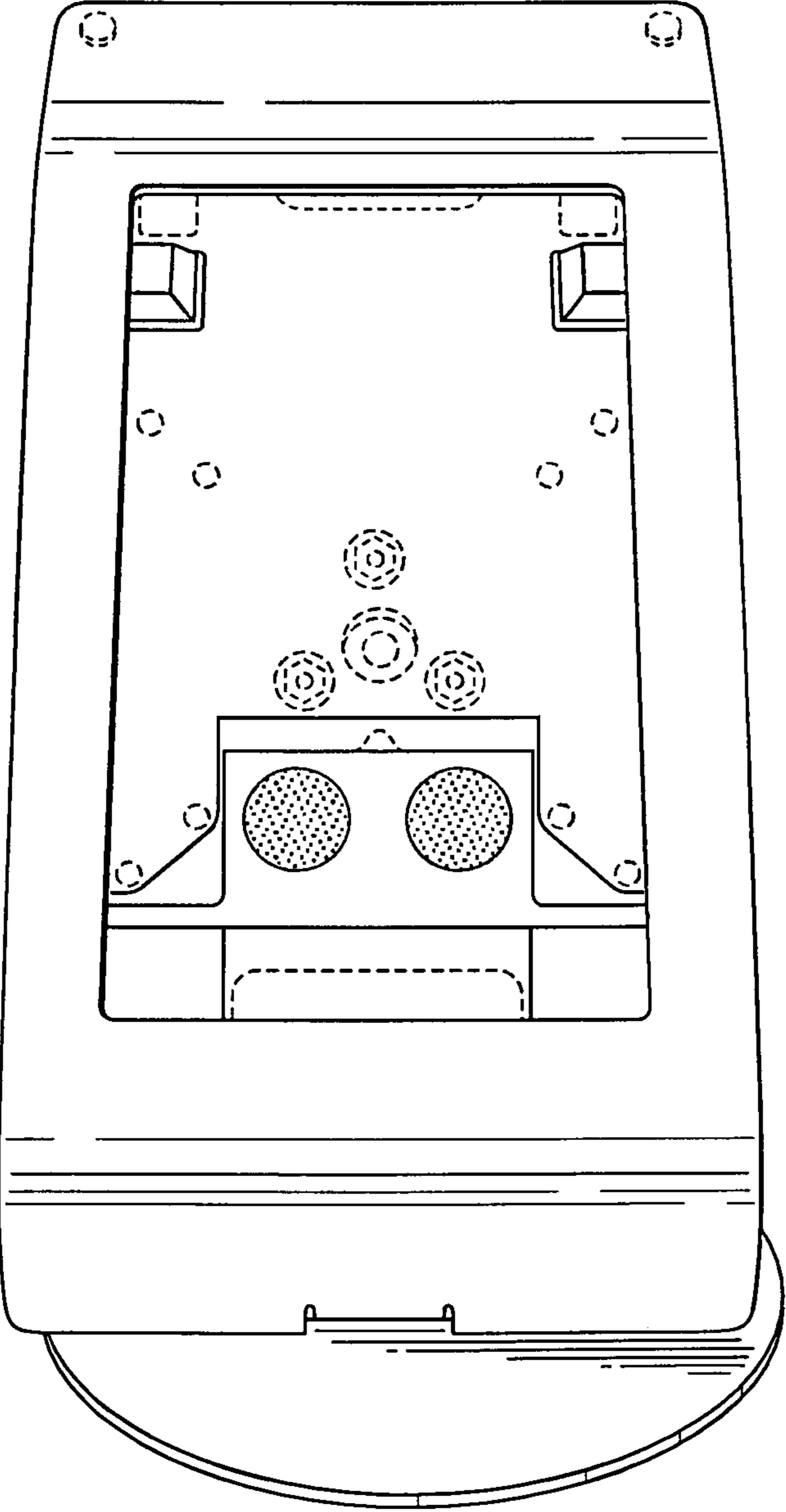


Fig. 2

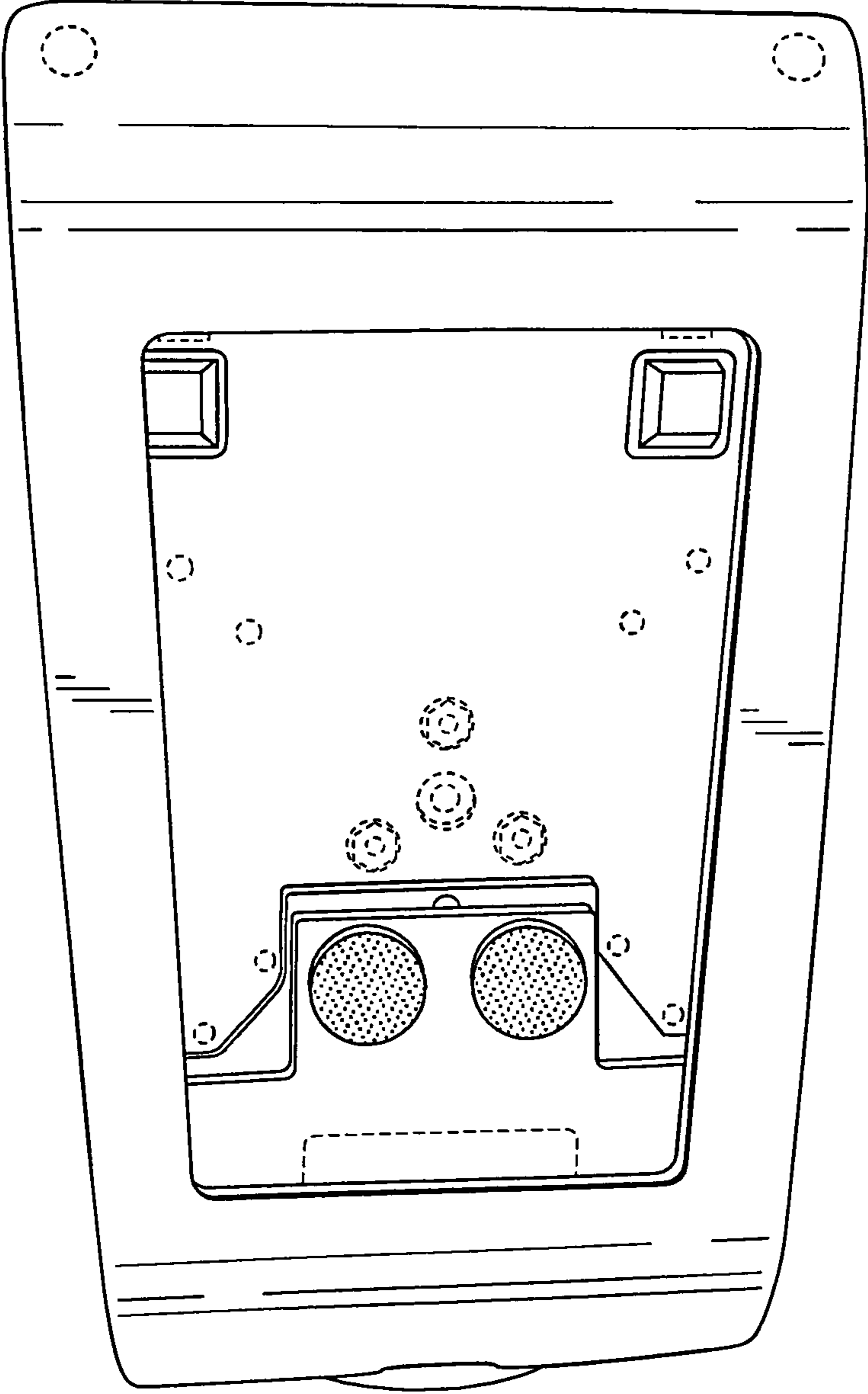


Fig. 3

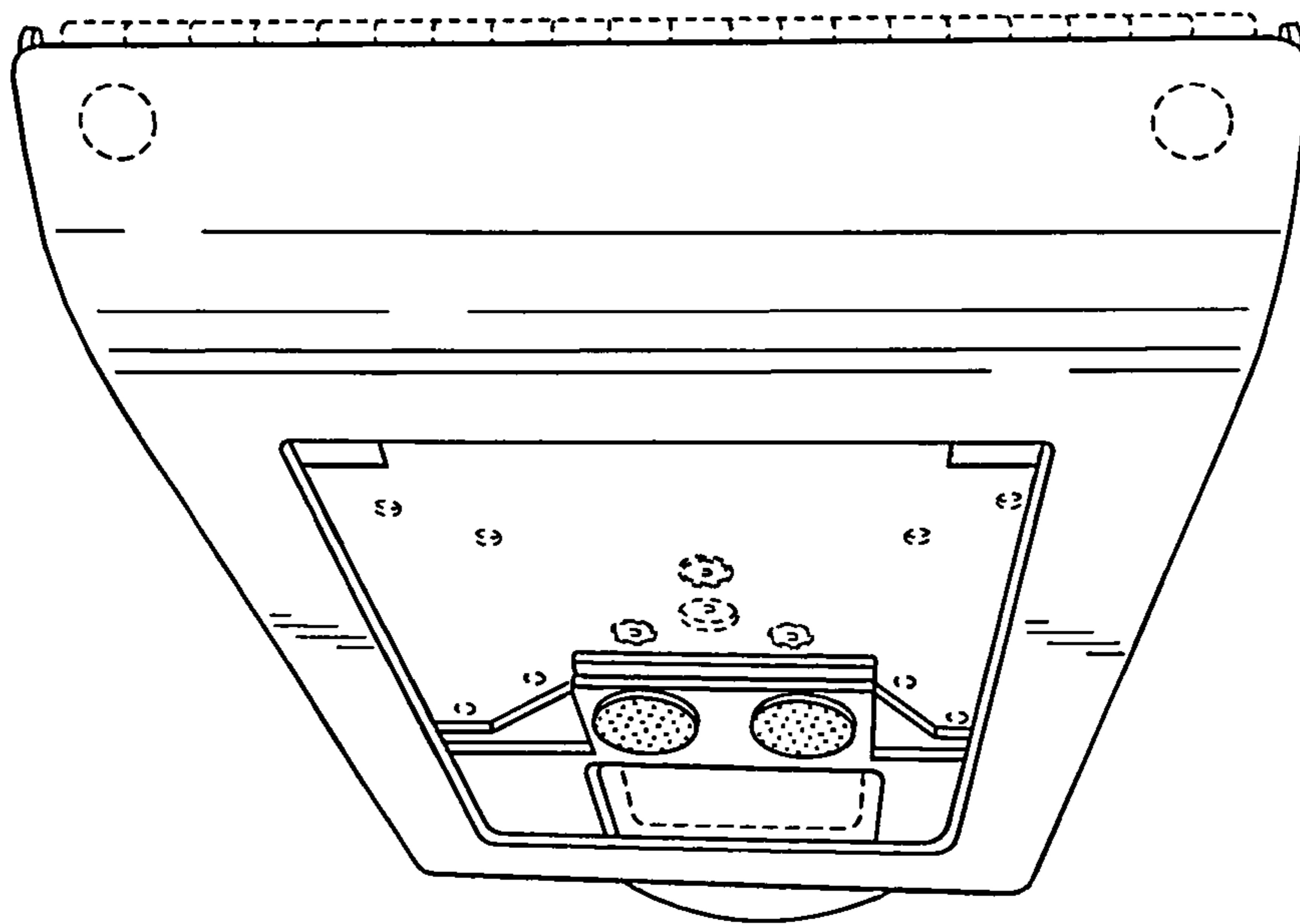


Fig. 4

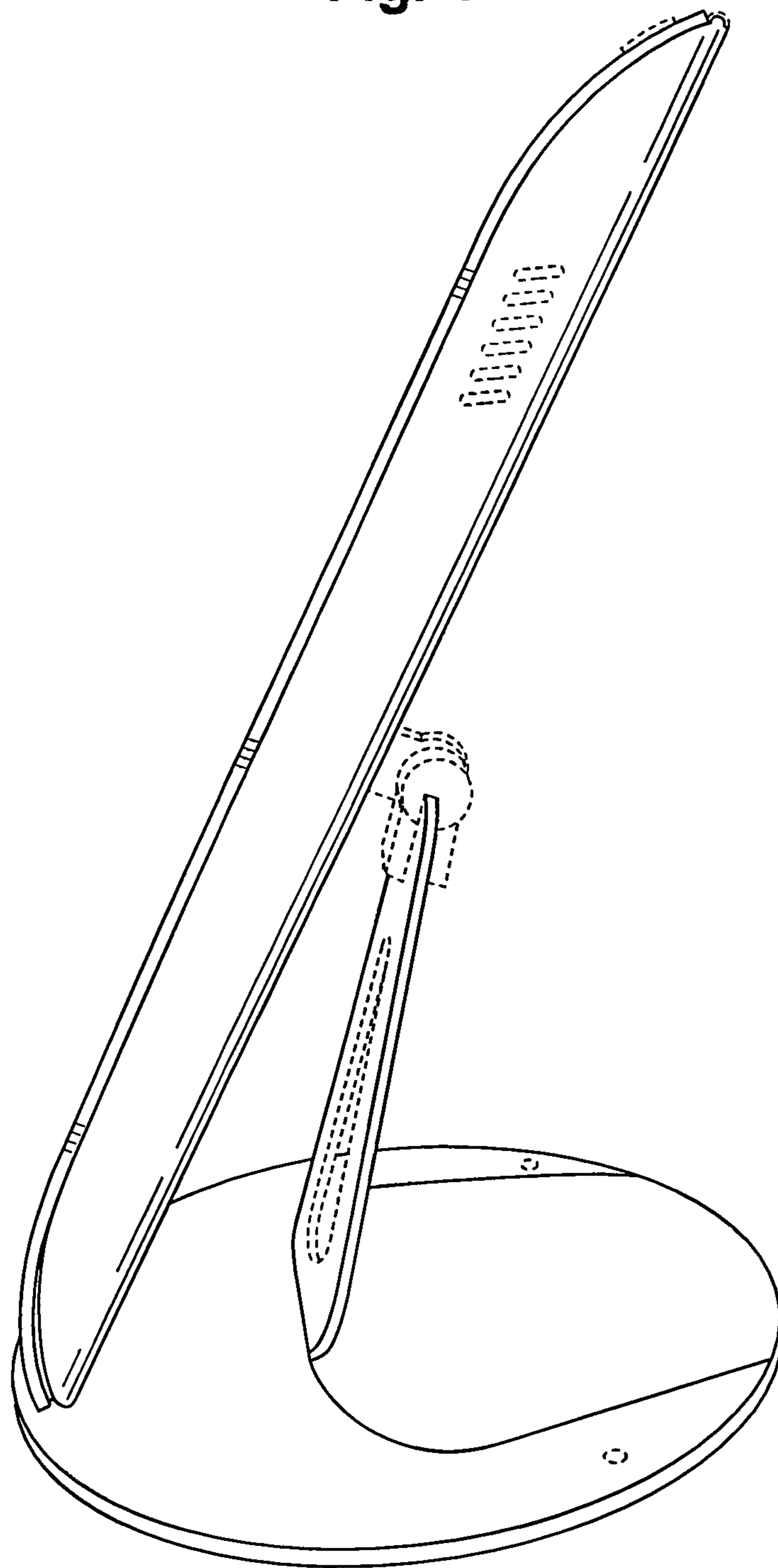


Fig. 5

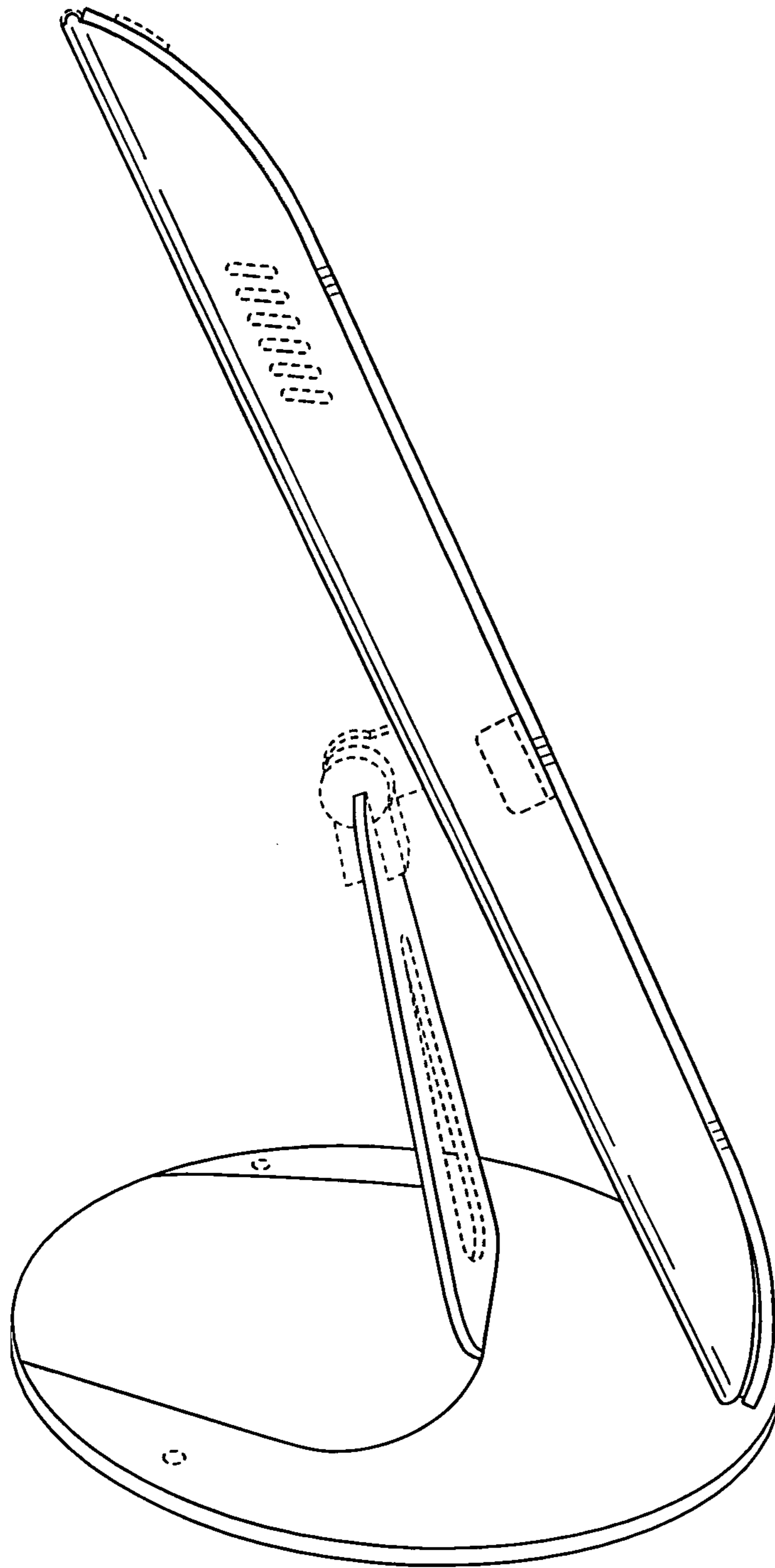


Fig. 6

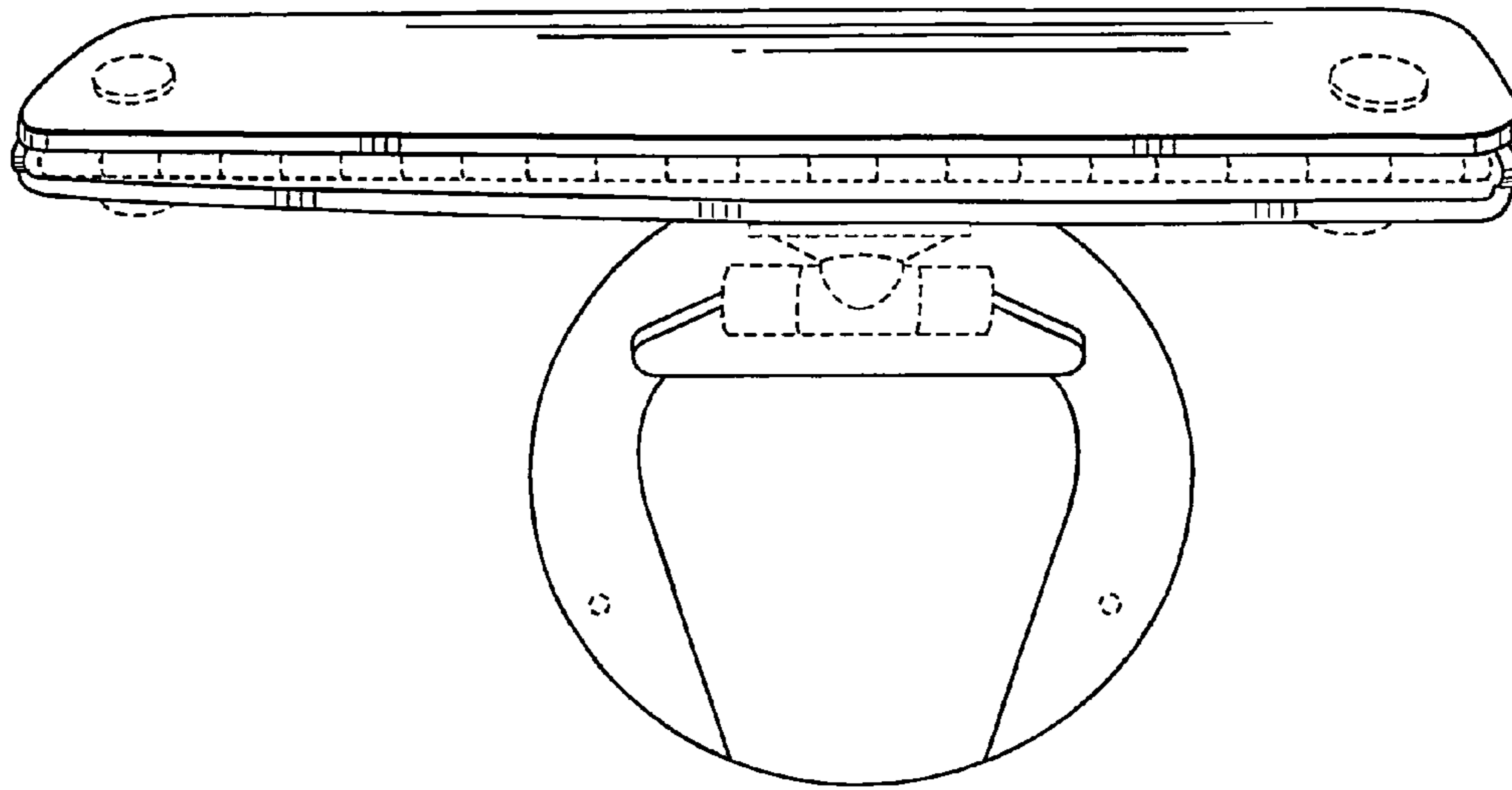


Fig. 7

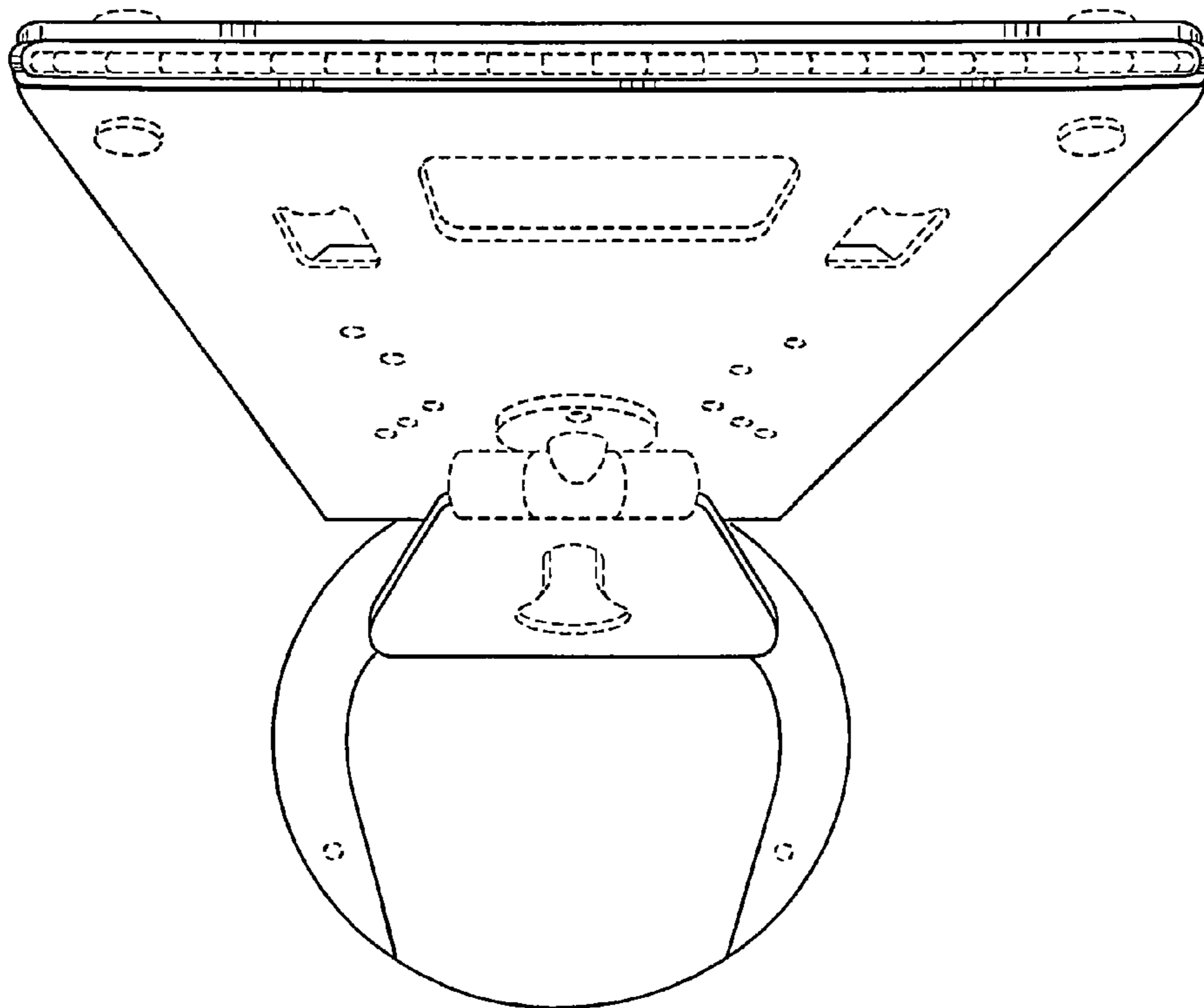


Fig. 8

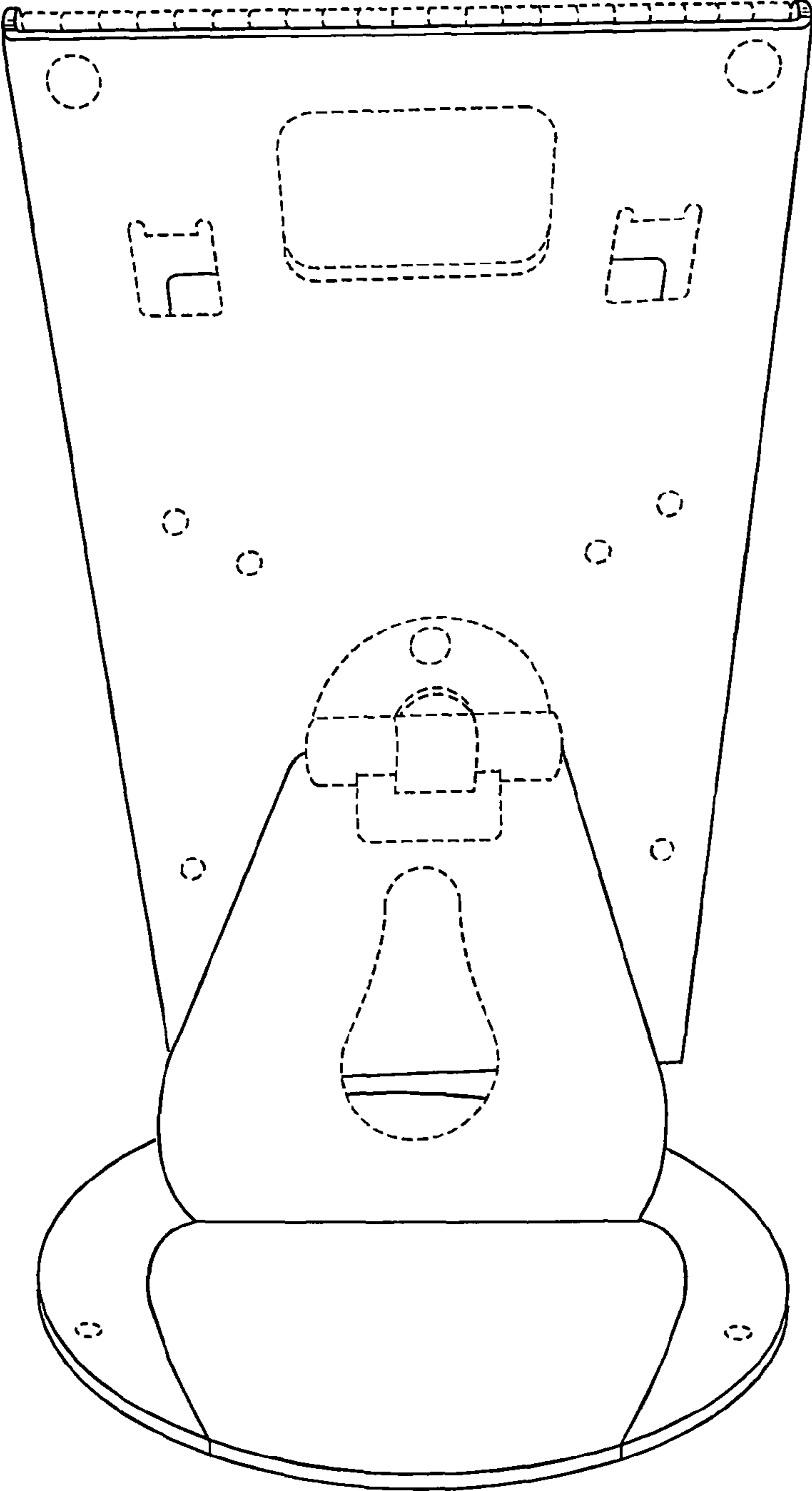


Fig. 9

