



US00D718769S

(12) **United States Design Patent**
Bassil

(10) **Patent No.:** **US D718,769 S**
(45) **Date of Patent:** **** Dec. 2, 2014**

- (54) **TABLET CASE**
- (71) Applicant: **Peter N Bassil**, Lodi, NJ (US)
- (72) Inventor: **Peter N Bassil**, Lodi, NJ (US)
- (**) Term: **14 Years**
- (21) Appl. No.: **29/473,121**
- (22) Filed: **Nov. 19, 2013**
- (51) **LOC (10) Cl.** **14-02**
- (52) **U.S. Cl.**
USPC **D14/440**
- (58) **Field of Classification Search**
CPC ... G06F 1/1601; G06F 1/1626; G06F 1/1633;
G06F 1/1675; G06F 1/1679; G02F 1/1306;
G02F 1/133; G02F 1/133308; G02F 1/153;
G02F 1/1533; G02F 2001/133317; H04M
1/185; H04M 1/0252; H04B 1/3888
USPC D14/250, 251, 253, 240, 217, 496, 440,
D14/203.3, 203.4, 203.5, 203.8, 341, 318;
D3/218, 215, 201, 294, 289, 900;
220/4.02; 248/309.1; 361/679.56;
379/426, 433.11, 455; 455/575.1,
455/575.8, 457.1; 190/100; 206/305, 320,
206/45.2; D21/469; 312/240
See application file for complete search history.

(56) **References Cited**

U.S. PATENT DOCUMENTS

4,259,568	A *	3/1981	Dynesen	235/1 D
5,847,698	A *	12/1998	Reavey et al.	345/173
6,269,948	B1 *	8/2001	Jackson	206/320
D499,551	S *	12/2004	Lederer et al.	D3/299
D517,545	S *	3/2006	Buckel et al.	D14/345
D517,911	S *	3/2006	Alexander et al.	D9/433
7,281,698	B2 *	10/2007	Patterson, Jr.	248/458
D669,480	S *	10/2012	Piedra et al.	D14/440
8,312,991	B2 *	11/2012	Diebel et al.	206/45.24

D674,799	S *	1/2013	Kim	D14/440
D674,800	S *	1/2013	Kim	D14/440
D690,305	S *	9/2013	Wen	D14/440
D696,256	S *	12/2013	Piedra et al.	D14/440
D699,244	S *	2/2014	Buckley	D14/440
D702,673	S *	4/2014	Murchison et al.	D14/250
D706,783	S *	6/2014	Almodova	D14/440
D707,229	S *	6/2014	Almodova	D14/440
8,763,795	B1 *	7/2014	Oten et al.	206/45.23
2010/0110629	A1 *	5/2010	Dietz et al.	361/679.55
2010/0294683	A1 *	11/2010	Mish et al.	206/320
2012/0043234	A1 *	2/2012	Westrup	206/320
2012/0212896	A1 *	8/2012	Schulz	361/679.02

* cited by examiner

Primary Examiner — Cynthia Underwood

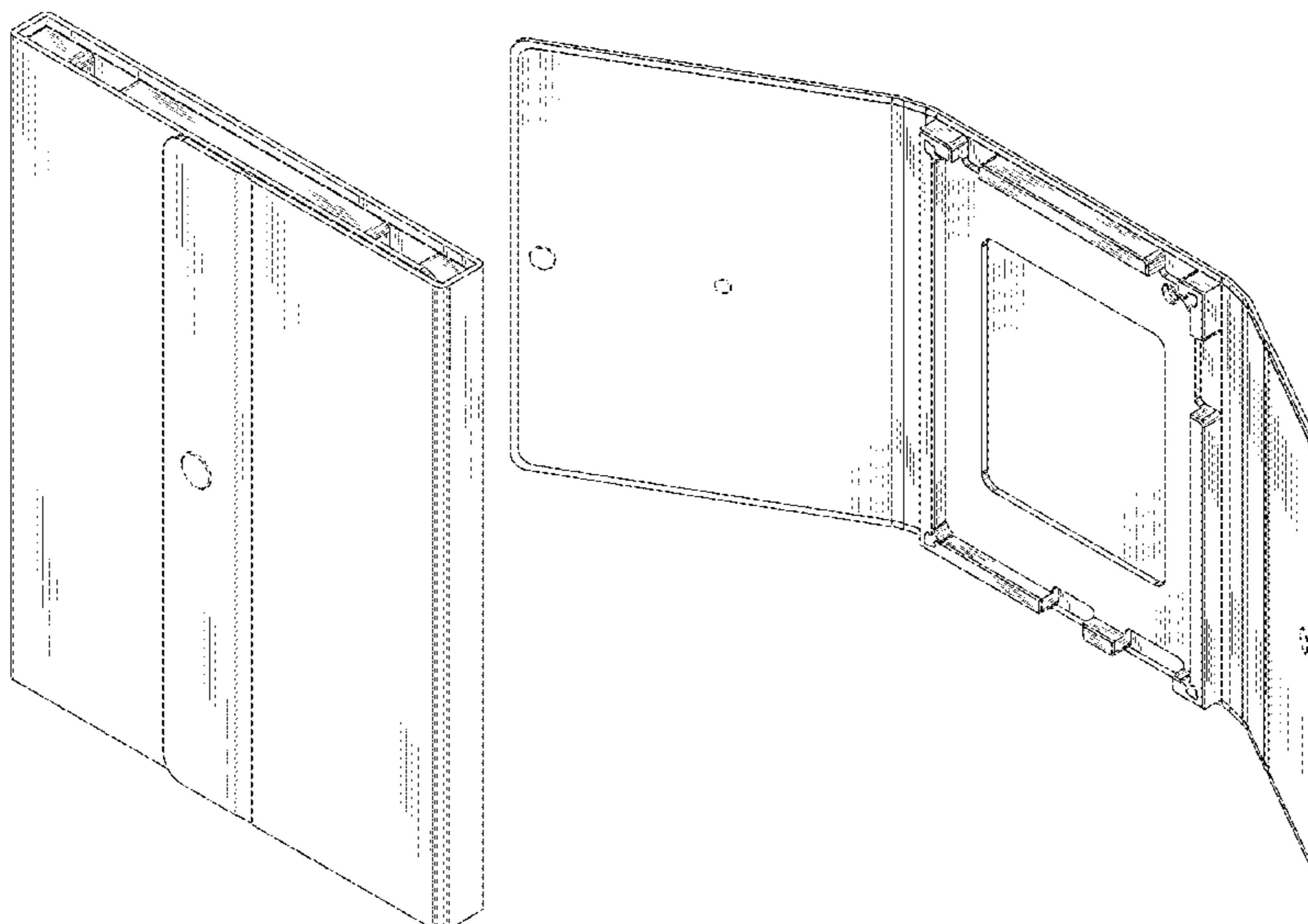
(57) **CLAIM**

The ornamental design for a tablet case, as shown and described.

DESCRIPTION

FIG. 1 is a perspective view of a tablet case;
 FIG. 2 is a front elevational view thereof;
 FIG. 3 is a rear elevational view thereof;
 FIG. 4 is a right-side elevational view thereof;
 FIG. 5 is a left-side elevational view thereof;
 FIG. 6 is a top plan view thereof; and
 FIG. 7 is a bottom plan view thereof.
 FIG. 8 is a perspective view of the tablet case with the outer case partially opened;
 FIG. 9 is a front elevational view thereof;
 FIG. 10 is a rear elevational view thereof;
 FIG. 11 is a right elevational view thereof;
 FIG. 12 is a left elevational view thereof;
 FIG. 13 is a top elevational view thereof; and,
 FIG. 14 is a bottom elevational view thereof.
 The broken lines showing magnets and fasteners are included for the purpose of illustrating environmental structure and forms no part of the claimed design.

1 Claim, 14 Drawing Sheets



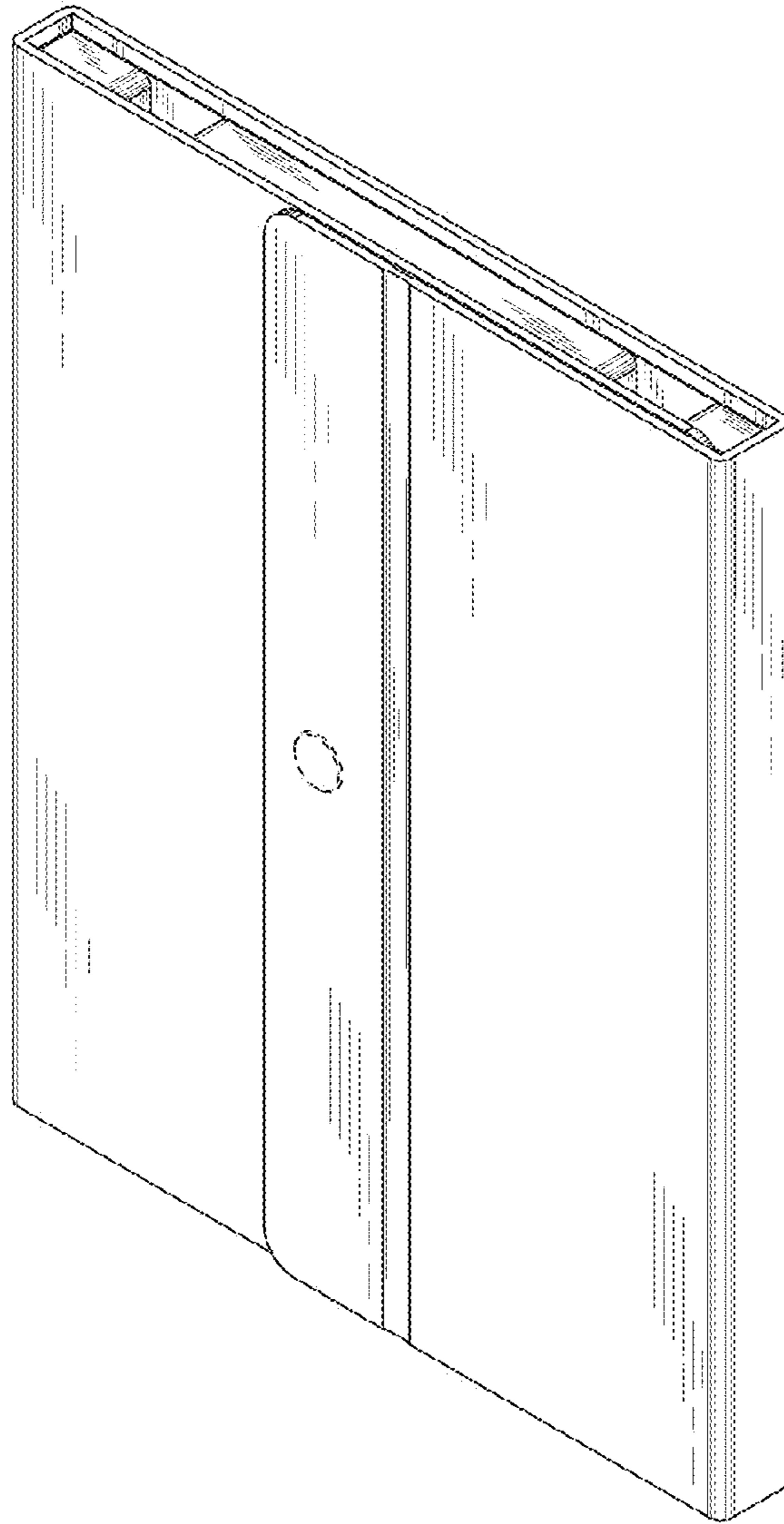


Fig. 1

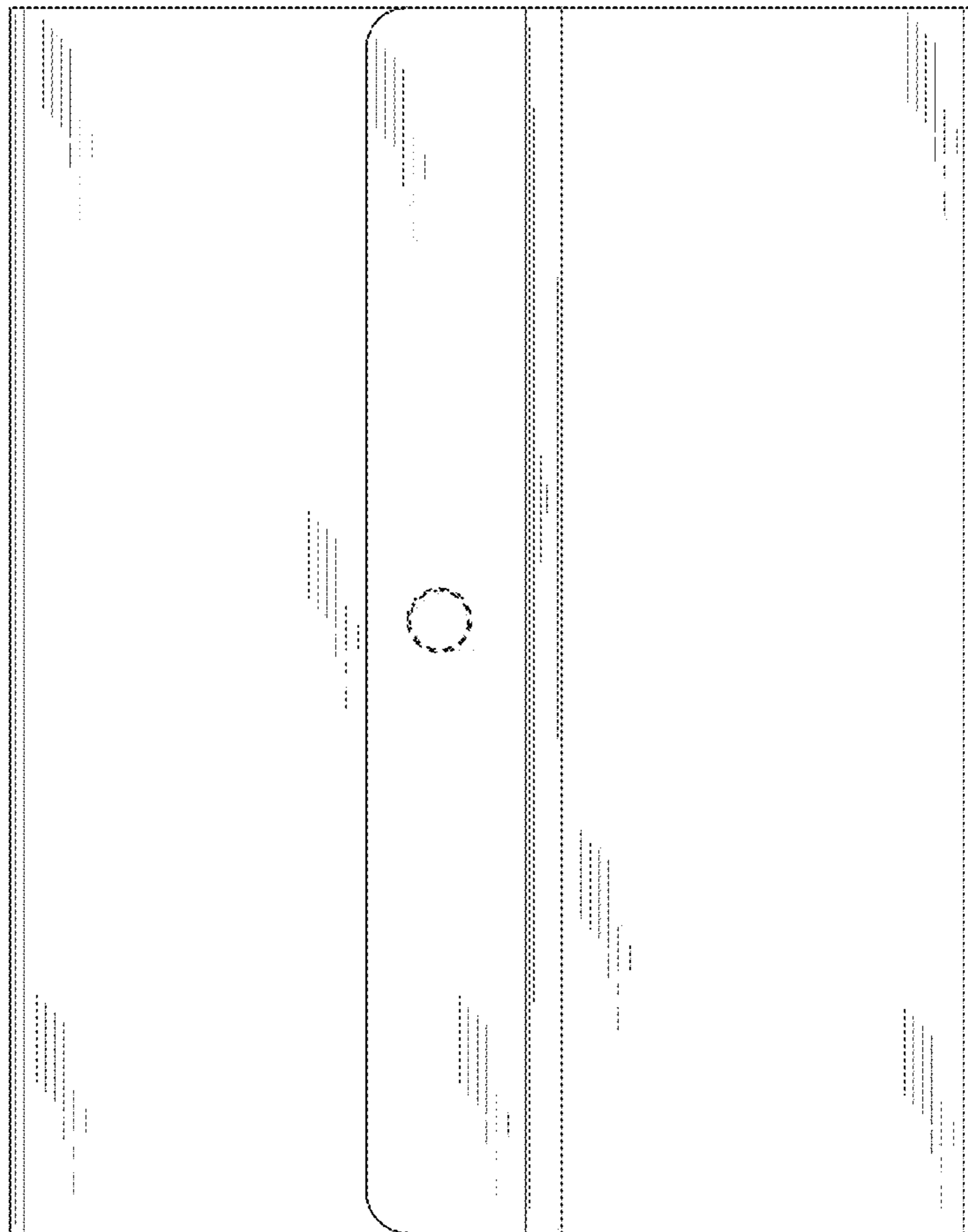


Fig. 2

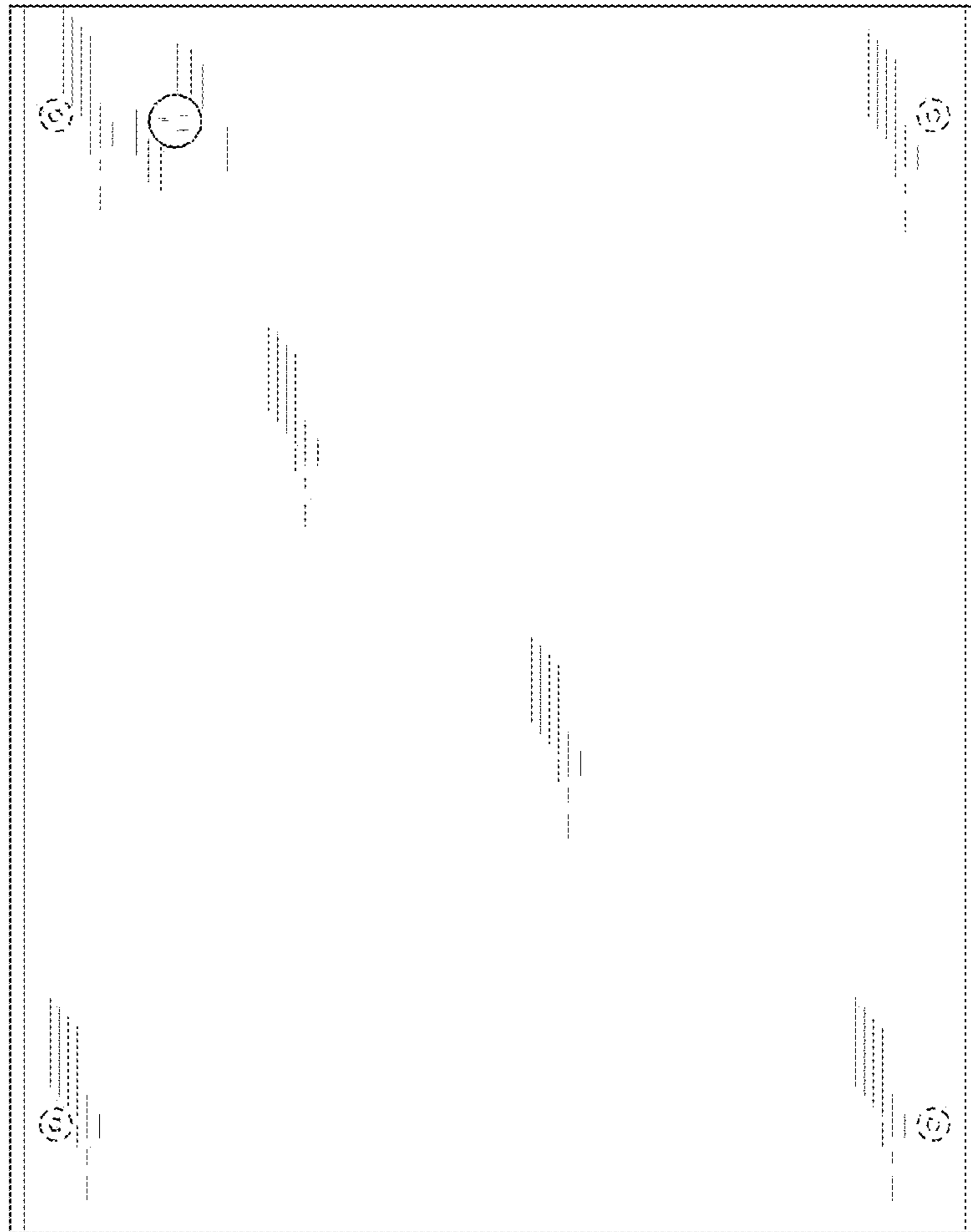


Fig. 3

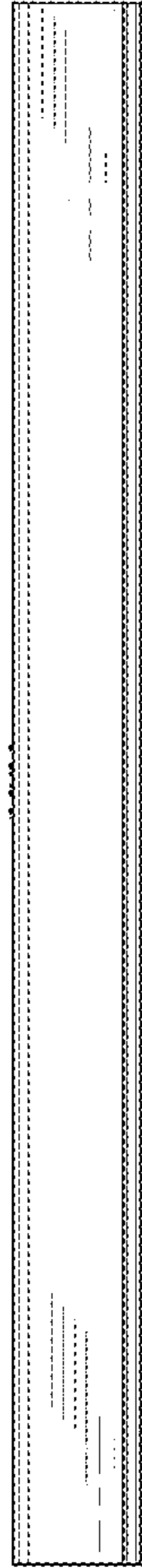


Fig. 4



Fig. 5



Fig. 6

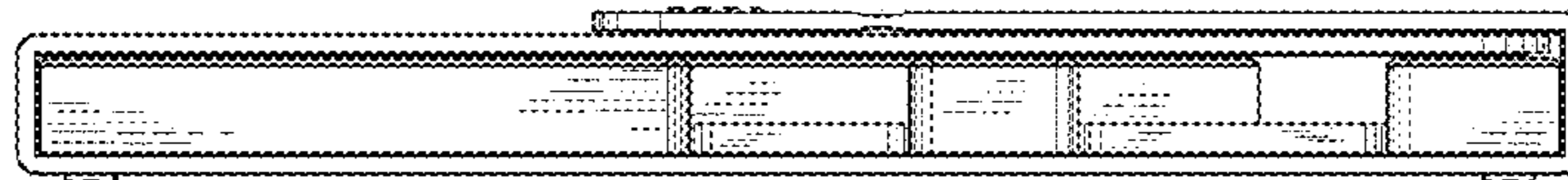


Fig. 7

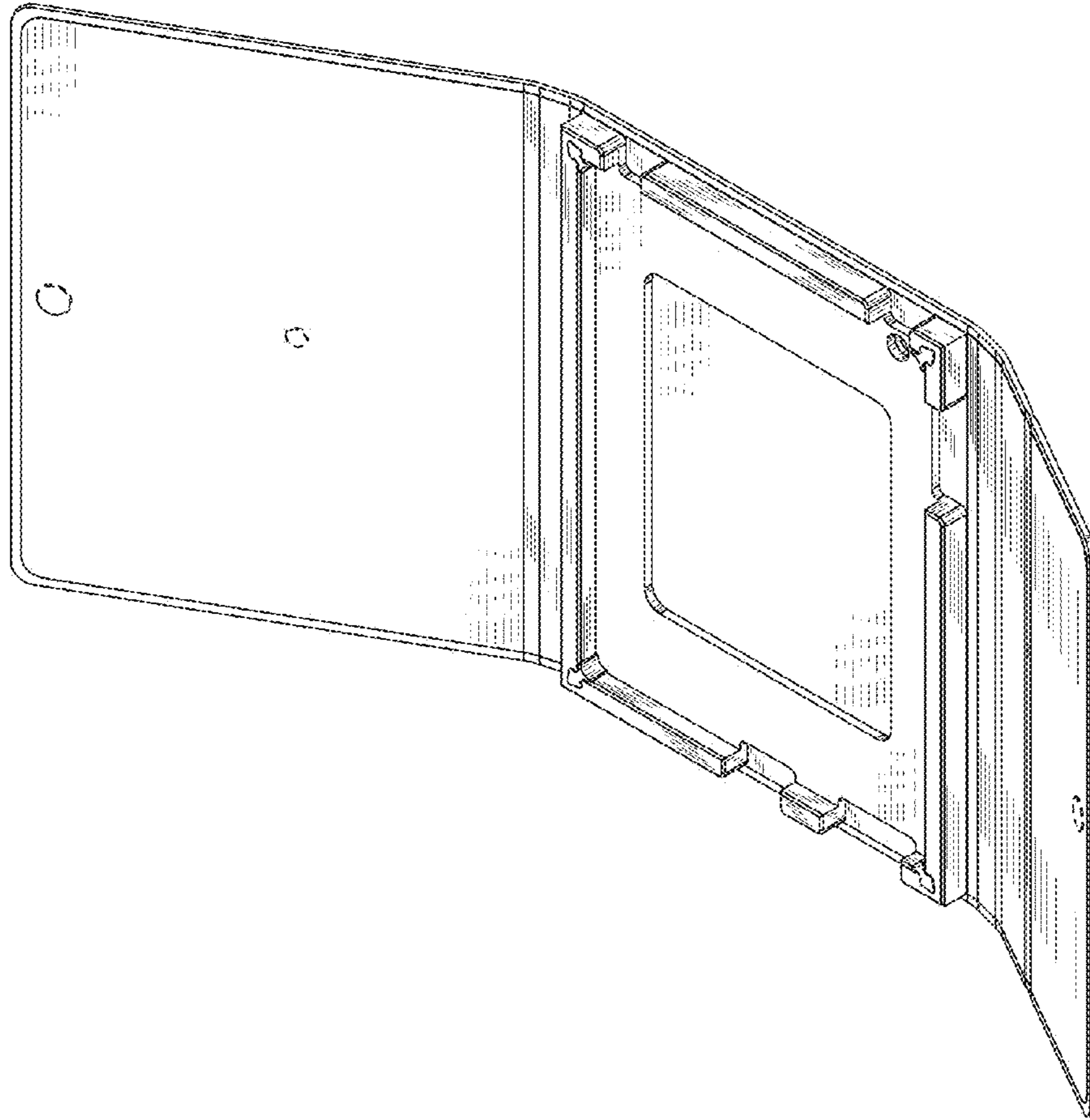


Fig. 8

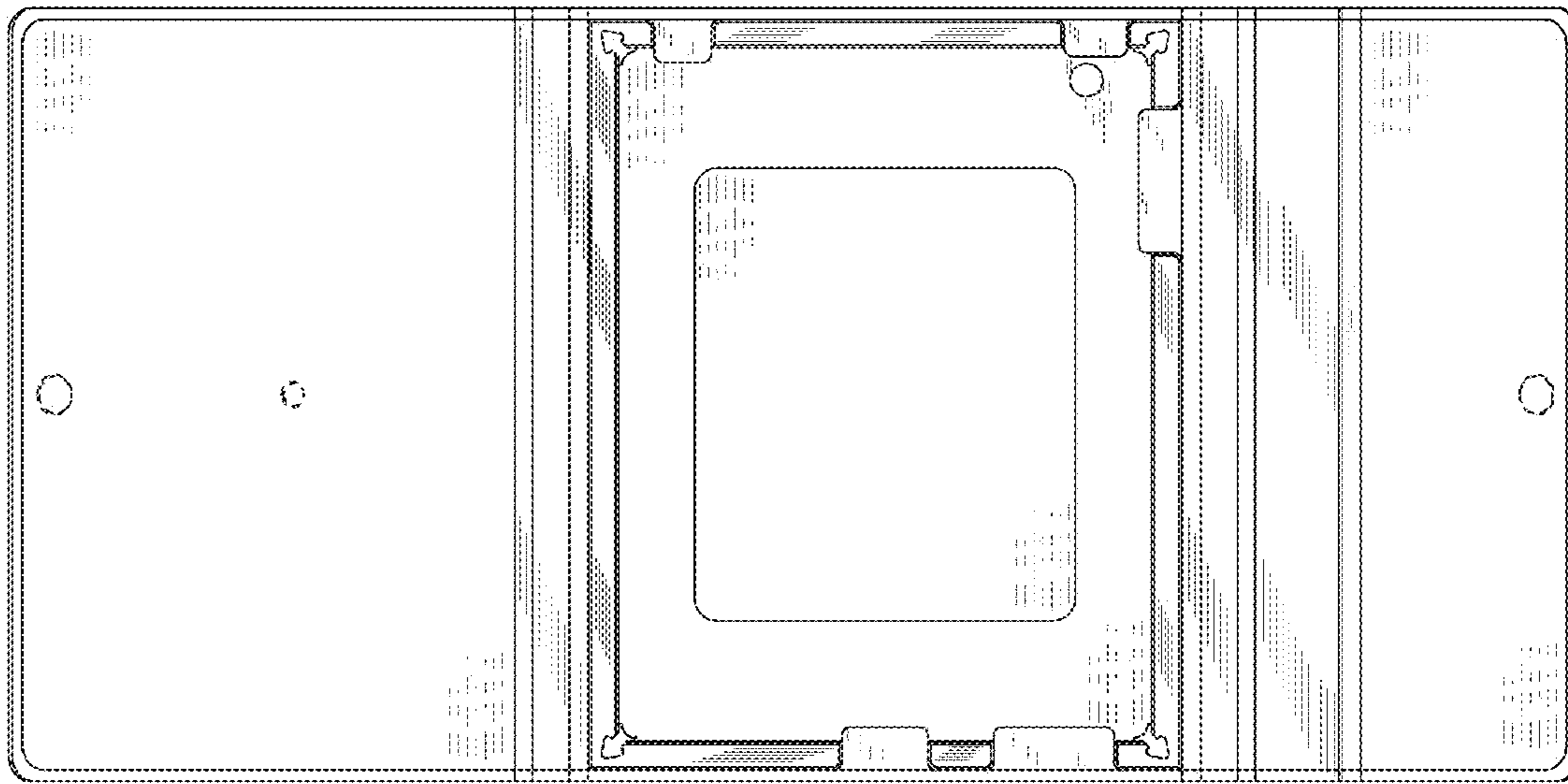


Fig. 9

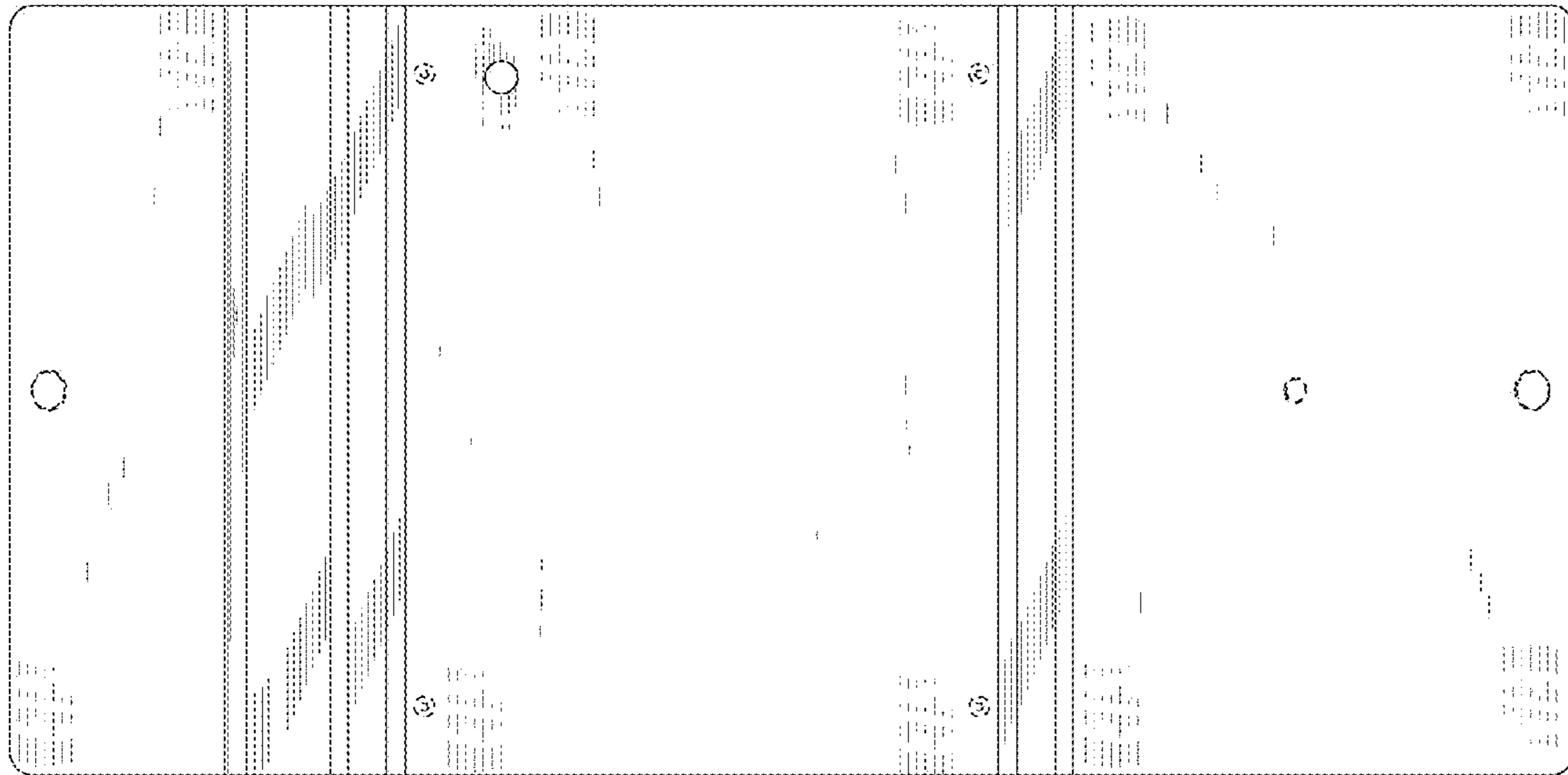


Fig. 10

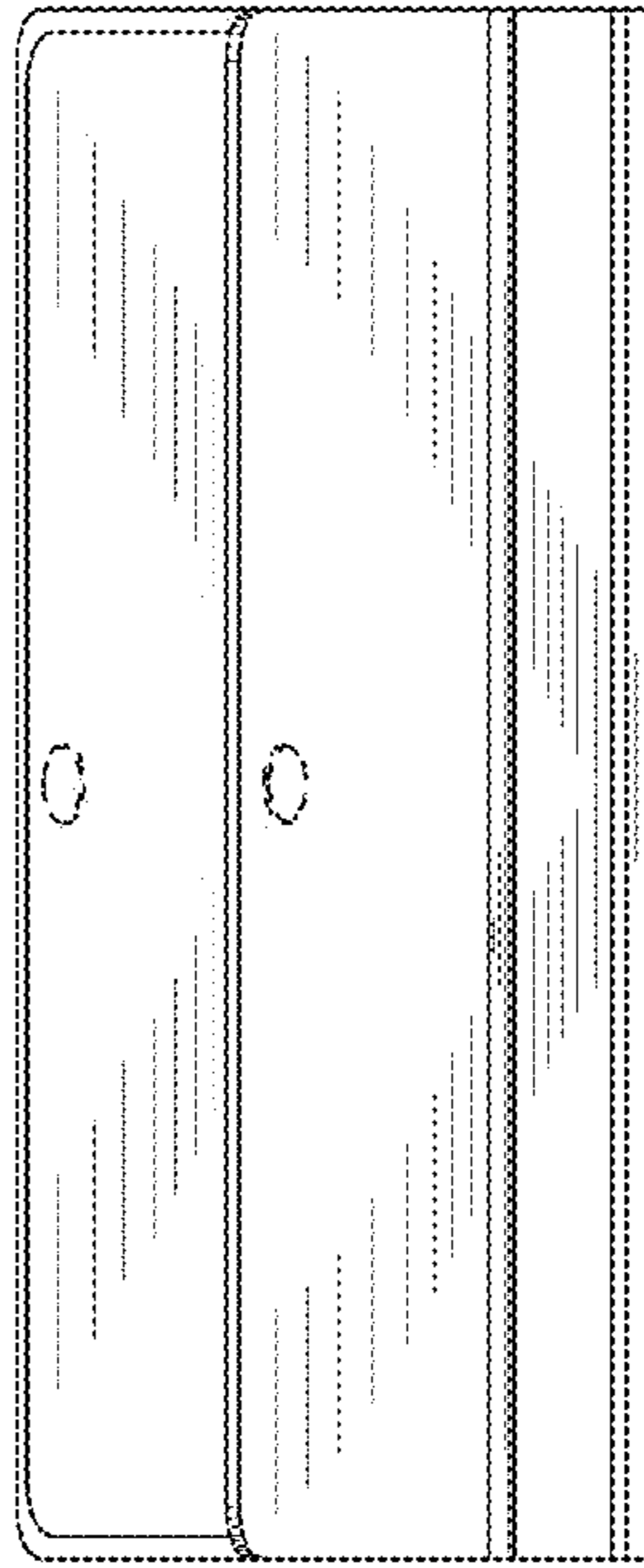


Fig. 11

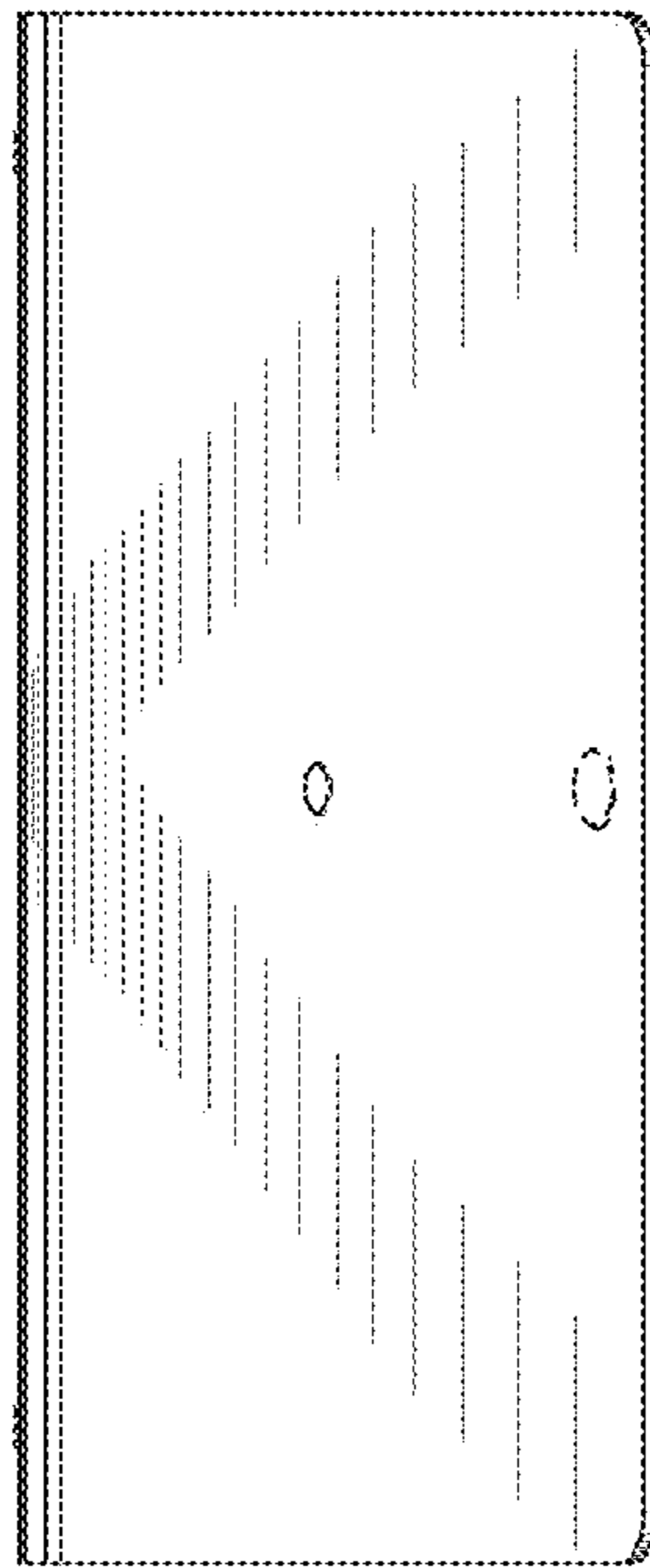


Fig. 12

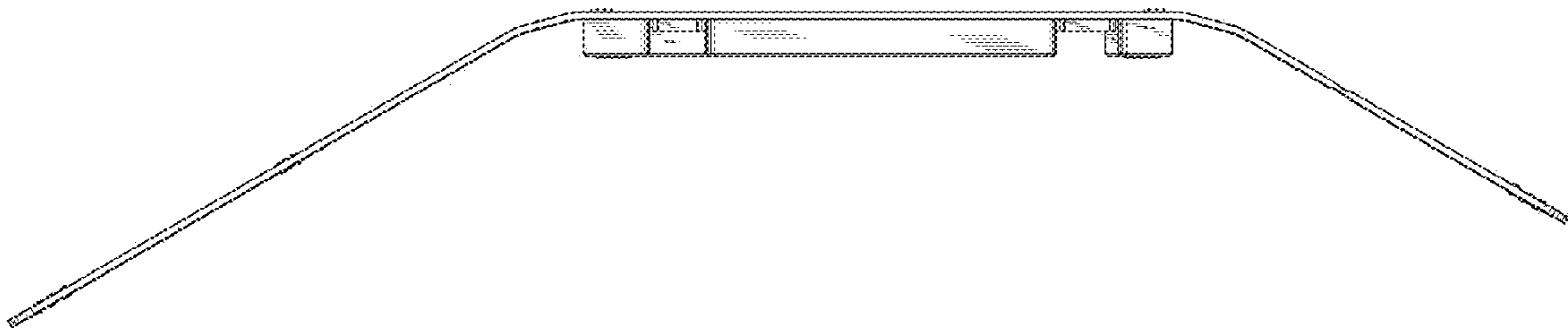


Fig. 13



Fig. 14