



US00D718768S

(12) **United States Design Patent**
Page

(10) **Patent No.:** US D718,768 S
(45) **Date of Patent:** ** Dec. 2, 2014

(54) **CROSS STRAP CASE FOR ELECTRONIC COMPUTER**

(71) Applicant: **Oliver Page**, Rome (IT)

(72) Inventor: **Oliver Page**, Rome (IT)

(**) Term: **14 Years**

(21) Appl. No.: **29/465,949**

(22) Filed: **Sep. 3, 2013**

(30) **Foreign Application Priority Data**

May 8, 2013 (EM) 002234005-0001

(51) **LOC (10) Cl.** **14-02**

(52) **U.S. Cl.**
USPC **D14/440; D14/345**

(58) **Field of Classification Search**

CPC ... G06F 1/1601; G06F 1/1626; G06F 1/1633;
G06F 1/1675; G06F 1/1679; G02F 1/1306;
G02F 1/133; G02F 1/133308; G02F 1/153;
G02F 1/1533; G02F 2001/133317; H04M
1/185; H04M 1/0252; H04B 1/3888
USPC D14/250, 251, 253, 240, 217, 496, 440,
D14/203.3, 203.4, 203.5, 203.8, 341, 318;
D3/218, 215, 201, 294, 289, 900;
220/4.02; 248/309.1; 361/679.56;
379/426, 433.11, 455; 455/575.1,
455/575.8, 457.1; 190/100; 206/305, 320,
206/45.2; D21/469; 312/240
See application file for complete search history.

(56) **References Cited**

U.S. PATENT DOCUMENTS

1,613,536 A * 1/1927 Rose 132/315
4,259,568 A * 3/1981 Dynesen 235/1 D
D469,438 S * 1/2003 Corrales D14/432
D473,562 S * 4/2003 Russell D14/447
6,772,879 B1 * 8/2004 Domotor 206/45.23
7,281,698 B2 * 10/2007 Patterson, Jr. 248/458

7,414,833 B2 * 8/2008 Kittayapong 361/679.27
7,735,644 B2 * 6/2010 Sirichai et al. 206/320
D638,254 S * 5/2011 Barber D7/354
D647,895 S * 11/2011 Fathollahi D14/250
D658,187 S * 4/2012 Diebel D14/440
D658,188 S * 4/2012 Diebel D14/440
8,230,992 B2 * 7/2012 Law et al. 206/320
D665,810 S * 8/2012 Jones et al. D14/440
8,245,843 B1 * 8/2012 Wu 206/320
8,312,991 B2 * 11/2012 Diebel et al. 206/45.24
D671,948 S * 12/2012 Akana et al. D14/440
D672,353 S * 12/2012 Liu D14/440
D674,803 S * 1/2013 Westrup D14/440
D675,625 S * 2/2013 Hasbrook et al. D14/440
D678,260 S * 3/2013 Bau D14/250
D678,293 S * 3/2013 Meehan D14/440
D679,715 S * 4/2013 Akana et al. D14/440
8,424,830 B2 * 4/2013 Yang et al. 248/459
D681,641 S * 5/2013 Van Den Nieuwenhuizen
et al. D14/440
D682,836 S * 5/2013 Akana et al. D14/440
D682,838 S * 5/2013 Akana et al. D14/440

(Continued)

Primary Examiner — Cynthia Underwood

(74) *Attorney, Agent, or Firm* — Hamre, Schumann,
Mueller & Larson, P.C.

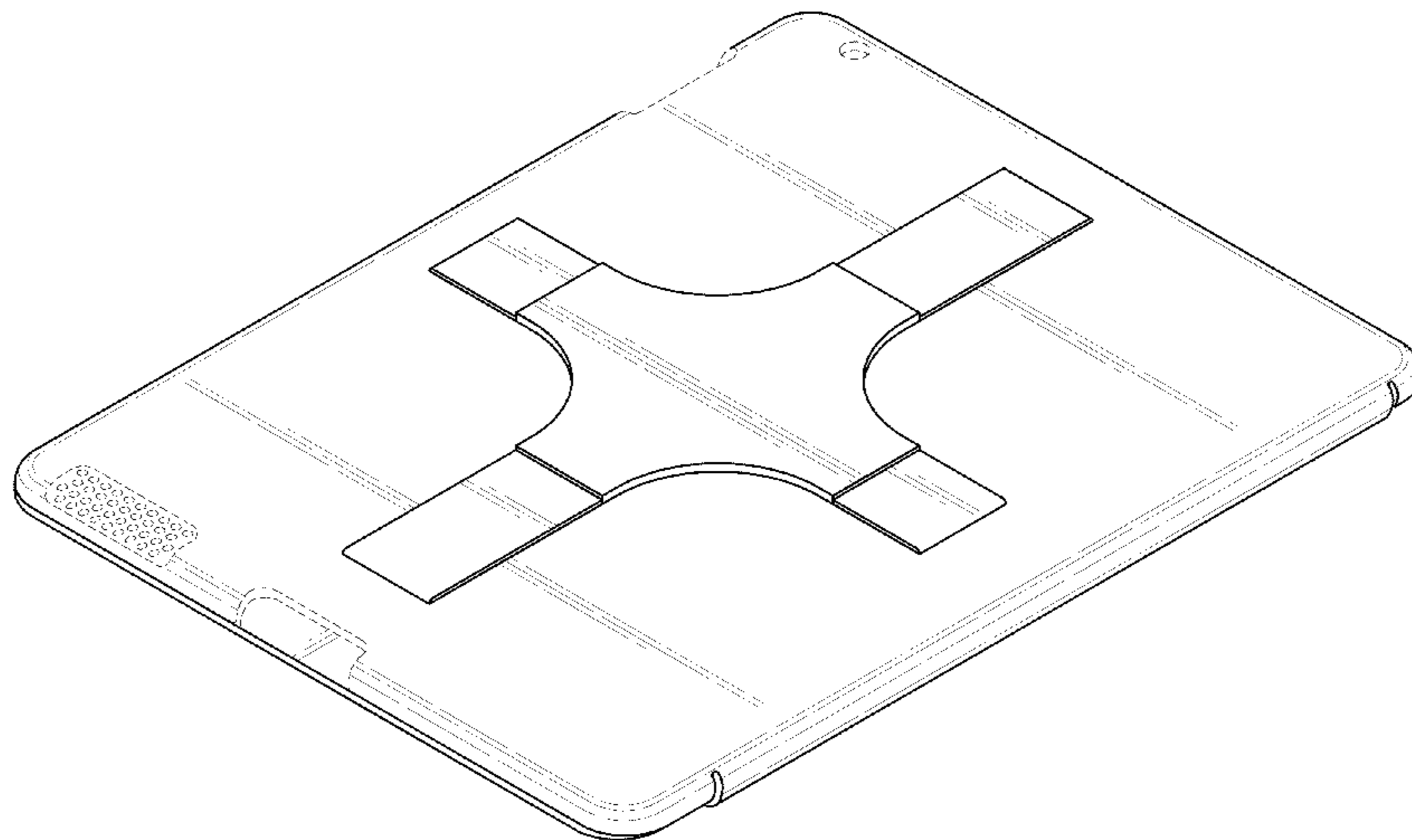
(57) **CLAIM**

The ornamental design for a cross strap case for electronic computer, as shown and described.

DESCRIPTION

FIG. 1 is a perspective view of a cross strap case for electronic computer;
FIG. 2 is a front view thereof;
FIG. 3 is a rear view thereof;
FIG. 4 is a left side thereof;
FIG. 5 is a right side thereof;
FIG. 6 is a top view thereof; and,
FIG. 7 is a bottom view thereof.
The broken lines shown in the Figures are for illustration purpose only and form no part of the claimed design.

1 Claim, 5 Drawing Sheets



(56)

References Cited

U.S. PATENT DOCUMENTS

| | | | | | | | | | | | |
|-----------|------|---------|------------------|-------|----------|--------------|------|---------|------------------|-------|-----------|
| D683,141 | S * | 5/2013 | Symons | | D6/310 | 8,757,375 | B2 * | 6/2014 | Huang | | 206/320 |
| D685,376 | S * | 7/2013 | Kim | | D14/439 | D708,838 | S * | 7/2014 | Lee | | D3/201 |
| D687,438 | S * | 8/2013 | Lu | | D14/440 | 8,763,795 | B1 * | 7/2014 | Oten et al. | | 206/45.23 |
| D690,305 | S * | 9/2013 | Wen | | D14/440 | 8,766,921 | B2 * | 7/2014 | Ballagas et al. | | 345/168 |
| D690,702 | S * | 10/2013 | Chung | | D14/440 | 8,773,353 | B2 * | 7/2014 | Wei | | 345/156 |
| D691,142 | S * | 10/2013 | Diebel | | D14/440 | 8,783,458 | B2 * | 7/2014 | Gallagher et al. | | 206/320 |
| D693,823 | S * | 11/2013 | Chen et al. | | D14/440 | D710,859 | S * | 8/2014 | Mecchella et al. | | D14/440 |
| D695,296 | S * | 12/2013 | Hsu | | D14/440 | 8,797,132 | B2 * | 8/2014 | Childs et al. | | 335/219 |
| D696,253 | S * | 12/2013 | Akana et al. | | D14/345 | 2003/0034263 | A1 * | 2/2003 | D'Hoste | | 206/320 |
| D696,256 | S * | 12/2013 | Piedra et al. | | D14/440 | 2007/0215512 | A1 * | 9/2007 | Bellissimo | | 206/557 |
| D696,669 | S * | 12/2013 | Akana et al. | | D14/440 | 2008/0302687 | A1 * | 12/2008 | Sirichai et al. | | 206/320 |
| 8,640,864 | B2 * | 2/2014 | Chen et al. | | 206/45.2 | 2009/0159763 | A1 * | 6/2009 | Kim | | 248/174 |
| 8,657,112 | B2 * | 2/2014 | Igarashi | | 206/320 | 2011/0266194 | A1 * | 11/2011 | Bau | | 206/736 |
| D701,205 | S * | 3/2014 | Akana et al. | | D14/345 | 2011/0290687 | A1 * | 12/2011 | Han | | 206/320 |
| D702,673 | S * | 4/2014 | Murchison et al. | | D14/250 | 2012/0211377 | A1 * | 8/2012 | Sajid | | 206/216 |
| D703,647 | S * | 4/2014 | Kim | | D14/250 | 2012/0211613 | A1 * | 8/2012 | Yang et al. | | 248/174 |
| D704,194 | S * | 5/2014 | Young | | D14/440 | 2012/0305413 | A1 * | 12/2012 | Chung | | 206/45.23 |
| D704,689 | S * | 5/2014 | Chang | | D14/250 | 2012/0308981 | A1 * | 12/2012 | Libin et al. | | 434/362 |
| D704,693 | S * | 5/2014 | Kim | | D14/250 | 2013/0015088 | A1 * | 1/2013 | Wu | | 206/320 |
| D706,270 | S * | 6/2014 | Akana et al. | | D14/440 | 2013/0020216 | A1 * | 1/2013 | Chiou | | 206/320 |
| D706,783 | S * | 6/2014 | Almodova | | D14/440 | 2013/0140203 | A1 * | 6/2013 | Chiang | | 206/320 |
| D707,229 | S * | 6/2014 | Almodova | | D14/440 | 2013/0213838 | A1 * | 8/2013 | Tsai et al. | | 206/320 |
| | | | | | | 2013/0214661 | A1 * | 8/2013 | McBroom | | 312/325 |
| | | | | | | 2013/0241381 | A1 * | 9/2013 | Hynecek et al. | | 312/240 |
| | | | | | | 2013/0264459 | A1 * | 10/2013 | McCosh et al. | | 248/688 |

* cited by examiner

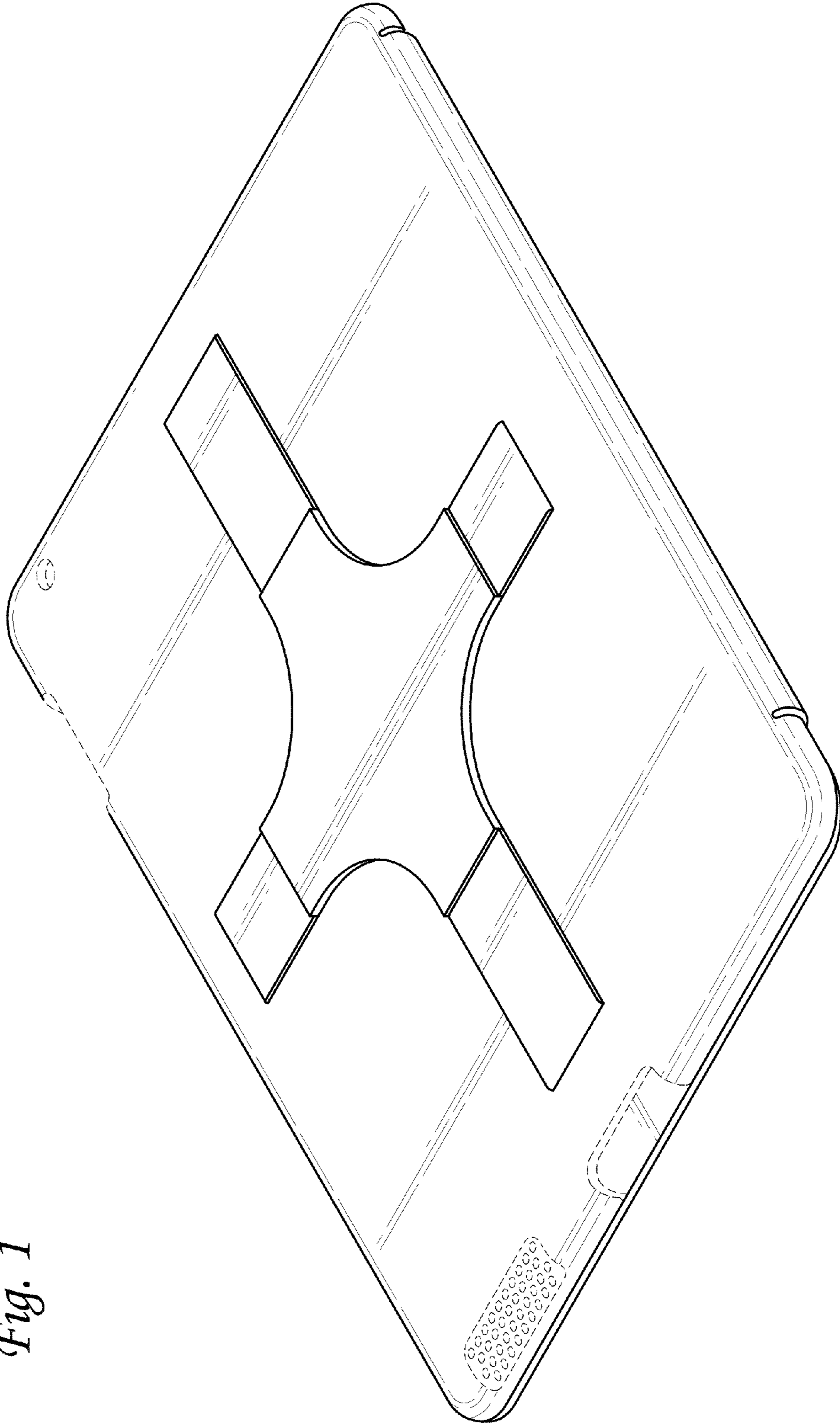


Fig. 1

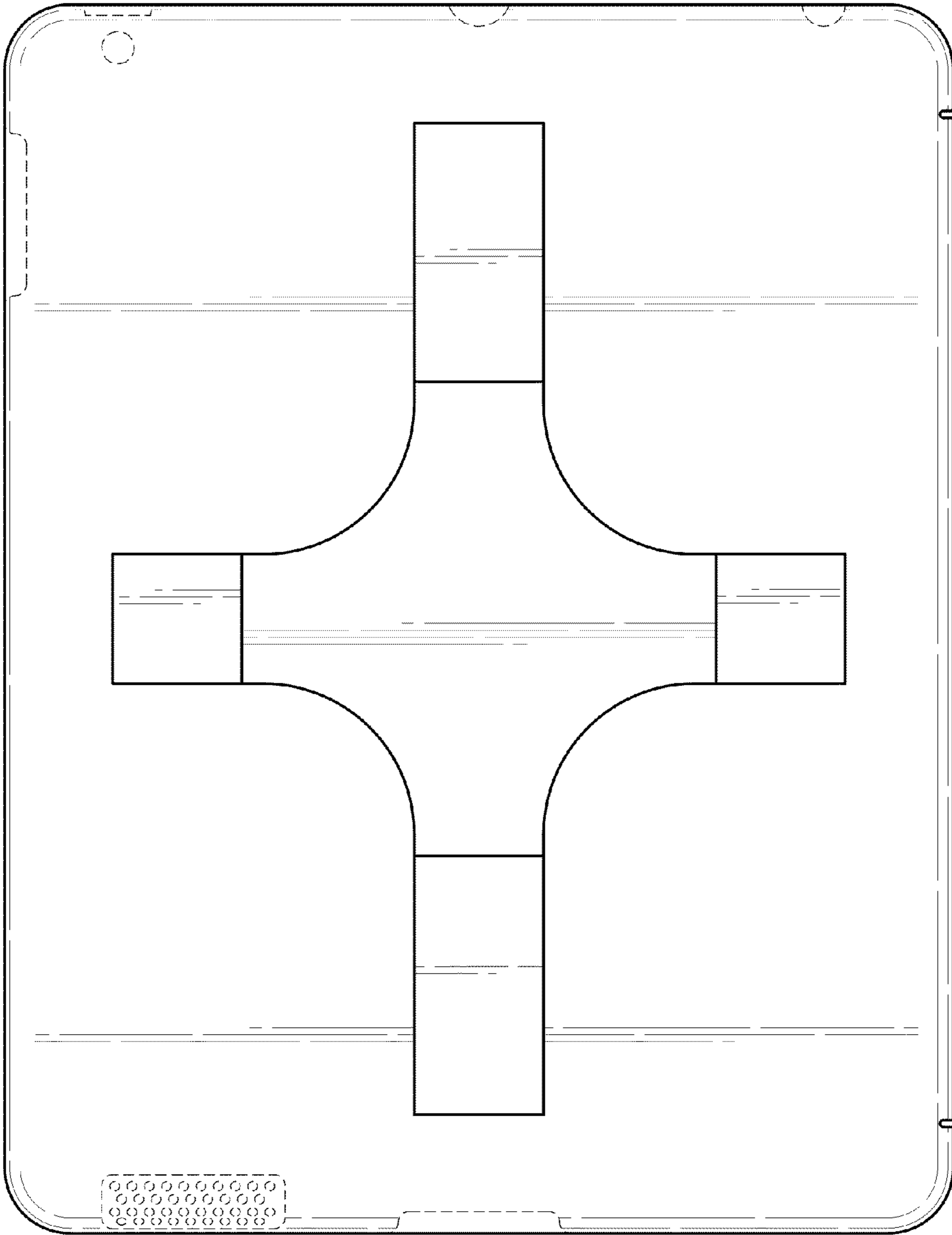


Fig. 2

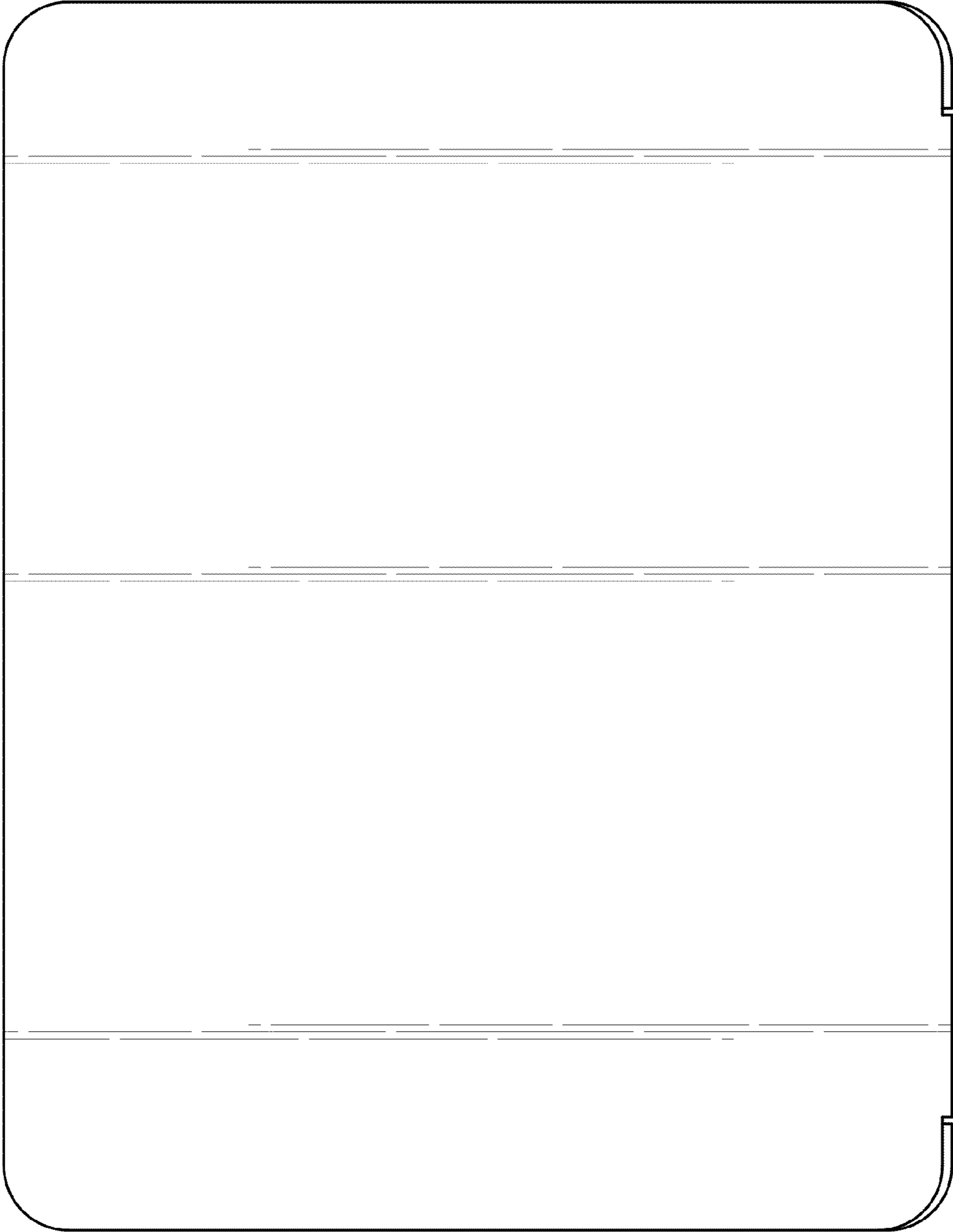


Fig. 3

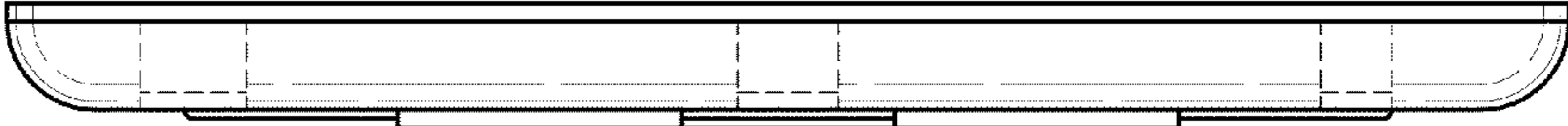


Fig. 5



Fig. 4

Fig. 6

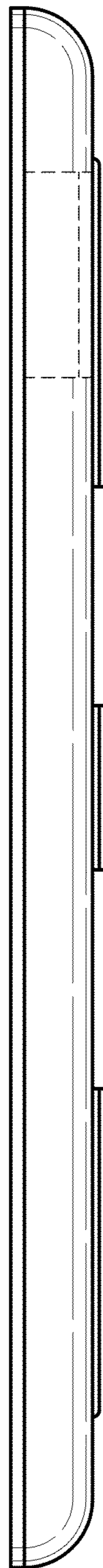


Fig. 7

