



US00D718761S

(12) **United States Design Patent**
Minocha et al.

(10) **Patent No.:** **US D718,761 S**
(45) **Date of Patent:** **** Dec. 2, 2014**

(54) **DISPLAY STAND AND HOLDER COMBINATION FOR A PORTABLE ELECTRONIC DEVICE**

(71) Applicants: **Vimal Sawroop Minocha**, Latham, NY (US); **Manu Priya Minocha**, Latham, NY (US)

(72) Inventors: **Vimal Sawroop Minocha**, Latham, NY (US); **Manu Priya Minocha**, Latham, NY (US)

(**) Term: **14 Years**

(21) Appl. No.: **29/463,055**

(22) Filed: **Jul. 15, 2013**

(51) **LOC (10) Cl.** **14-03**

(52) **U.S. Cl.**
USPC **D14/253**

(58) **Field of Classification Search**
USPC D14/137, 140, 140.8, 142, 204, 209.1, D14/217, 221, 243-256, 434, 440, 444-447, D14/238.1; D8/400-404, 499; D2/861; D3/215, 218, 304, 269; D6/467, 300, D6/310, 553-574; D25/318; 292/342, 343; 248/188.2; 348/373, 376; D12/415, D12/411, 416, 422; D19/87, 90; 455/573, 455/575.1, 575.9

See application file for complete search history.

(56) **References Cited**

U.S. PATENT DOCUMENTS

D402,666 S *	12/1998	Golder	D14/253
D451,504 S *	12/2001	Edwards	D14/253
D452,236 S *	12/2001	Kohli	D14/253
D453,017 S *	1/2002	Gledhill	D14/253
D453,155 S *	1/2002	Michel	D14/253
D460,962 S *	7/2002	Peiker	D14/253
D460,971 S *	7/2002	Sica et al.	D14/434
D468,305 S *	1/2003	Ma et al.	D14/253
7,099,467 B1 *	8/2006	Rohrbach	379/446
D546,823 S *	7/2007	Dayan	D14/253

D553,122 S *	10/2007	Solland	D14/217
D562,805 S *	2/2008	Tokuno et al.	D14/216
D575,289 S *	8/2008	Kuo et al.	D14/434
7,505,583 B2 *	3/2009	Rohrbach	379/455
D628,203 S *	11/2010	Noble	D14/447
D645,047 S *	9/2011	Wike	D14/447
D654,921 S *	2/2012	Malsan	D14/447
D671,546 S *	11/2012	Eberstein et al.	D14/447
D693,353 S *	11/2013	Shu et al.	D14/447

* cited by examiner

Primary Examiner — Susan Bennett Hattan

Assistant Examiner — Janice Hallmark

(57) **CLAIM**

The ornamental design for a display stand and holder combination for a portable electronic device, as shown and described.

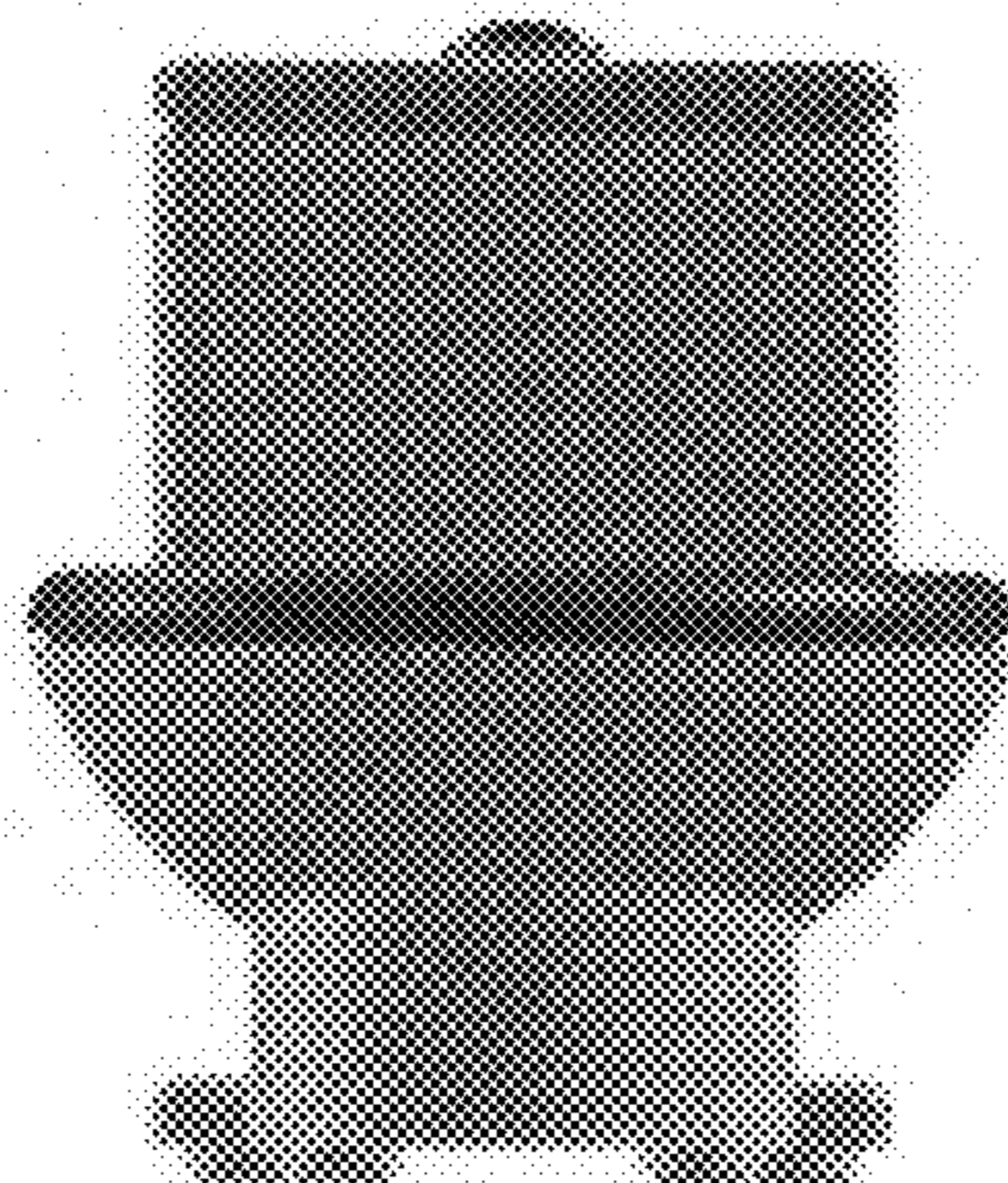
DESCRIPTION

FIG. 1 is a front view of a display stand and holder combination for a portable electronic device showing my new design; FIG. 2 is a right side view thereof; FIG. 3 is a left side view thereof; FIG. 4 is a back view thereof; FIG. 5 is a top view thereof; FIG. 6 is a bottom view thereof; FIG. 7 is right front side perspective view showing the display stand and holder combination in an environment of use; and, FIG. 8 is right back side perspective view thereof.

The broken lines in FIG. 6 illustrate portions of the display stand and holder combination for a portable electronic device and the broken lines showing a mobile phone in FIGS. 7 and 8 illustrate environment; all broken lines form no part of the claimed design.

The invention provides a unique design of a display stand and holder combination for portable electronic device such as mobile phone. The display stand can be used to hold, display or rest a portable electronic device in different positions for different purposes including convenience, charging and or novel entertainment purpose.

1 Claim, 2 Drawing Sheets



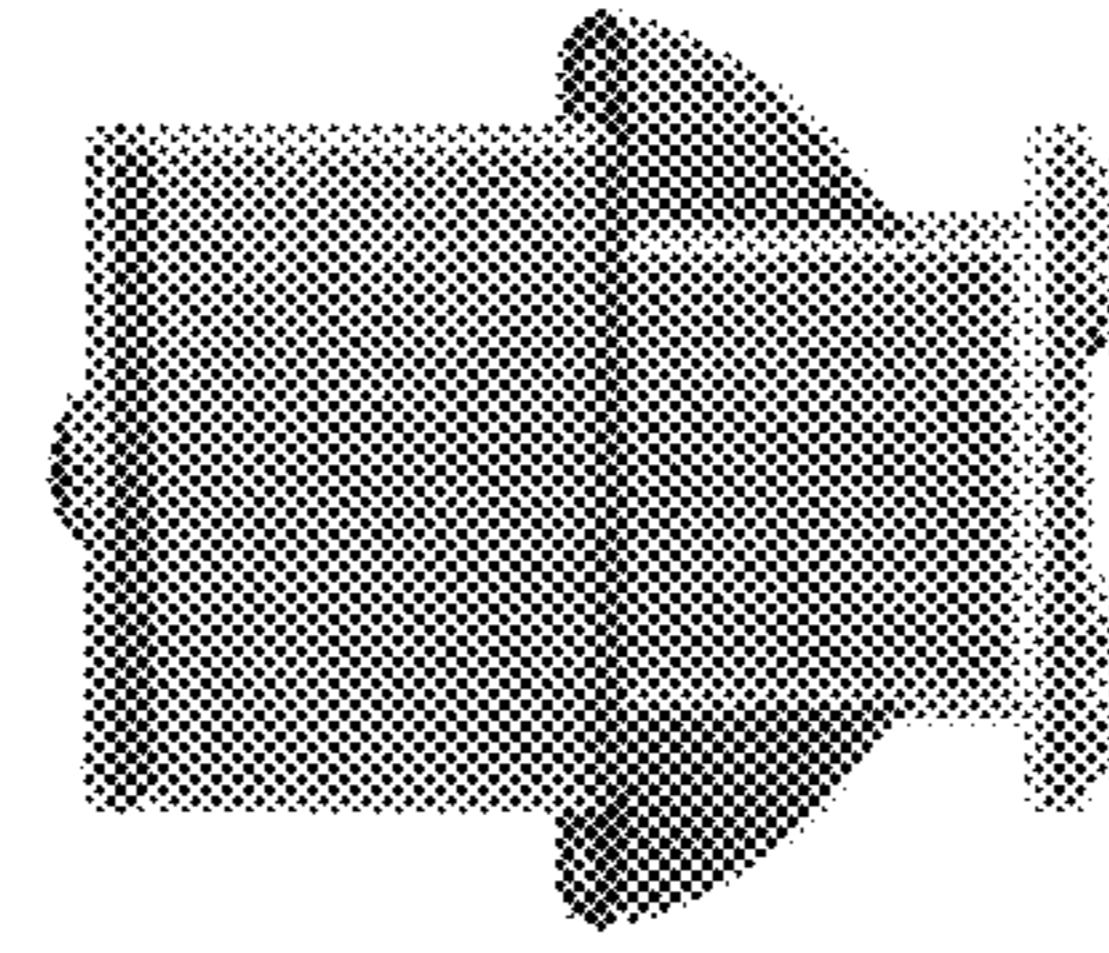


Fig. 4

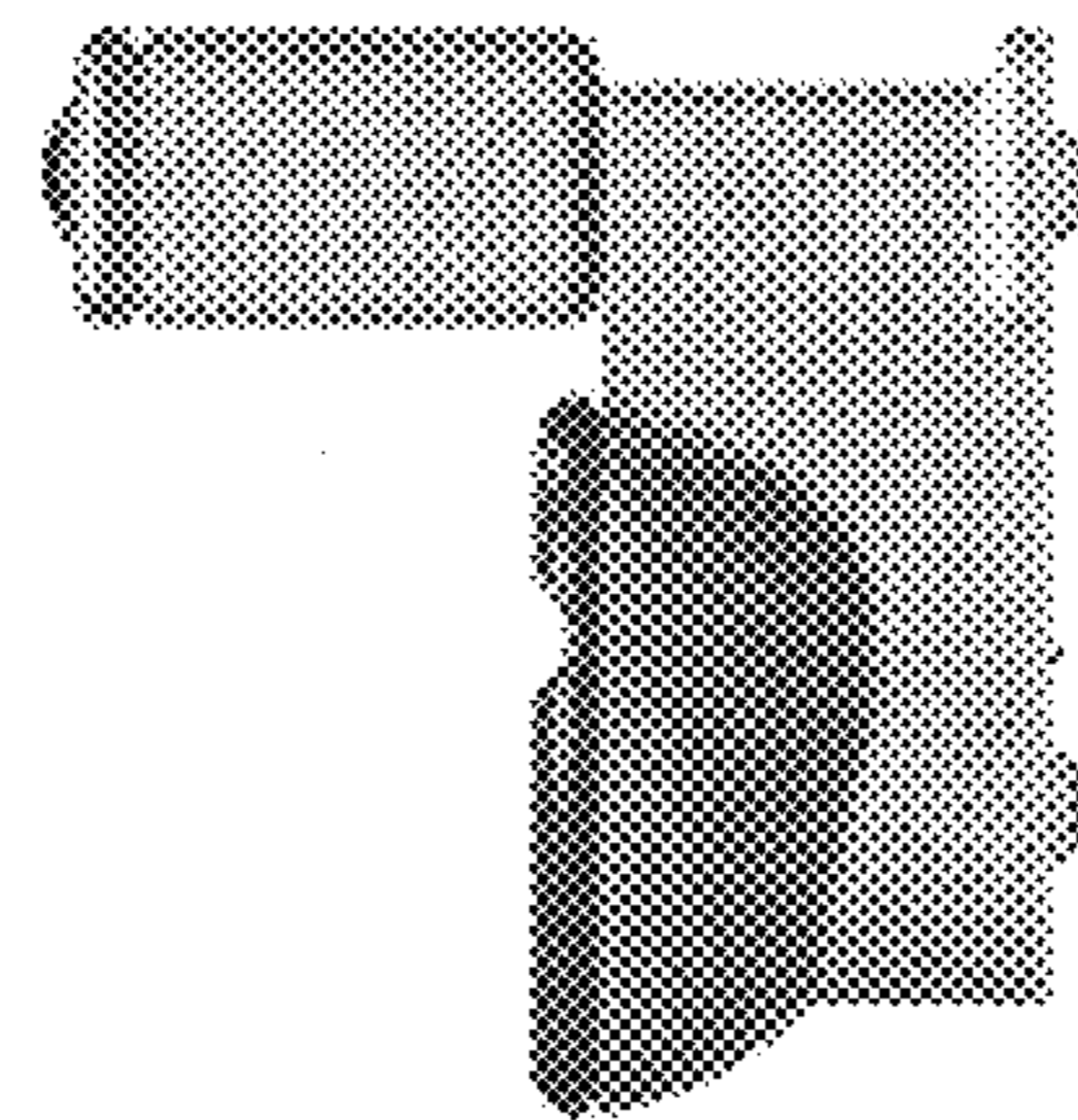


Fig. 3

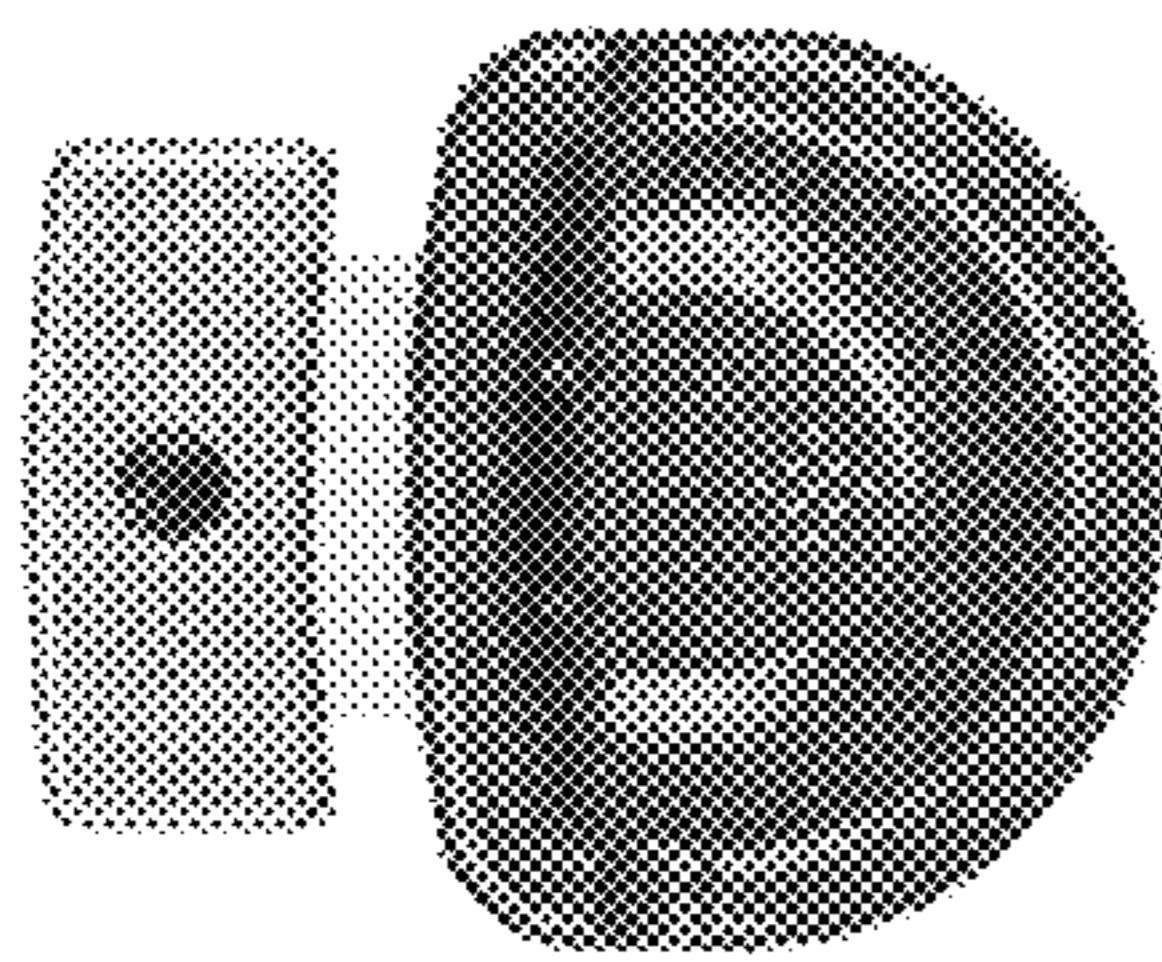


Fig. 5

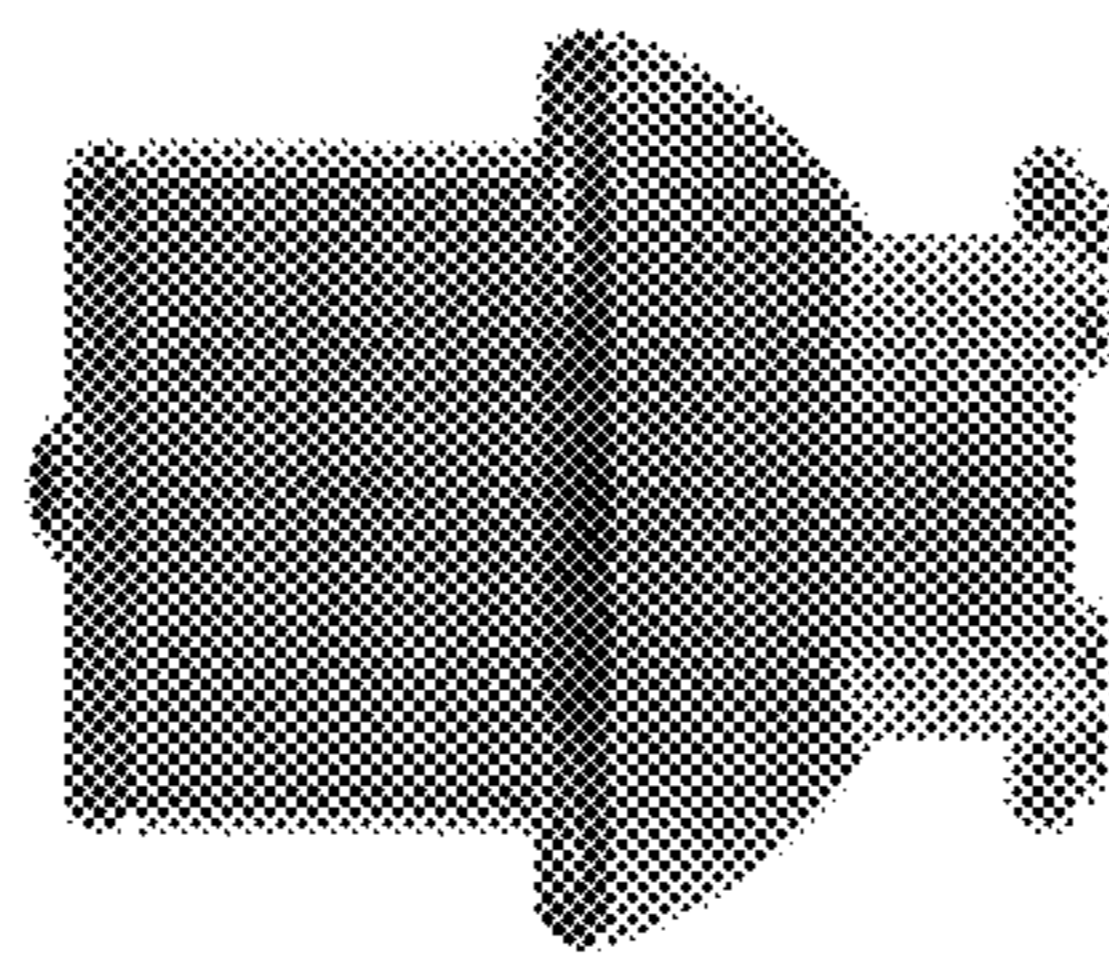


Fig. 1

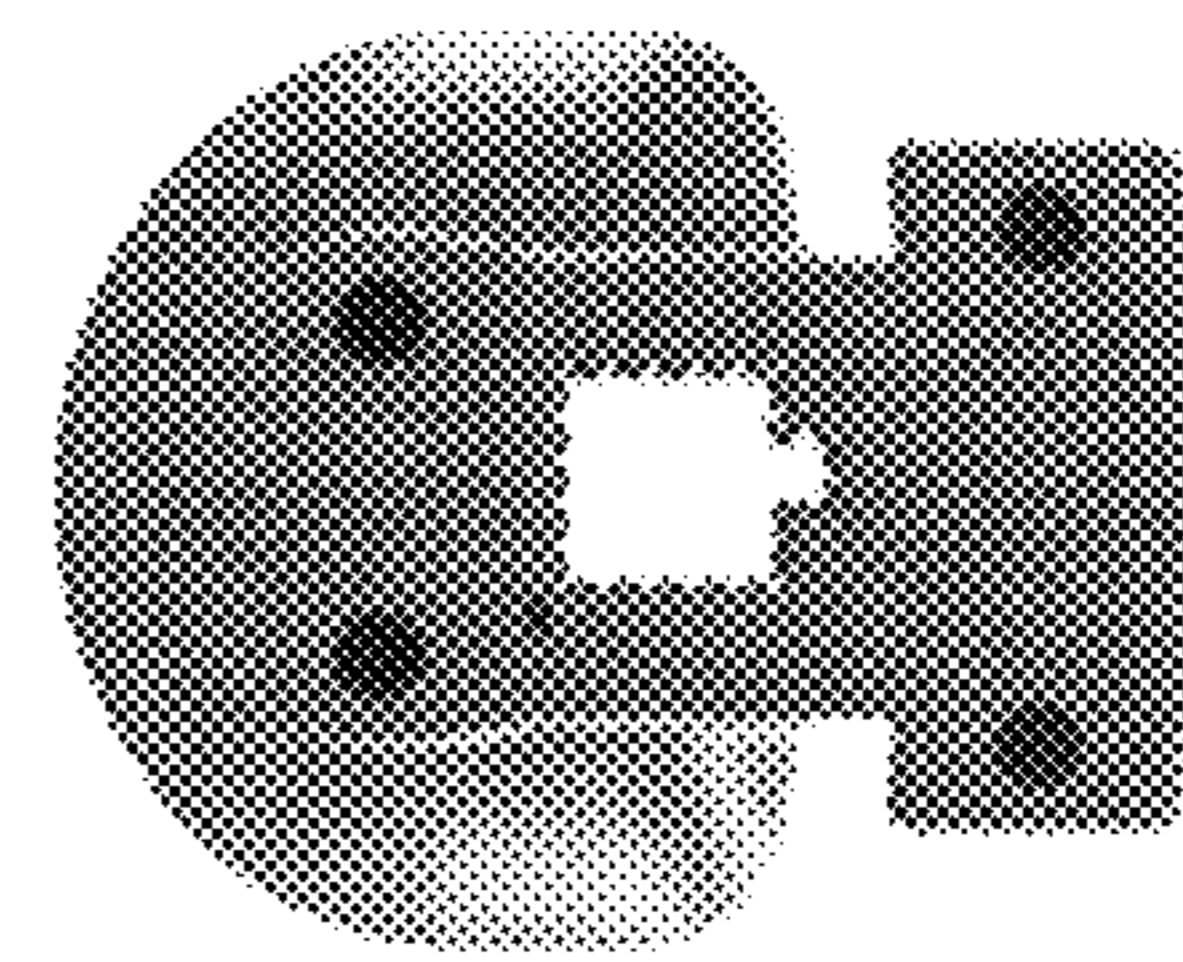


Fig. 6

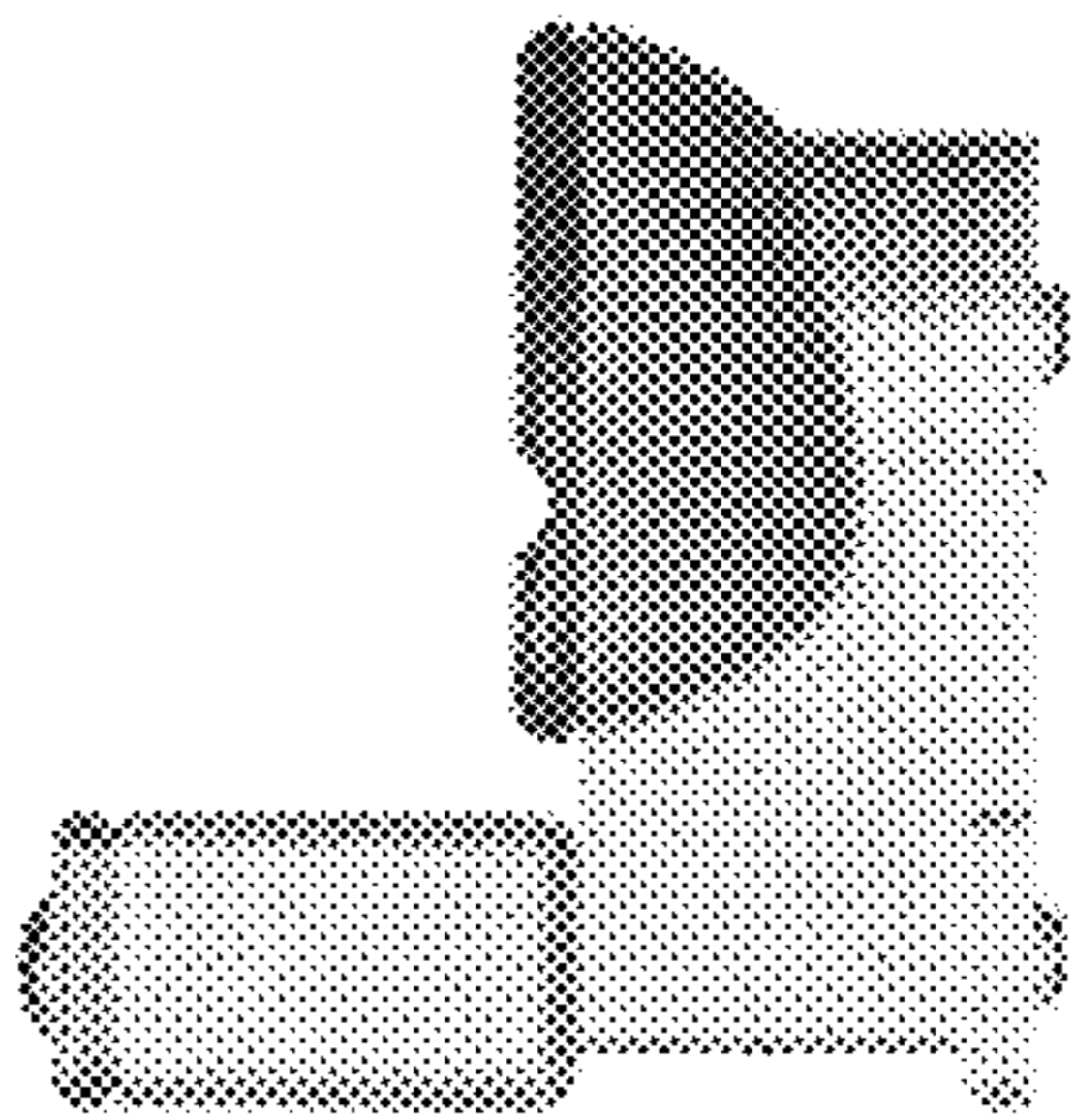


Fig. 2

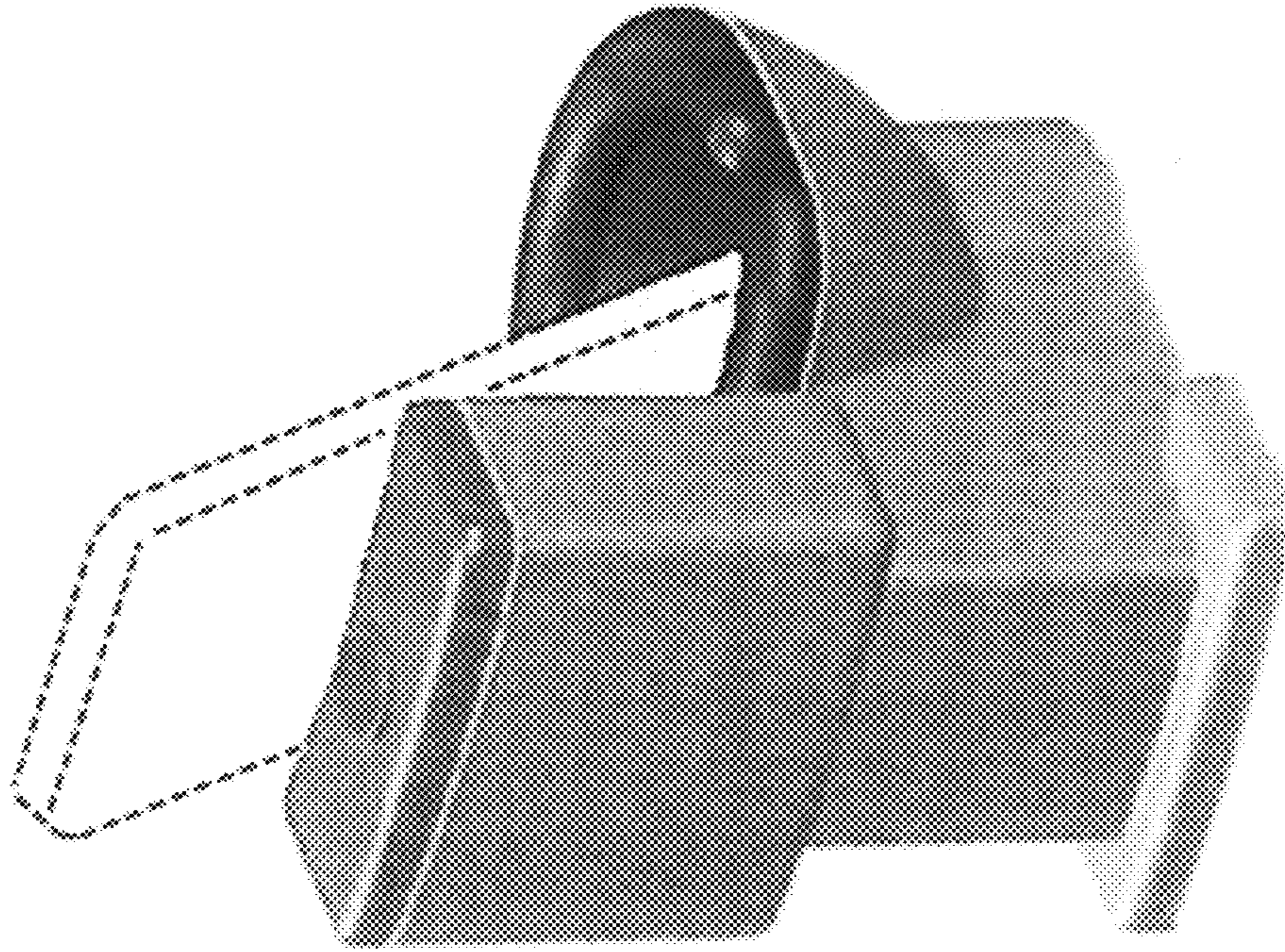


Fig. 8

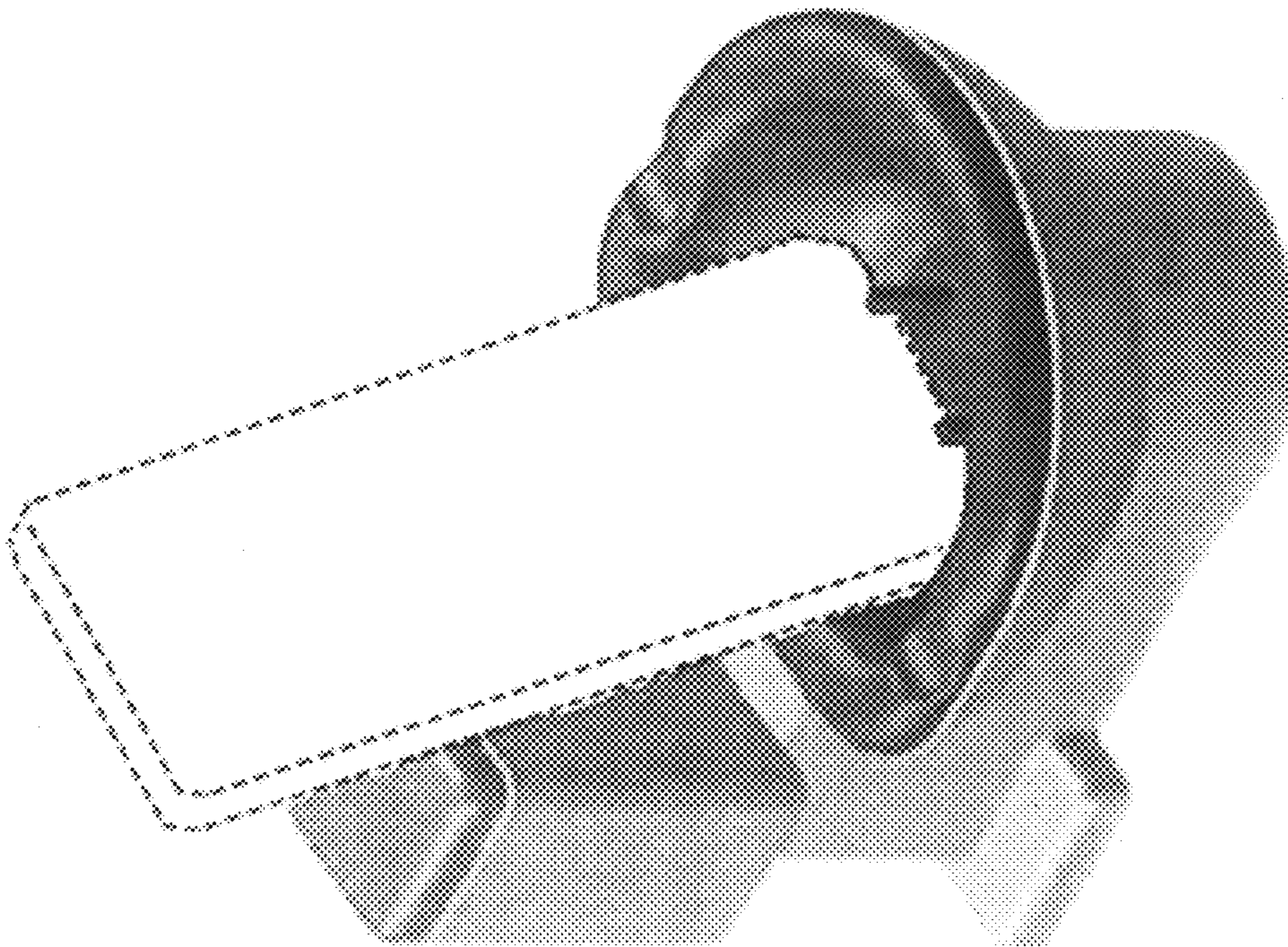


Fig. 7