



US00D718760S

(12) **United States Design Patent**
Davis et al.

(10) **Patent No.:** **US D718,760 S**

(45) **Date of Patent:** **** Dec. 2, 2014**

(54) **DEVICE FOR CONNECTING A SMART/CELL PHONE CAMERA TO AN OPTICAL DEVICE**

(71) Applicant: **Davcomm, LLC**, Beaver, UT (US)

(72) Inventors: **Tracy Davis**, Beaver, UT (US); **Cheston Davis**, Cedar City, UT (US)

(**) Term: **14 Years**

(21) Appl. No.: **29/441,781**

(22) Filed: **Jan. 9, 2013**

(51) **LOC (10) Cl.** **14-03**

(52) **U.S. Cl.**
USPC **D14/253**

(58) **Field of Classification Search**
USPC D14/137, 140, 140.8, 142, 204, 209.1, D14/217, 221, 243-256, 434, 440, 444-447, D14/238.1; D8/400-404, 499; D2/861; D3/215, 218, 304, 269; D6/467, 300, D6/310, 553-574; D25/318; 292/342, 343; 248/188.2; 348/373, 376; D12/415, D12/411, 416, 422; D19/87, 90; 455/573, 455/575.1, 575.9; D10/74; D16/237, 242, D16/134, 136

See application file for complete search history.

(56) **References Cited**

U.S. PATENT DOCUMENTS

5,053,794	A	10/1991	Benz	
6,147,797	A	11/2000	Lee	
6,327,078	B1	12/2001	Lee	
6,781,630	B2	8/2004	Nomura	
D620,000	S *	7/2010	Bau	D14/250
7,924,515	B2	4/2011	Plangger	
D651,205	S *	12/2011	Soekoro	D14/250
8,073,324	B2	12/2011	Tsai	

D669,587	S *	10/2012	Mayer	D24/158
D674,792	S *	1/2013	Magness	D14/250
D681,621	S *	5/2013	Magness	D14/250
D684,149	S *	6/2013	Chang et al.	D14/250
D686,265	S *	7/2013	O'Neill et al.	D16/134
D688,233	S *	8/2013	Dong	D14/250
D697,957	S *	1/2014	Glasse et al.	D16/134
D697,958	S *	1/2014	O'Neill et al.	D16/134
D700,228	S *	2/2014	O'Neill et al.	D16/134
8,706,176	B1 *	4/2014	Jia et al.	455/575.8
D705,769	S *	5/2014	Esses	D14/250
D706,031	S *	6/2014	Willows et al.	D3/249
D707,669	S *	6/2014	Guzman	D14/250
D708,653	S *	7/2014	Hyers	D16/136
2007/0280677	A1	12/2007	Drake	
2009/0181729	A1	7/2009	Griffin, Jr.	
2012/0076487	A1	3/2012	Wu	
2012/0329534	A1 *	12/2012	Barnett et al.	455/575.8
2013/0130753	A1 *	5/2013	Springer	455/575.1

* cited by examiner

Primary Examiner — Susan Bennett Hattan

Assistant Examiner — Janice Hallmark

(74) *Attorney, Agent, or Firm* — Zachary D. Renstrom

(57) **CLAIM**

The ornamental design for a device for connecting a smart/cell phone camera to an optical device, as shown and described.

DESCRIPTION

FIG. 1 is a back perspective view of a device for connecting a smart/cell phone camera to an optical device showing my new design in an environment of use;

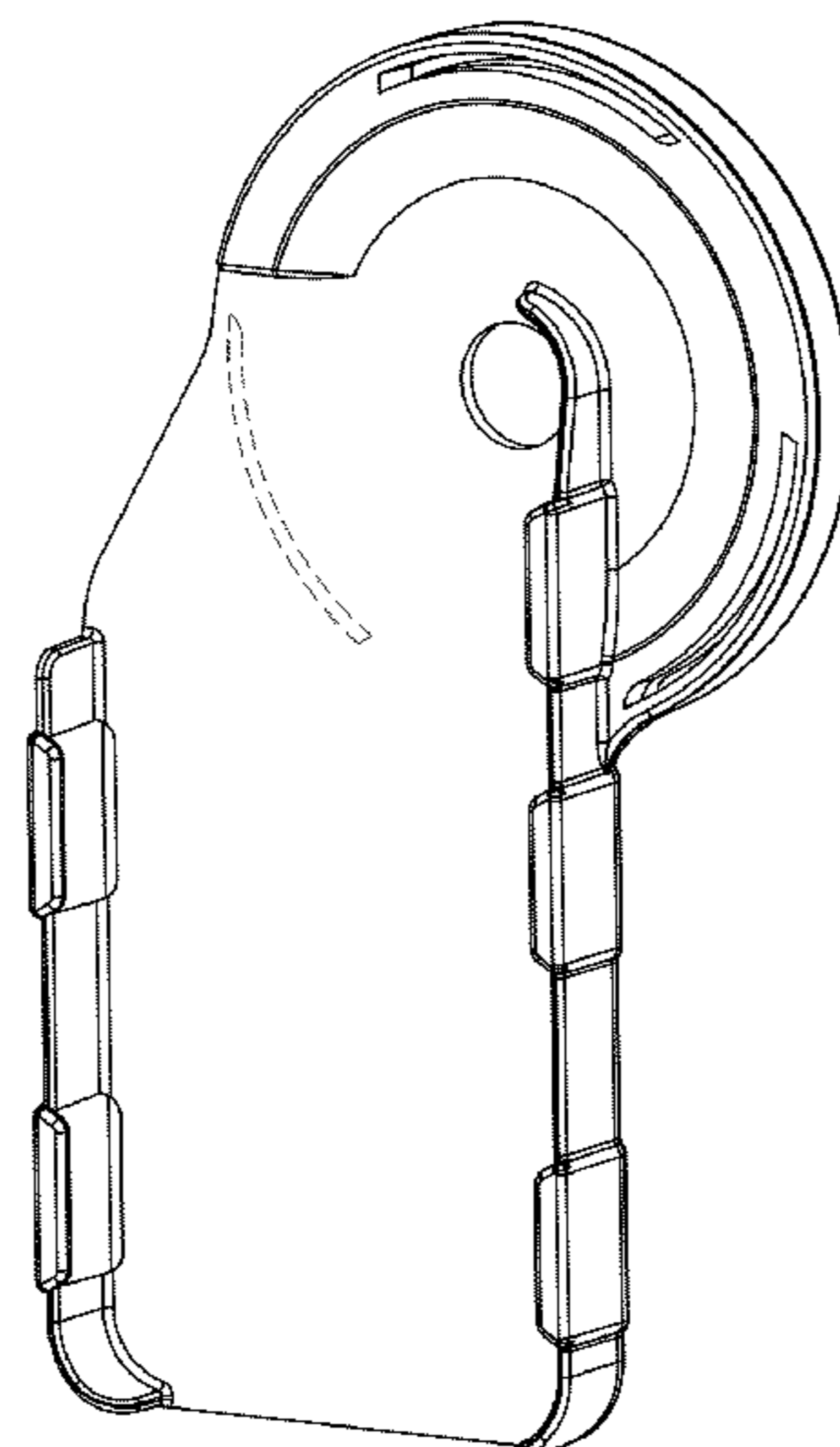
FIG. 2 is a back perspective view thereof;

FIG. 3 is a side elevation view thereof; and,

FIG. 4 is a front elevation view thereof.

The broken lines in the drawings depict environmental subject matter only and form no part of the claimed design.

1 Claim, 4 Drawing Sheets



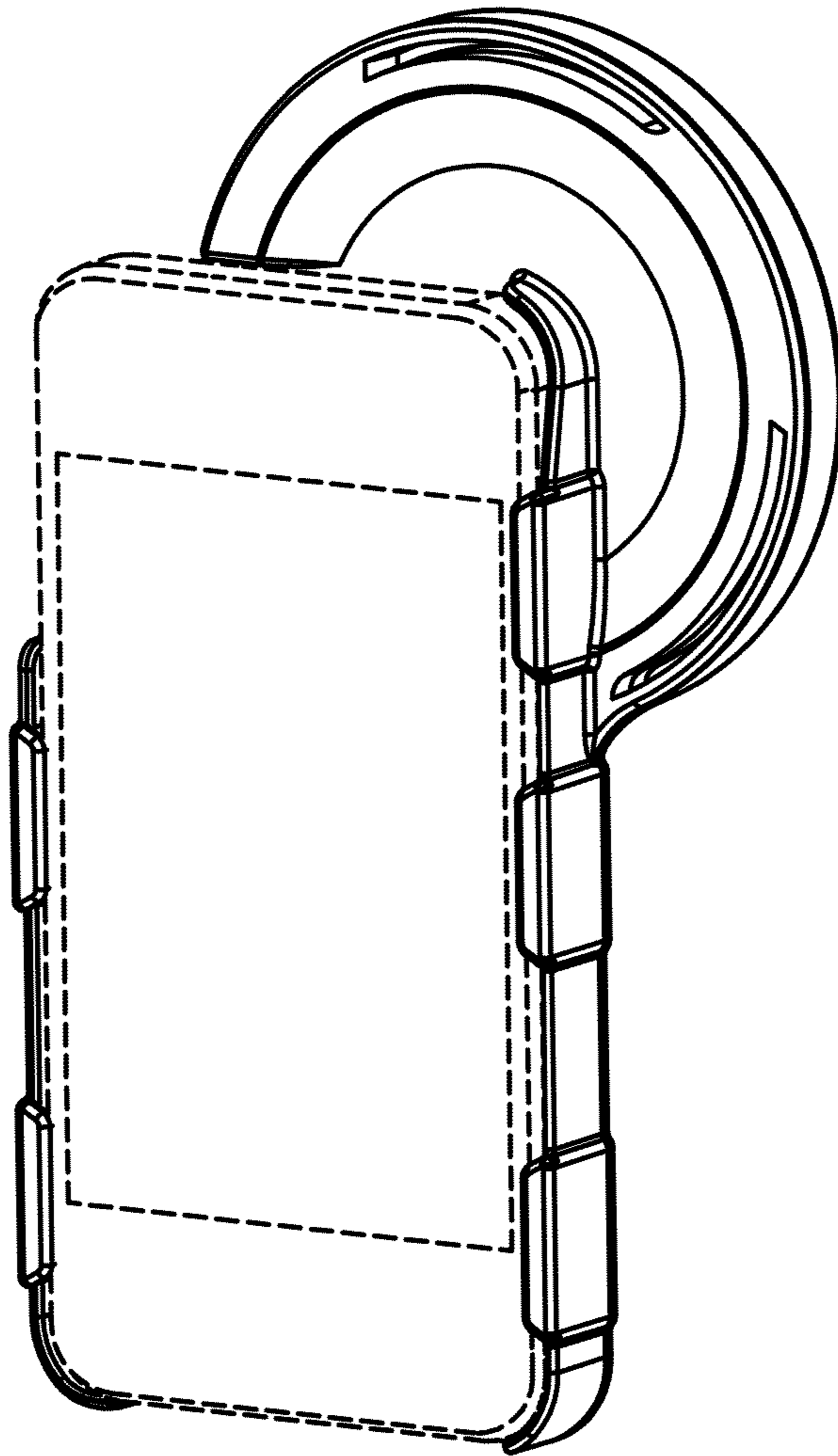


FIG. 1

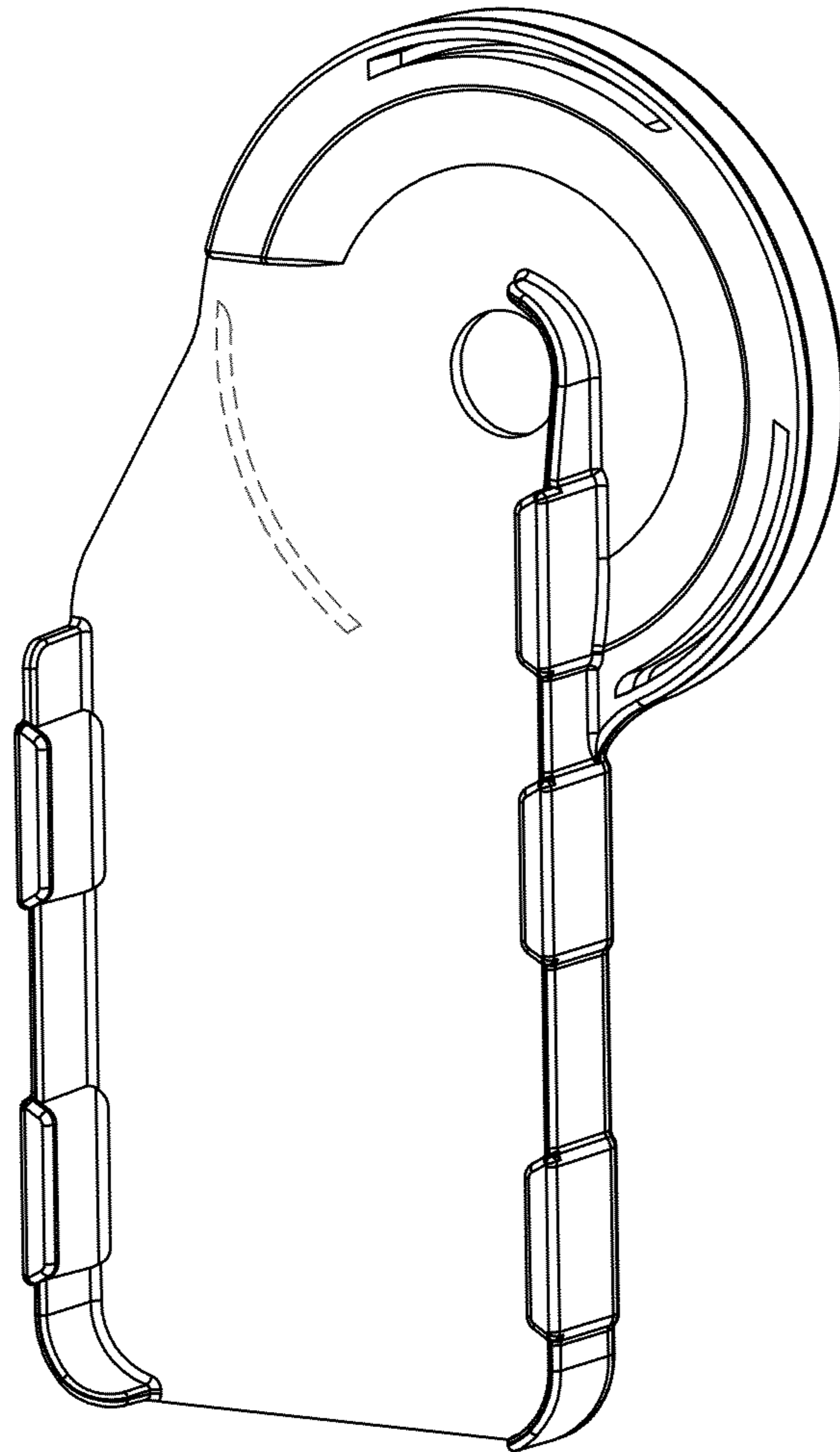


FIG. 2

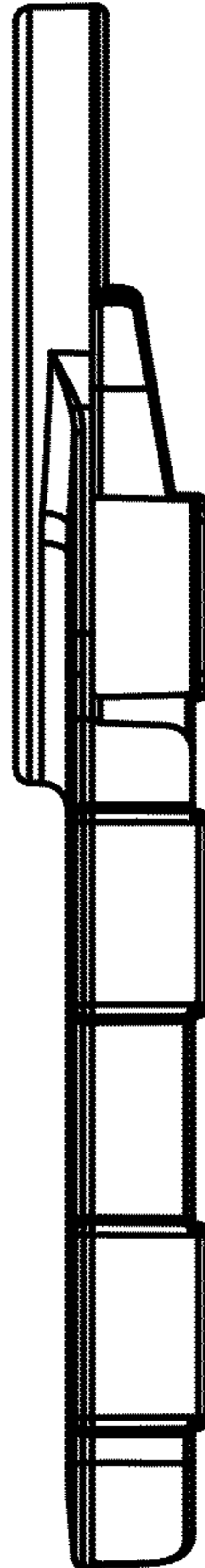


FIG. 3

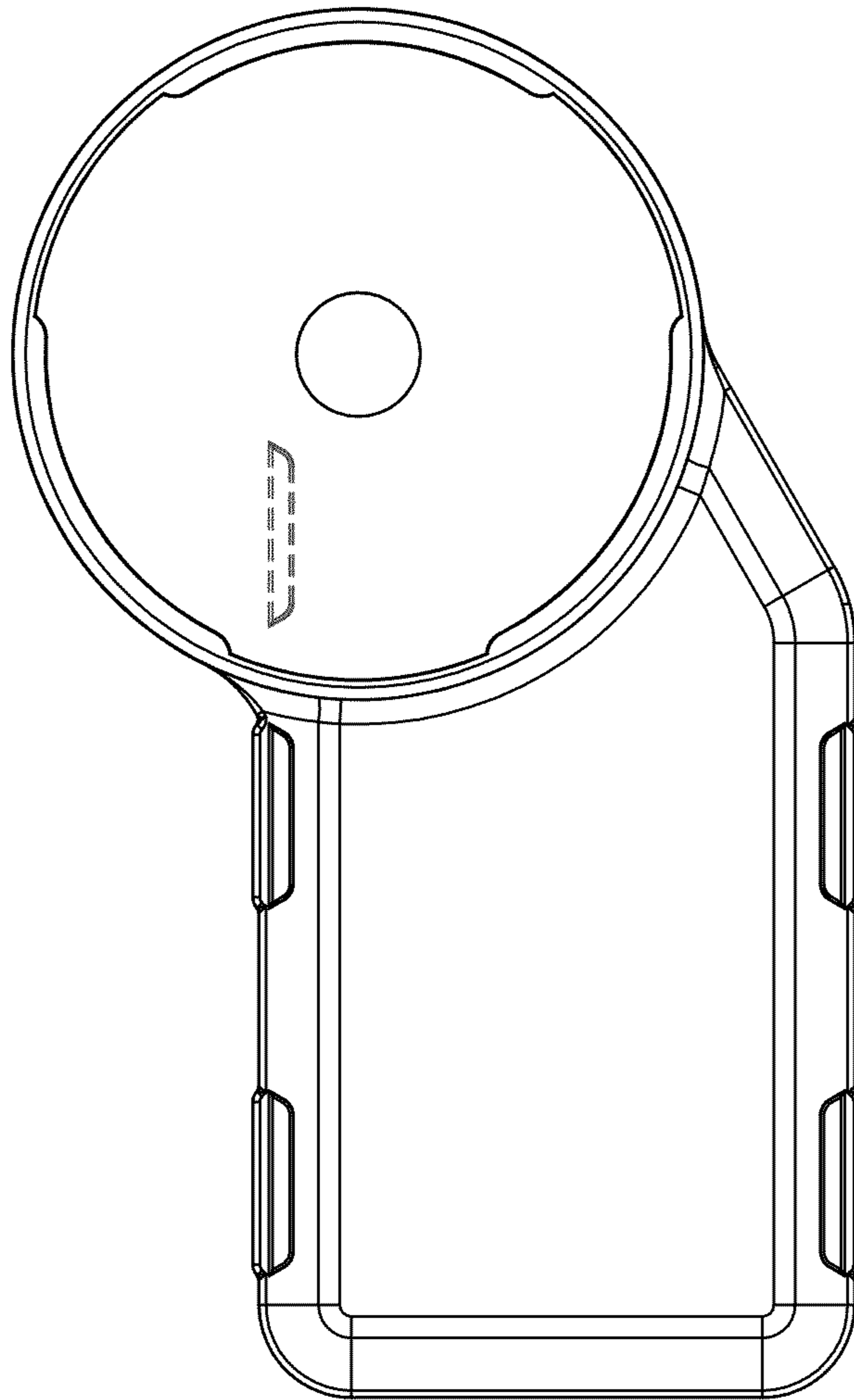


FIG. 4