



US00D718749S

(12) **United States Design Patent**
Huang

(10) **Patent No.:** **US D718,749 S**

(45) **Date of Patent:** **** Dec. 2, 2014**

(54) **ANTENNA**

(71) Applicant: **Kui-Hsien Huang**, Taipei (TW)

(72) Inventor: **Kui-Hsien Huang**, Taipei (TW)

(**) Term: **14 Years**

(21) Appl. No.: **29/496,545**

(22) Filed: **Jul. 15, 2014**

(51) **LOC (10) Cl.** **14-03**

(52) **U.S. Cl.**
USPC **D14/230**; D14/234

(58) **Field of Classification Search**
USPC D14/138, 230–238, 299, 358; D12/42,
D12/43; 343/700 MS, 700 R–705, 711–713,
343/735, 736, 741, 748, 767, 795, 819, 840,
343/846, 866, 871–908; 455/90.2, 90.3, 91,
455/128, 269, 344, 347, 562.1
See application file for complete search history.

D525,967 S *	8/2006	Hsiau	D14/230
D527,378 S *	8/2006	Raymond et al.	D14/230
D533,544 S *	12/2006	Lai	D14/230
D546,322 S *	7/2007	Cislo et al.	D14/230
D558,190 S *	12/2007	Cislo	D14/230
D559,838 S *	1/2008	Yuba et al.	D14/230
D573,591 S *	7/2008	Fu et al.	D14/230
D580,419 S *	11/2008	Wu et al.	D14/230
D595,700 S *	7/2009	Cook et al.	D14/234
D632,284 S *	2/2011	Takahashi	D14/230
D632,285 S *	2/2011	Takahashi	D14/230
D643,025 S *	8/2011	Poddaturi	D14/230
D696,231 S *	12/2013	Konishi	D14/230
D710,834 S *	8/2014	Jeon et al.	D14/230
D711,358 S *	8/2014	Jeon et al.	D14/230

* cited by examiner

Primary Examiner — John Windmuller
(74) *Attorney, Agent, or Firm* — Leong C. Lei

(57) **CLAIM**
The ornamental design for an antenna, as shown and described.

(56) **References Cited**

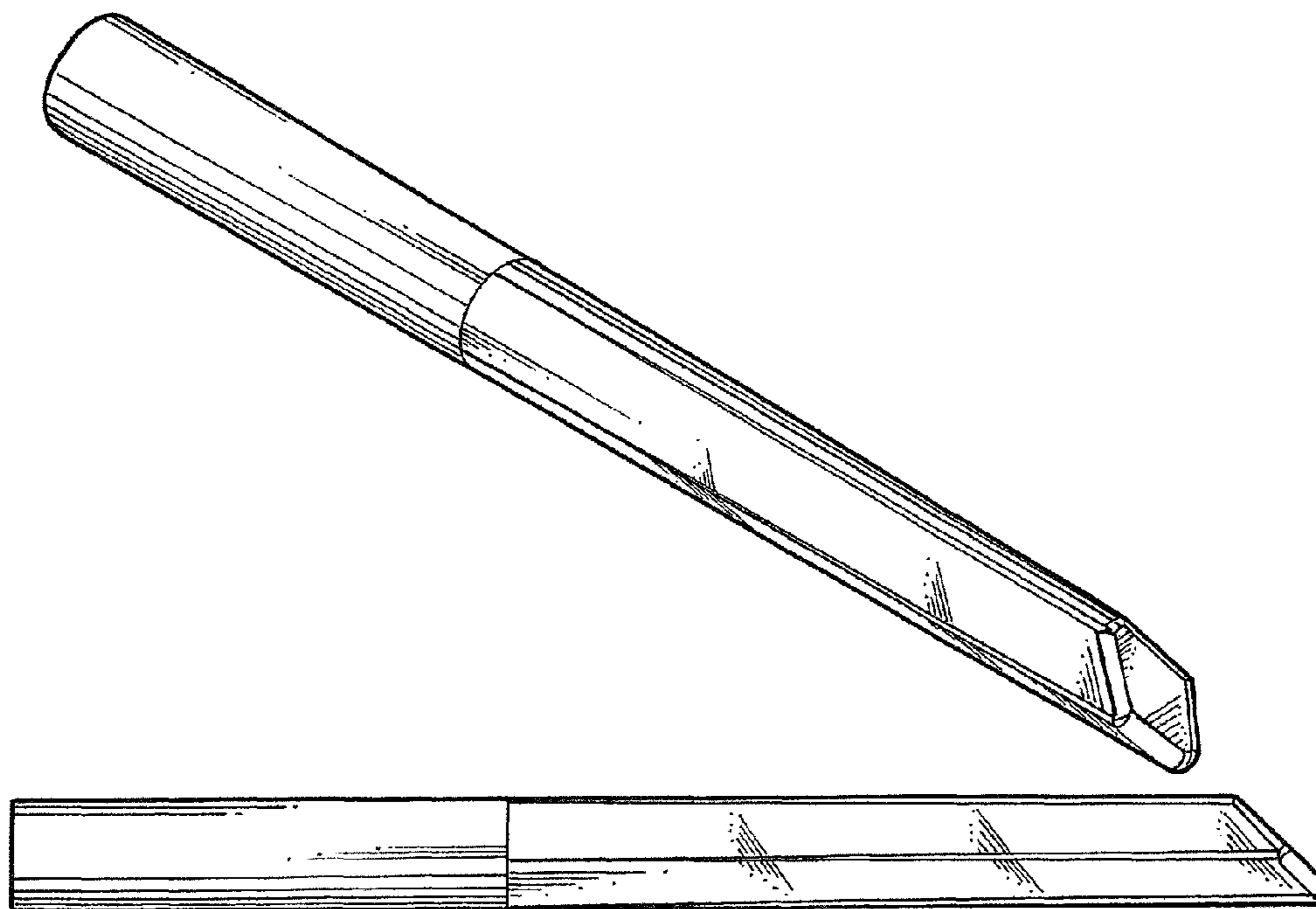
U.S. PATENT DOCUMENTS

2,505,424 A *	4/1950	Moseley	343/776
D287,588 S *	1/1987	Ulch	D14/231
D293,575 S *	1/1988	Sugiura	D14/230
D320,393 S *	10/1991	Cooper	D14/230
D321,693 S *	11/1991	Mailandt	D14/234
D367,655 S *	3/1996	Rak	D14/234
D405,090 S *	2/1999	Guttadauro	D14/230
D414,773 S *	10/1999	Heiligenstein et al.	D14/238
D481,028 S *	10/2003	Wu	D14/230
D489,712 S *	5/2004	Nagatomi	D14/230
D501,201 S *	1/2005	Chiang et al.	D14/230
D516,060 S *	2/2006	Wu	D14/230

DESCRIPTION

FIG. 1 is a perspective view of an antenna showing my new design;
FIG. 2 is a front elevational view thereof;
FIG. 3 is rear elevational view thereof;
FIG. 4 is a right side perspective view thereof;
FIG. 5 is a left side perspective view thereof;
FIG. 6 is a top plan view thereof; and,
FIG. 7 a bottom plan view thereof.
The broken lines in FIG. 5 depict portions of the antenna that form no part of the claimed design.

1 Claim, 4 Drawing Sheets



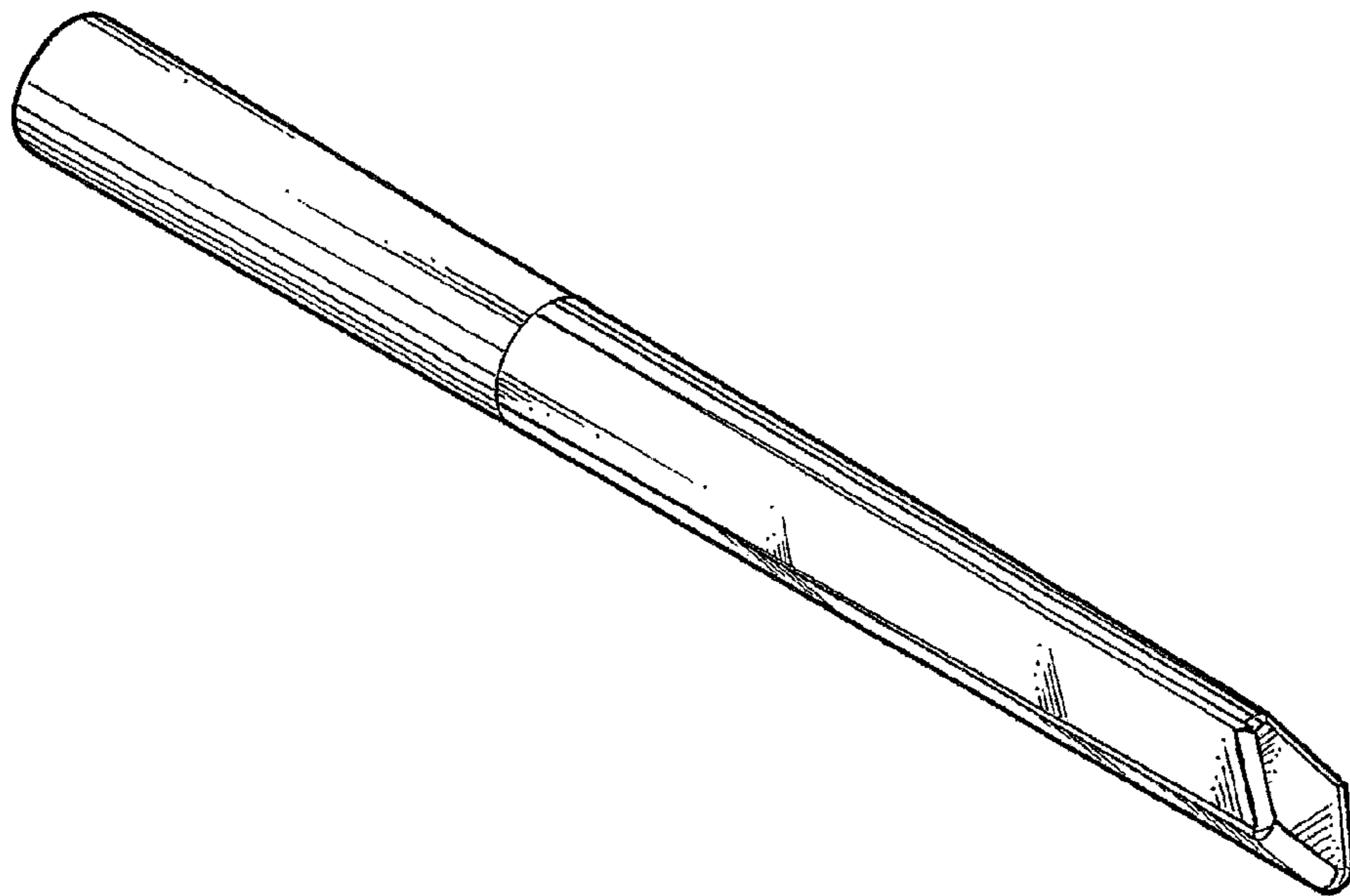


FIG. 1

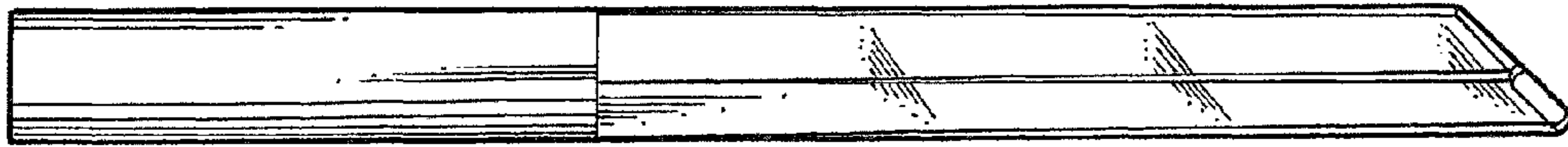


FIG. 2

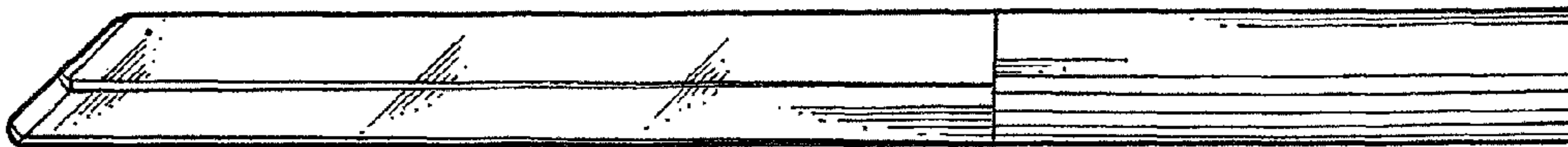


FIG. 3



FIG. 4



FIG. 5

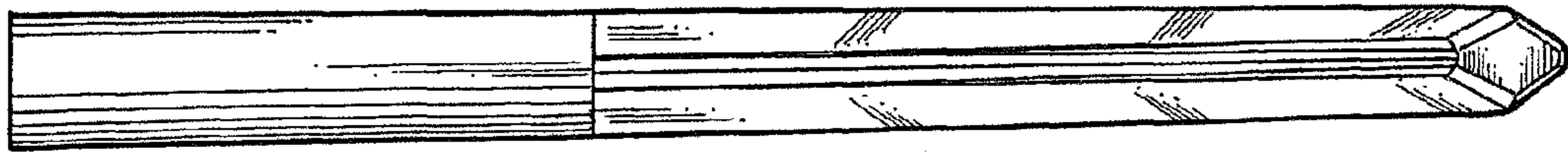


FIG. 6

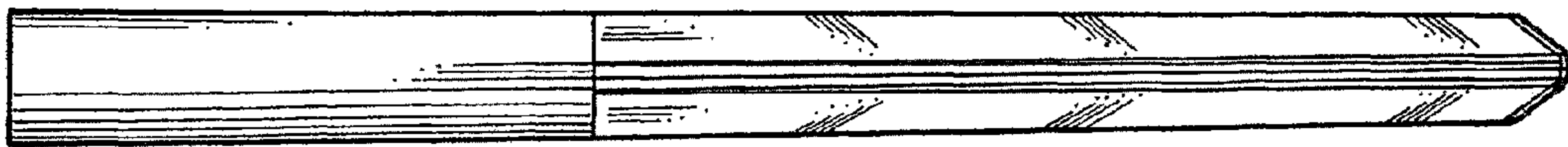


FIG. 7