



US00D718748S

(12) **United States Design Patent**
Pan

(10) **Patent No.:** **US D718,748 S**
(45) **Date of Patent:** **** Dec. 2, 2014**

(54) **SOUND REPRODUCTION EQUIPMENT**

(71) Applicant: **Robert Bosch GmbH**, Stuttgart (DE)

(72) Inventor: **Kevin Pan**, Shanghai (CN)

(73) Assignee: **Robert Bosch GmbH**, Stuttgart (DE)

(**) Term: **14 Years**

(21) Appl. No.: **29/470,935**

(22) Filed: **Oct. 25, 2013**

(30) **Foreign Application Priority Data**

Sep. 25, 2013 (EM) 002315010

(51) **LOC (10) Cl.** **14-01**

(52) **U.S. Cl.**
USPC **D14/227**; D14/159

(58) **Field of Classification Search**
CPC H04R 5/02; H04R 1/02; H04R 1/00;
H04R 1/08; H04R 9/08; H04R 2420/07
USPC D14/149, 223-229, 137, 150, 155, 159,
D14/167, 168, 172, 191, 192, 194, 203.3,
D14/217, 240, 242, 243, 251, 253, 431, 432,
D14/434, 496, 402-409; 381/26, 87, 92,
381/168, 169, 161, 171, 336, 361, 363, 385,
381/386; 455/561, 569.1, 575.1, 575.2;
D23/385, 411, 412; D10/106.5

See application file for complete search history.

(56) **References Cited**

U.S. PATENT DOCUMENTS

D185,798 S *	8/1959	Loge	D14/159
D198,850 S *	8/1964	Kategianis	D14/227
D264,354 S *	5/1982	Heinrich et al.	D21/329
D278,054 S *	3/1985	Vajdaffy	D14/159
D280,097 S *	8/1985	Yamagata et al.	D14/159
D314,962 S *	2/1991	Hilton	D14/185

D350,747 S *	9/1994	McClendon	D14/150
D371,784 S *	7/1996	Gertz	D14/159
D390,553 S *	2/1998	Beaumont et al.	D14/137
D397,120 S *	8/1998	Liou	D14/229
5,799,096 A *	8/1998	Liao	381/361
5,805,709 A *	9/1998	Liou	381/361
D403,328 S *	12/1998	Wakefield	D14/229
D429,231 S *	8/2000	Johnsson	D14/159
D450,308 S *	11/2001	Benders	D14/159
D493,441 S *	7/2004	Sabick et al.	D14/149
D494,152 S *	8/2004	Sabick et al.	D14/149

(Continued)

Primary Examiner — Susan Bennett Hattan

Assistant Examiner — Marie Fast Horse

(74) *Attorney, Agent, or Firm* — Maginot, Moore & Beck, LLP

(57) **CLAIM**

The ornamental design for sound reproduction equipment, as shown and described.

DESCRIPTION

FIG. 1 is a perspective view of sound reproduction equipment showing my new design;

FIG. 2 is a right side elevational view showing the design for the sound reproduction equipment of FIG. 1;

FIG. 3 is a left side elevational view showing the design for the sound reproduction equipment of FIG. 1;

FIG. 4 is a front elevational view showing the design for the sound reproduction equipment of FIG. 1;

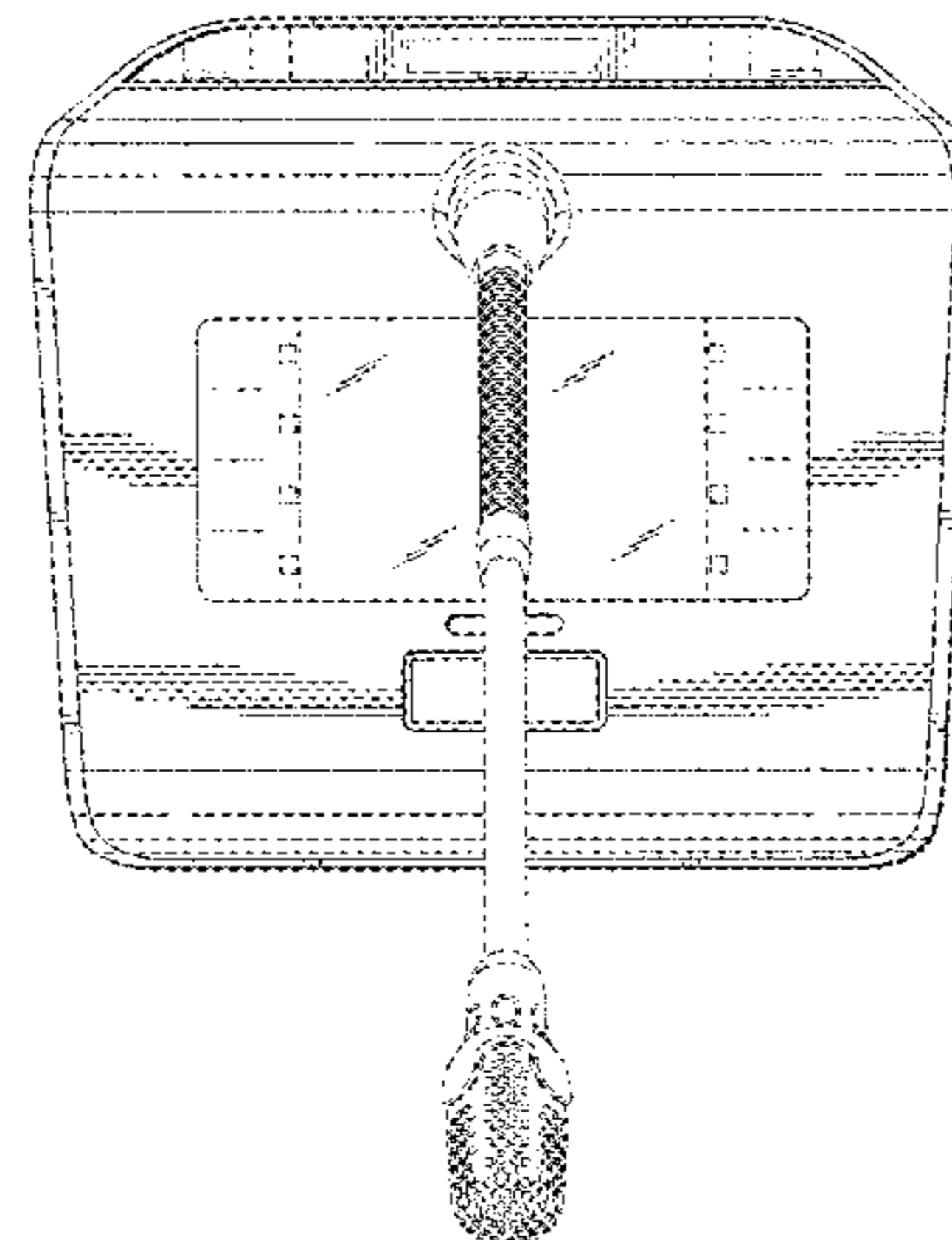
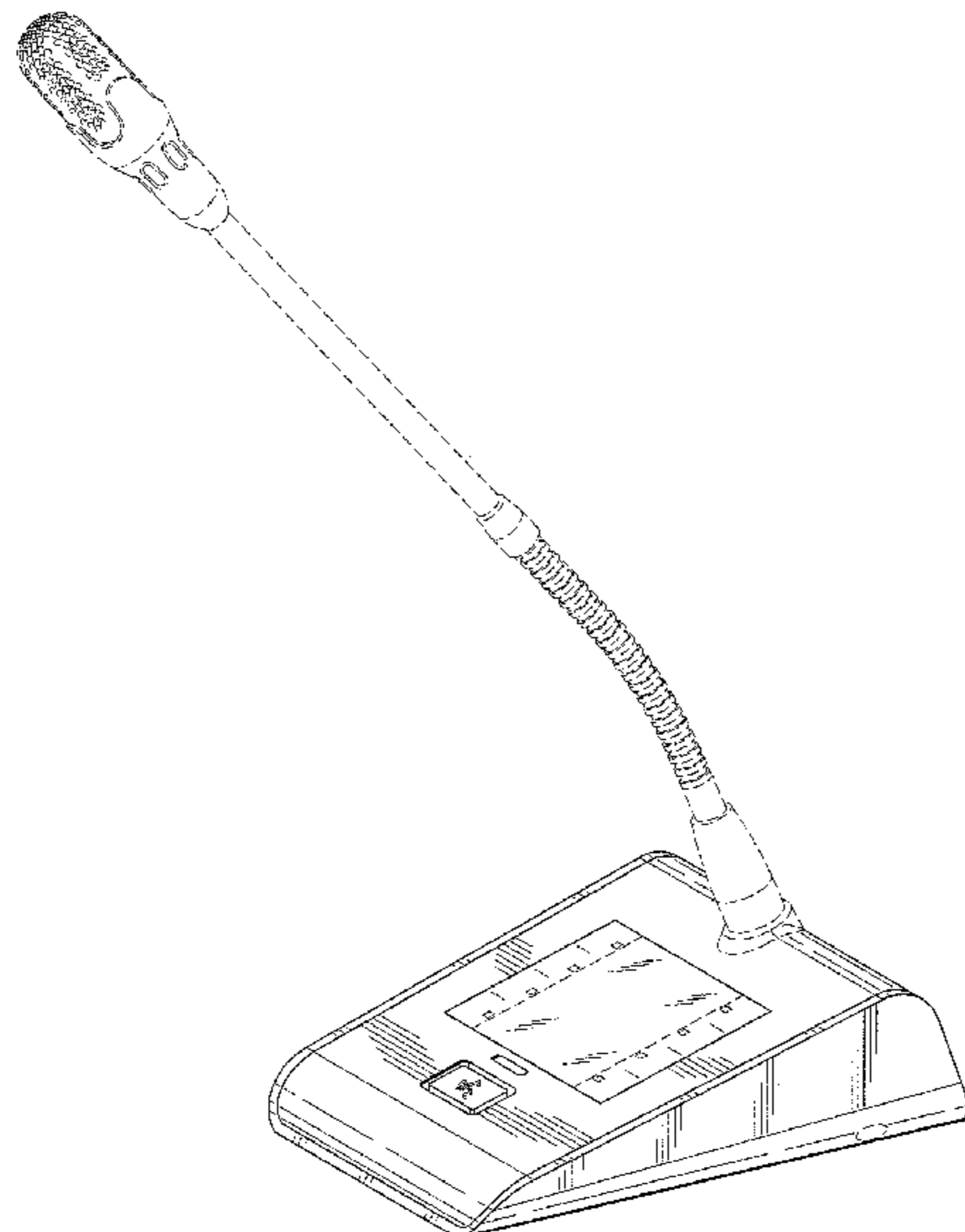
FIG. 5 is a rear elevational view showing the design for the sound reproduction equipment of FIG. 1;

FIG. 6 is a top elevational view showing the design for the sound reproduction equipment of FIG. 1; and,

FIG. 7 is a bottom elevational view showing the design for the sound reproduction equipment of FIG. 1.

The broken line showing of portions of the sound reproduction equipment in the drawings is included for illustrative purposes only and forms no part of the claimed design.

1 Claim, 7 Drawing Sheets



(56)

References Cited

U.S. PATENT DOCUMENTS

7,103,392	B2 *	9/2006	Fletcher et al.	455/569.1	D644,192	S *	8/2011	McManigal et al.	D14/125
D531,993	S *	11/2006	Choi et al.	D14/218	D644,989	S *	9/2011	Guccione et al.	D13/108
D532,779	S *	11/2006	Kim et al.	D14/218	D650,327	S *	12/2011	Kingston	D13/107
D558,763	S *	1/2008	Morganstern et al.	D14/480.7	D651,192	S *	12/2011	Timmer	D14/159
D595,703	S *	7/2009	Ahlgren	D14/240	D656,133	S *	3/2012	Wang et al.	D14/240
D598,449	S *	8/2009	Landry et al.	D14/358	D662,921	S *	7/2012	Clements et al.	D14/243
D611,899	S *	3/2010	Yang	D13/108	D675,196	S *	1/2013	Maddern	D14/240
D622,712	S *	8/2010	Bang et al.	D14/240	D676,414	S *	2/2013	Holzer	D14/172
D630,192	S *	1/2011	Heppener	D14/226	D686,195	S *	7/2013	Hong et al.	D14/218
D637,983	S *	5/2011	Kim et al.	D14/125	D690,695	S *	10/2013	Butterworth	D14/388
					2002/0048384	A1 *	4/2002	Chen	381/363
					2003/0134666	A1 *	7/2003	Fletcher et al.	455/568
					2005/0272476	A1 *	12/2005	Eaton et al.	455/569.1

* cited by examiner

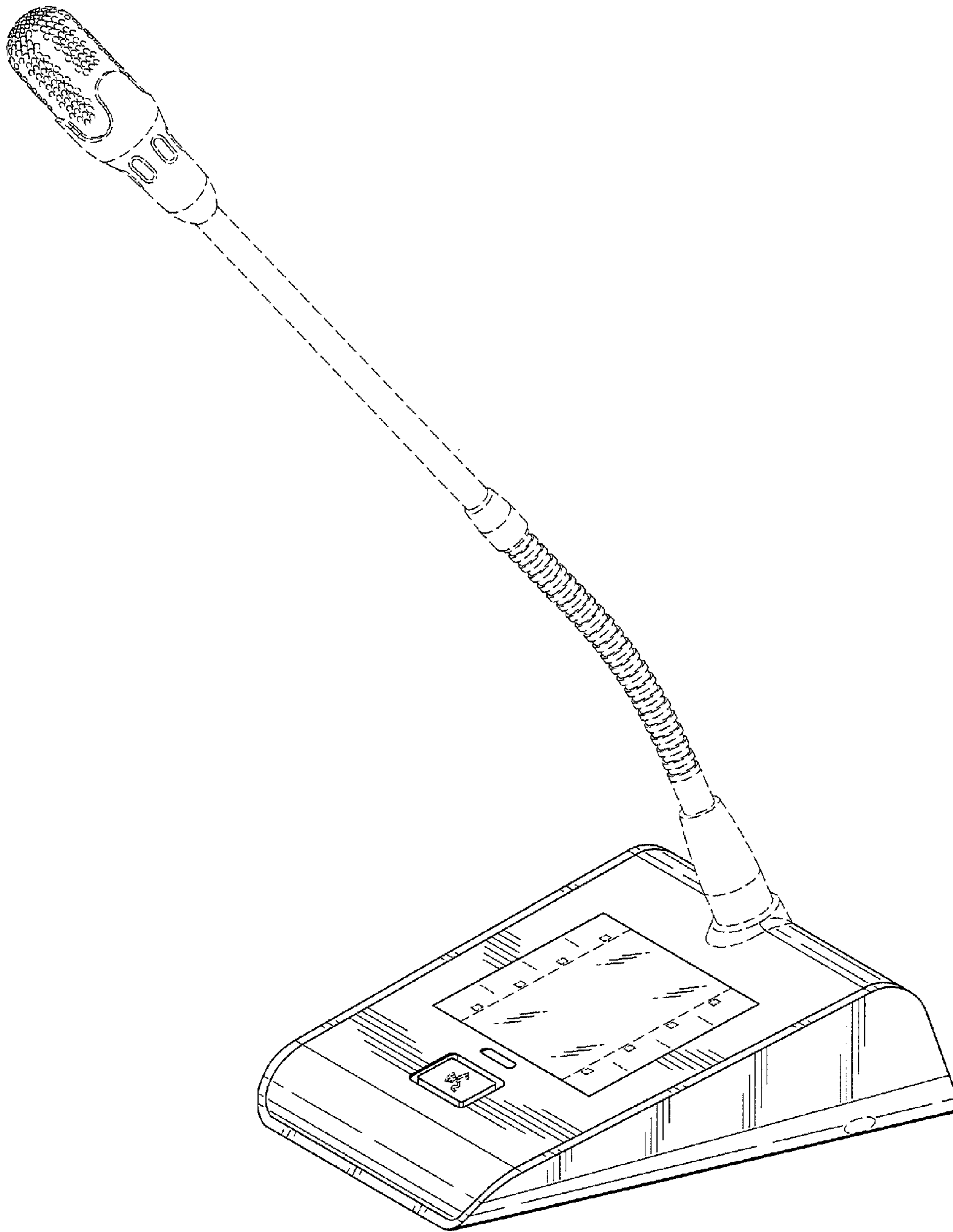


Fig. 1

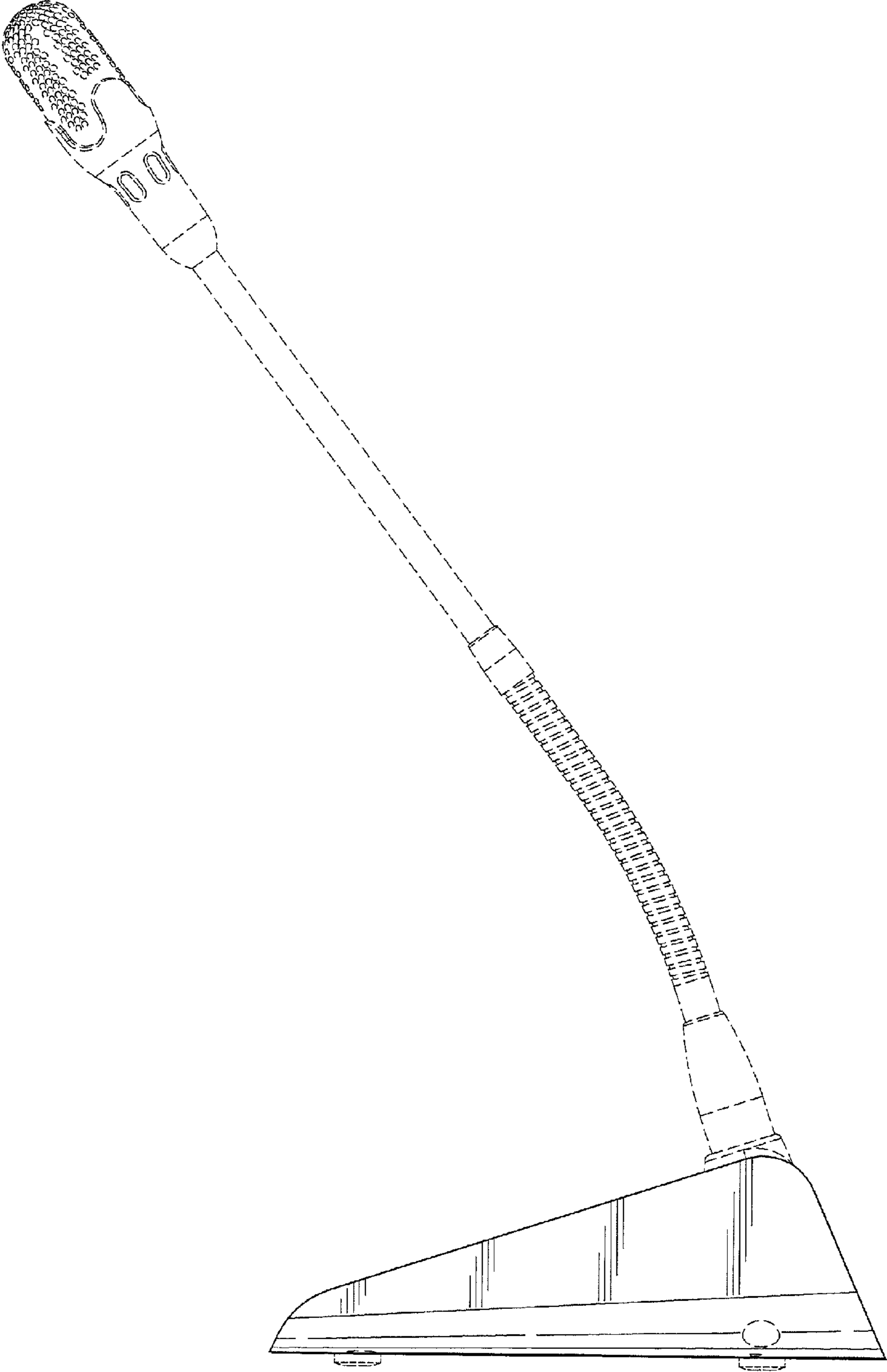


Fig. 2

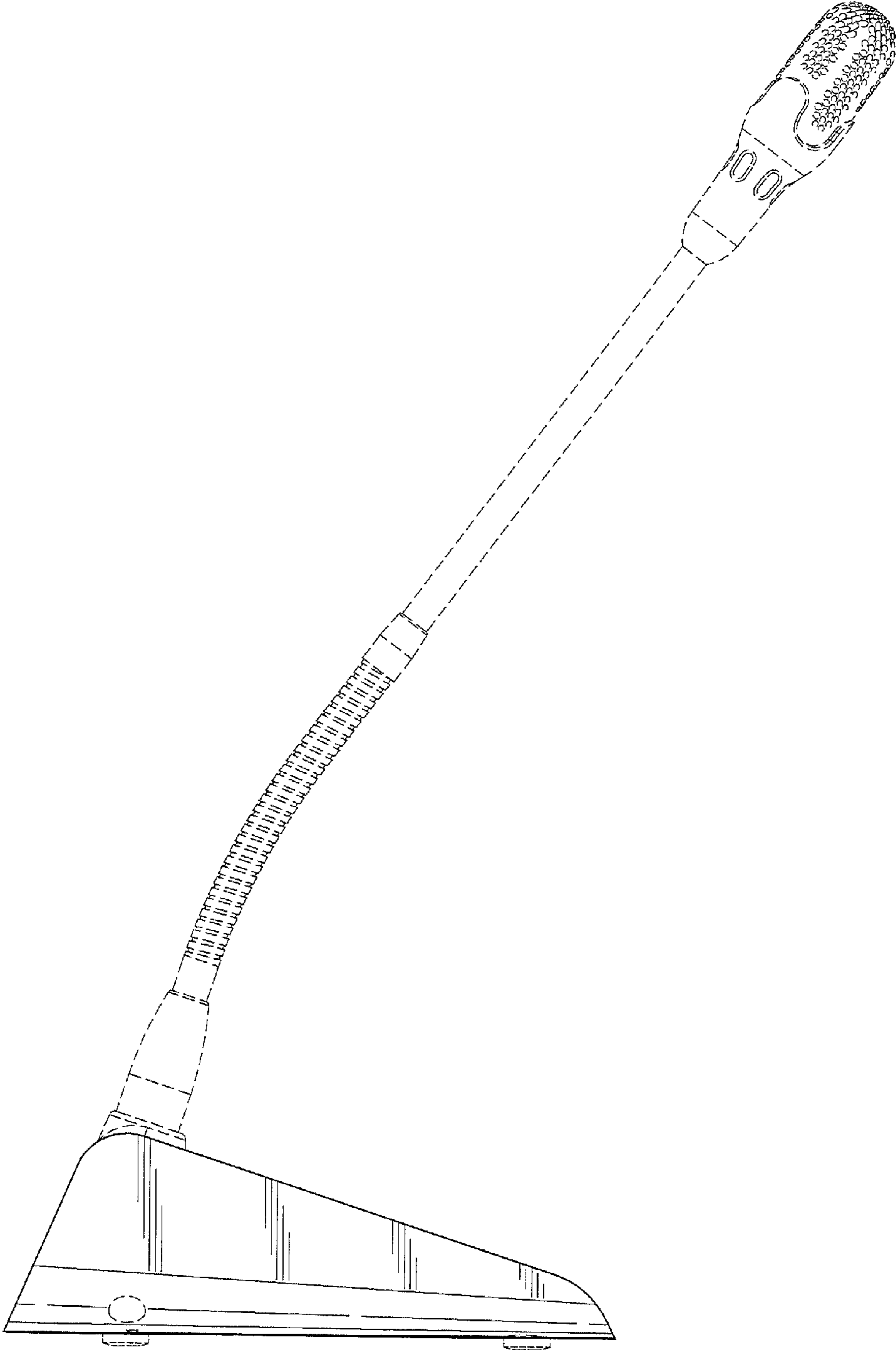


Fig. 3

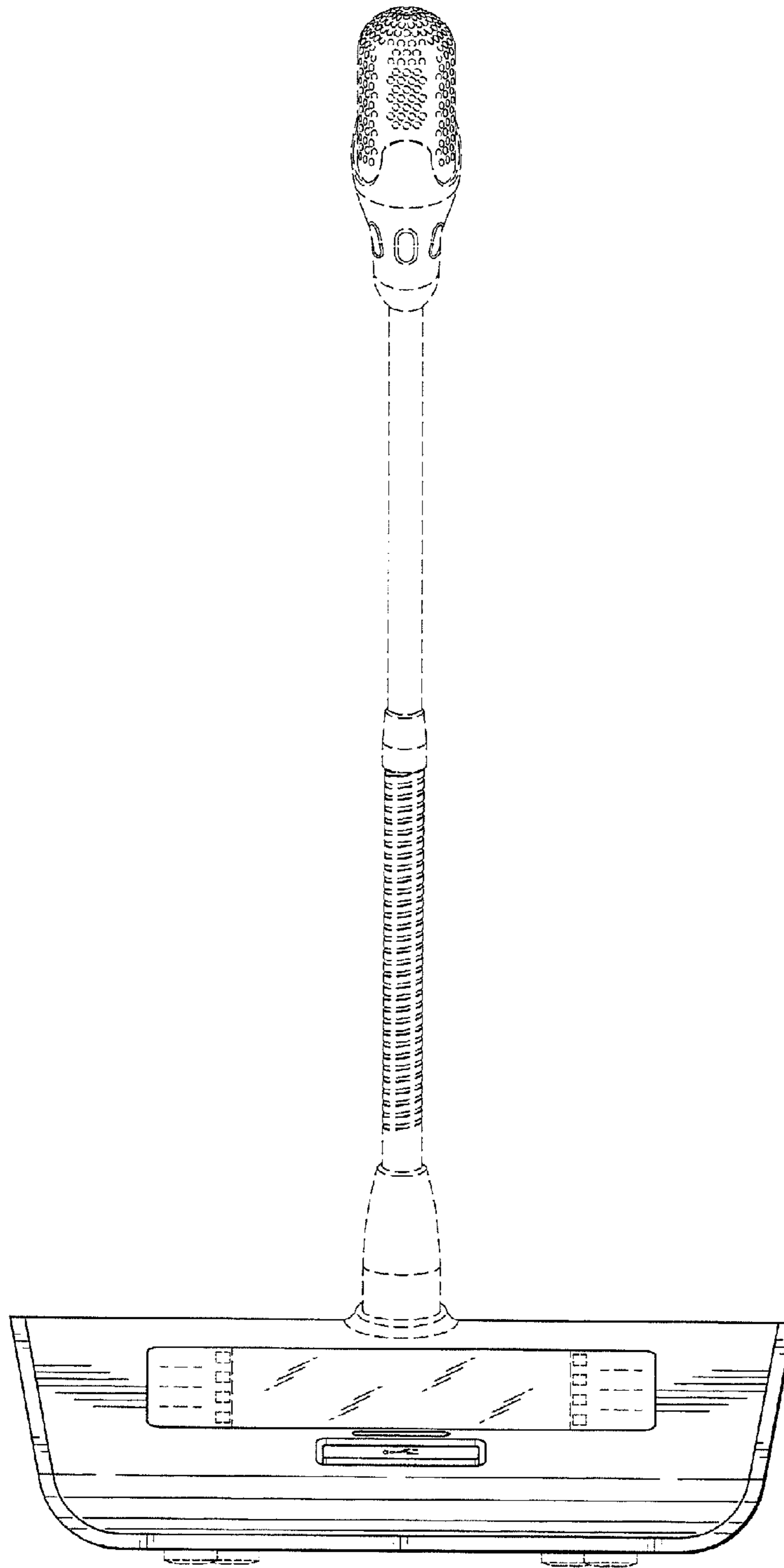


Fig. 4

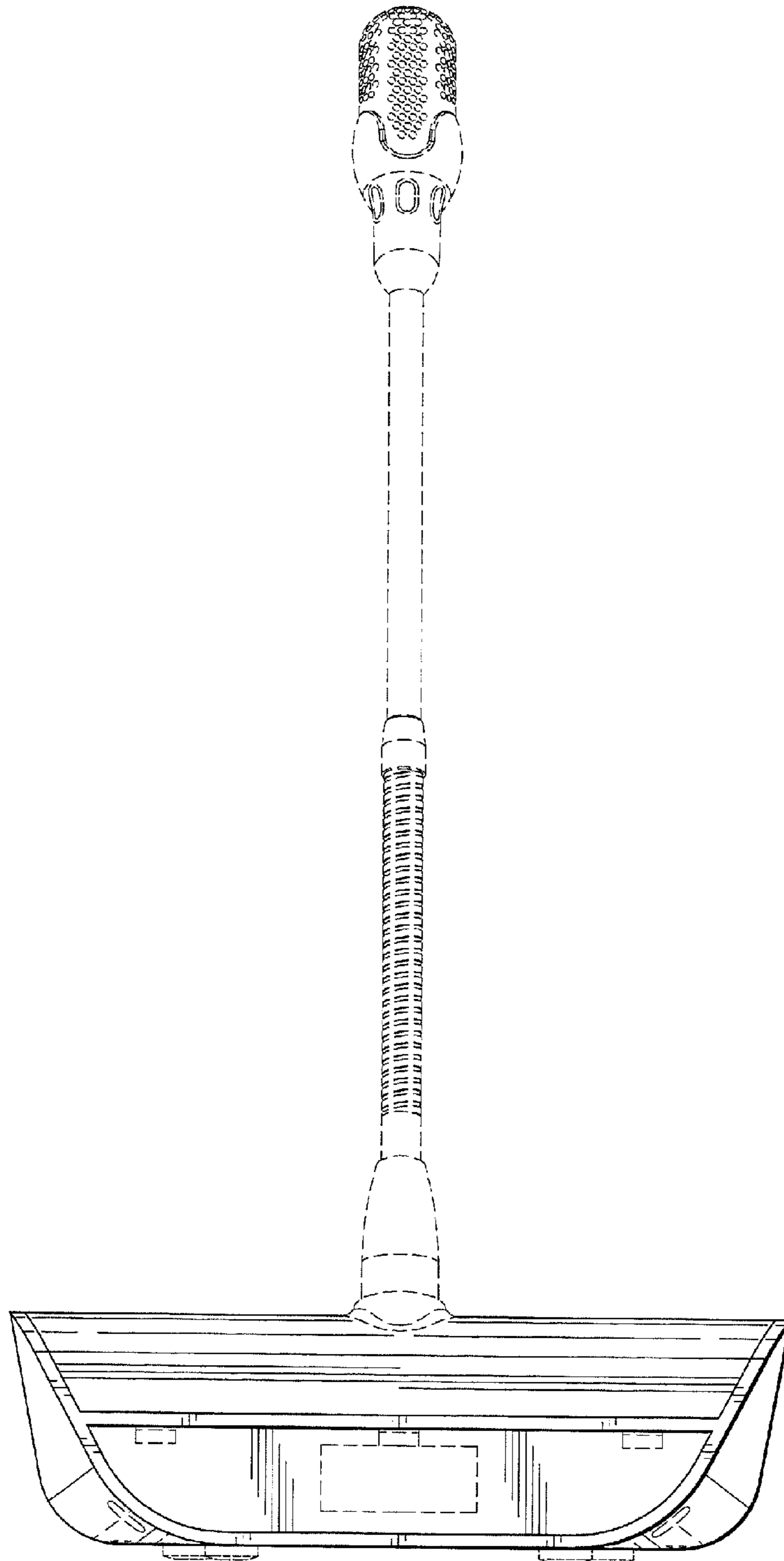


Fig. 5

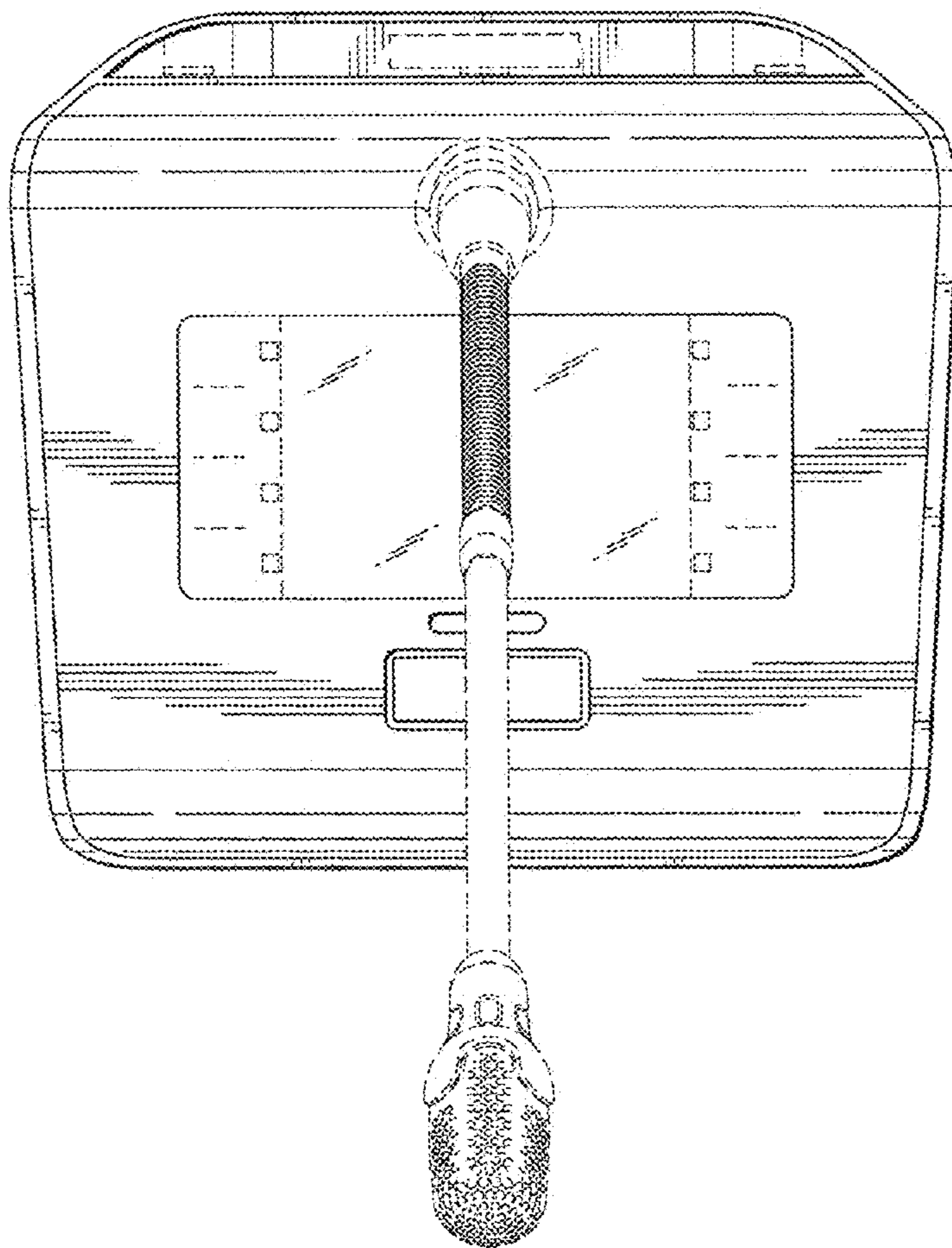


Fig. 6

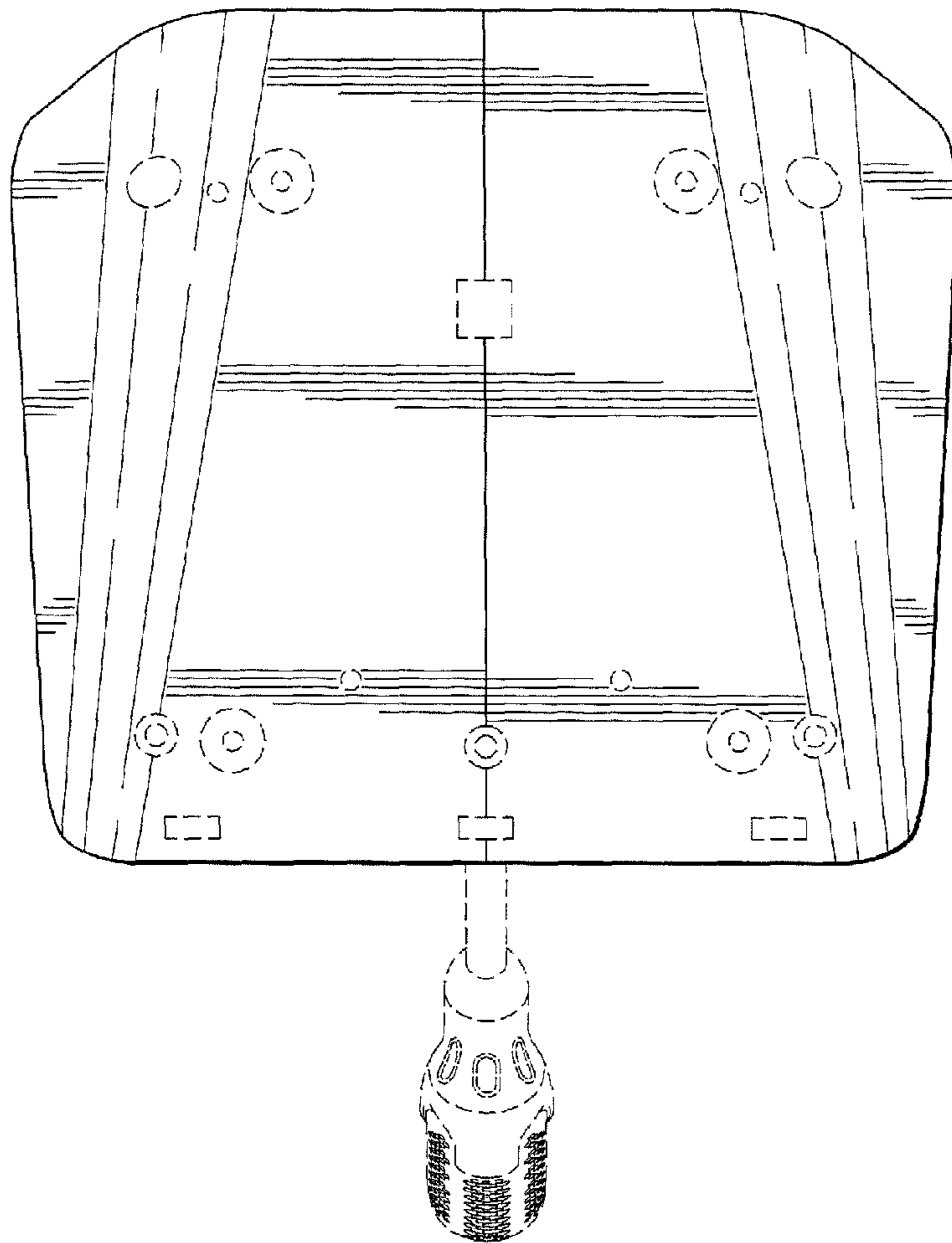


Fig. 7