



US00D718747S

(12) **United States Design Patent**  
**Tran et al.**

(10) **Patent No.:** **US D718,747 S**

(45) **Date of Patent:** **\*\* Dec. 2, 2014**

(54) **REMOTE SPEAKER MICROPHONE**

(71) Applicant: **Motorola Solutions, Inc.**, Schaumburg, IL (US)

(72) Inventors: **Chi T. Tran**, Weston, FL (US); **Ronald C. Bradbery, Jr.**, Schaumburg, IL (US); **Scott H. Richards**, Plantation, FL (US)

(73) Assignee: **Motorola Solutions, Inc.**, Schaumburg, IL (US)

(\*\*) Term: **14 Years**

(21) Appl. No.: **29/475,289**

(22) Filed: **Dec. 2, 2013**

(51) **LOC (10) Cl.** ..... **14-01**

(52) **U.S. Cl.**  
USPC ..... **D14/226**; D14/137

(58) **Field of Classification Search**  
CPC ..... H04R 1/08; H04R 11/04; H04R 25/04; H04R 25/65  
USPC ..... D14/225, 110, 155, 158, 159, 137, 185, D14/186, 188, 191, 204, 210, 212, 214-219, D14/221, 226, 228, 229, 240, 416; D21/329, 483; D13/168; 379/368, 430, 379/431, 433, 433.02, 388, 419, 420, 428, 379/440, 441, 442, 426, 454, 455; 381/91, 381/122, 355, 357, 358, 163, 191, 153, 157, 381/161, 361; 455/77, 78, 90, 90.1, 90.3, 455/550, 151.1, 158.2, 575, 575.1, 575.2, 455/575.8; 446/410, 454; 181/158, 242; D10/106.1

See application file for complete search history.

(56) **References Cited**

**U.S. PATENT DOCUMENTS**

D291,078 S \* 7/1987 Scheid et al. .... D14/225  
4,679,233 A \* 7/1987 Richardson et al. .... 379/433.02

D302,688 S \* 8/1989 Toth et al. .... D14/137  
D336,300 S \* 6/1993 Tokiyama et al. .... D14/225  
D346,804 S \* 5/1994 Tokiyama .... D14/226  
D356,790 S \* 3/1995 Davison et al. .... D14/137  
D388,094 S \* 12/1997 Tokiyama et al. .... D14/226  
6,041,243 A \* 3/2000 Davidson et al. .... 455/575.1  
D483,352 S \* 12/2003 Witzak et al. .... D14/225  
D490,786 S \* 6/2004 Richards et al. .... D14/137  
D494,960 S \* 8/2004 Lum .... D14/225  
D497,600 S \* 10/2004 Richards et al. .... D14/137  
D503,398 S \* 3/2005 Haase et al. .... D14/225  
D564,999 S \* 3/2008 Richards et al. .... D14/137  
D605,616 S \* 12/2009 Scott et al. .... D14/137  
D635,945 S \* 4/2011 Richards et al. .... D14/137  
D635,946 S \* 4/2011 Garra et al. .... D14/137  
D654,035 S \* 2/2012 Ismail et al. .... D14/137  
D662,090 S 6/2012 Richards et al.  
8,415,577 B2 \* 4/2013 Garcia et al. .... 200/564

(Continued)

*Primary Examiner* — Susan Bennett Hattan

*Assistant Examiner* — Marie Fast Horse

(74) *Attorney, Agent, or Firm* — Barbara R. Doutre

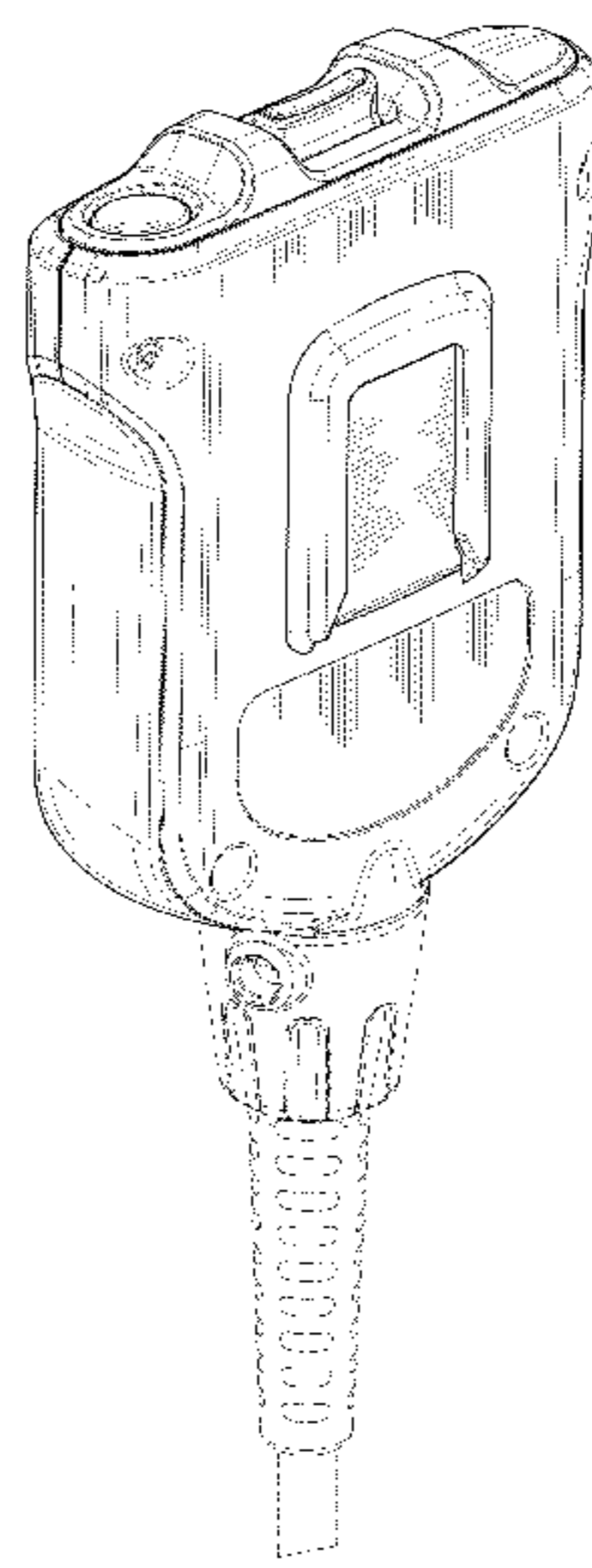
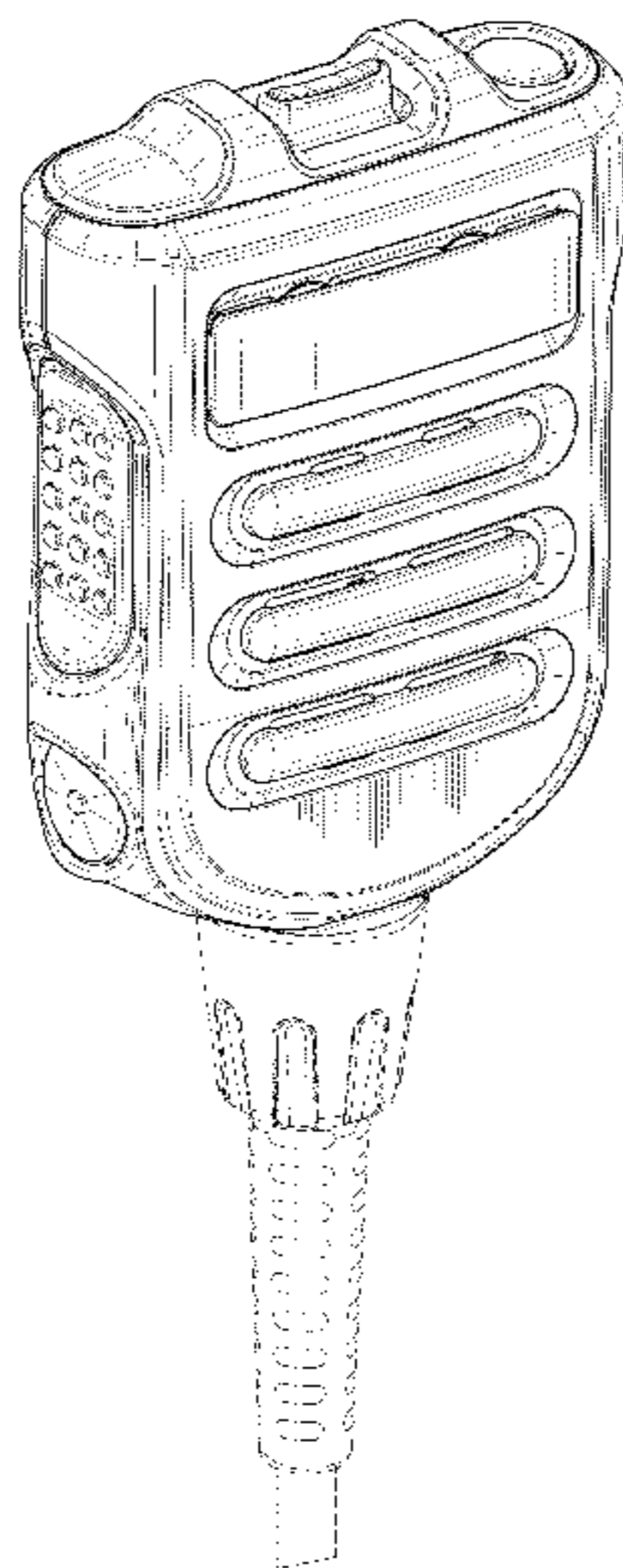
(57) **CLAIM**

The ornamental design for a remote speaker microphone, as shown and described.

**DESCRIPTION**

FIG. 1 is a front perspective view of an ornamental design for a remote speaker microphone;  
FIG. 2 is a rear perspective view thereof;  
FIG. 3 is a front view thereof;  
FIG. 4 is a rear view thereof;  
FIG. 5 is a first side view thereof;  
FIG. 6 is a second side view thereof;  
FIG. 7 is a top view thereof; and,  
FIG. 8 is a bottom view thereof.  
The broken lines shown in FIGS. 1-8 are included for the purpose of illustrating environmental elements only and form no part of the claimed design.

**1 Claim, 7 Drawing Sheets**



# US D718,747 S

Page 2

---

(56)

## References Cited

### U.S. PATENT DOCUMENTS

|          |   |   |        |              |       |         |               |       |                     |
|----------|---|---|--------|--------------|-------|---------|---------------|-------|---------------------|
|          |   |   |        | 2006/0135088 | A1*   | 6/2006  | Chen          | ..... | 455/90.3            |
|          |   |   |        | 2011/0281533 | A1*   | 11/2011 | Deleus et al. | ..... | 455/90.2            |
|          |   |   |        | 2012/0046062 | A1*   | 2/2012  | Namm et al.   | ..... | 455/520             |
| D700,157 | S | * | 2/2014 | Kang et al.  | ..... |         | D14/137       |       |                     |
| D700,158 | S | * | 2/2014 | Kang et al.  | ..... |         | D14/137       |       | * cited by examiner |

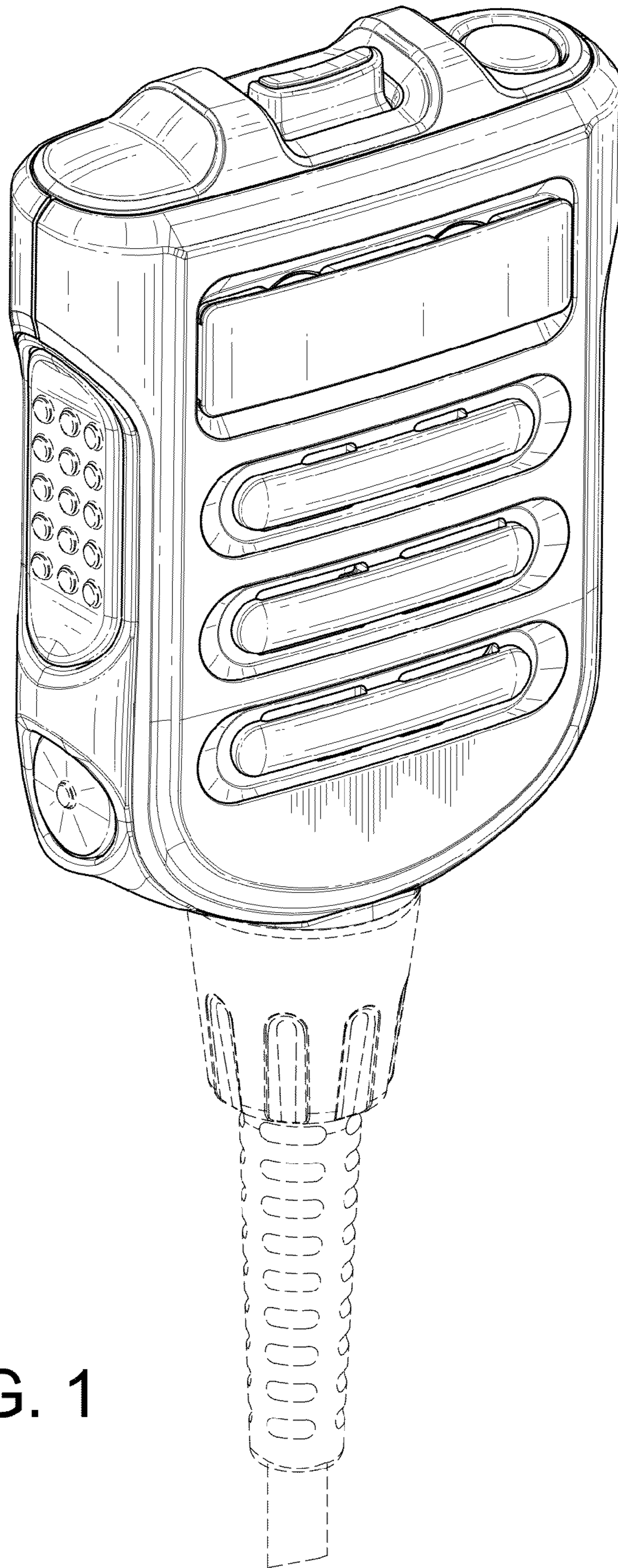


FIG. 1



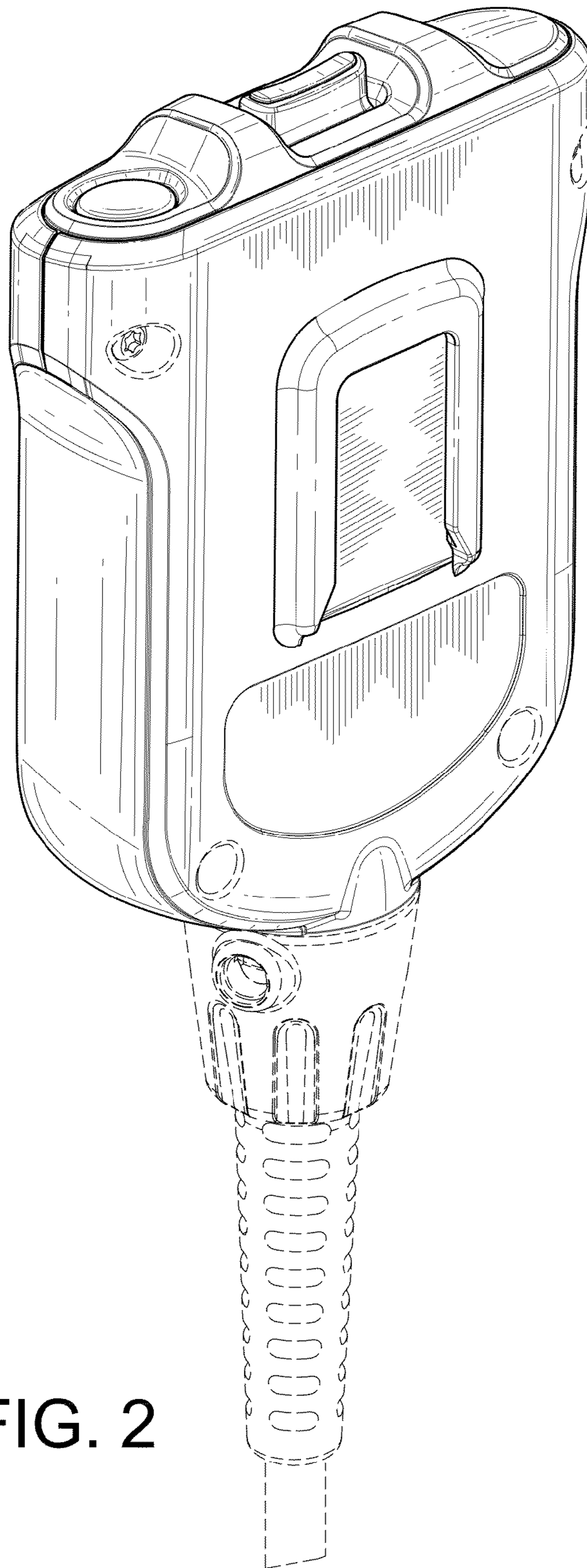


FIG. 2

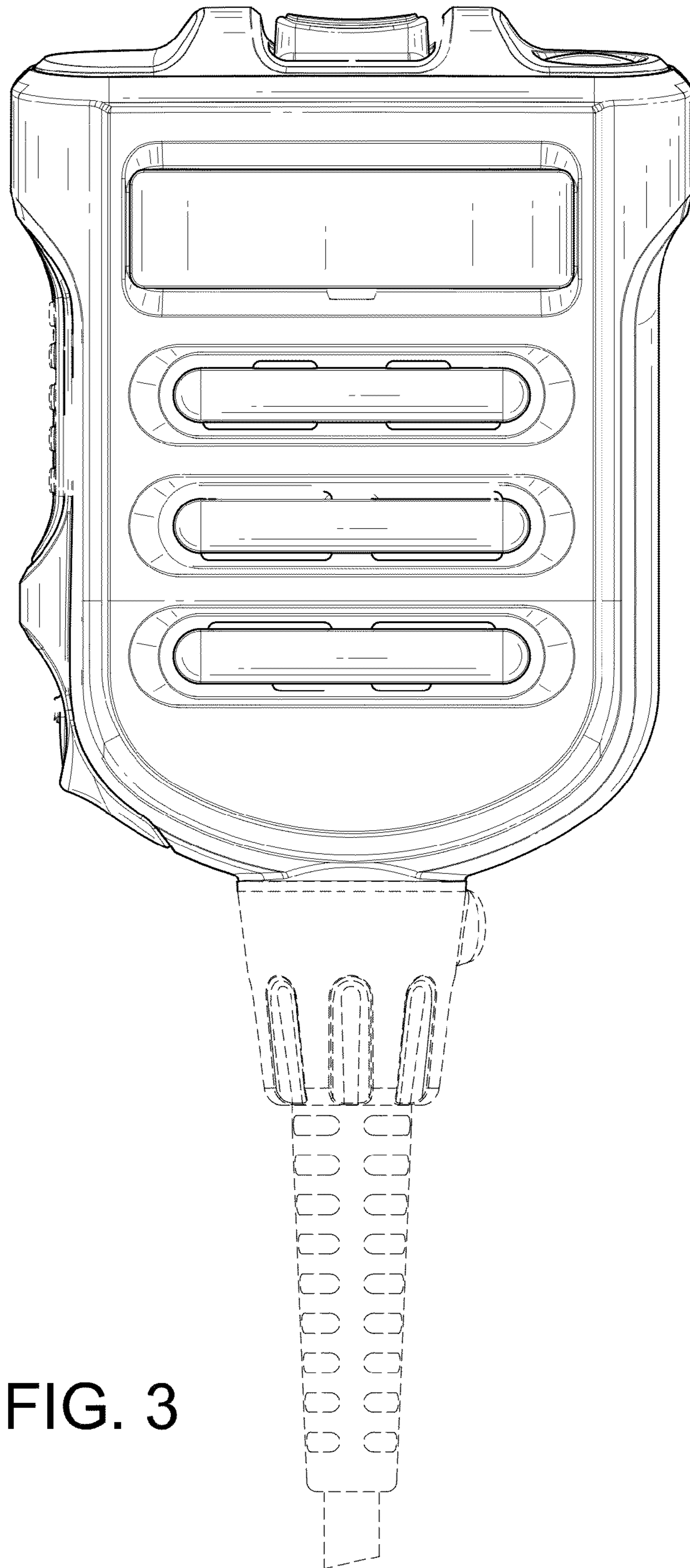


FIG. 3

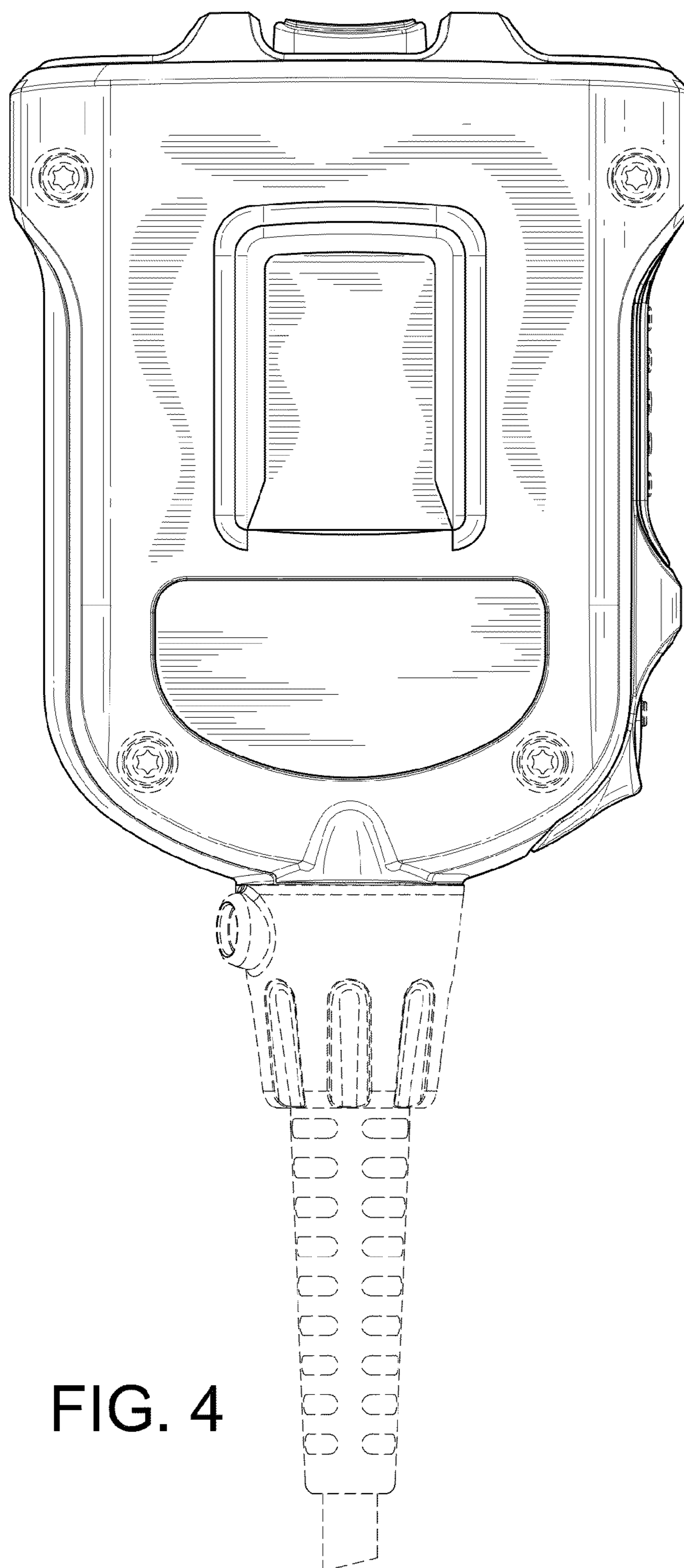


FIG. 4

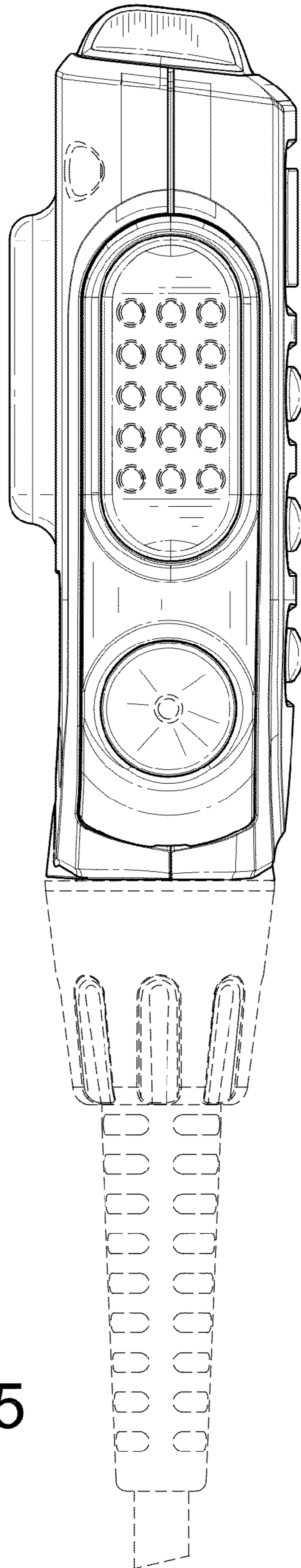


FIG. 5



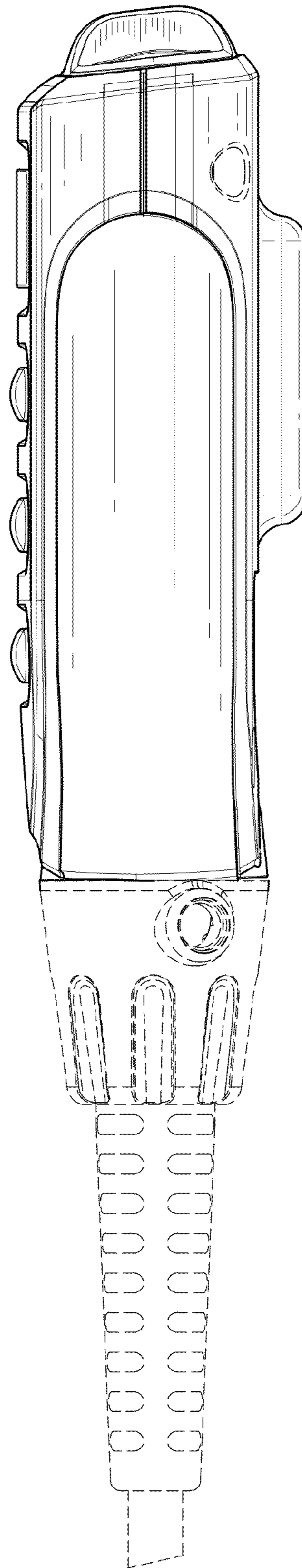


FIG. 6



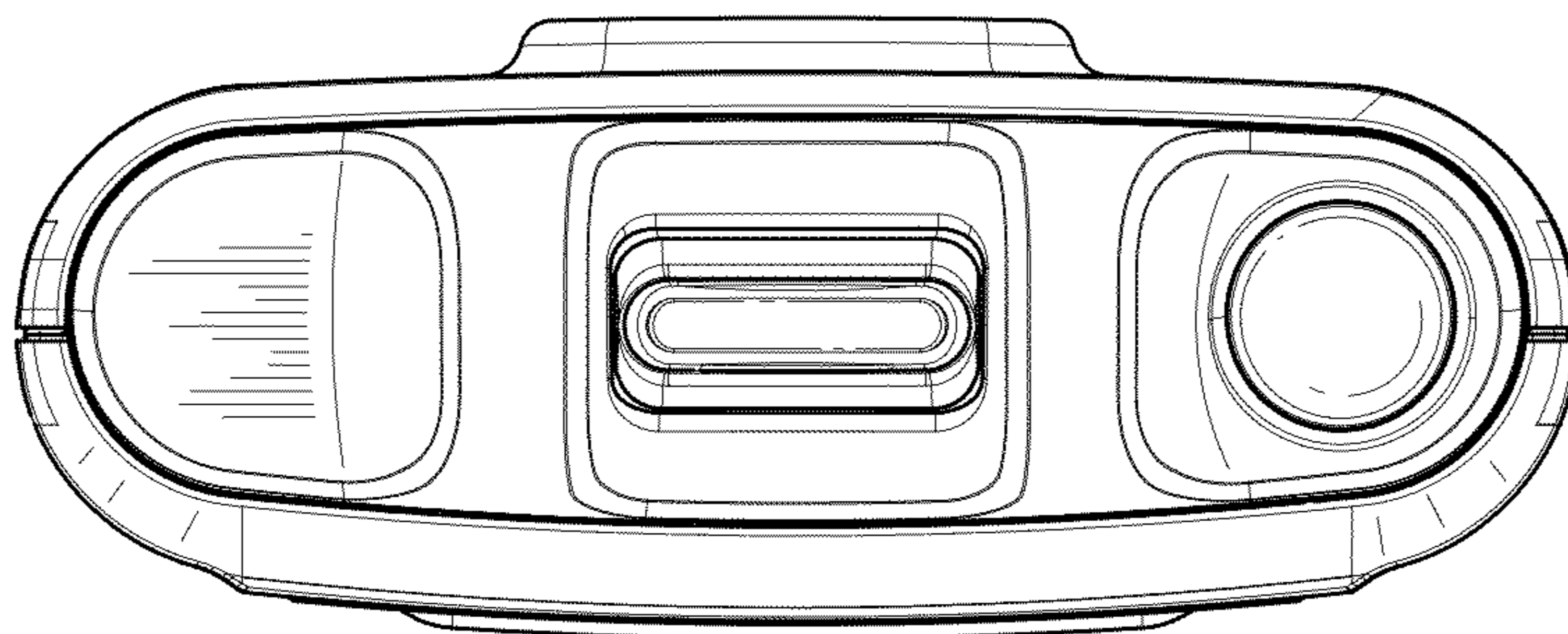


FIG. 7

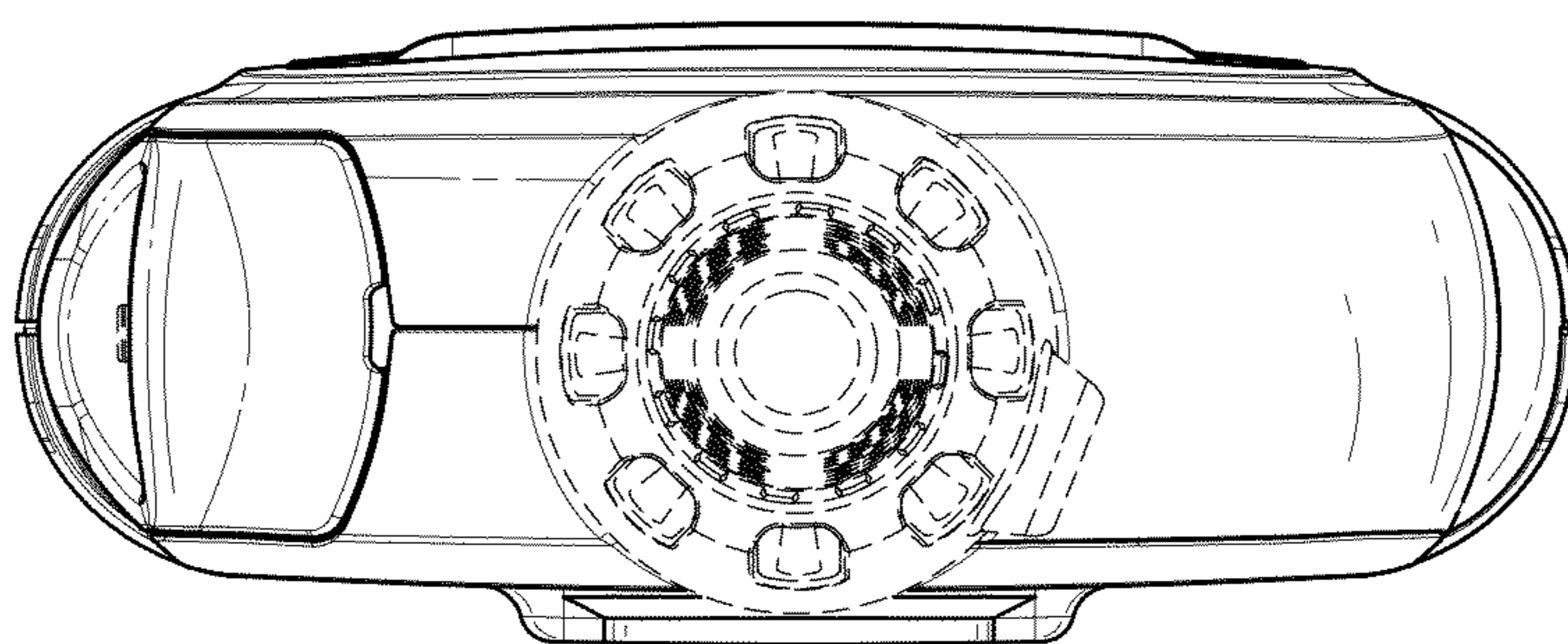


FIG. 8