



US00D718745S

(12) **United States Design Patent**
Thompson et al.

(10) **Patent No.:** **US D718,745 S**
(45) **Date of Patent:** **** Dec. 2, 2014**

(54) **PAIR OF HEADPHONES**

(75) Inventors: **David Matthew Thompson**, Hamersley (AU); **Matthew Rowett**, East Fremantle (AU); **Iain Finlay**, Port Mcquarie (AU)

(73) Assignee: **AudioFly Pty Ltd.** (AU)

(**) Term: **14 Years**

(21) Appl. No.: **29/424,872**

(22) Filed: **Jun. 15, 2012**

(30) **Foreign Application Priority Data**

Dec. 16, 2011 (AU) 15825/2011
Dec. 16, 2011 (AU) 340924

(51) **LOC (10) Cl.** **14-01**

(52) **U.S. Cl.**
USPC **D14/223**

(58) **Field of Classification Search**
CPC H04R 1/10
USPC D14/205, 223; D24/174; 181/129, 130, 181/135; 379/430, 431; 381/380, 381; 455/90.3, 575.1
See application file for complete search history.

(56) **References Cited**

U.S. PATENT DOCUMENTS

D287,280 S * 12/1986 Topholm D24/174
D287,764 S * 1/1987 Topholm D24/174
D287,765 S * 1/1987 Topholm D24/174
D574,814 S * 8/2008 Hammond D14/223
D579,006 S * 10/2008 Kim et al. D14/223
D588,111 S * 3/2009 Komiyama D14/223
D603,380 S * 11/2009 Hutchieson D14/223

D625,709 S * 10/2010 Yamamoto D14/223
D626,117 S * 10/2010 Lowry D14/223
D631,470 S * 1/2011 Yoneyama et al. D14/223
D637,182 S * 5/2011 Lee et al. D14/223
D643,414 S * 8/2011 Lee et al. D14/223
D652,822 S * 1/2012 Lee et al. D14/223
D660,292 S * 5/2012 Rautiainen D14/223
D666,581 S * 9/2012 Perez D14/223
8,406,448 B2 * 3/2013 Lin et al. 381/380

* cited by examiner

Primary Examiner — Paula Greene

(74) *Attorney, Agent, or Firm* — Lewis B. Sternfels

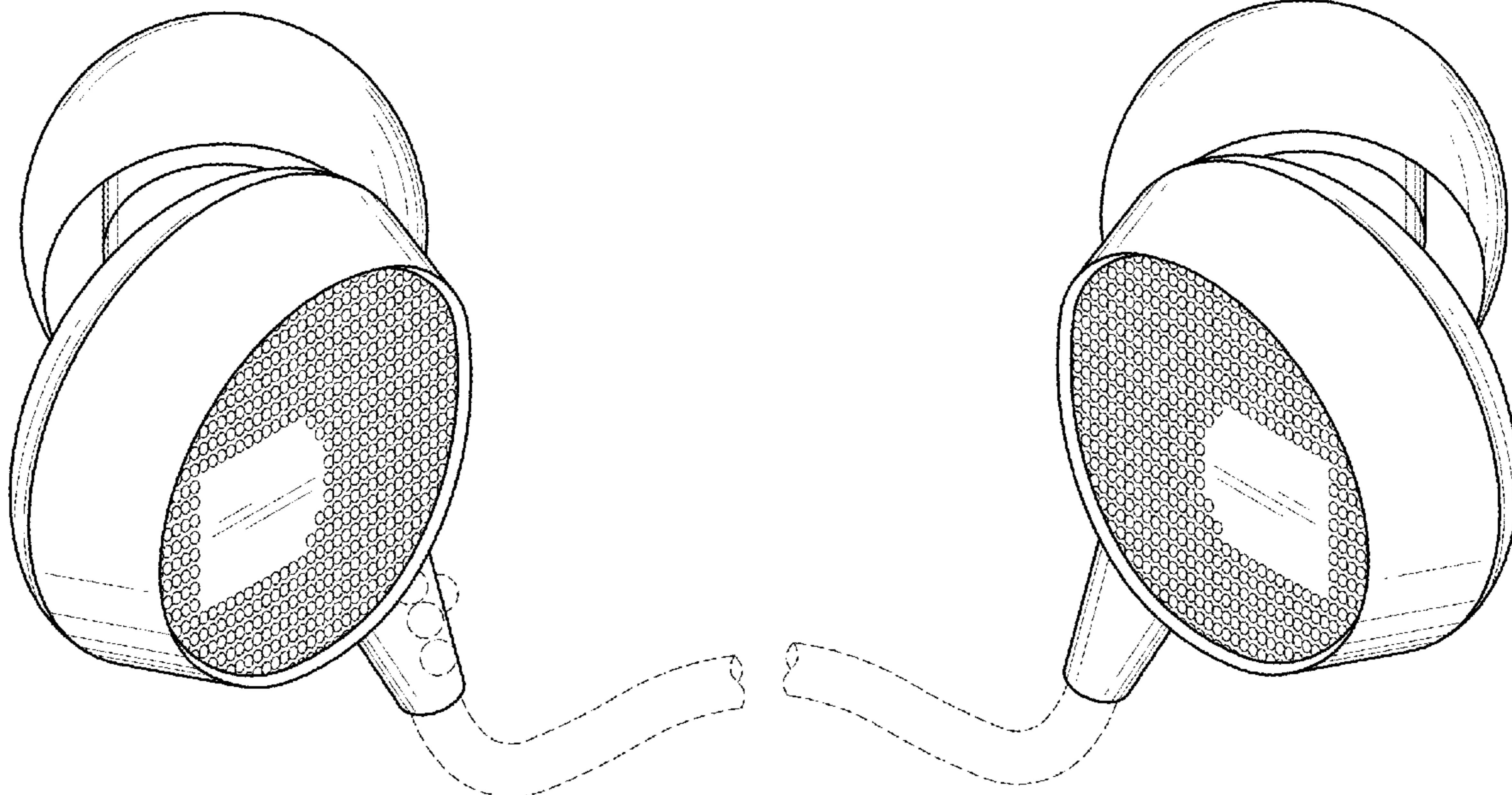
(57) **CLAIM**

The ornamental design for a pair of headphones, as shown and described.

DESCRIPTION

FIG. 1 depicts a back view of the right ear bud;
FIG. 2 depicts a front view of the right ear bud;
FIG. 3 depicts a top view of the right ear bud;
FIG. 4 depicts a left side view of the right ear bud;
FIG. 5 depicts a front elevational/isometric view of the right ear bud;
FIG. 6 depicts a bottom view of the right ear bud;
FIG. 7 depicts a right side view of the right ear bud;
FIG. 8 depicts a back view of the left ear bud;
FIG. 9 depicts a front view of the left ear bud;
FIG. 10 depicts a top view of the left ear bud;
FIG. 11 depicts a left side view of the left ear bud;
FIG. 12 depicts a front elevational/isometric view of the left ear bud;
FIG. 13 depicts a bottom view of the left ear bud; and,
FIG. 14 depicts a right side view of the left ear bud.
The broken lines form no part of the claimed design.

1 Claim, 8 Drawing Sheets



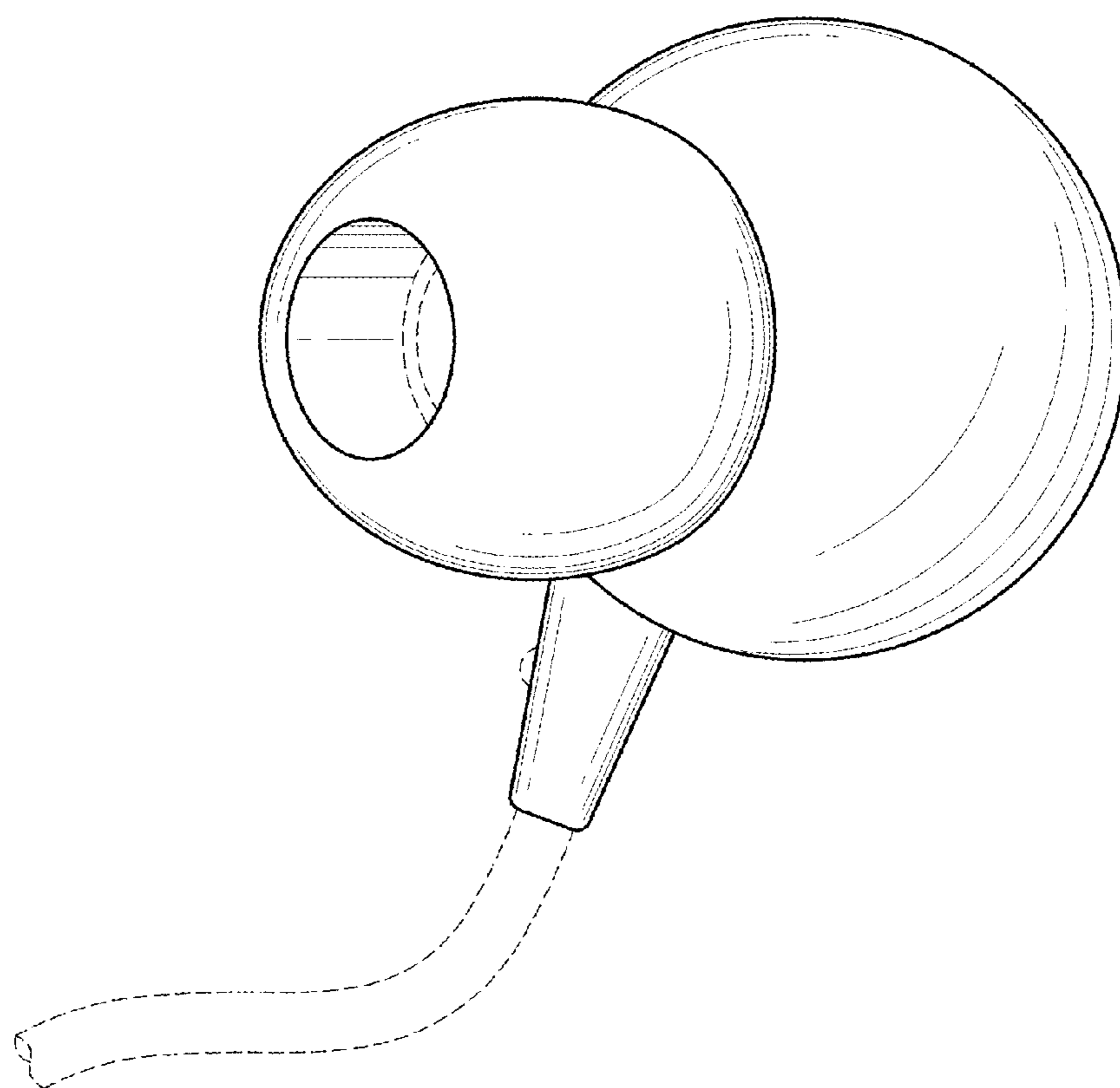


FIG. 1

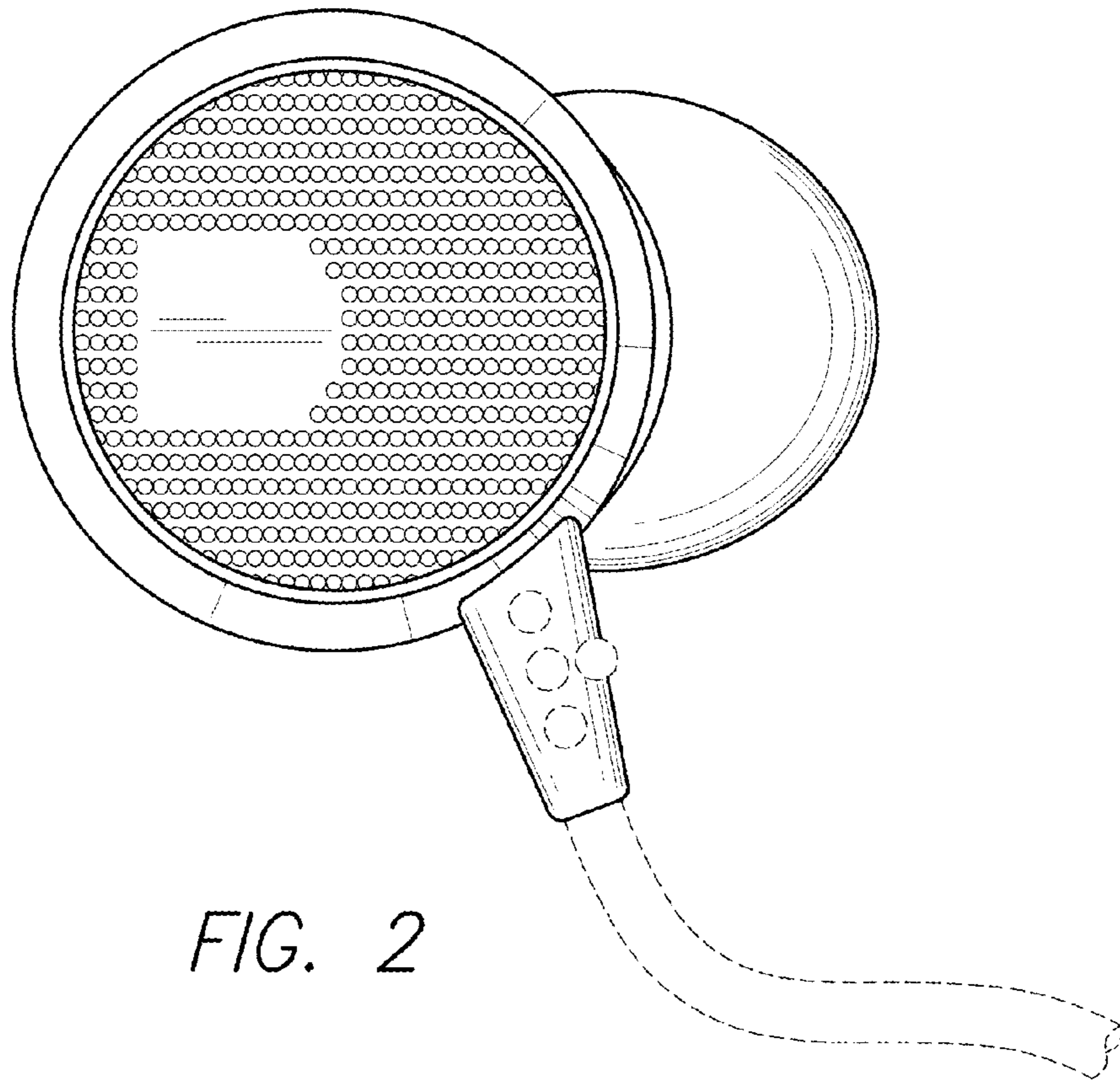


FIG. 2

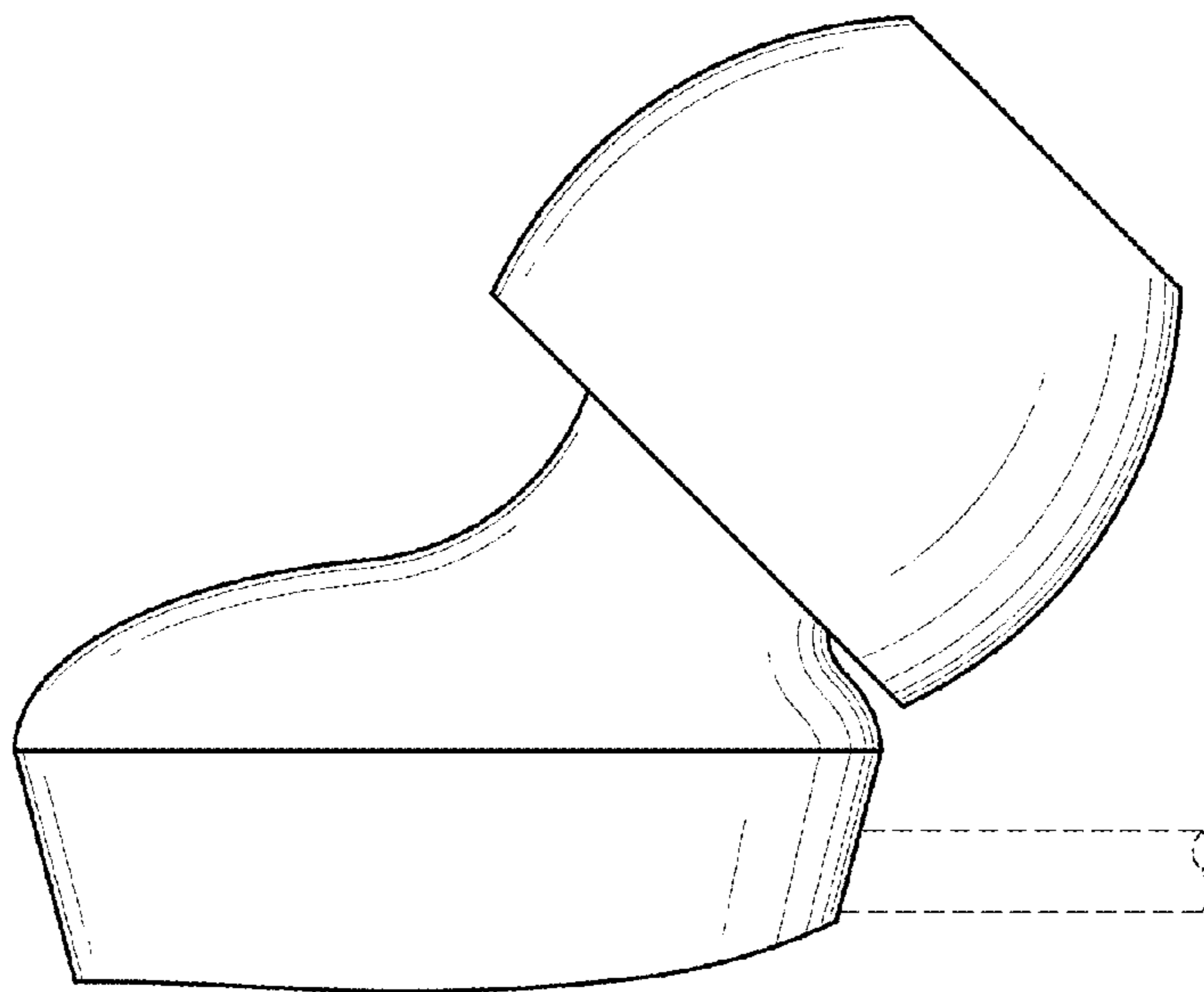


FIG. 3

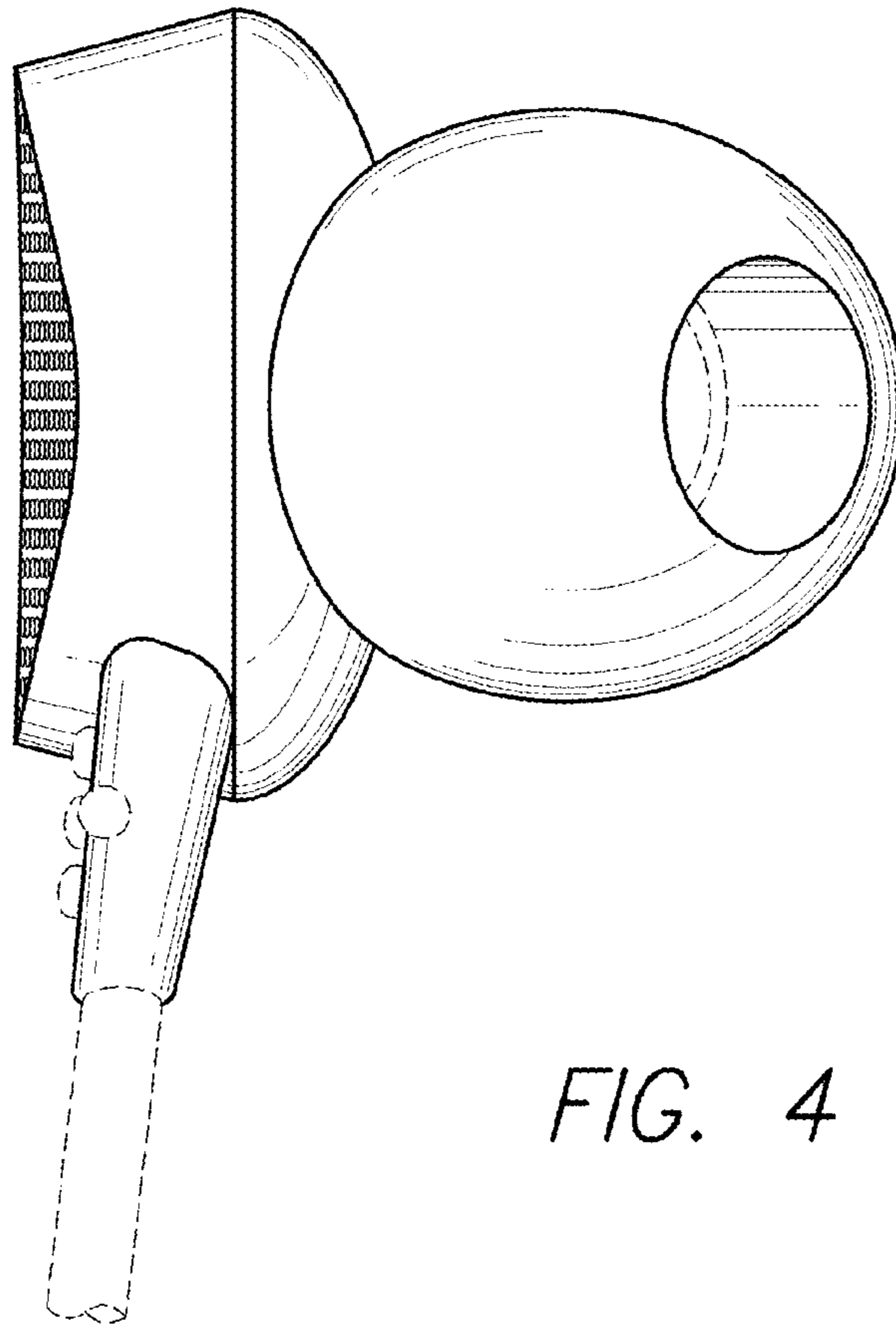


FIG. 4

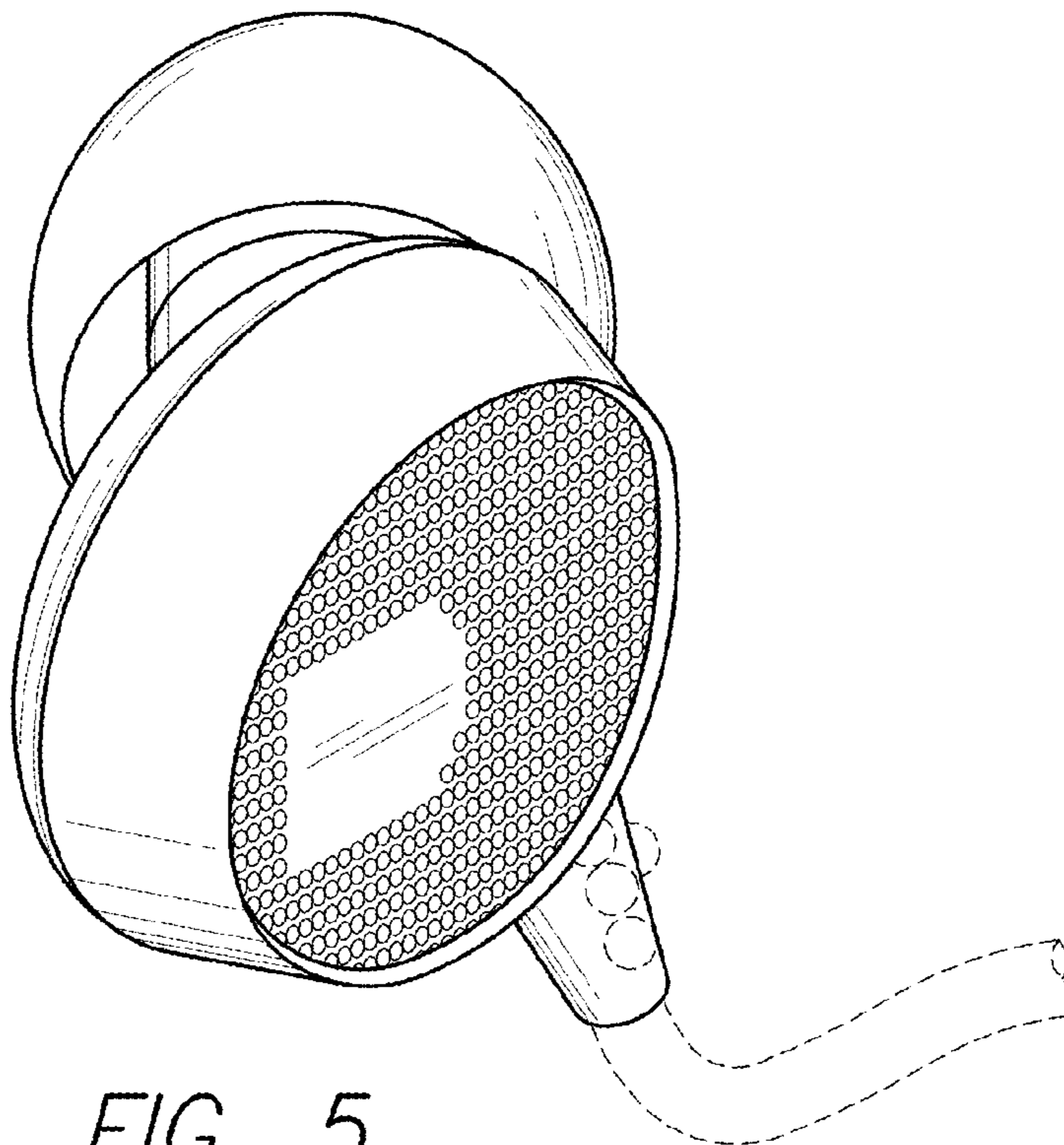


FIG. 5

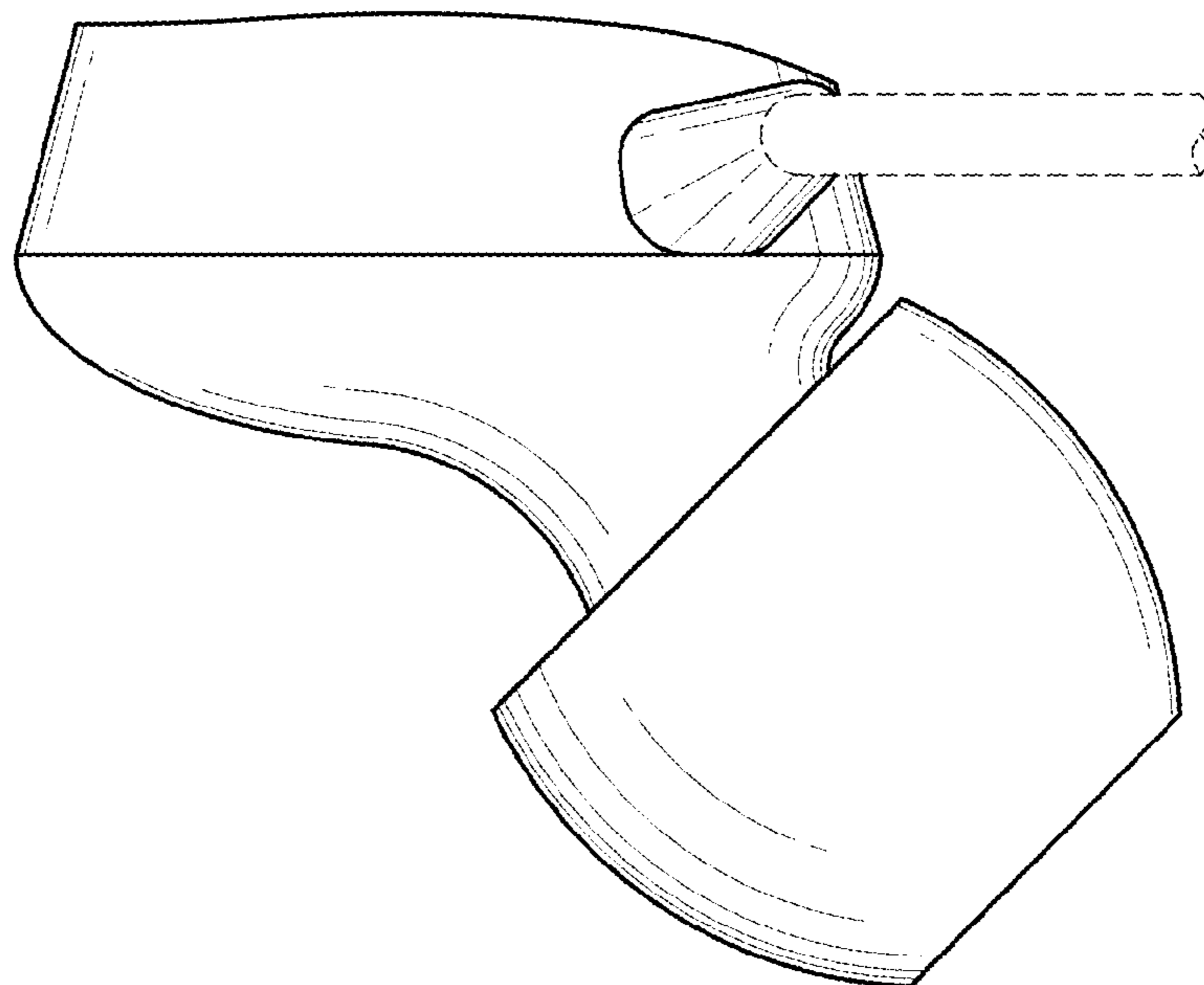


FIG. 6

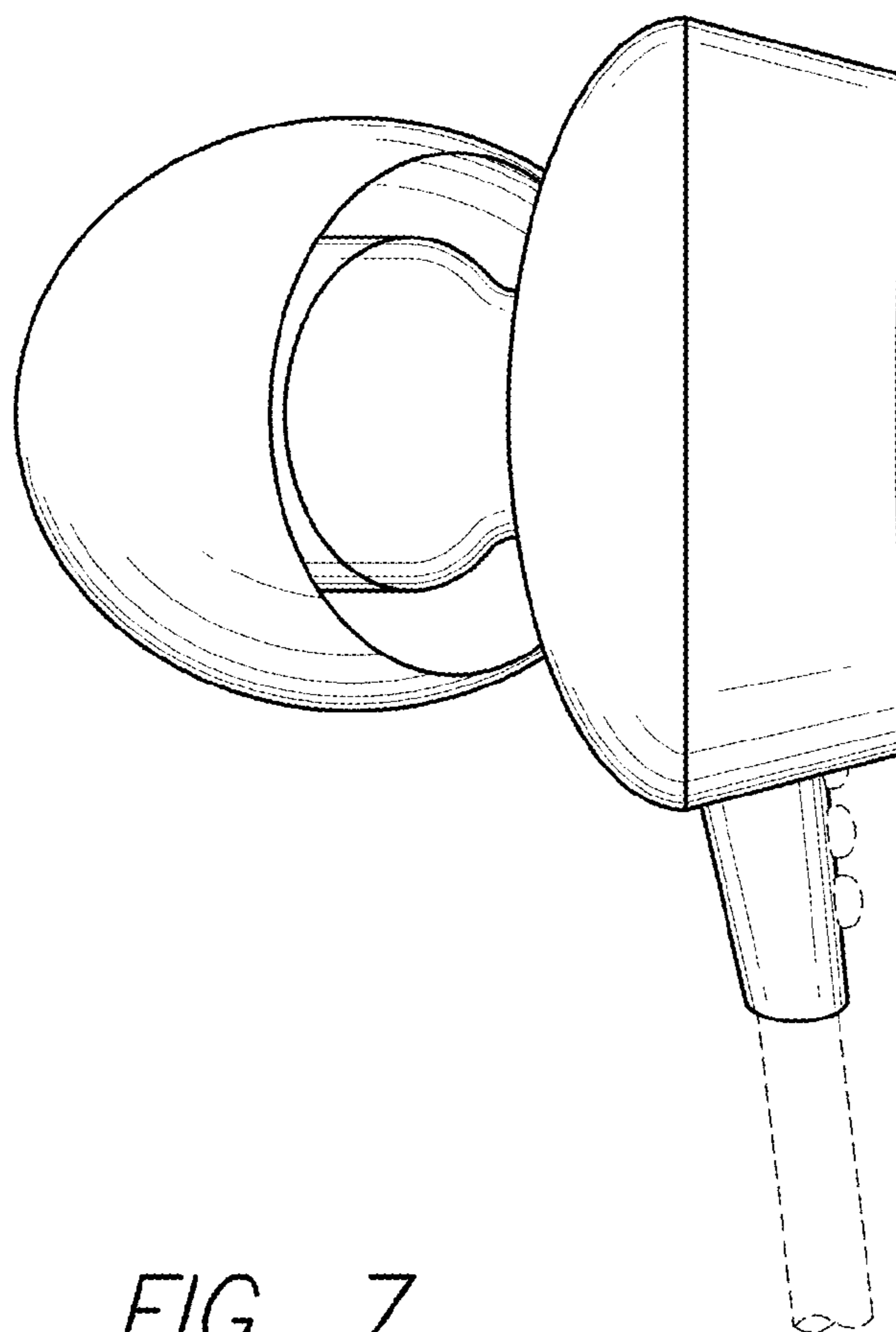


FIG. 7

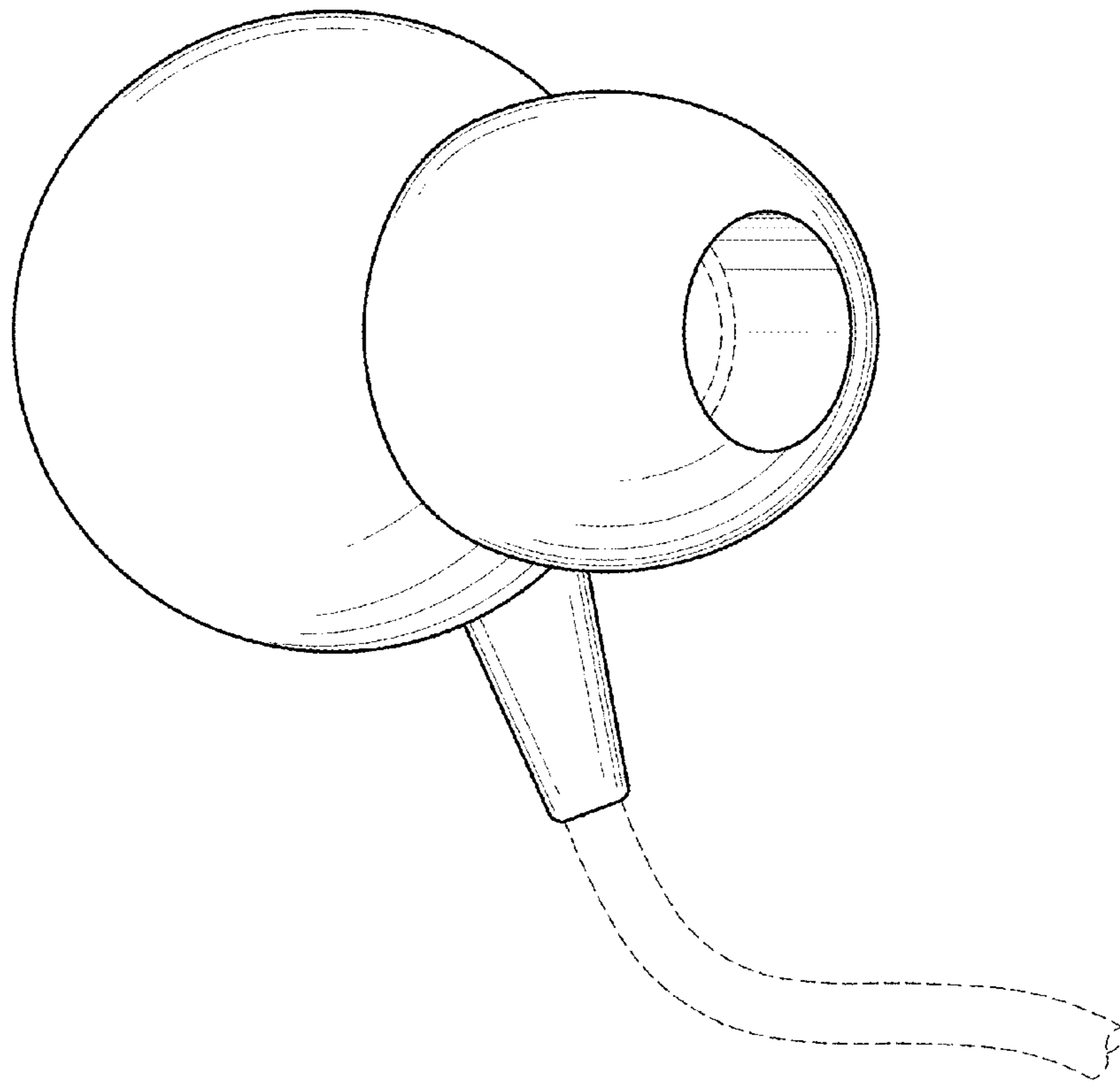


FIG. 8

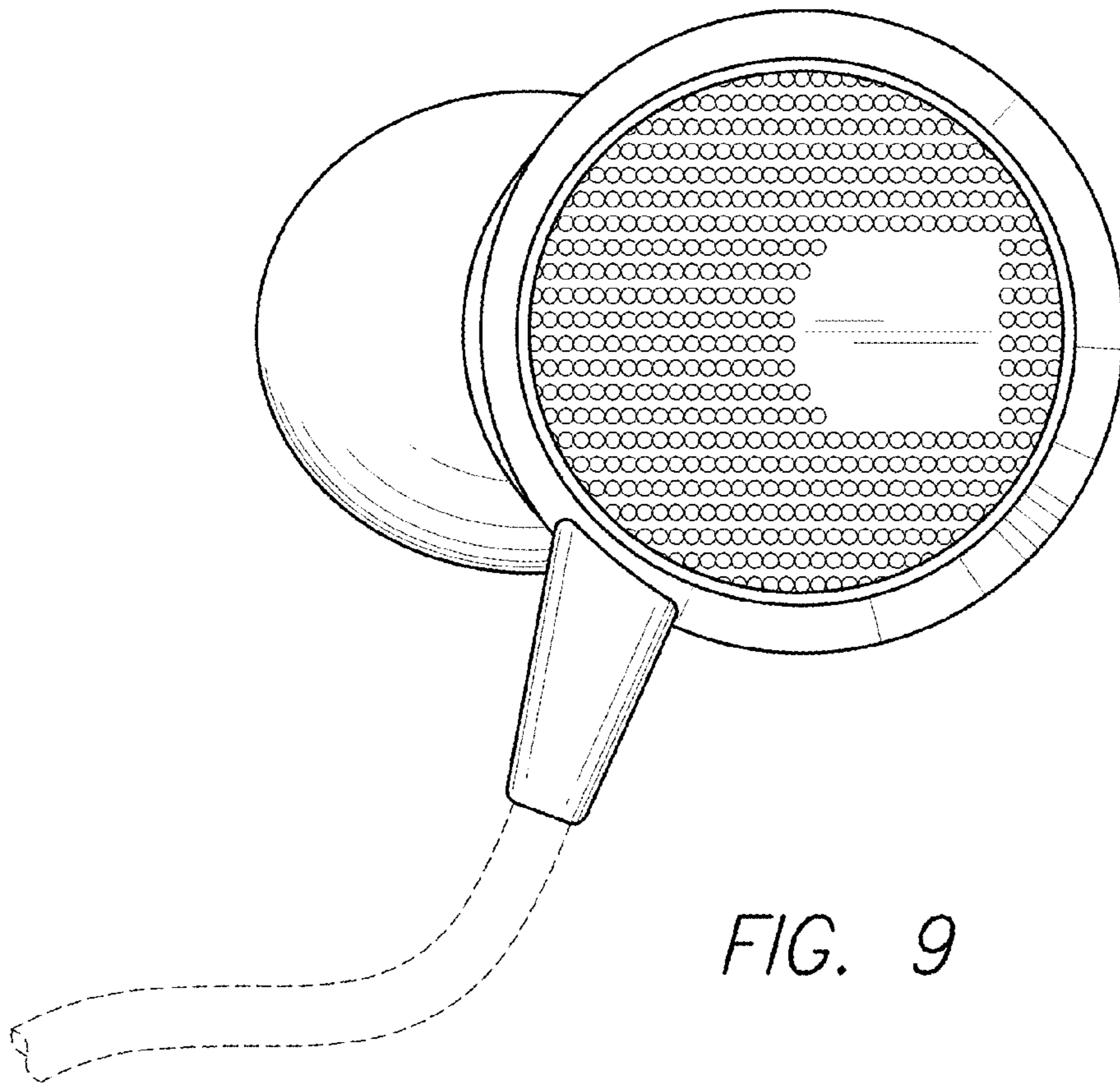


FIG. 9

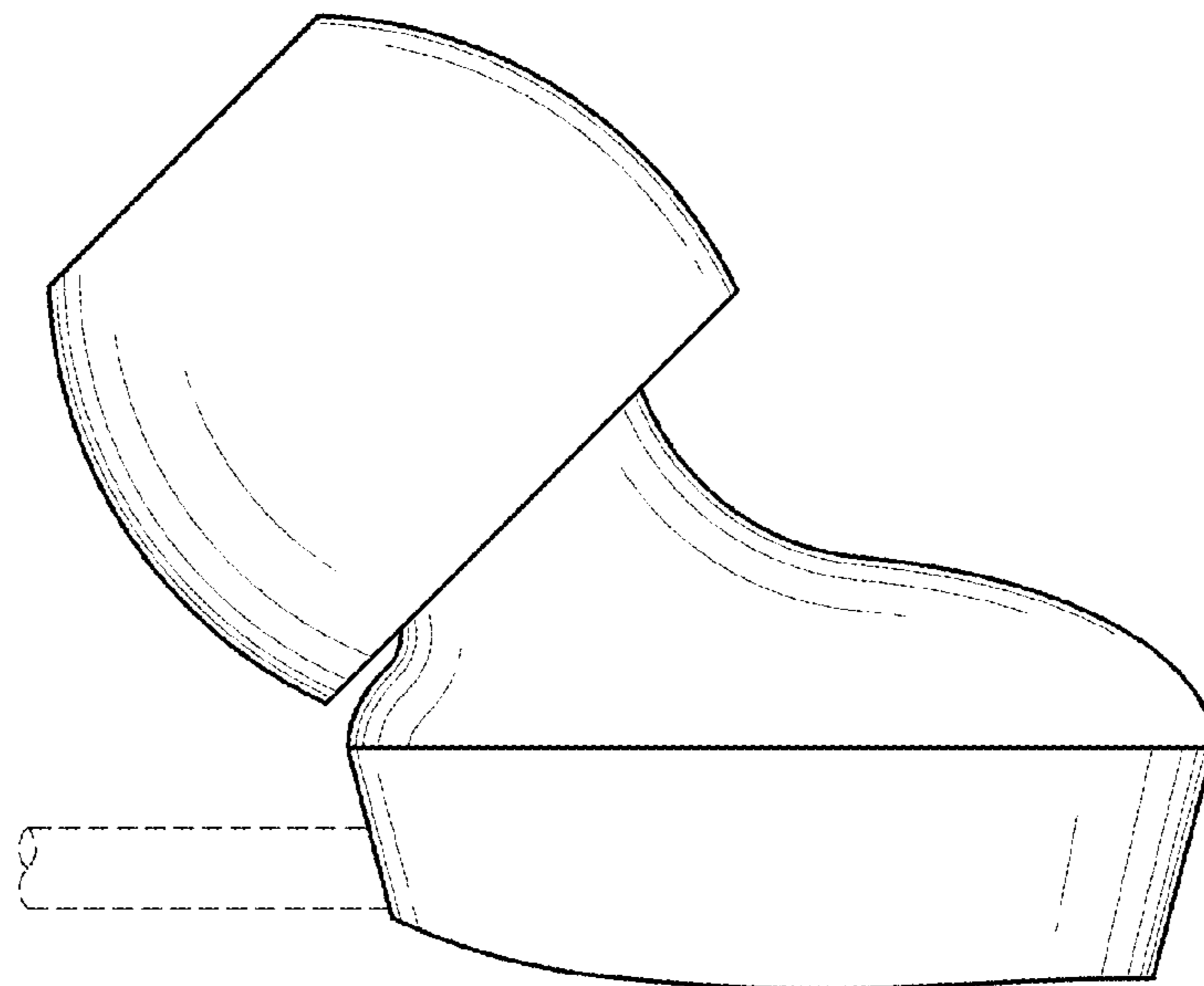


FIG. 10

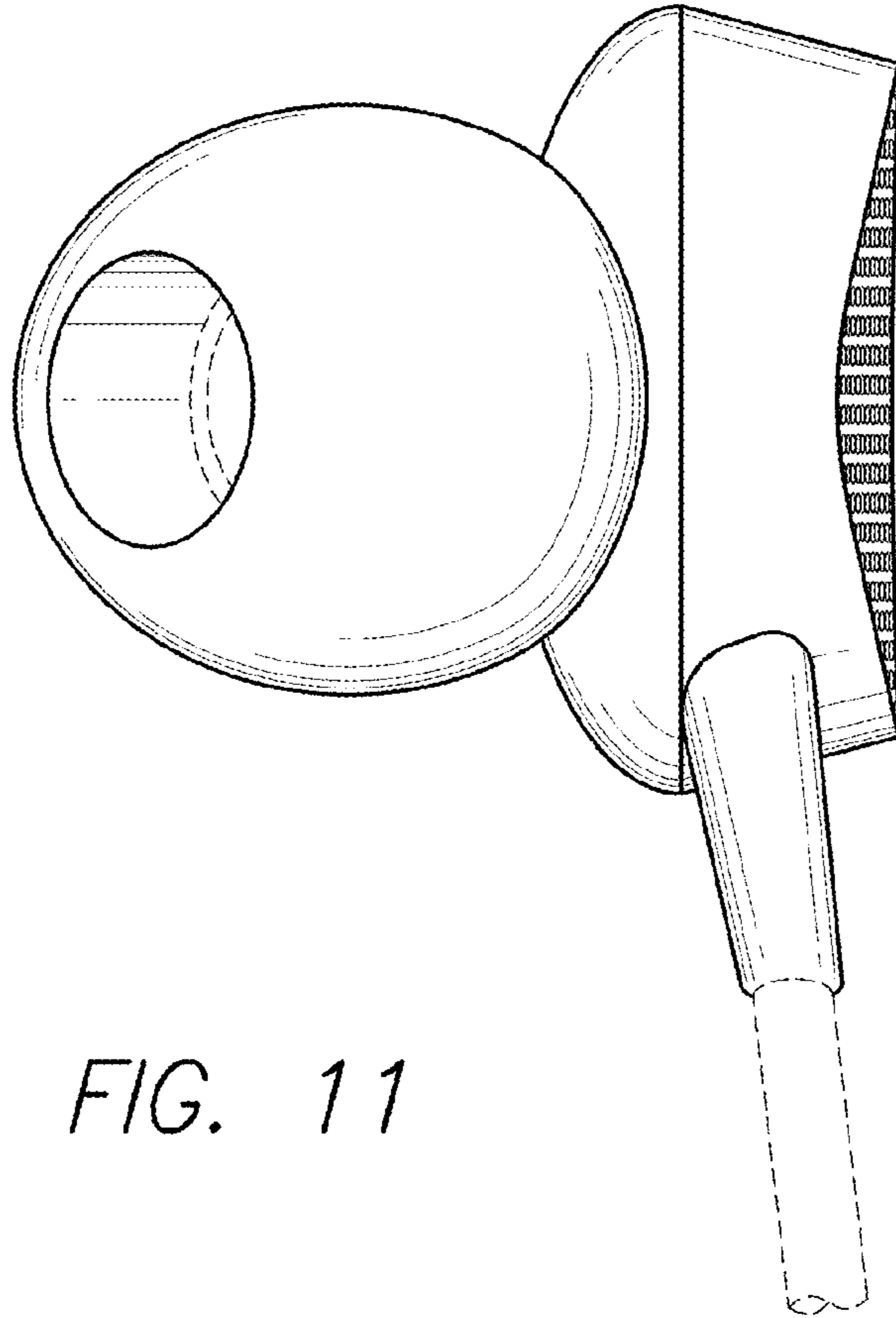


FIG. 11

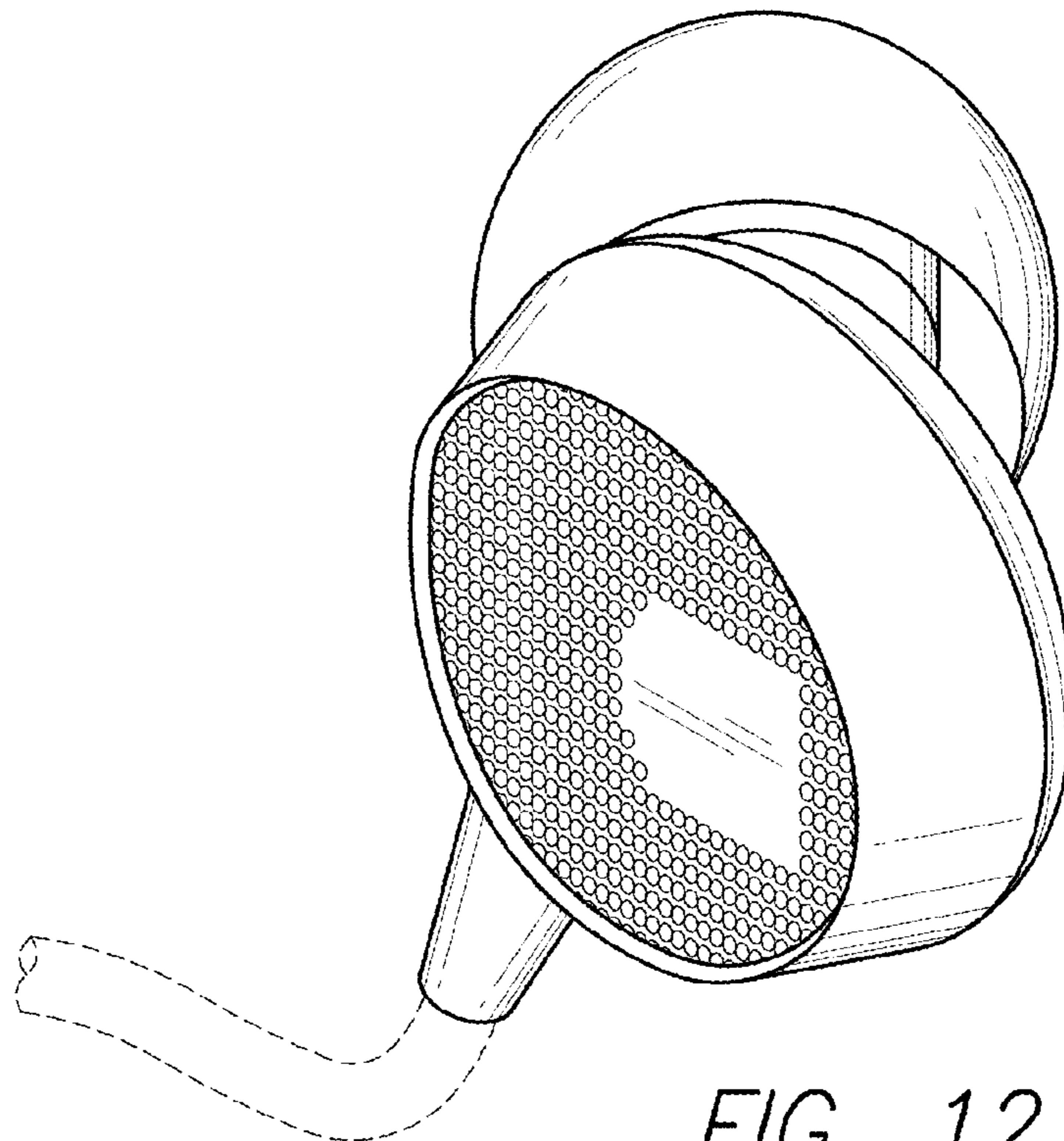


FIG. 12

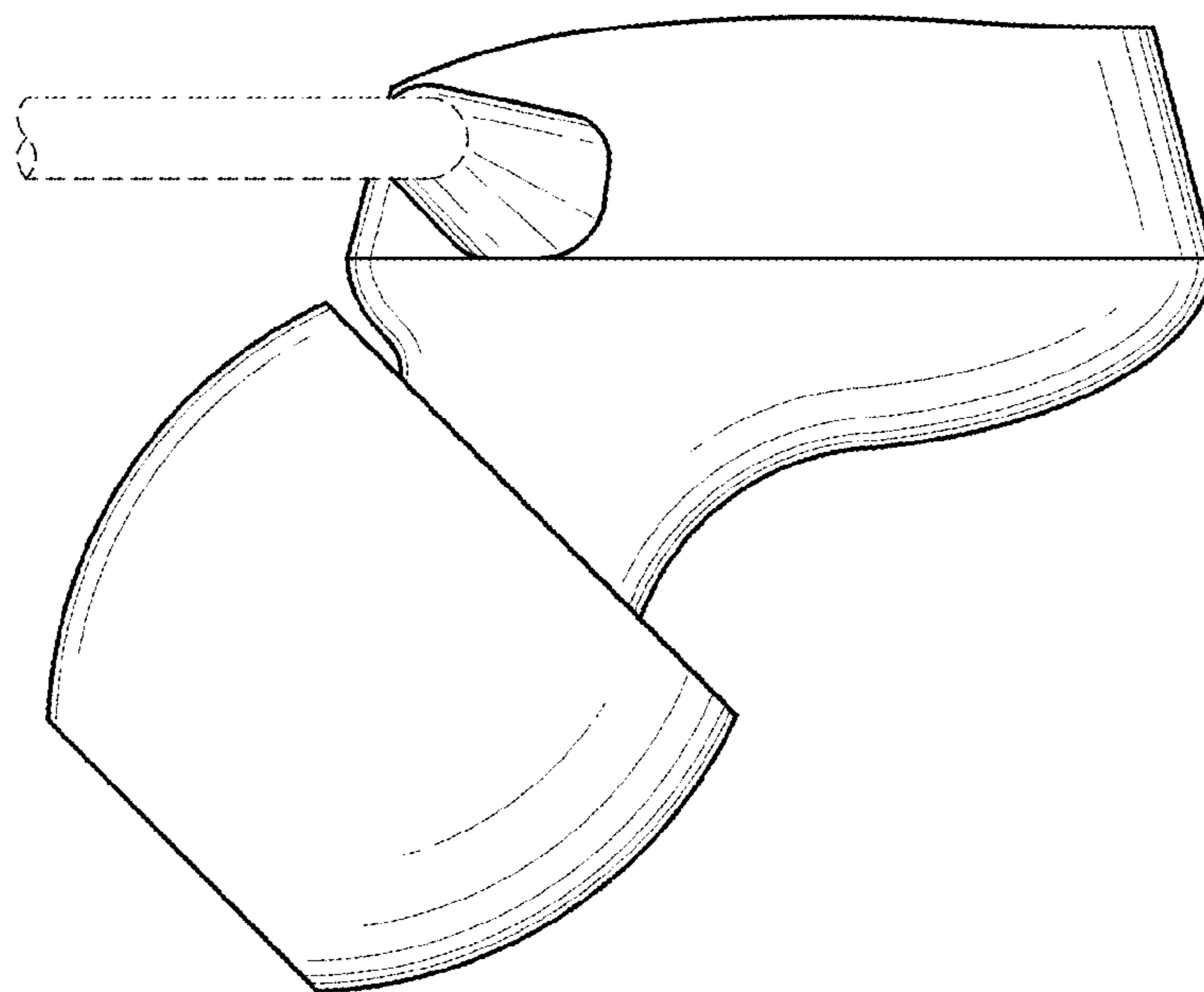


FIG. 13

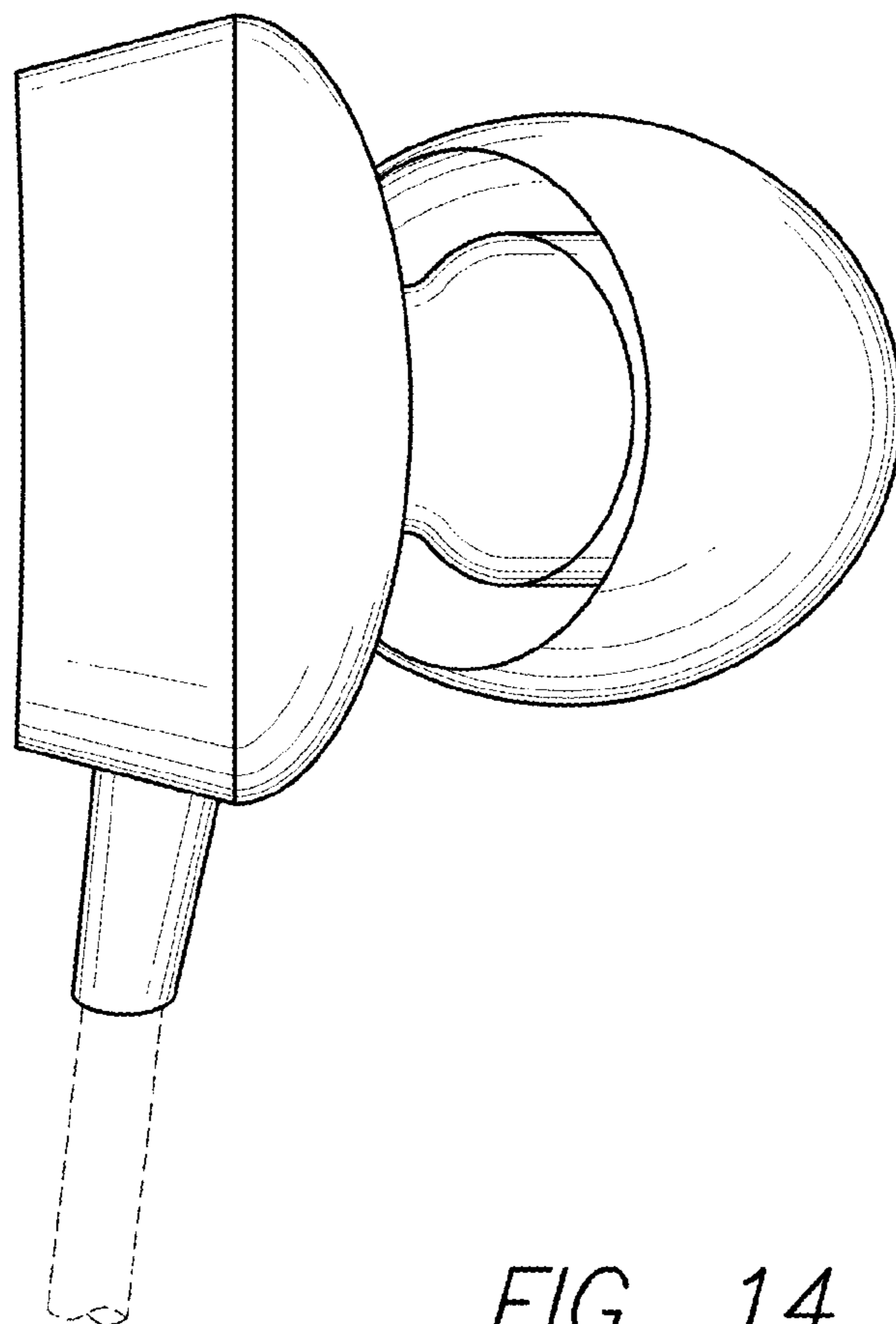


FIG. 14