



US00D718742S

(12) **United States Design Patent**
Warner

(10) **Patent No.:** **US D718,742 S**
(45) **Date of Patent:** **** Dec. 2, 2014**

- (54) **MEDIA PLAYER HOLDER**
- (75) Inventor: **Scott K. Warner**, Lehi, UT (US)
- (73) Assignee: **Semco Plastic Company**, St. Louis, MO (US)
- (**) Term: **14 Years**
- (21) Appl. No.: **29/416,495**
- (22) Filed: **Mar. 22, 2012**
- (51) **LOC (10) Cl.** **14-03**
- (52) **U.S. Cl.**
USPC **D14/217**
- (58) **Field of Classification Search**
USPC D13/107, 108, 163, 164; D14/162, D14/167-169, 171, 172, 175, 188, 194, D14/196-198, 203.1-203.8, 204, 207, D14/210-217, 221, 222, 257, 258, 265, 434, D14/447, 496, 498-511; 84/625, 660, 697; 181/143, 144, 145, 147, 148, 153, 157, 181/198, 199; 360/99.02, 99.07; 369/75.11, 369/77.11, 77.21; 381/119, 300, 301, 306, 381/332, 333, 336, 345, 361-364; 455/344, 455/350; 720/601, 612, 619, 649, 655
See application file for complete search history.

- D647,881 S * 11/2011 Warner D14/217
- D648,325 S * 11/2011 Akana et al. D14/217
- D650,329 S * 12/2011 Budike, Jr. D13/108
- D666,174 S * 8/2012 Du et al. D14/217
- D680,066 S * 4/2013 Kinoshita et al. D13/107

OTHER PUBLICATIONS

eForCity Mini Universal Phone Stand Holder, announced Oct. 2011, [online], [site visited Feb. 4, 2014]. Available from Internet, <URL: <http://www.sears.com>>.*

* cited by examiner

Primary Examiner — Stella Reid
Assistant Examiner — Janice Lim
(74) *Attorney, Agent, or Firm* — Workman Nydegger

(57) **CLAIM**
The ornamental design for a media player holder, as shown and described.

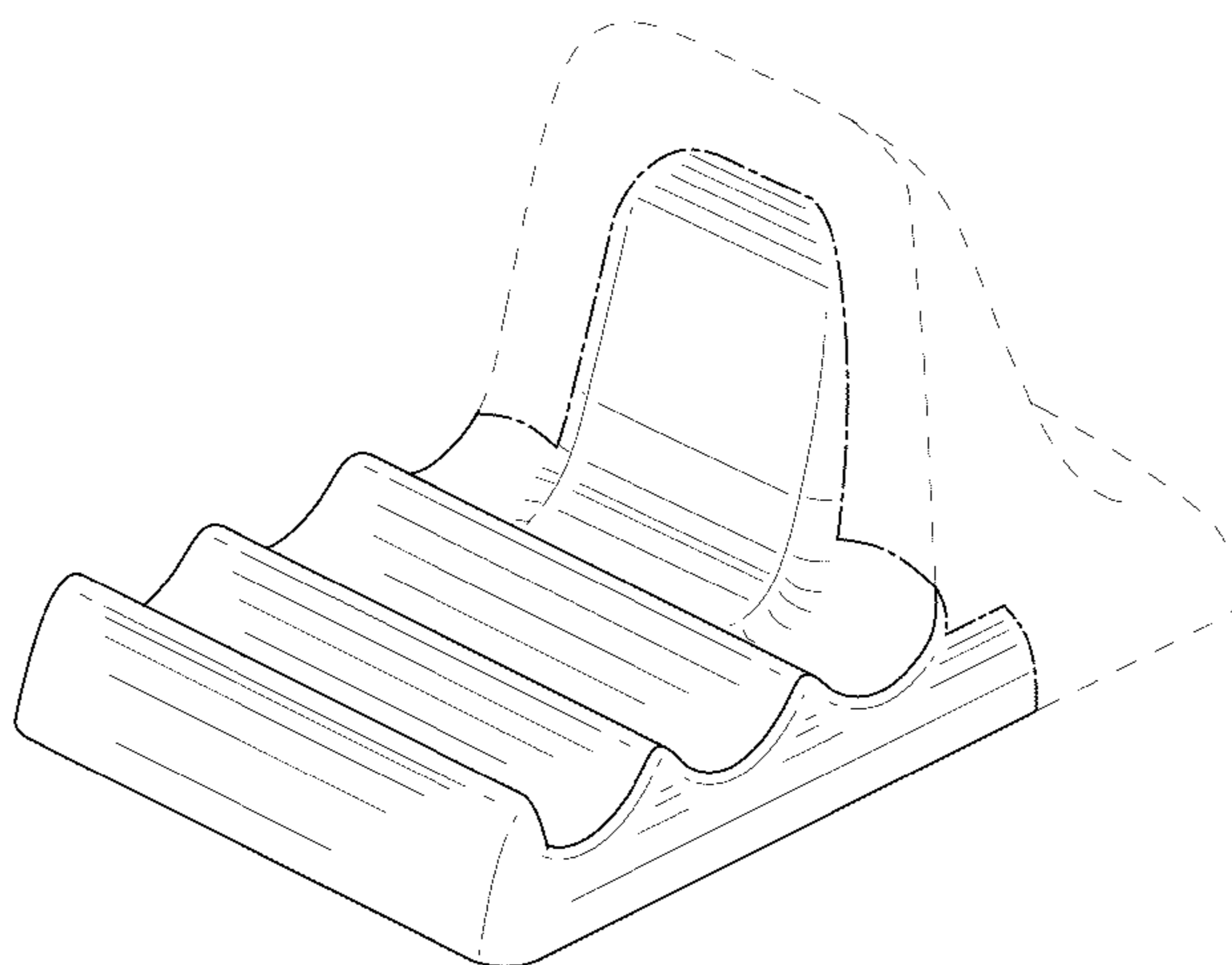
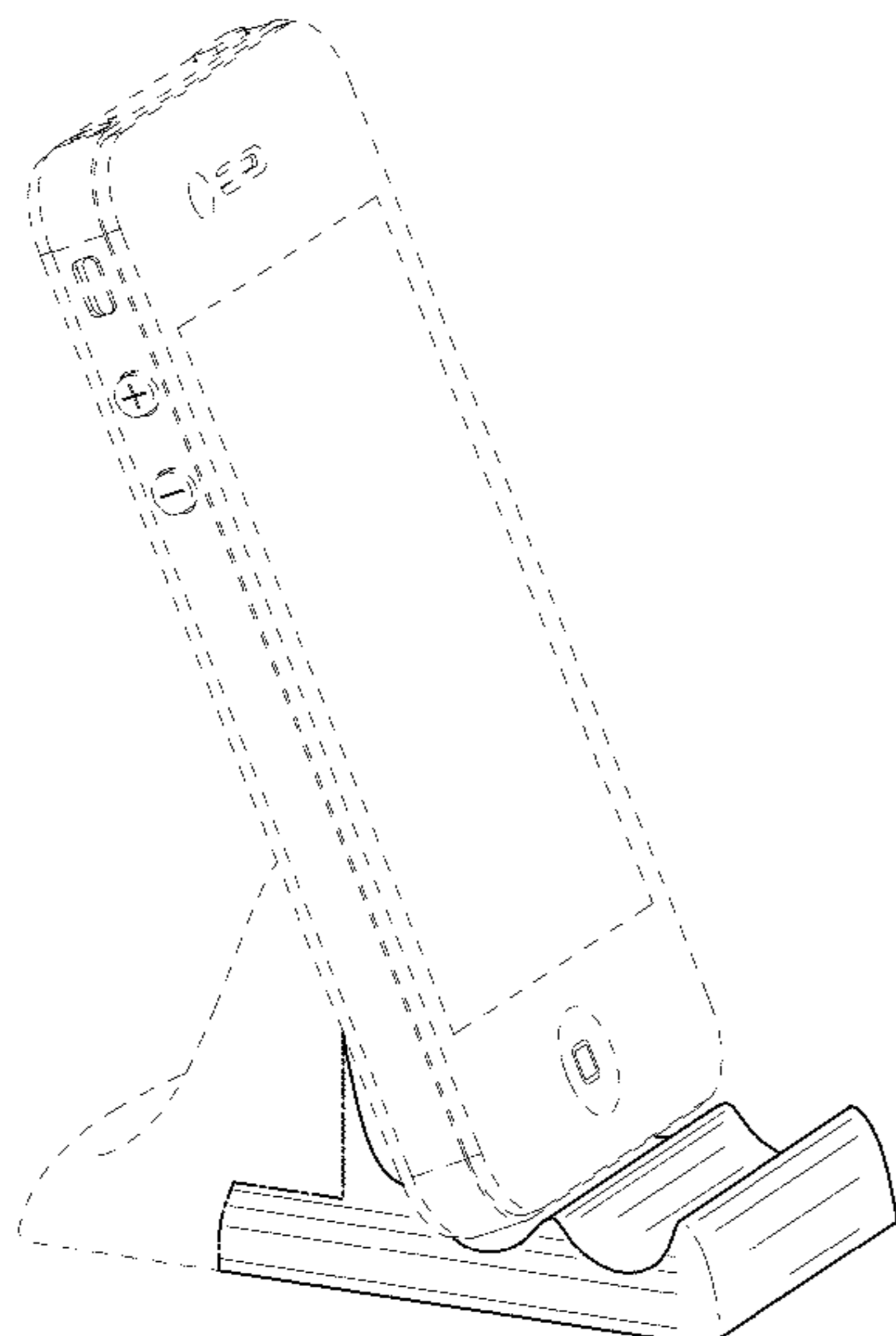
DESCRIPTION

FIG. 1 is a rear perspective view of a media player holder showing my new design in environmental use;
FIG. 2 is a front perspective view of the media player holder showing my new design in environmental use;
FIG. 3 is a front perspective view thereof;
FIG. 4 is a front elevational view thereof;
FIG. 5 is a rear elevational view thereof;
FIG. 6 is a left-side elevational view thereof, the right side being a mirror image; and,
FIG. 7 is a top plan view thereof.
The broken lines portions of FIGS. 1-7 are included to show unclaimed subject matter only and form no part of the claimed design.
The dot-dash broken line portions of FIGS. 1-4, 6, and 7 define the bounds of the claimed design and form no part thereof.

1 Claim, 4 Drawing Sheets

(56) **References Cited**
U.S. PATENT DOCUMENTS

- 1,659,509 A * 2/1928 Ashbrook 211/50
- 1,756,649 A * 4/1930 Madden et al. 242/153
- 1,987,232 A * 1/1935 Gilbert 68/228
- 2,271,512 A * 2/1942 Griffiths 68/220
- 4,102,160 A * 7/1978 Herbst 68/229
- D460,971 S * 7/2002 Sica et al. D14/434
- D469,439 S * 1/2003 Bradley D14/434
- D523,809 S * 6/2006 Roth et al. D13/108
- 7,284,300 B1 * 10/2007 Bruns 16/430
- D588,139 S * 3/2009 Fujino et al. D14/447
- D623,132 S * 9/2010 Yano D13/108



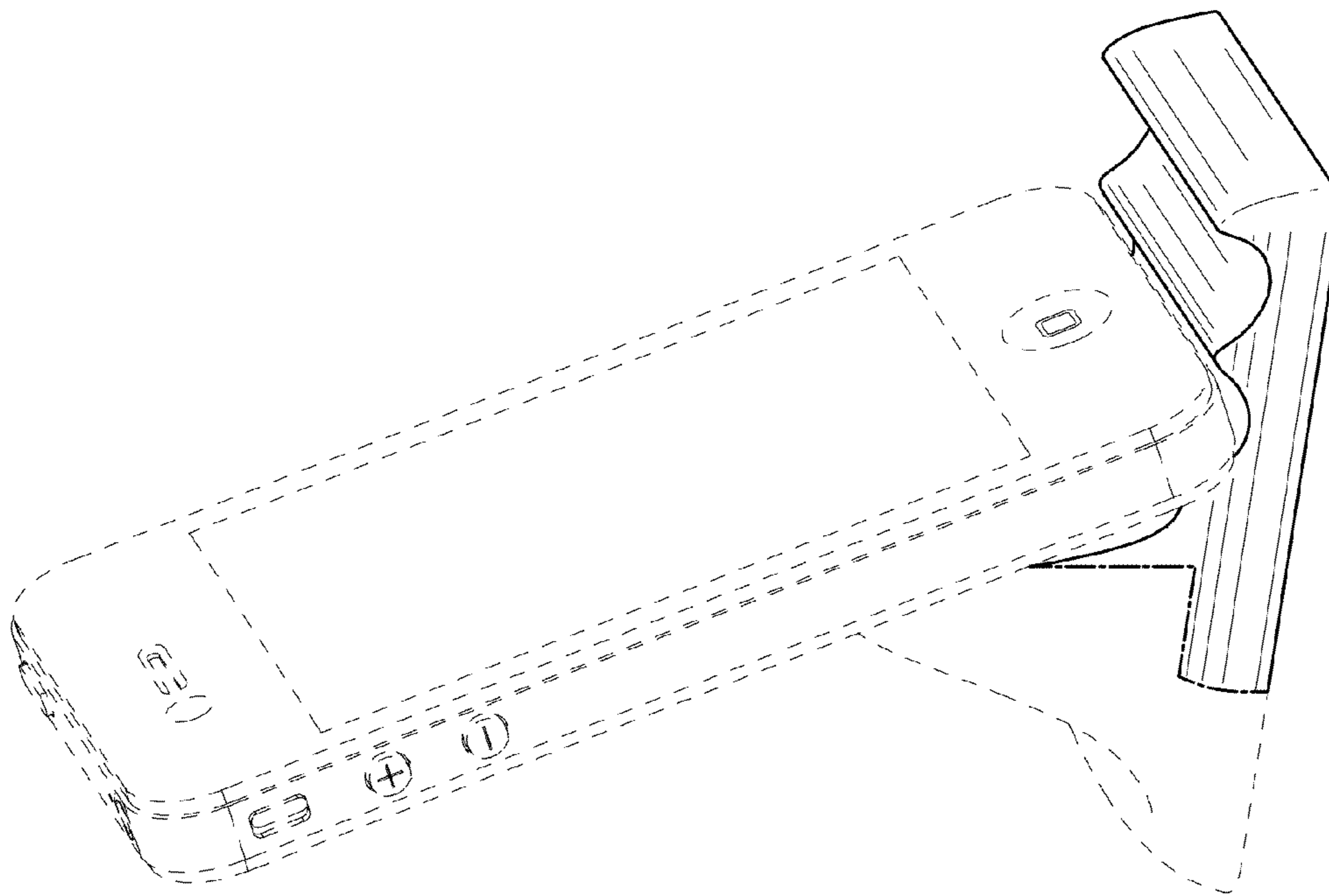


Fig. 2

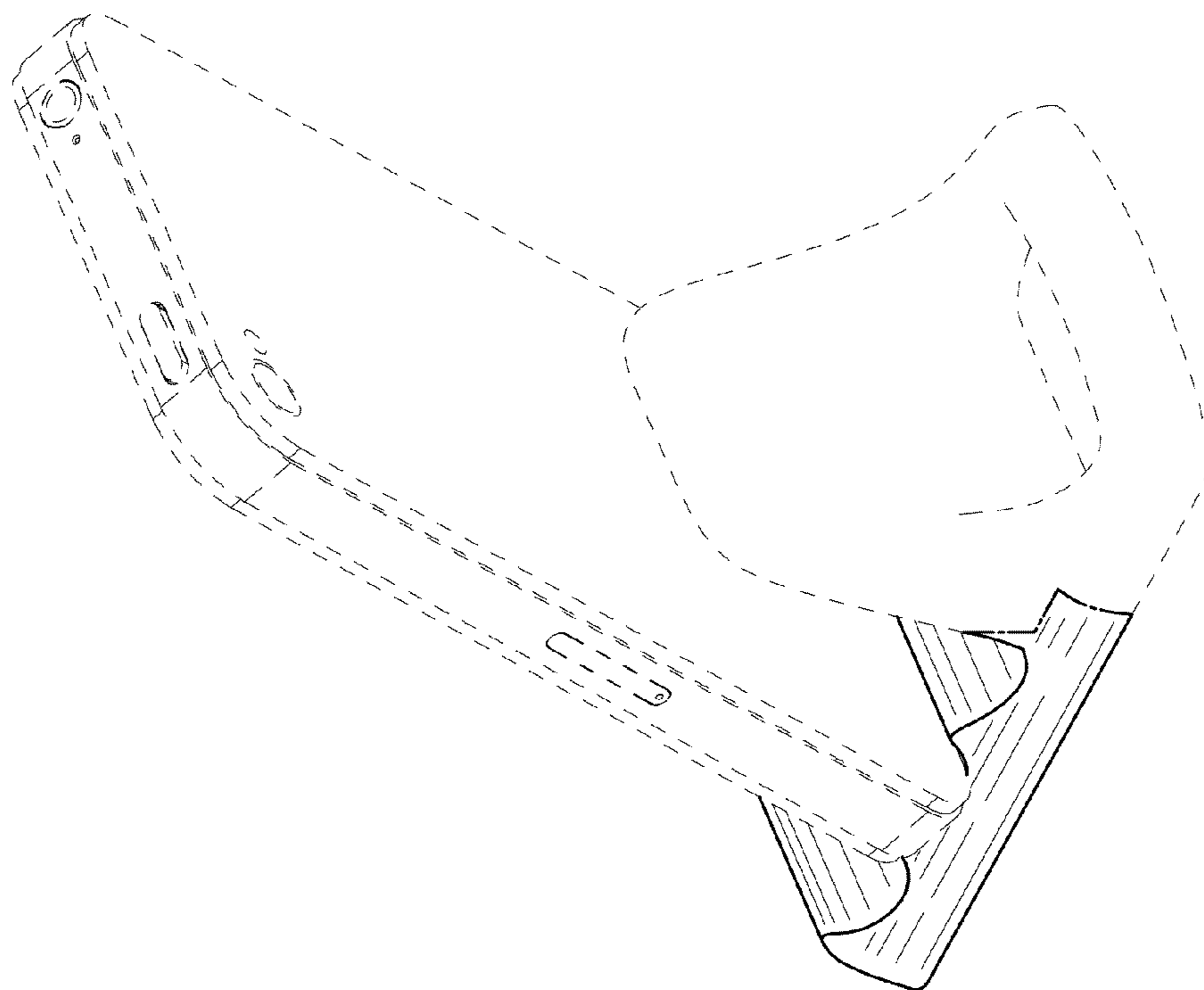


Fig. 1

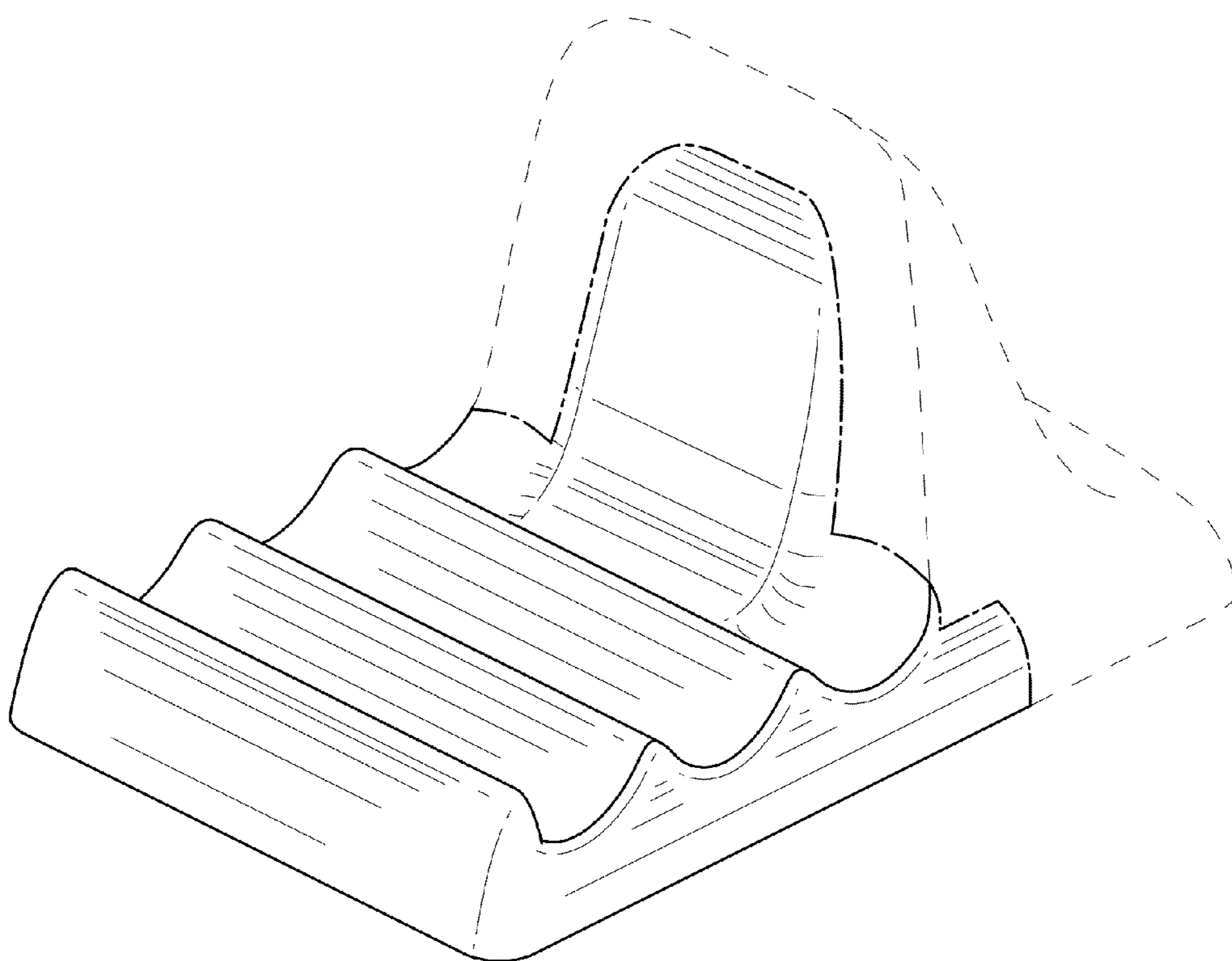


Fig. 3

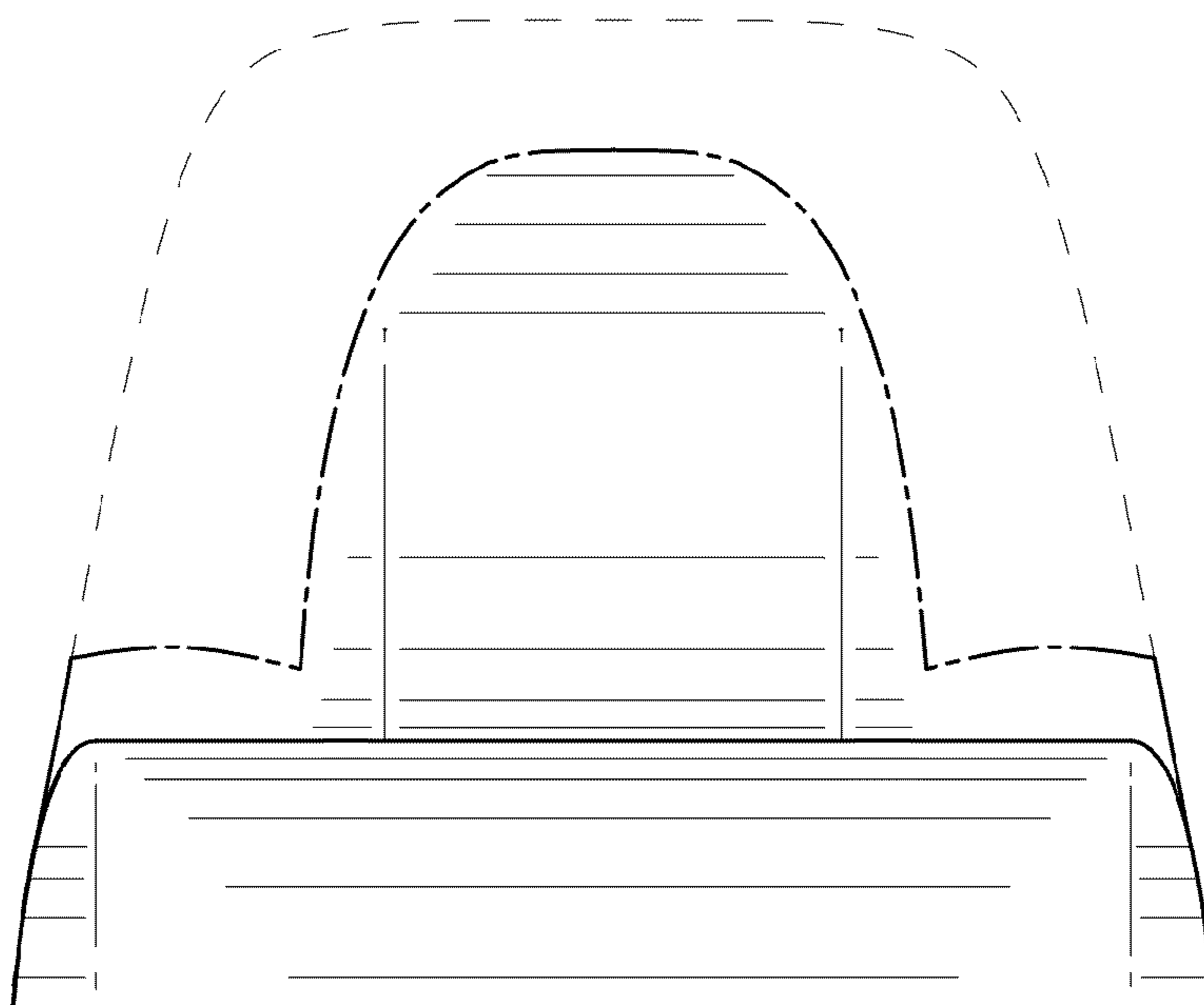


Fig. 4

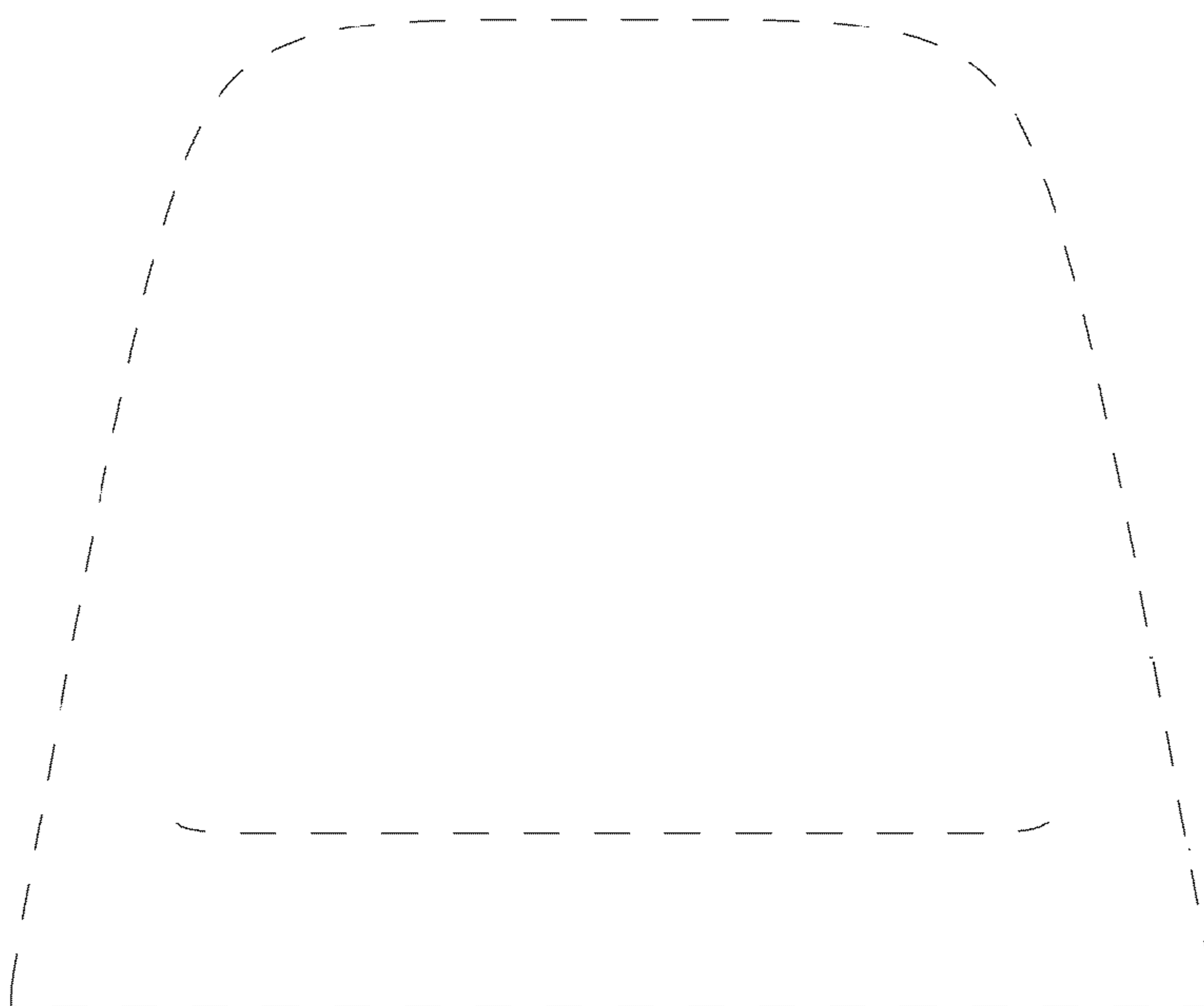


Fig. 5

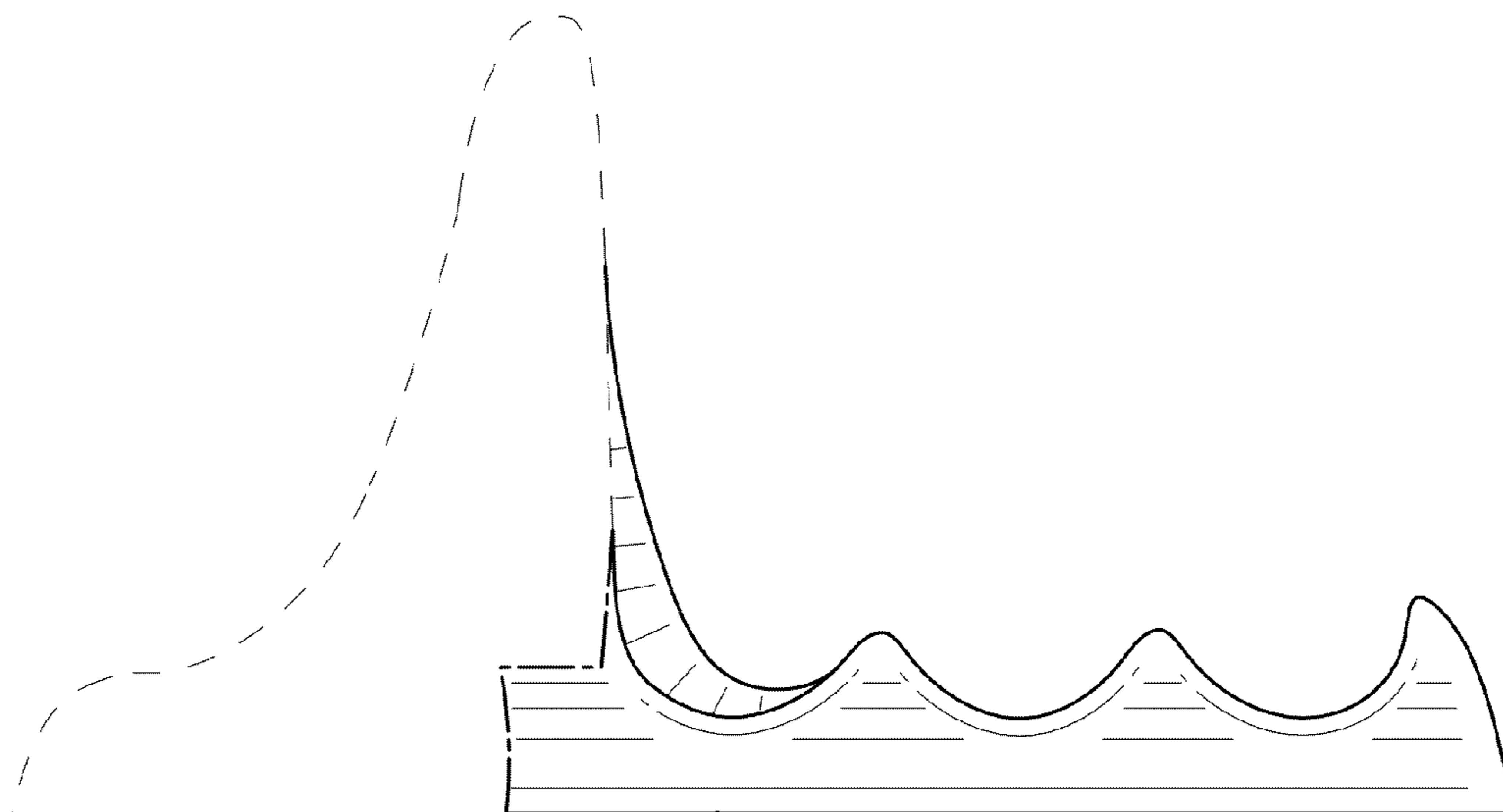


Fig. 6

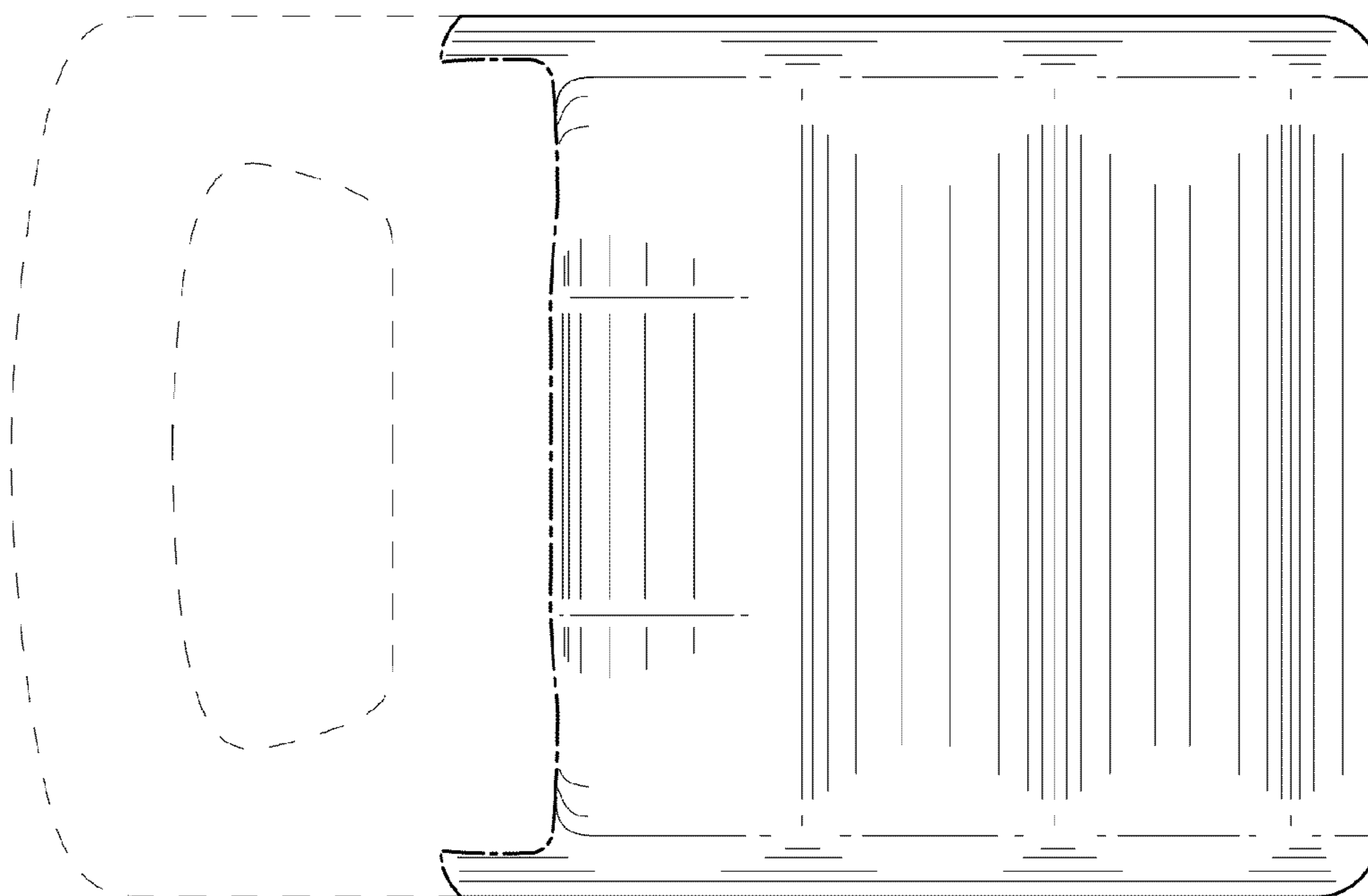


Fig. 7