



US00D718741S

(12) **United States Design Patent**
Lui et al.

(10) **Patent No.:** **US D718,741 S**

(45) **Date of Patent:** **** Dec. 2, 2014**

(54) **PORTABLE WATERPROOF WIRELESS SPEAKER**

(71) Applicants: **Wing Kit Lui**, Kowloon (HK); **Hui Wai Ho**, Kowloon (HK)

(72) Inventors: **Wing Kit Lui**, Kowloon (HK); **Hui Wai Ho**, Kowloon (HK)

(73) Assignee: **Eric Beare Associates Limited**, Kowloon (HK)

(**) Term: **14 Years**

(21) Appl. No.: **29/454,105**

(22) Filed: **May 7, 2013**

(51) **LOC (10) Cl.** **14-03**

(52) **U.S. Cl.**
USPC **D14/216**

(58) **Field of Classification Search**

CPC H04M 1/03; H04M 1/035; H04R 1/02; H04R 1/06; H04R 1/021; H04R 1/025; H04R 1/026; H04R 1/105; H04R 1/323; H04R 1/345; H04R 1/403; H04R 1/2803; H04R 1/2834; H04R 5/02; H04R 7/20; H04R 9/06; H04R 9/025; H04R 2201/021; H04R 2400/07; H04R 2499/11; H04R 2499/13; H04R 2499/15; G06F 1/1688; H04N 5/642; H04N 21/4852; H04S 3/00; H04S 7/30; B60R 11/0217
USPC D14/167, 168, 170-172, 188, 194-196, D14/204, 207, 209.1, 210-216, 219, 221, D14/222, 224, 496; 181/143, 144, 147, 148, 181/150, 153, 157, 198, 199; 381/300-303, 381/306, 332, 333, 336, 345, 361-364, 381/386-388; 369/6-12

See application file for complete search history.

(56) **References Cited**

U.S. PATENT DOCUMENTS

D469,421	S	*	1/2003	Stickles et al.	D14/204
D491,167	S	*	6/2004	Yokoyama	D14/215
D537,071	S	*	2/2007	Chen	D14/215
D540,299	S	*	4/2007	Tragatschnig	D14/188
D542,776	S	*	5/2007	Dayan	D14/215
D560,205	S	*	1/2008	Bhavnani	D14/171
D560,684	S	*	1/2008	Skurdal	D14/496
D590,373	S	*	4/2009	Brickstad	D14/215
D622,699	S	*	8/2010	Jiang et al.	D14/209.1
D655,272	S	*	3/2012	Kawase et al.	D14/194

* cited by examiner

Primary Examiner — Keli L Hill

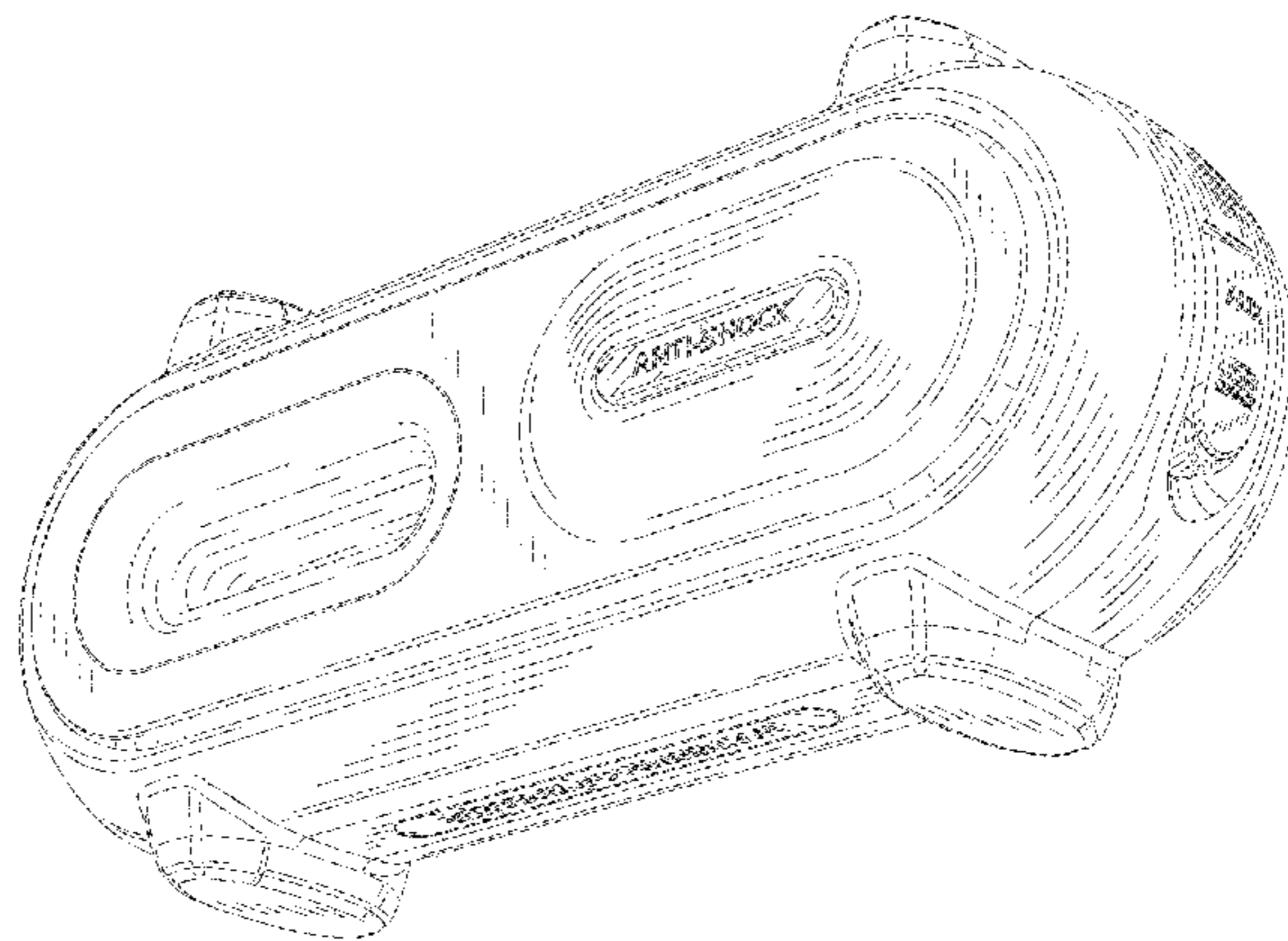
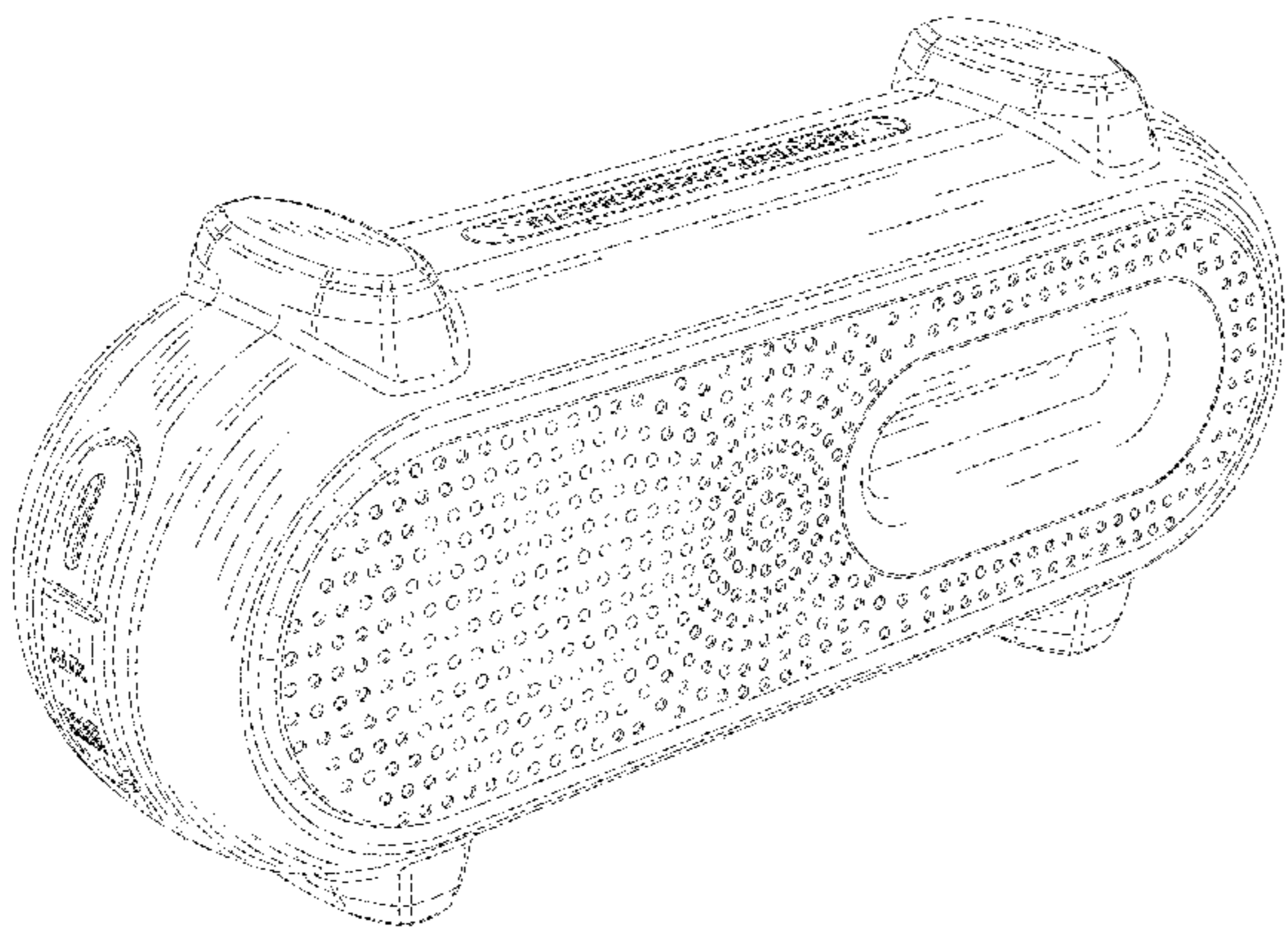
(57) **CLAIM**

The ornamental design for a portable waterproof wireless speaker, as shown and described.

DESCRIPTION

FIG. 1 is a front elevational view of a portable waterproof wireless speaker showing my new design; FIG. 2 is a rear elevational view thereof; FIG. 3 is a left side view thereof; FIG. 4 is a right side view thereof; FIG. 5 is a top plan view thereof; FIG. 6 is a bottom plan view thereof; FIG. 7 is a perspective view thereof; and, FIG. 8 is another perspective view thereof.

1 Claim, 5 Drawing Sheets



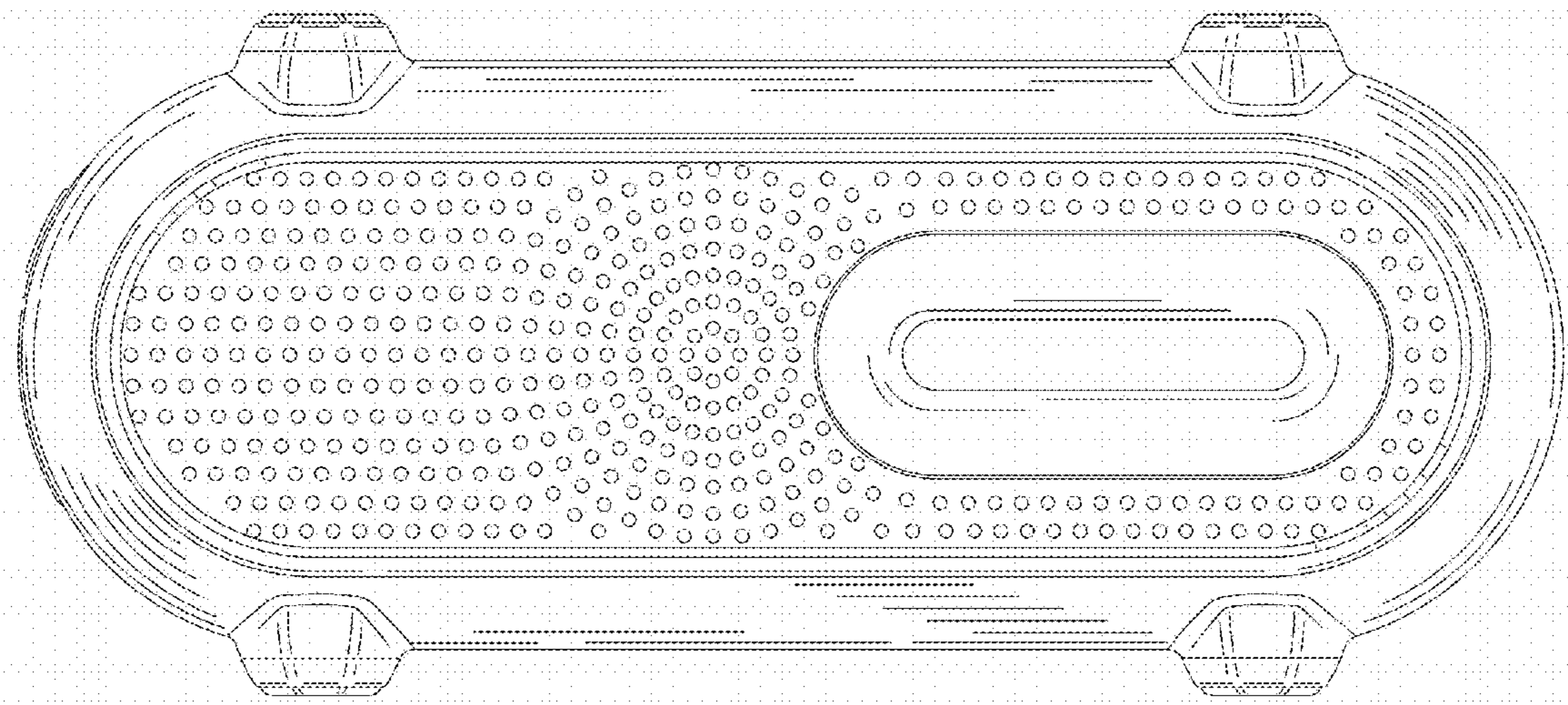


FIG. 1

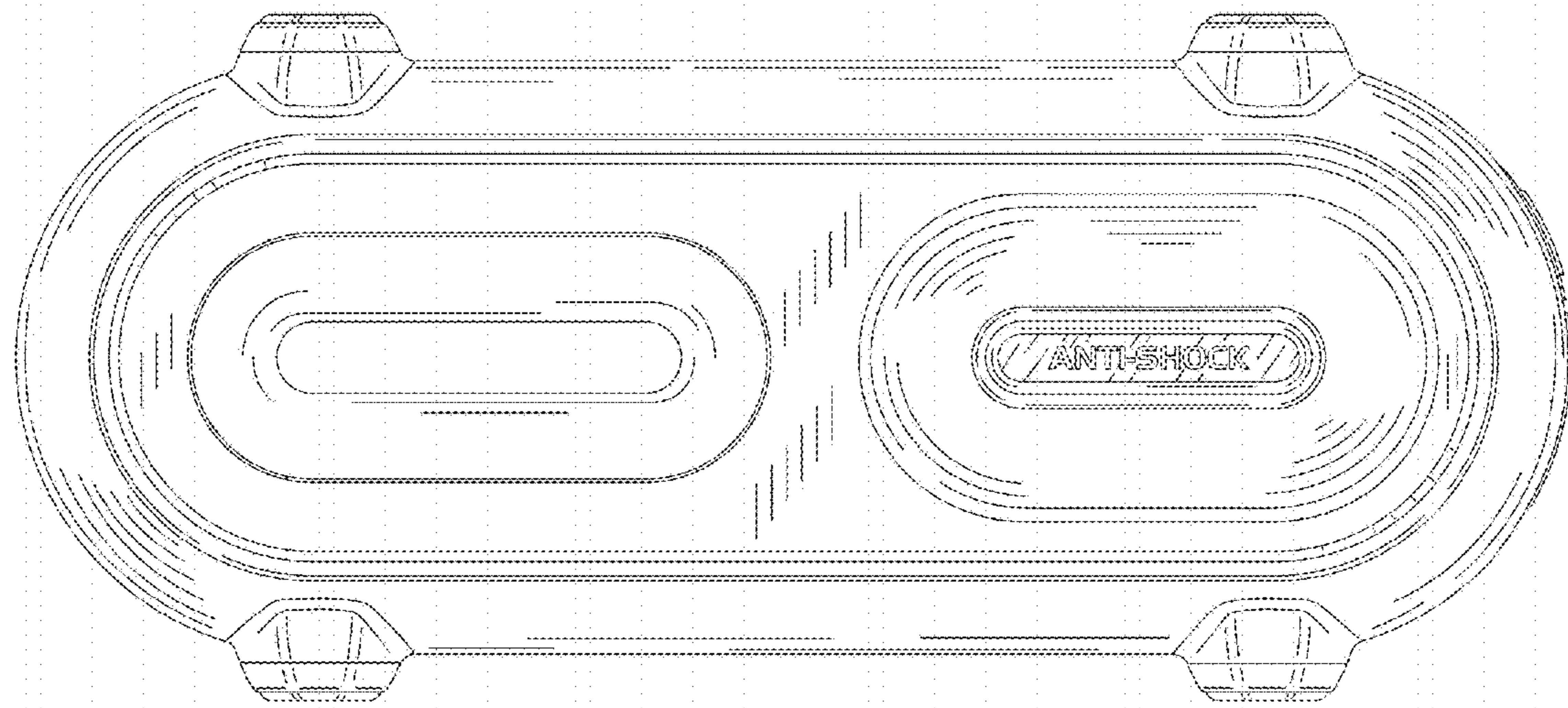


FIG. 2

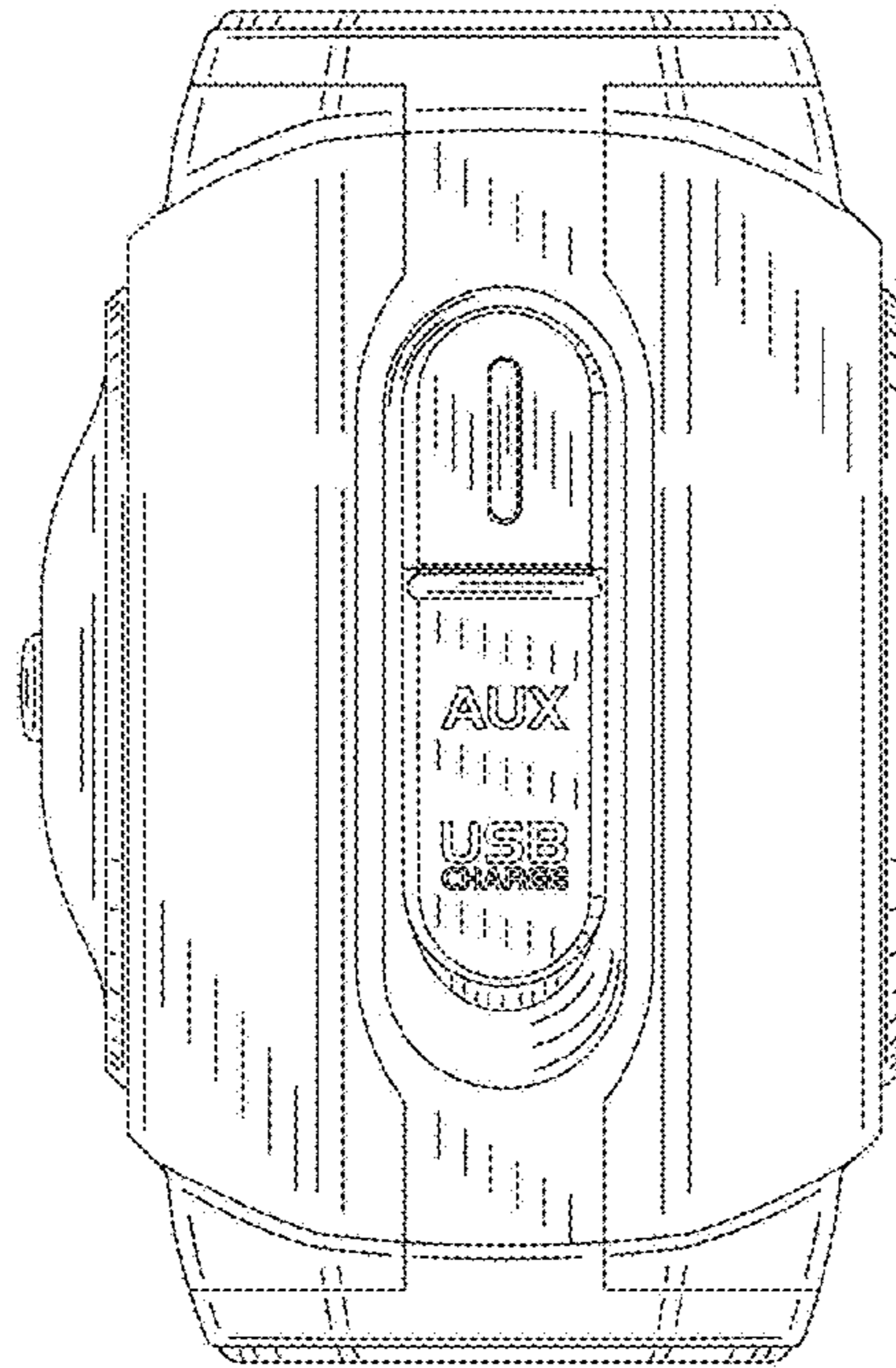


FIG. 3

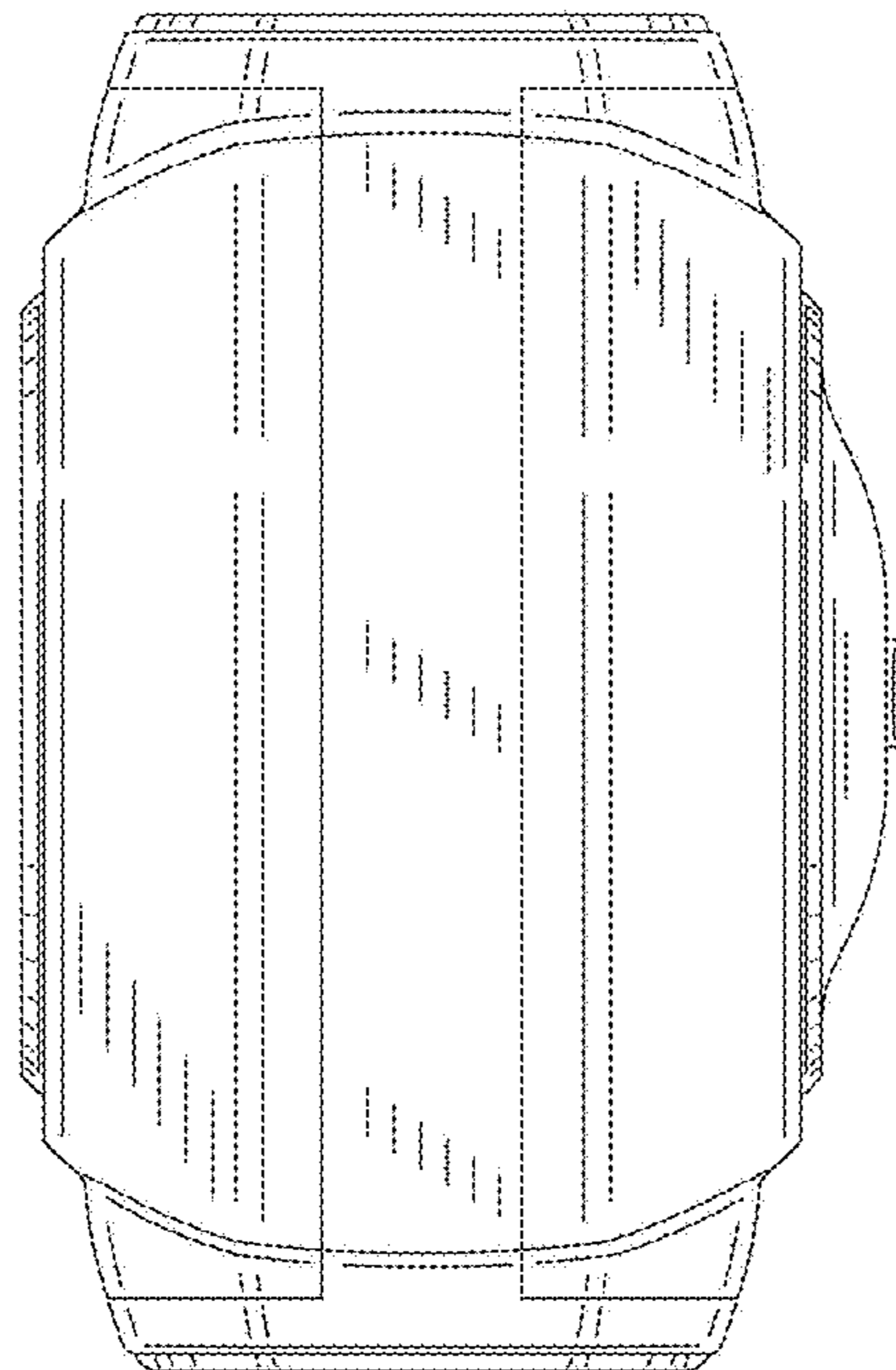


FIG. 4

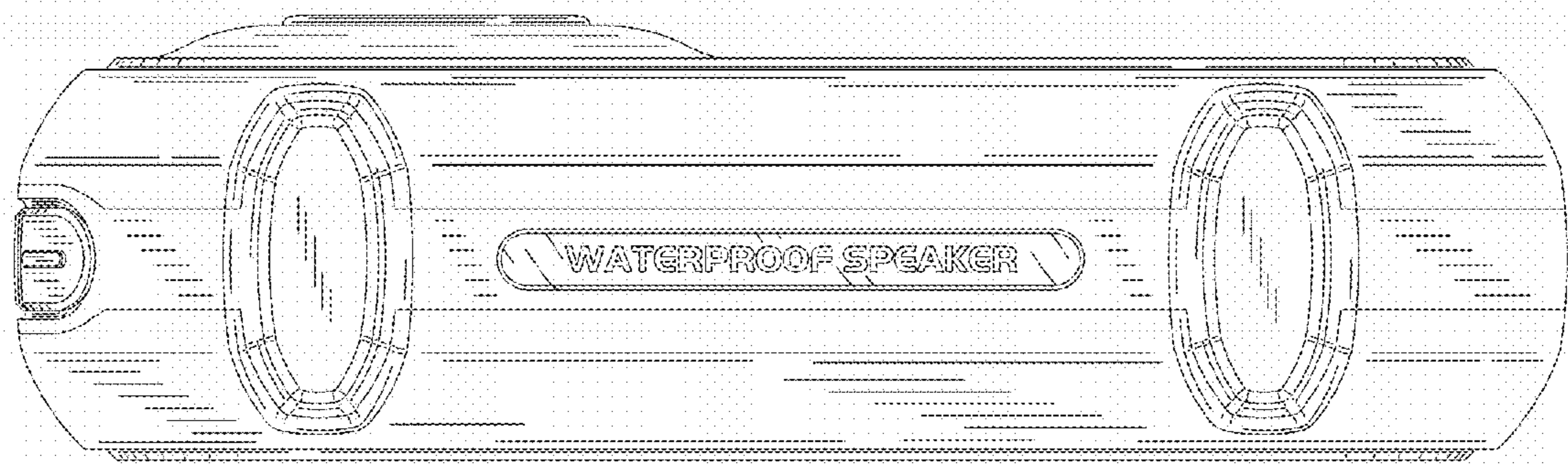


FIG. 5

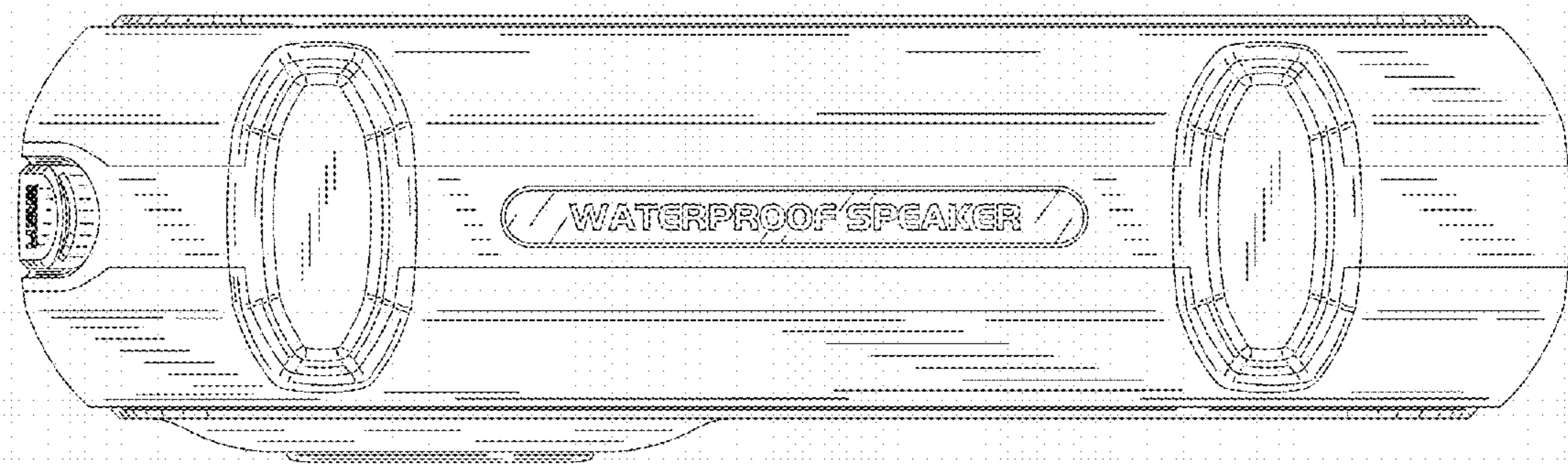


FIG. 6

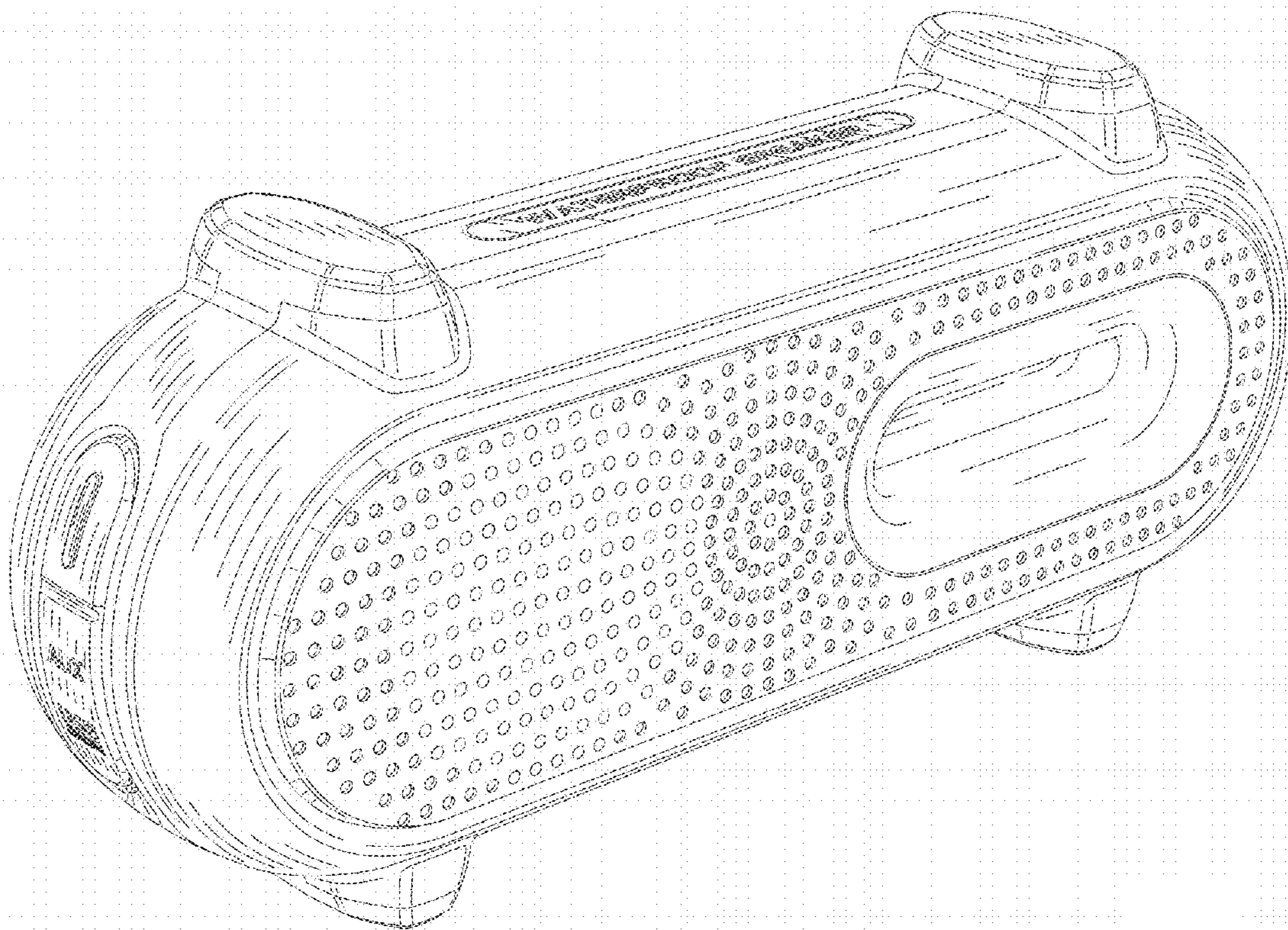


FIG. 7

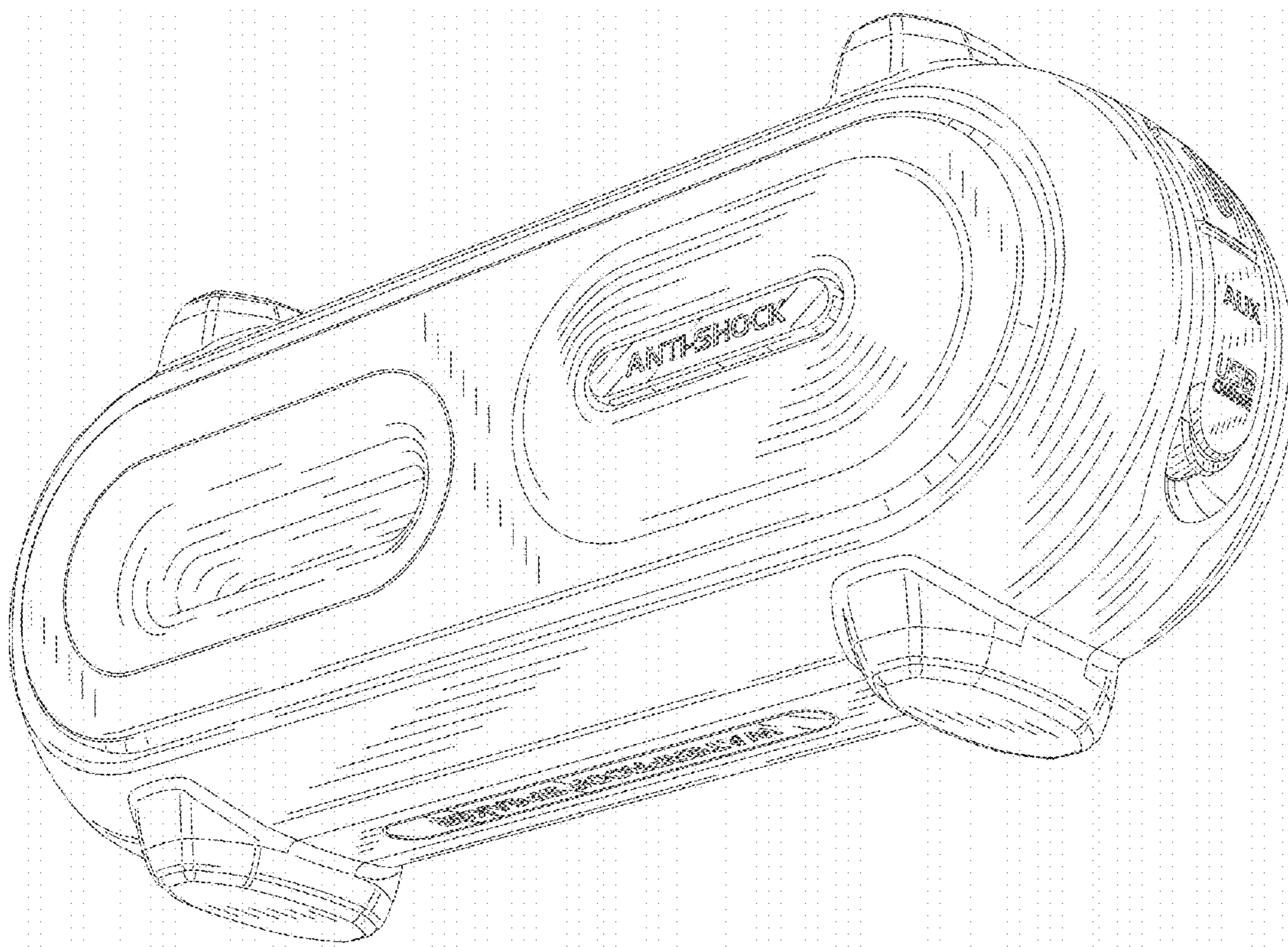


FIG. 8