



US00D718732S

(12) **United States Design Patent**
Lee et al.

(10) **Patent No.:** **US D718,732 S**
(45) **Date of Patent:** **** *Dec. 2, 2014**

(54) **MOBILE PHONE**

(71) Applicant: **Samsung Display Co., Ltd.**, Yongin-si (KR)

(72) Inventors: **Yong-Joon Lee**, Yongin (KR);
Woo-Jong Lee, Yongin (KR)

(73) Assignee: **Samsung Display Co., Ltd.**, Yongin-si (KR)

(*) Notice: This patent is subject to a terminal disclaimer.

(**) Term: **14 Years**

(21) Appl. No.: **29/445,512**

(22) Filed: **Feb. 12, 2013**

(30) **Foreign Application Priority Data**

Nov. 9, 2012 (KR) 30-2012-0053719

(51) **LOC (10) Cl.** **14-03**

(52) **U.S. Cl.**
USPC **D14/138 G**

(58) **Field of Classification Search**
CPC H04M 1/0202; H04M 1/0235; H04M 1/0237; H04M 1/0239; H04M 2250/52
USPC D14/138 R, 138 AD, 138 AC, 138 C, D14/138 G, 137, 341-347, 247-248; 455/566, 575.1, 575.3, 575.4
See application file for complete search history.

(56) **References Cited**

U.S. PATENT DOCUMENTS

D246,975 S * 1/1978 Hampf D14/191
D247,434 S * 3/1978 Hampf D14/191
D261,366 S * 10/1981 Lam D10/47
D279,565 S * 7/1985 Forbis et al. D14/346

D298,243 S * 10/1988 Watanabe D14/138 AA
D383,795 S 9/1997 Rinicella et al.
D389,194 S 1/1998 Rinicella et al.
5,838,789 A * 11/1998 Mendolia 379/433.13
6,707,764 B2 * 3/2004 Davidson et al. 368/13
6,989,984 B2 * 1/2006 Sutton et al. 361/679.16
D548,714 S * 8/2007 Kim et al. D14/138 AD
D571,765 S * 6/2008 Hsu D14/138 AD
D582,878 S * 12/2008 Kimura D14/138 AD
D595,254 S * 6/2009 Roberts D14/138 AA

(Continued)

OTHER PUBLICATIONS

Sony Ericsson W580, announced Mar. 2007, [online], [retrieved on Apr. 3, 2007]. Retrieved from Internet, <URL: <http://www.gsmarena.com>>.*

(Continued)

Primary Examiner — Bridget L Eland
(74) *Attorney, Agent, or Firm* — Christie, Parker & Hale, LLP

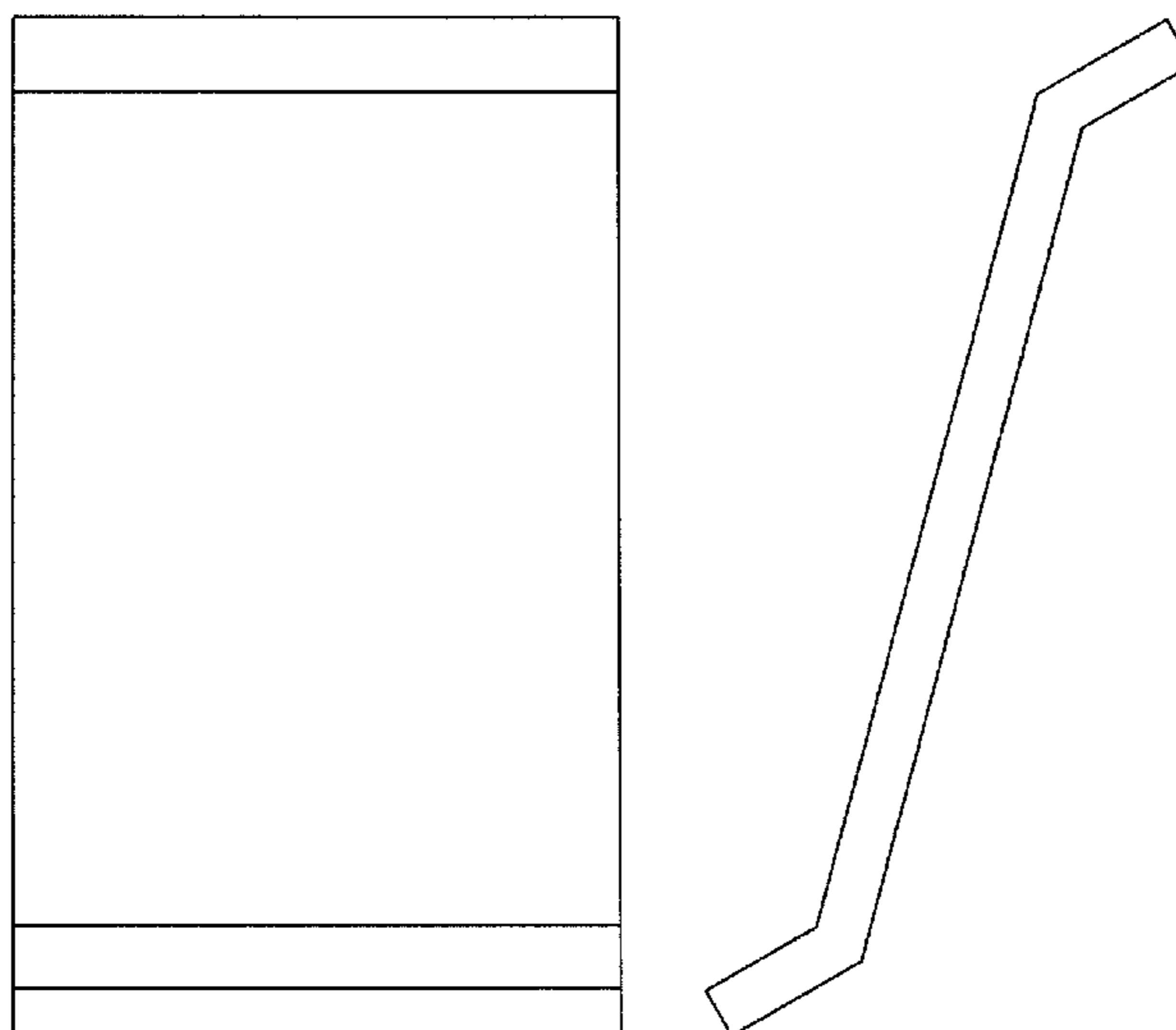
(57) **CLAIM**

The ornamental design for a mobile phone, as shown and described.

DESCRIPTION

FIG. 1 is a front perspective view of the mobile phone; FIG. 2 is a front view thereof; FIG. 3 is a rear view thereof; FIG. 4 is a left side view thereof; FIG. 5 is a right side view thereof; FIG. 6 is a top view thereof; FIG. 7 is a bottom view thereof; and, FIG. 8 is a front perspective view thereof, shown in an in-use environment.
The broken lines in the drawings are included for the purpose of illustrating portions of the mobile phone that form no part of the claimed design.

1 Claim, 6 Drawing Sheets



(56)

References Cited

U.S. PATENT DOCUMENTS

D597,059 S * 7/2009 Haspil et al. D14/147
D599,770 S * 9/2009 Salmi et al. D14/138 AD
D600,230 S * 9/2009 Salmi et al. D14/138 AD
D600,689 S * 9/2009 Jen D14/341
D608,332 S * 1/2010 Huang et al. D14/138 G
D628,546 S * 12/2010 Lee D14/138 G
D672,326 S * 12/2012 Mazzeo D14/138 R
2011/0063235 A1 * 3/2011 Yu et al. 345/173
2011/0134144 A1 6/2011 Moriwaki
2014/0004906 A1 * 1/2014 Chi et al. 455/566

OTHER PUBLICATIONS

Cho, H.S., LG Phillips LCD Unveils World's First Flexible Color
A4-Size E-Paper, May 15, 2007, [http://www.ddaily.co.kr/news/
news_view.php?uid=24196](http://www.ddaily.co.kr/news/news_view.php?uid=24196); 1 page.
Clements, Isaac Perry; How Fabric PCs Will Work, How Stuff Works,
[http://www.howstuffworks.com/enlarge-image.
htm?terms=Electronic+Paper&page=0](http://www.howstuffworks.com/enlarge-image.htm?terms=Electronic+Paper&page=0), 2 pages.

* cited by examiner

FIG. 1

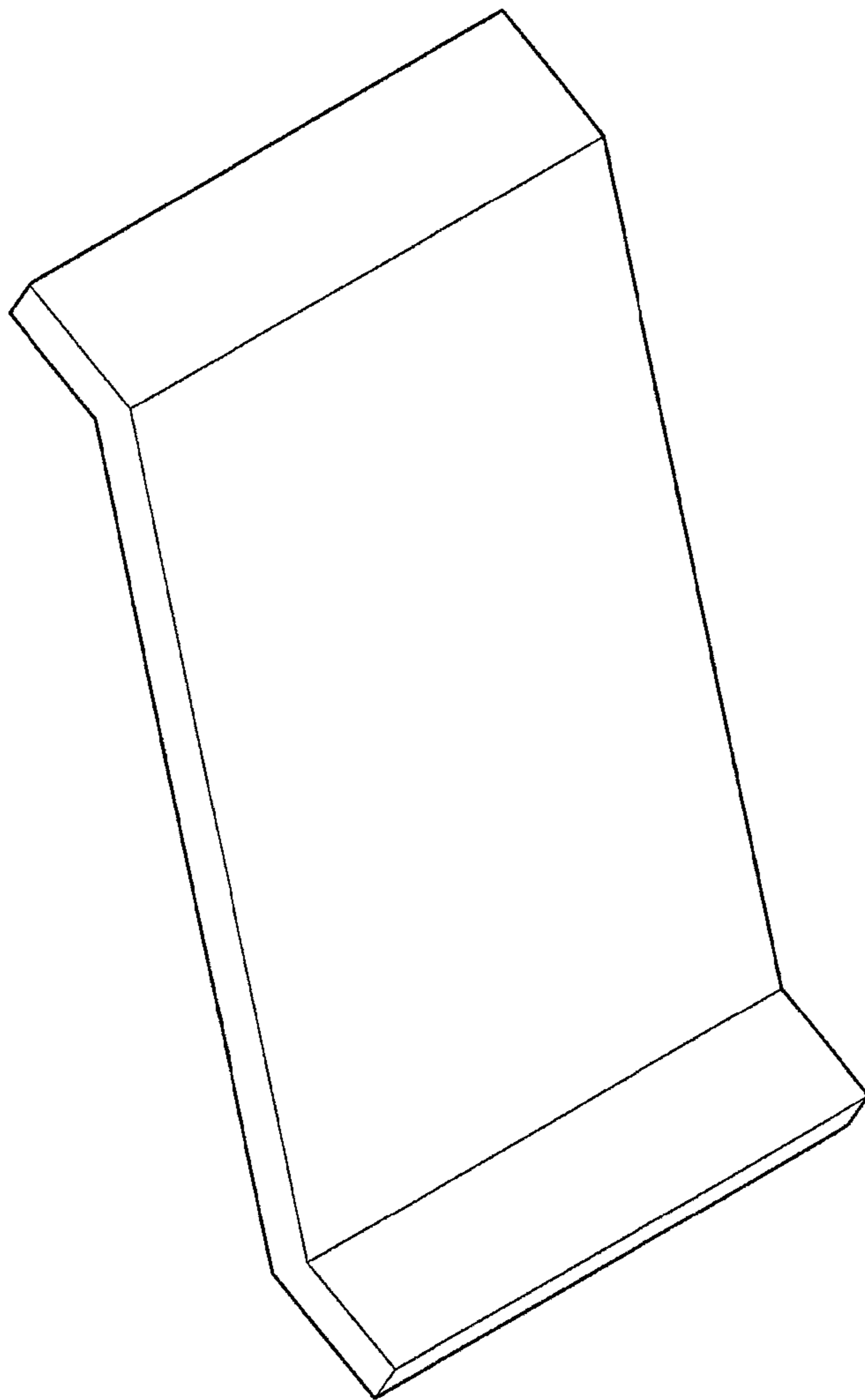


FIG. 2

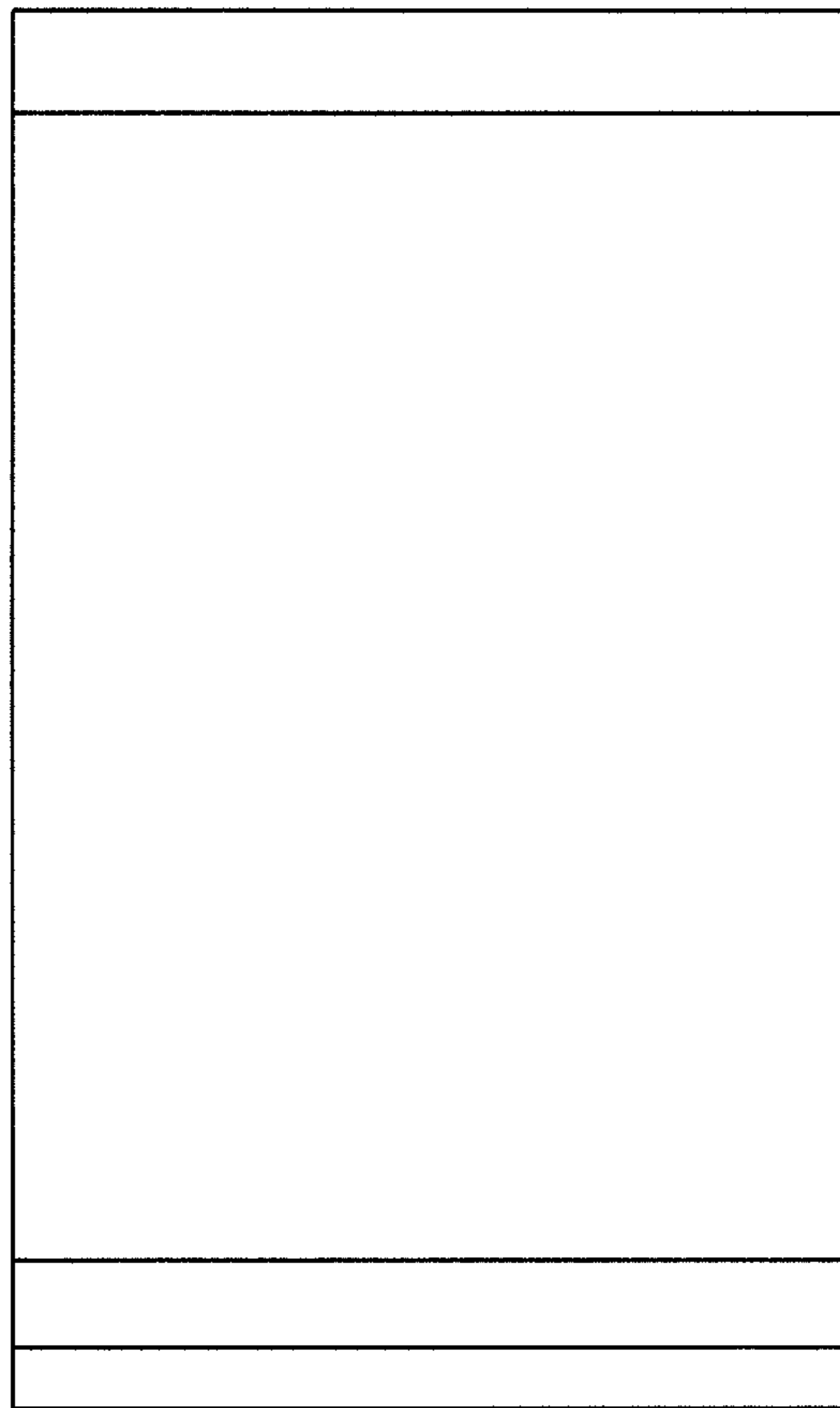


FIG. 3



FIG. 4

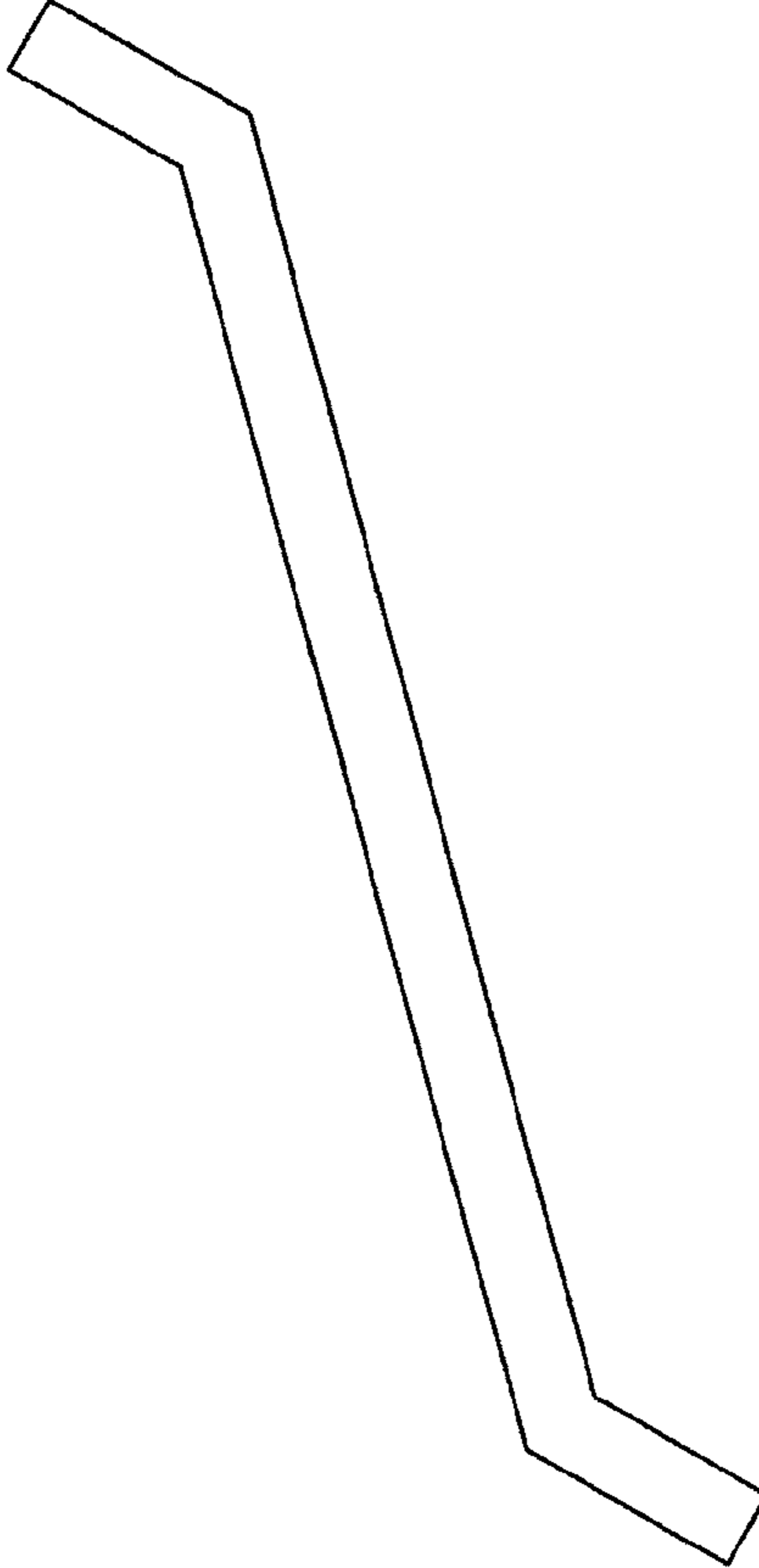


FIG. 5

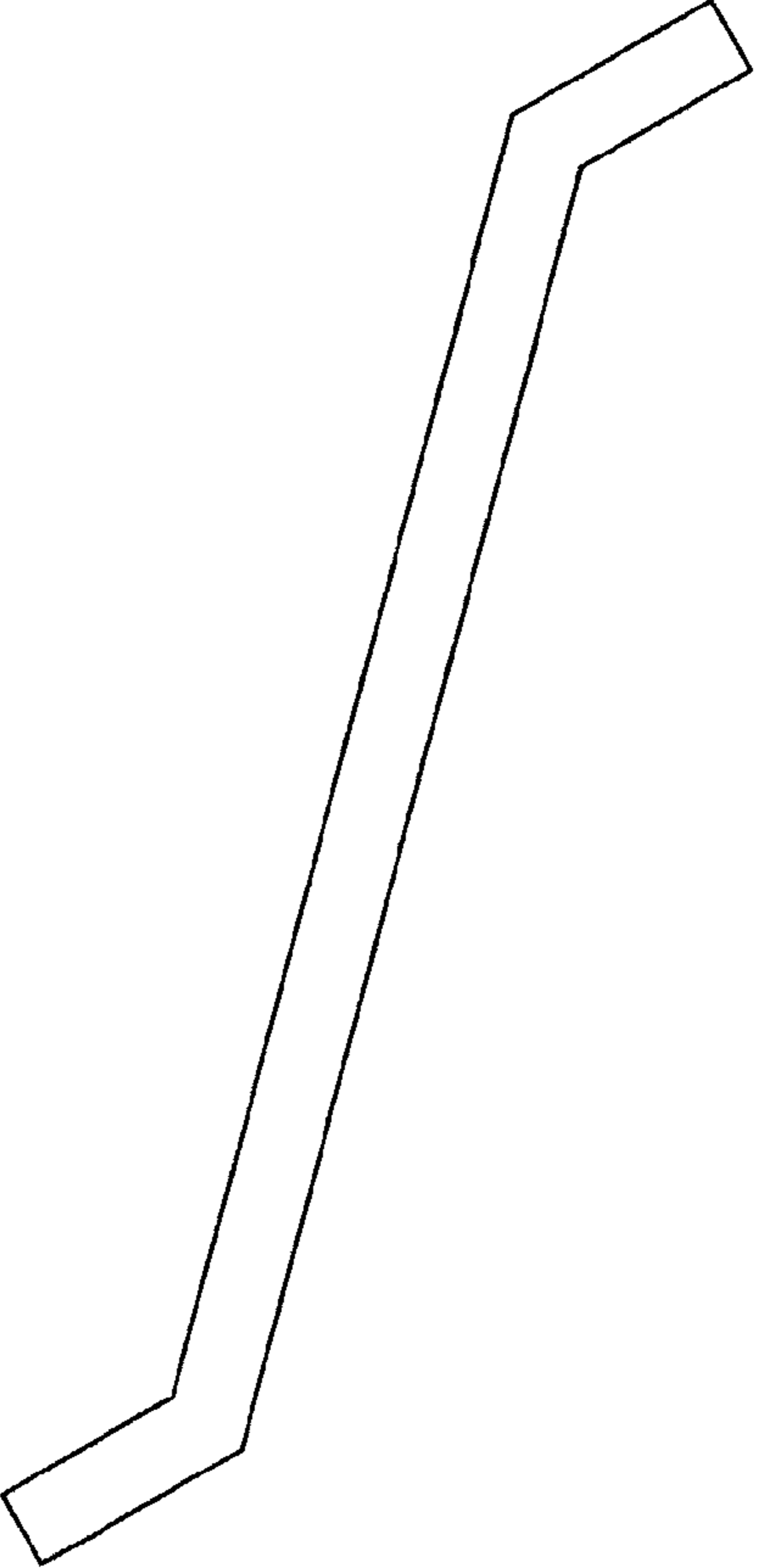


FIG. 6

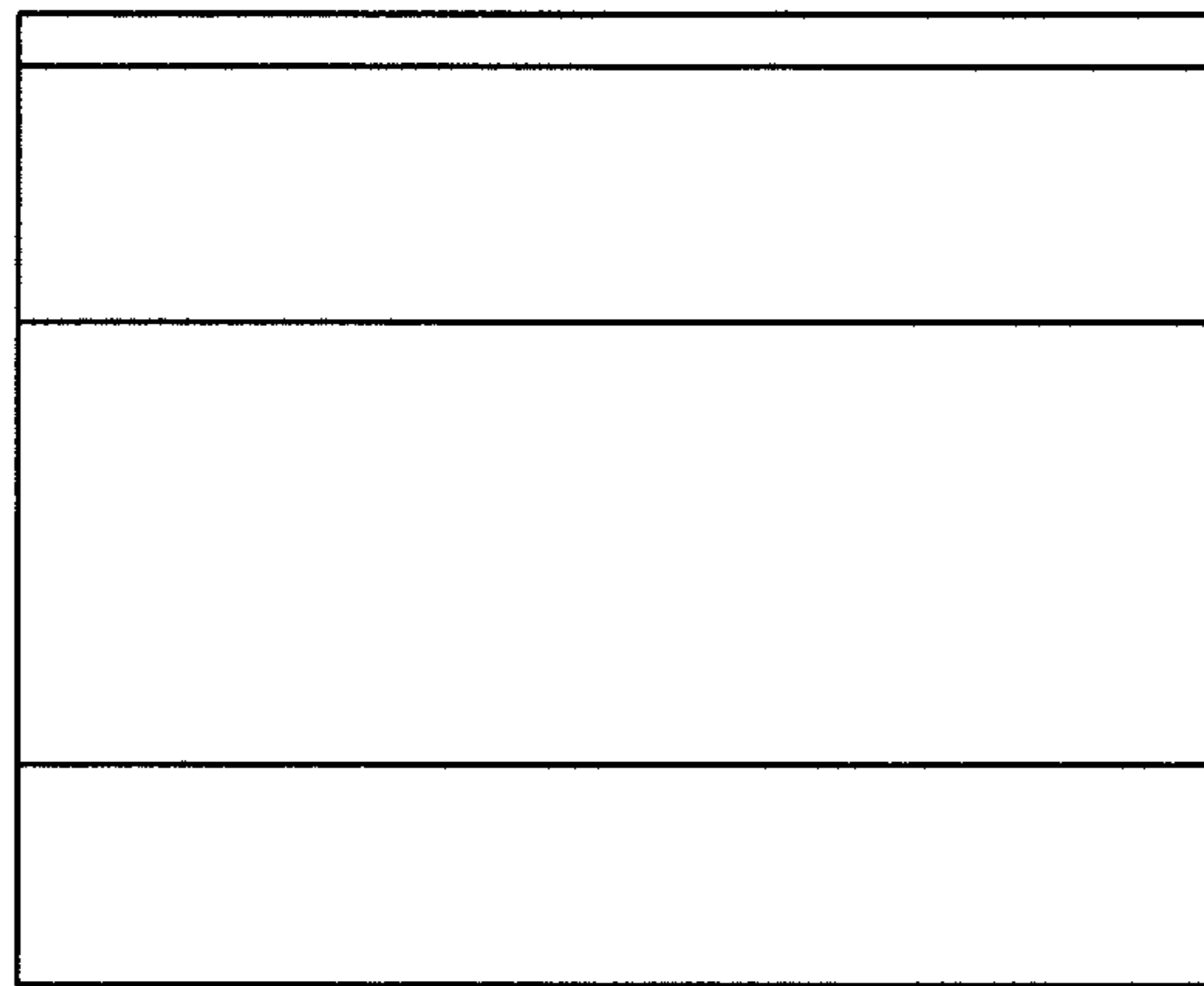


FIG. 7

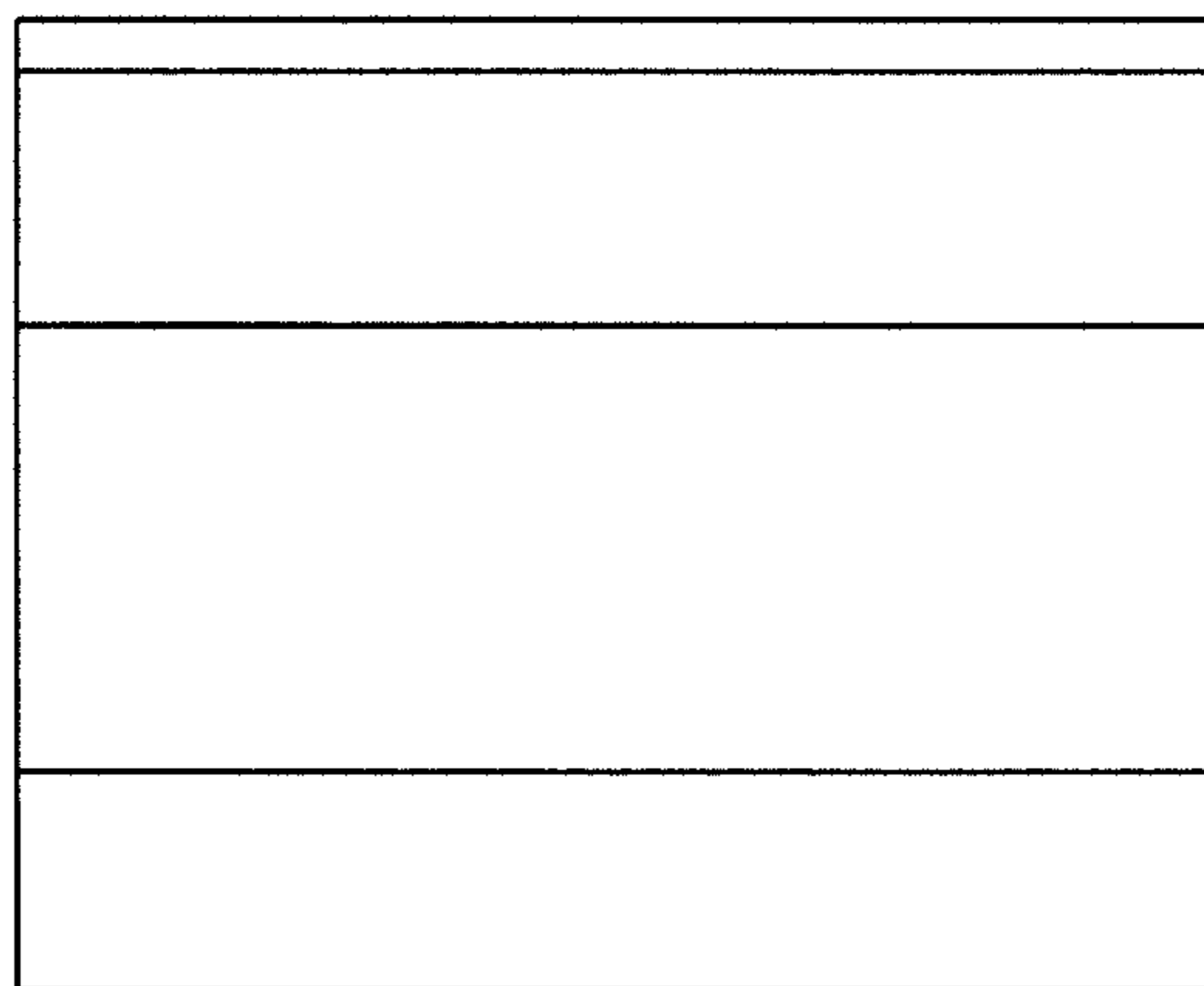


FIG. 8

