



US00D718730S

(12) **United States Design Patent**  
**Andresen et al.**

(10) **Patent No.:** **US D718,730 S**  
(45) **Date of Patent:** **\*\* Dec. 2, 2014**

(54) **VIDEO CONFERENCE SYSTEM ENDPOINT**

(71) Applicant: **Cisco Technology, Inc.**, San Jose, CA  
(US)

(72) Inventors: **Simen Andresen**, Akershus (NO);  
**Markus Høy-Petersen**, Oslo (NO)

(73) Assignee: **Cisco Technology, Inc.**, San Jose, CA  
(US)

(\*\*) Term: **14 Years**

(21) Appl. No.: **29/479,153**

(22) Filed: **Jan. 13, 2014**

(51) **LOC (10) Cl.** ..... **14-03**

(52) **U.S. Cl.**  
USPC ..... **D14/126**

(58) **Field of Classification Search**  
CPC ... G06F 1/1601; G06F 1/1643; H05K 5/0004;  
H05K 5/0017; H05K 5/02; H05K 5/0217  
USPC ..... D14/125–134, 239, 371, 136, 374–377,  
D14/440, 450, 448, 336, 342, 159; 312/7.2;  
348/836, 838, 180, 184, 325, 739;  
248/917–924, 465; 345/104, 133, 156,  
345/168, 87, 173; D21/329, 515, 577, 622,  
D21/333, 433, 448, 452, 450, 331, 505;  
D10/15, 26; 446/484, 175, 356;  
D6/477, 479, 300

See application file for complete search history.

(56) **References Cited**

**U.S. PATENT DOCUMENTS**

D323,324 S \* 1/1992 Suda ..... D14/125  
D510,920 S 10/2005 Tandberg et al.  
D539,245 S \* 3/2007 Bischoff ..... D14/126  
D540,762 S 4/2007 Lunde  
D578,085 S \* 10/2008 Iijima ..... D14/126  
D609,661 S \* 2/2010 VanDuyen et al. .... D14/126  
D609,662 S \* 2/2010 Noreng et al. .... D14/130

D616,404 S 5/2010 Roed et al.  
D620,463 S \* 7/2010 Li et al. .... D14/126  
D637,985 S \* 5/2011 Andresen ..... D14/129  
D672,325 S \* 12/2012 Lu et al. .... D14/126

\* cited by examiner

*Primary Examiner* — Raphael Barkai

(74) *Attorney, Agent, or Firm* — Edell, Shapiro & Finnan,  
LLC

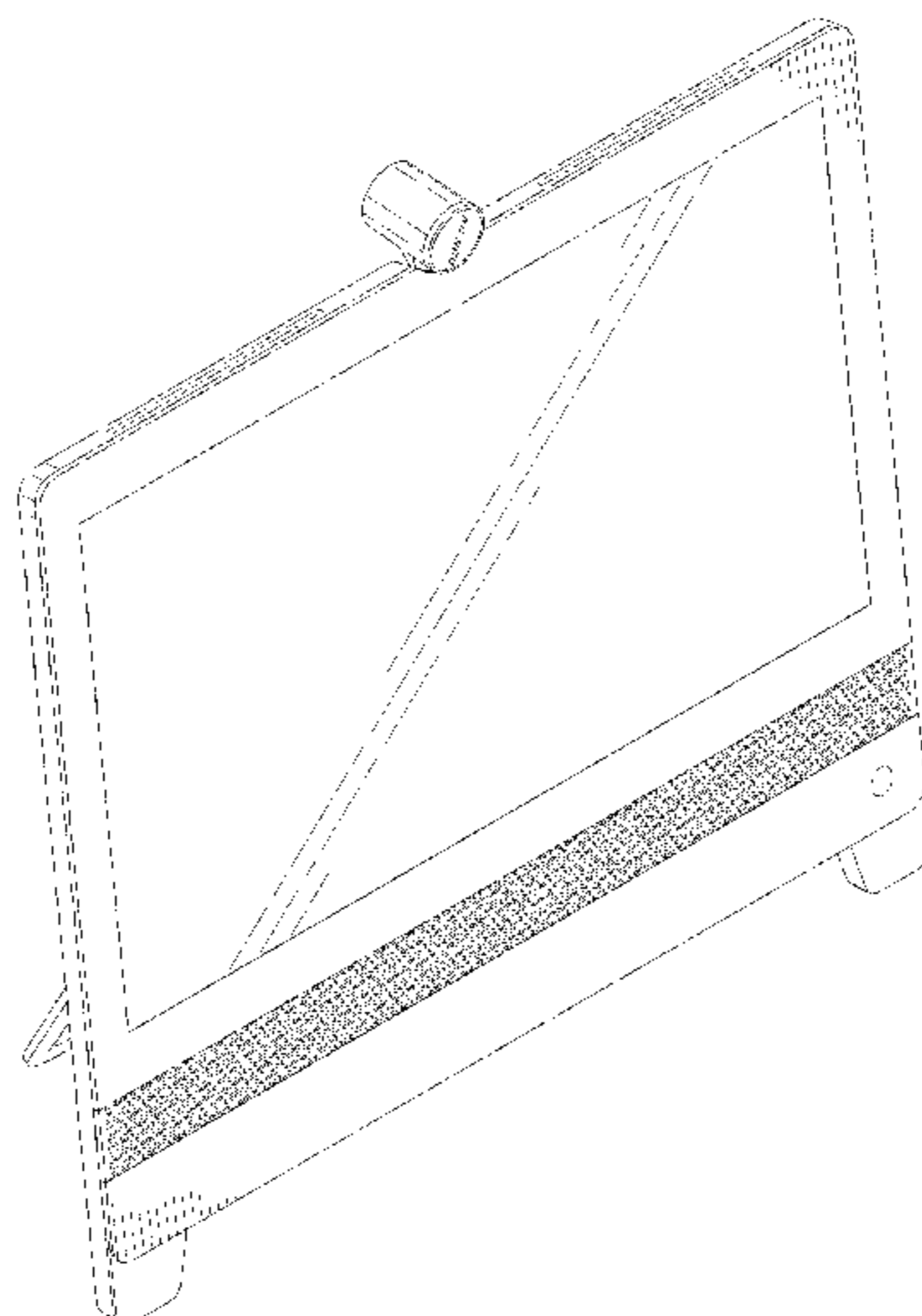
(57) **CLAIM**

The ornamental design for a video conference system end-  
point, as shown and described.

**DESCRIPTION**

FIG. 1 is a front perspective view of the video conference system endpoint;  
FIG. 2 is a rear perspective view of the video conference system endpoint;  
FIG. 3 is a front elevation view of the video conference system endpoint;  
FIG. 4 is a rear elevation view of the video conference system endpoint;  
FIG. 5 is a side elevation view of the video conference system endpoint; and  
FIG. 6 is a side elevation view the video conference system endpoint.  
FIG. 7 is a top perspective view of the video conference system endpoint;  
FIG. 8 is a bottom perspective view the video conference system endpoint;  
FIG. 9 is a top plan view of the video conference system endpoint; and,  
FIG. 10 is a bottom plan view the video conference system endpoint.  
Any portions shown using dashed lines are for illustrative purposes only and form no part of the claimed design.

**1 Claim, 7 Drawing Sheets**



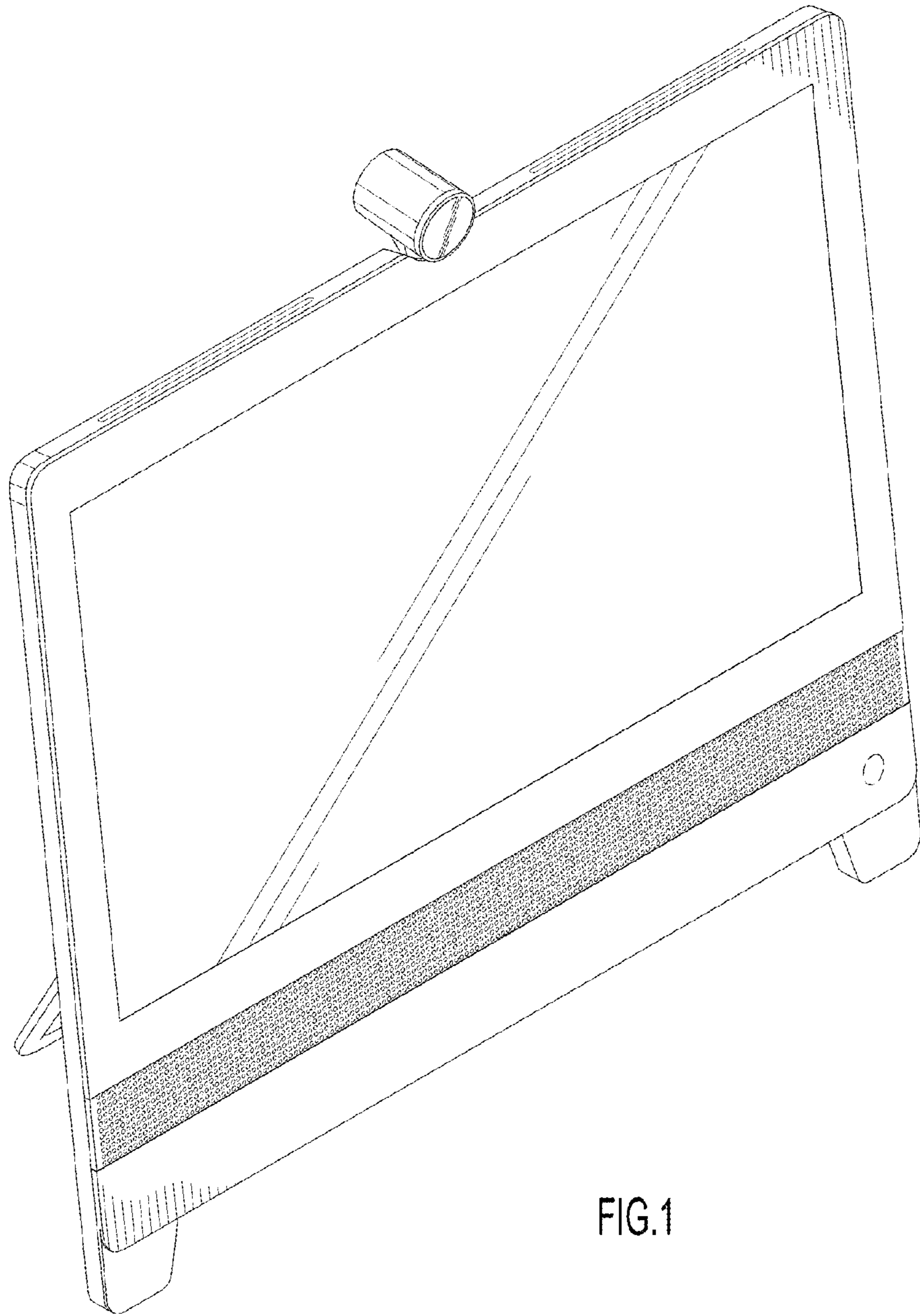


FIG.1

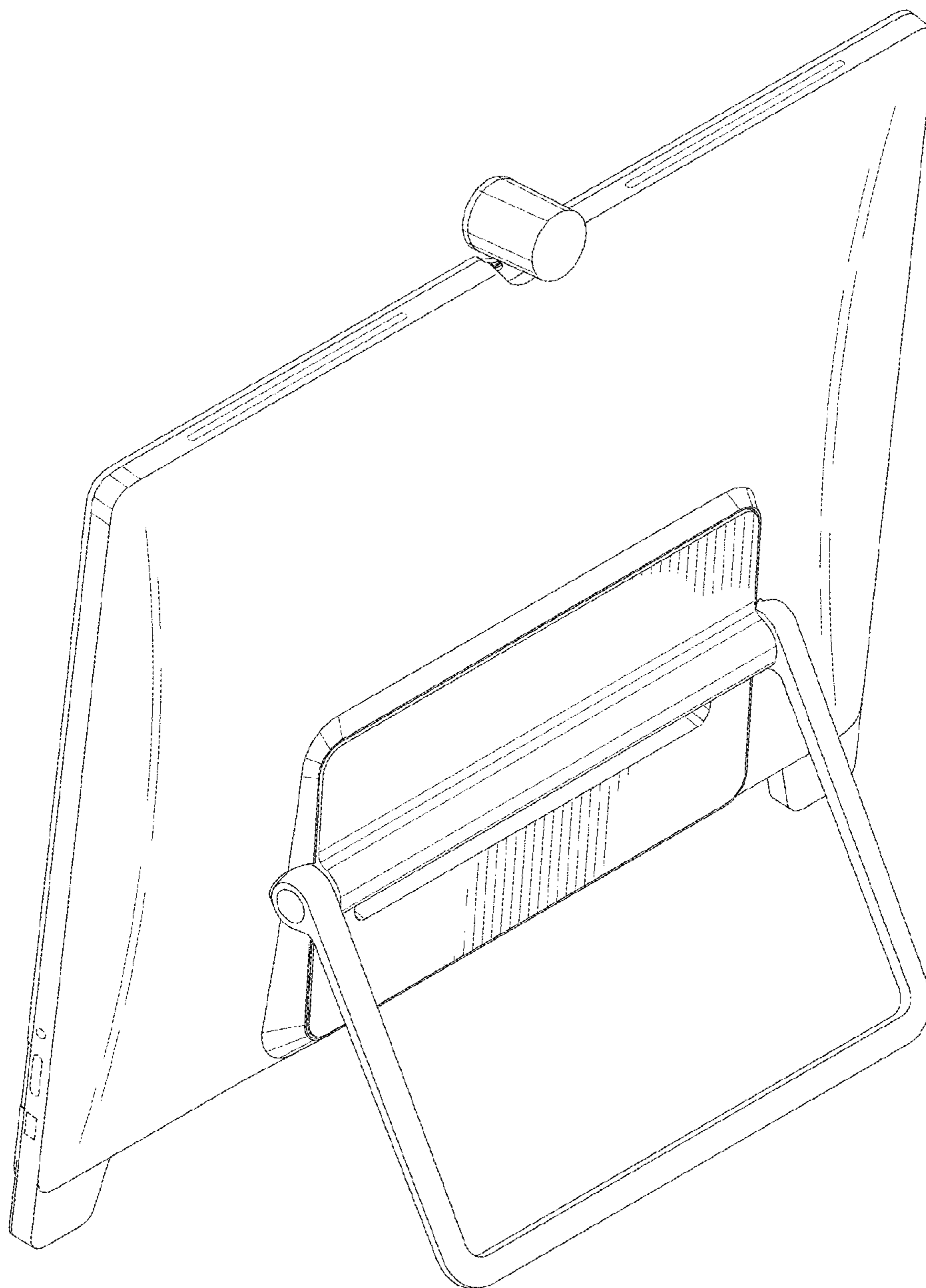


FIG.2

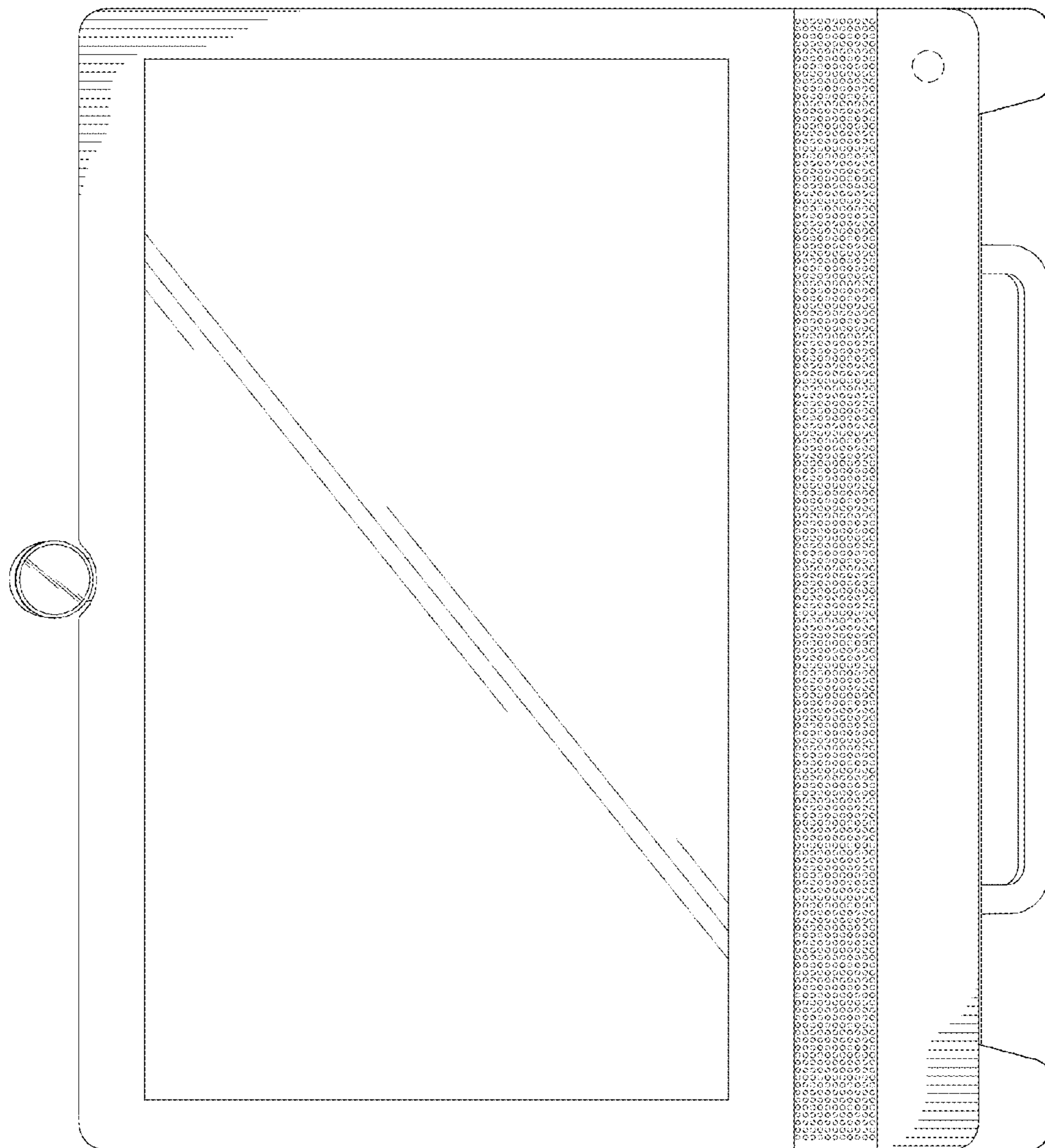
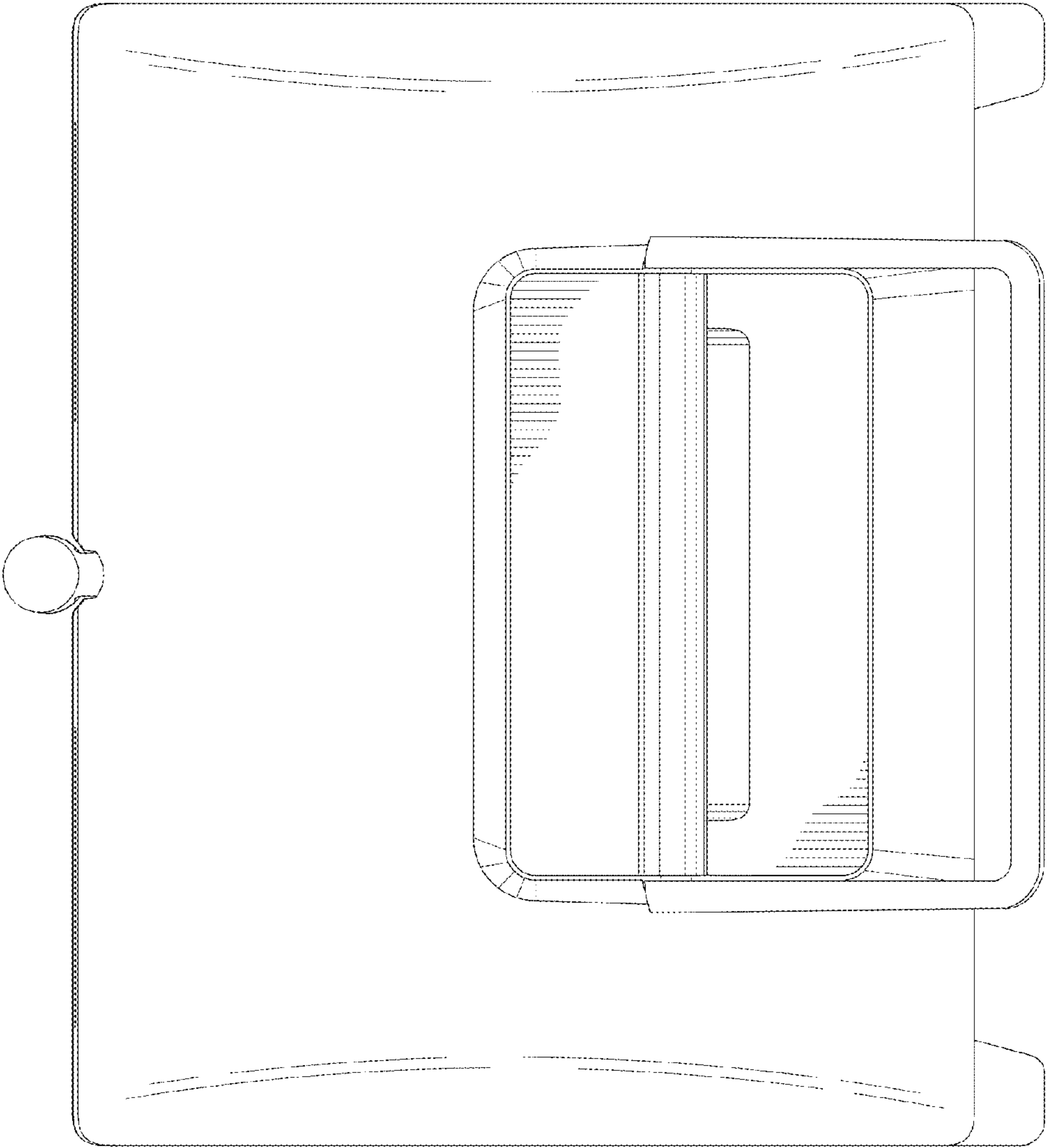


FIG.3

FIG.4



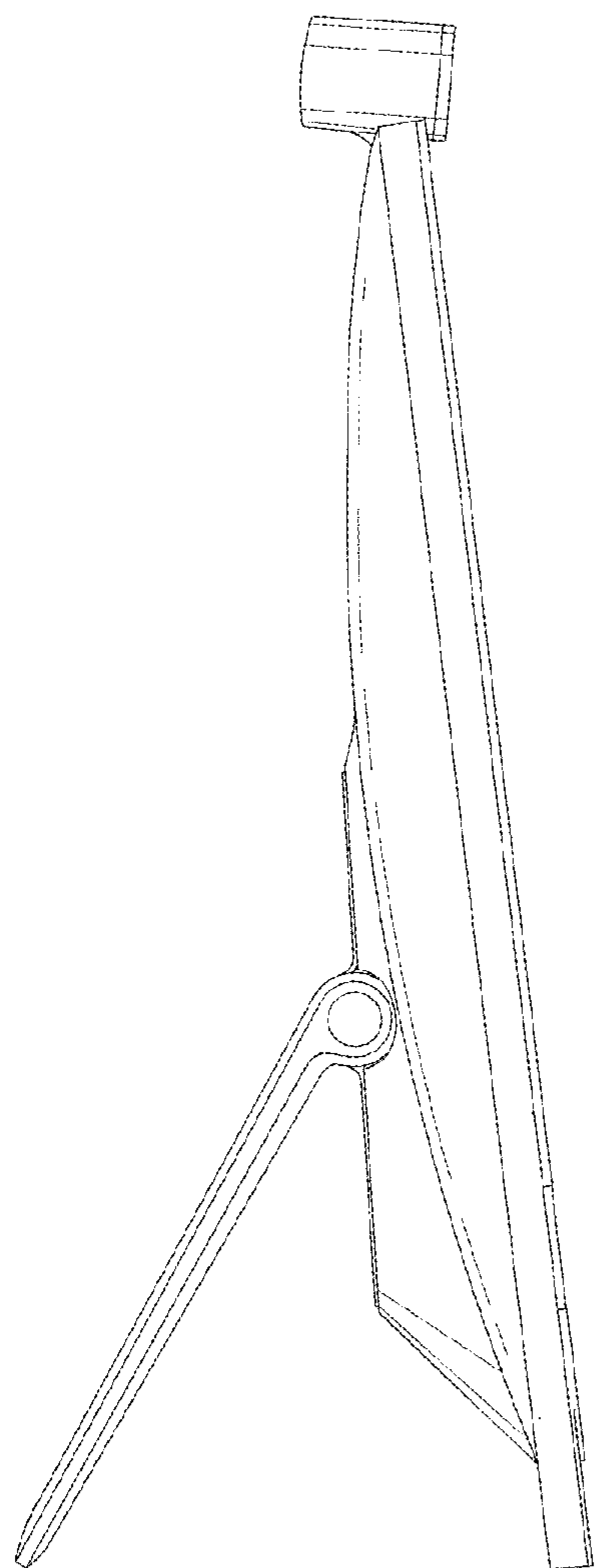


FIG.5

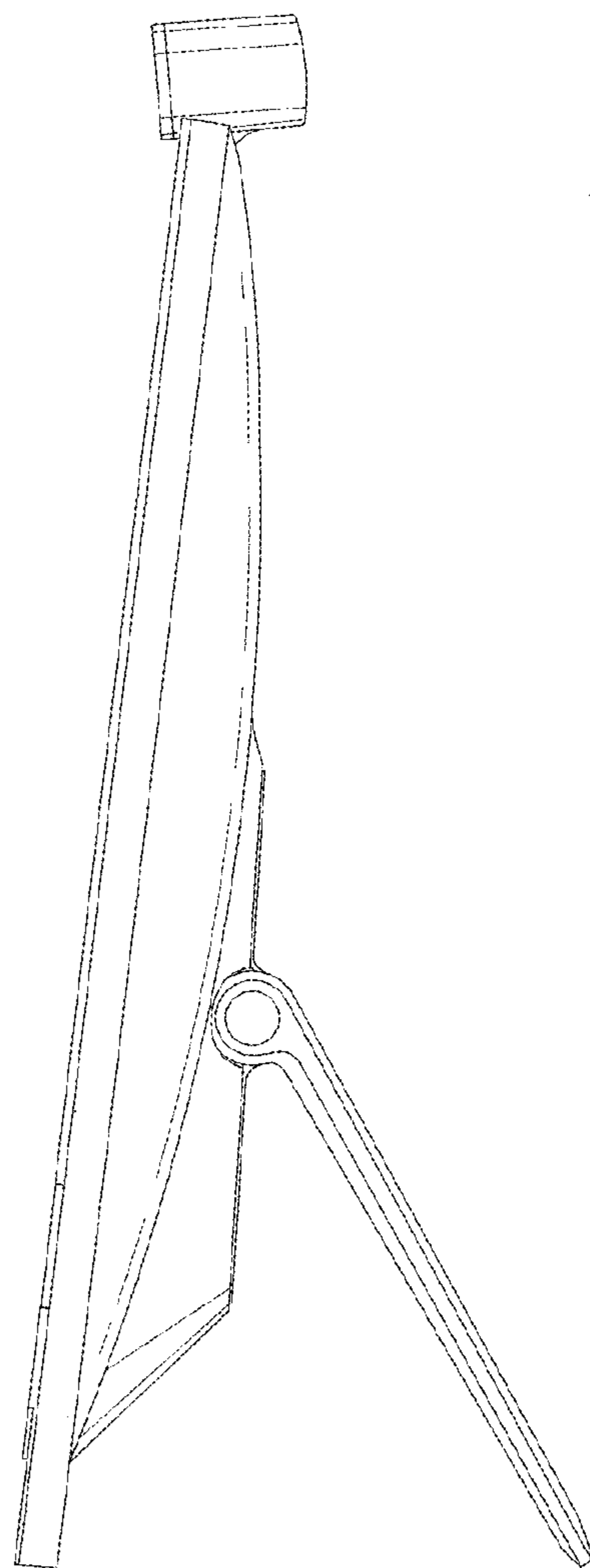


FIG.6

FIG.7

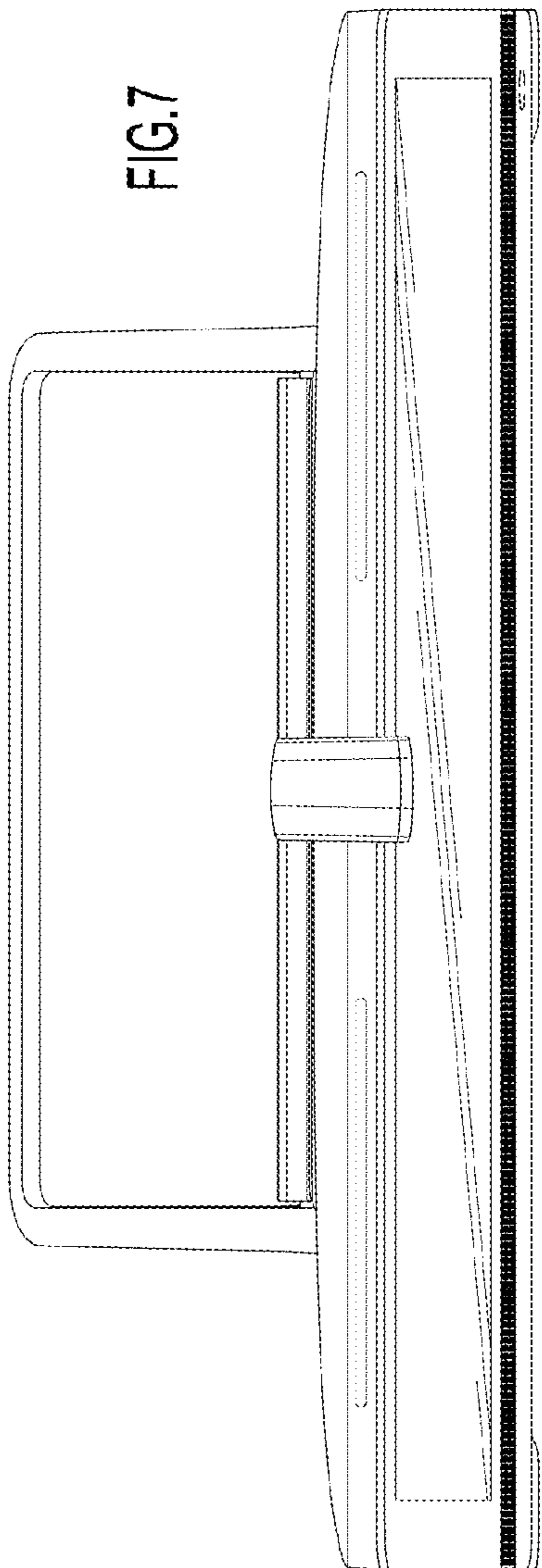


FIG.8

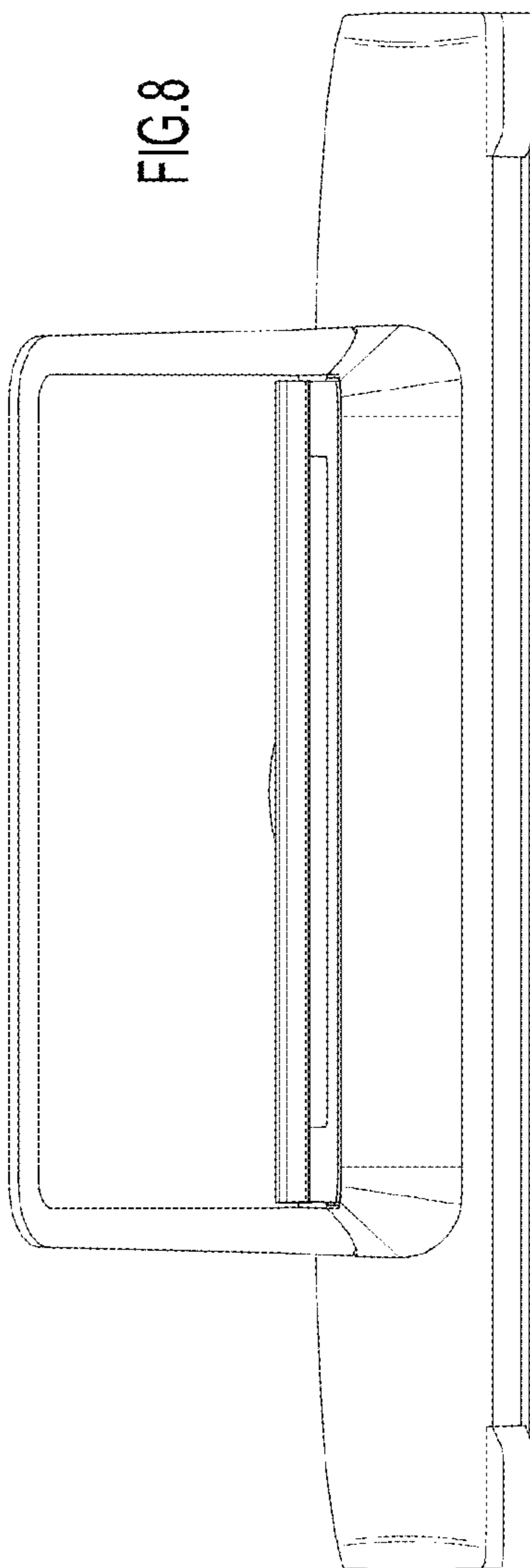


FIG.9

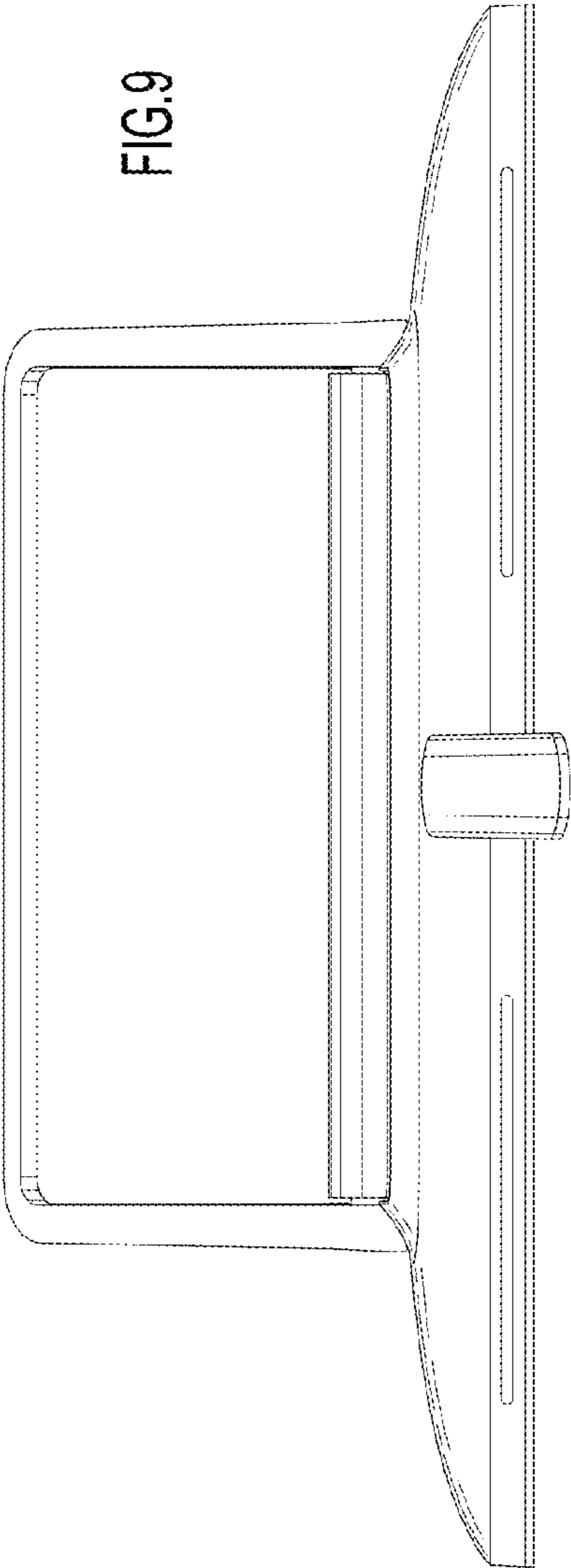


FIG.10

