



US00D718729S

(12) **United States Design Patent**  
**Park**

(10) **Patent No.:** **US D718,729 S**

(45) **Date of Patent:** **\*\* \*Dec. 2, 2014**

(54) **TV RECEIVER**

(75) Inventor: **Jin-Su Park**, Seoul (KR)

(73) Assignee: **Samsung Electronics Co., Ltd.**,  
Suwon-si, Gyeonggi-do (KR)

(\*) Notice: This patent is subject to a terminal disclaimer.

(\*\*) Term: **14 Years**

(21) Appl. No.: **29/428,690**

(22) Filed: **Aug. 2, 2012**

(30) **Foreign Application Priority Data**

Feb. 28, 2012 (KR) ..... 30-2012-0009353

(51) **LOC (10) Cl.** ..... **14-03**

(52) **U.S. Cl.**  
USPC ..... **D14/126**

(58) **Field of Classification Search**

USPC ..... D14/126, 127, 128, 129, 239, 371, 136,  
D14/341, 375, 479, 389, 397, 308, 412, 157,  
D14/155, 511, 132; 312/7.2; 348/836, 838,  
348/180, 184, 325, 739; 341/12;  
248/917-924, 465; 345/104, 133, 156,  
345/168, 87, 173; 720/605, 600, 655;  
455/347; 273/148 B; D27/126; D10/15,  
D10/26; D6/610, 300

See application file for complete search history.

(56) **References Cited**

**U.S. PATENT DOCUMENTS**

D570,841 S 6/2008 Kim et al.  
D572,682 S 7/2008 Won et al.  
D573,118 S 7/2008 Yang et al.  
D584,258 S 1/2009 Yang et al.  
D601,104 S 9/2009 Kim  
D603,816 S 11/2009 Kim et al.  
D603,817 S 11/2009 Kim et al.  
D605,148 S 12/2009 Boo et al.

D605,149 S 12/2009 Kim et al.  
D608,314 S 1/2010 Boo et al.  
D614,596 S 4/2010 Won et al.  
D616,842 S 6/2010 Kim  
D620,902 S 8/2010 Kim et al.  
D624,036 S 9/2010 Lee et al.  
D625,278 S 10/2010 Kim et al.  
D639,759 S 6/2011 Shin et al.  
D655,264 S 3/2012 Lee et al.  
D655,265 S 3/2012 Ann et al.  
D656,117 S 3/2012 Won et al.  
D656,914 S 4/2012 Shin et al.  
D657,326 S 4/2012 Kim et al.  
D658,613 S 5/2012 Lee et al.

**OTHER PUBLICATIONS**

U.S. Appl. No. 29/373,618, Applicant: Ji-Gwang Kim, et al., filed May 3, 2011 entitled Television Receiver.  
U.S. Appl. No. 29/426,390, Applicant: Yu-Li Sung, filed Jul. 5, 2012 entitled TV Receiver.  
U.S. Appl. No. 29/426,428, Applicant: Sang-Young Lee, filed Jul. 5, 2012 entitled TV Receiver.

*Primary Examiner* — Robert M Spear

*Assistant Examiner* — Eliza Bennett-Hattan

(74) *Attorney, Agent, or Firm* — Flynn, Thiel, Boutell & Tanis, P.C.

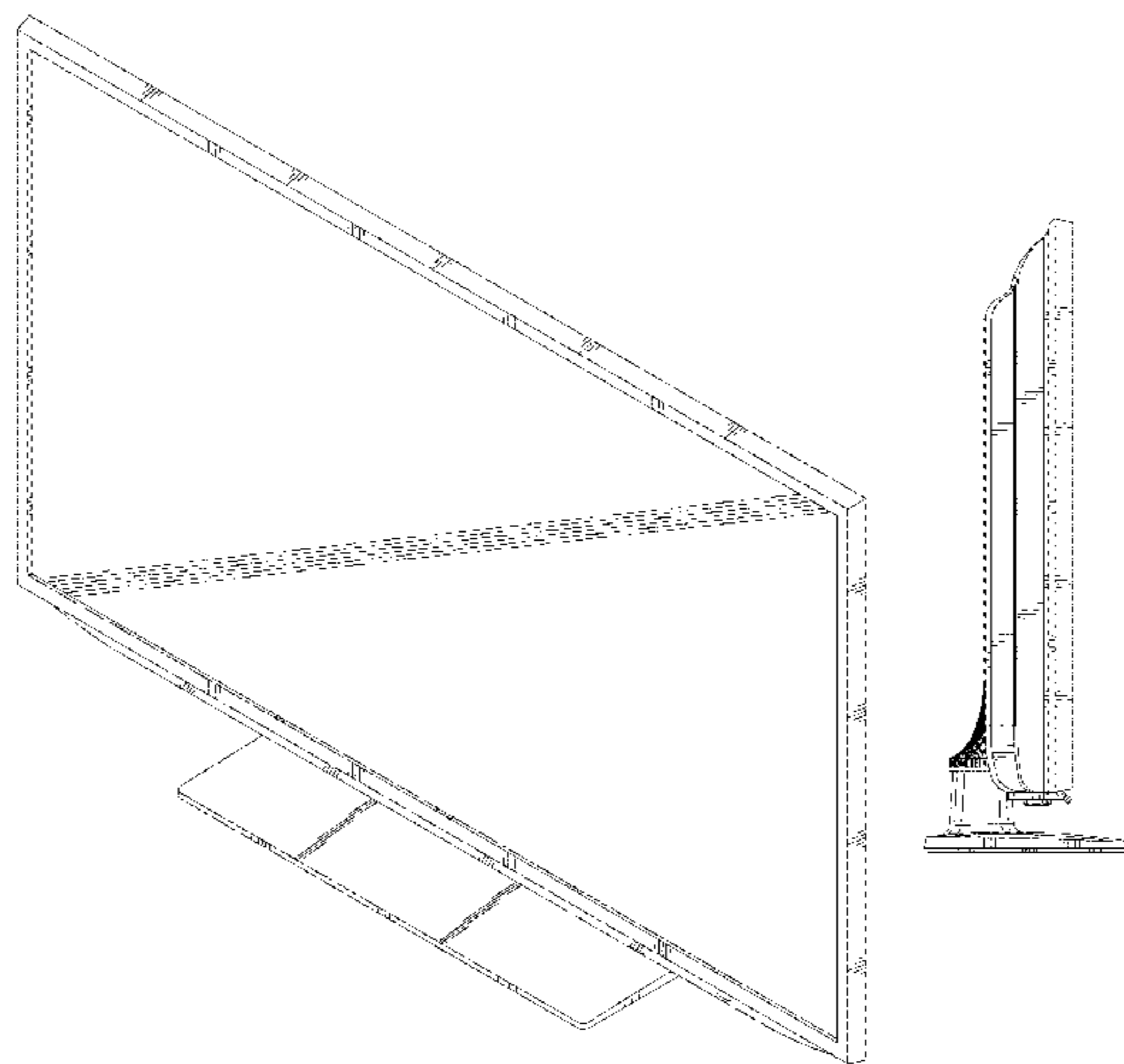
(57) **CLAIM**

The ornamental design for a TV receiver, as shown and described.

**DESCRIPTION**

FIG. 1 is a top front perspective view of a TV receiver showing my new design;  
FIG. 2 is a front elevational view thereof;  
FIG. 3 is a rear elevational view thereof;  
FIG. 4 is a left side elevational view thereof;  
FIG. 5 is a right side elevational view thereof;  
FIG. 6 is a top plan view thereof; and,  
FIG. 7 is a bottom plan view thereof.  
The broken lines in the drawing depict environmental subject matter only and form no part of the claimed design.

**1 Claim, 4 Drawing Sheets**



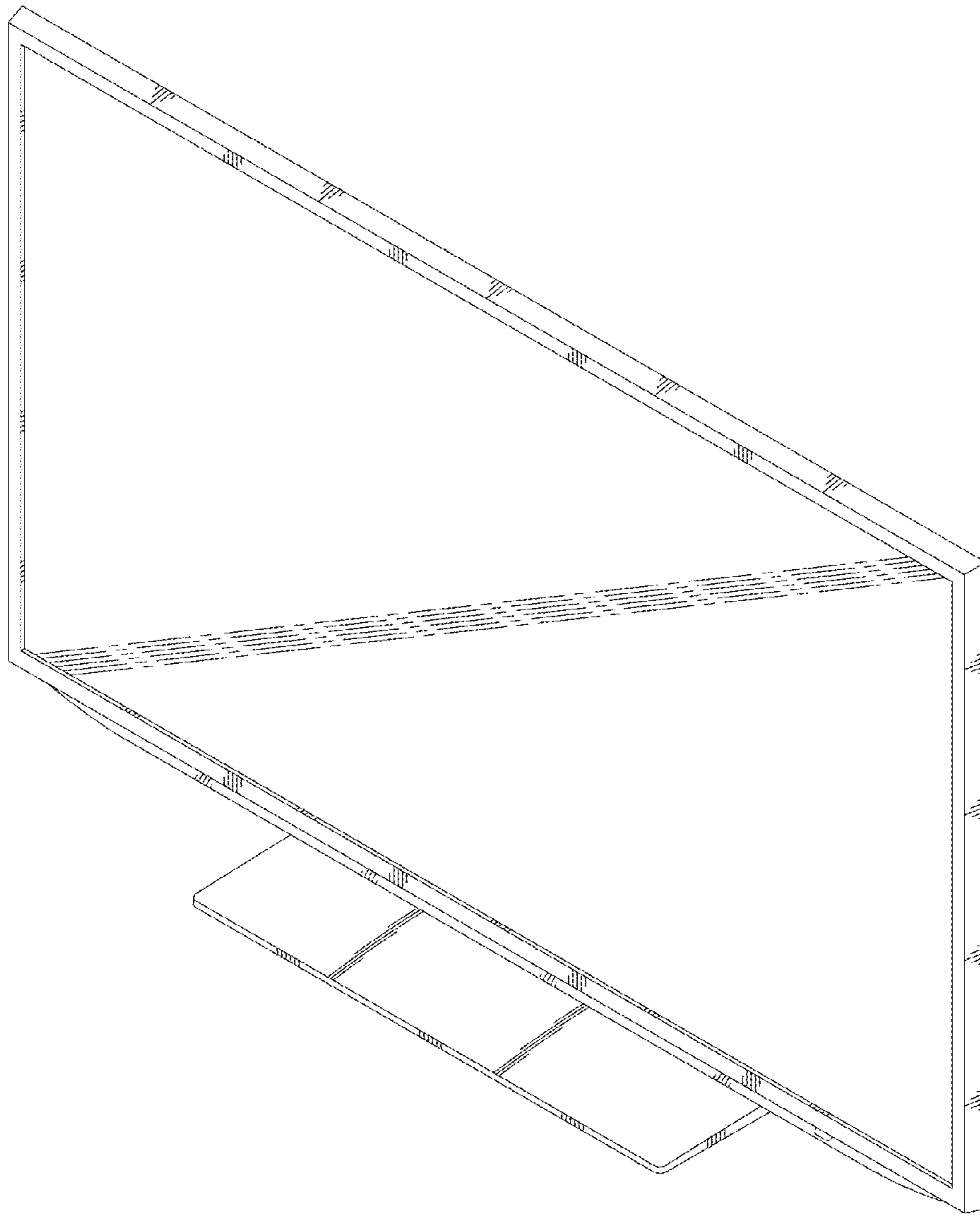


FIG. 1

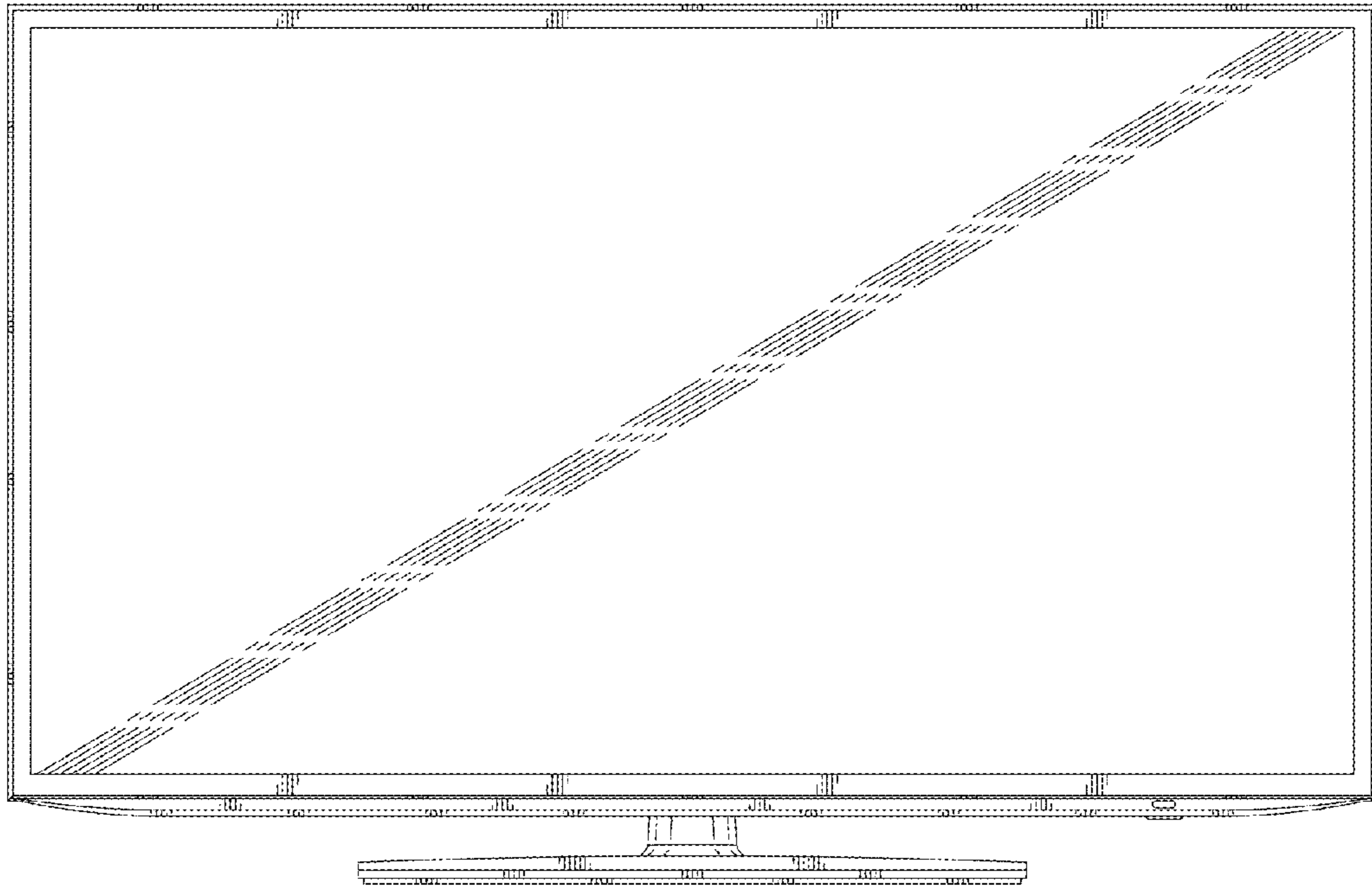


FIG. 2

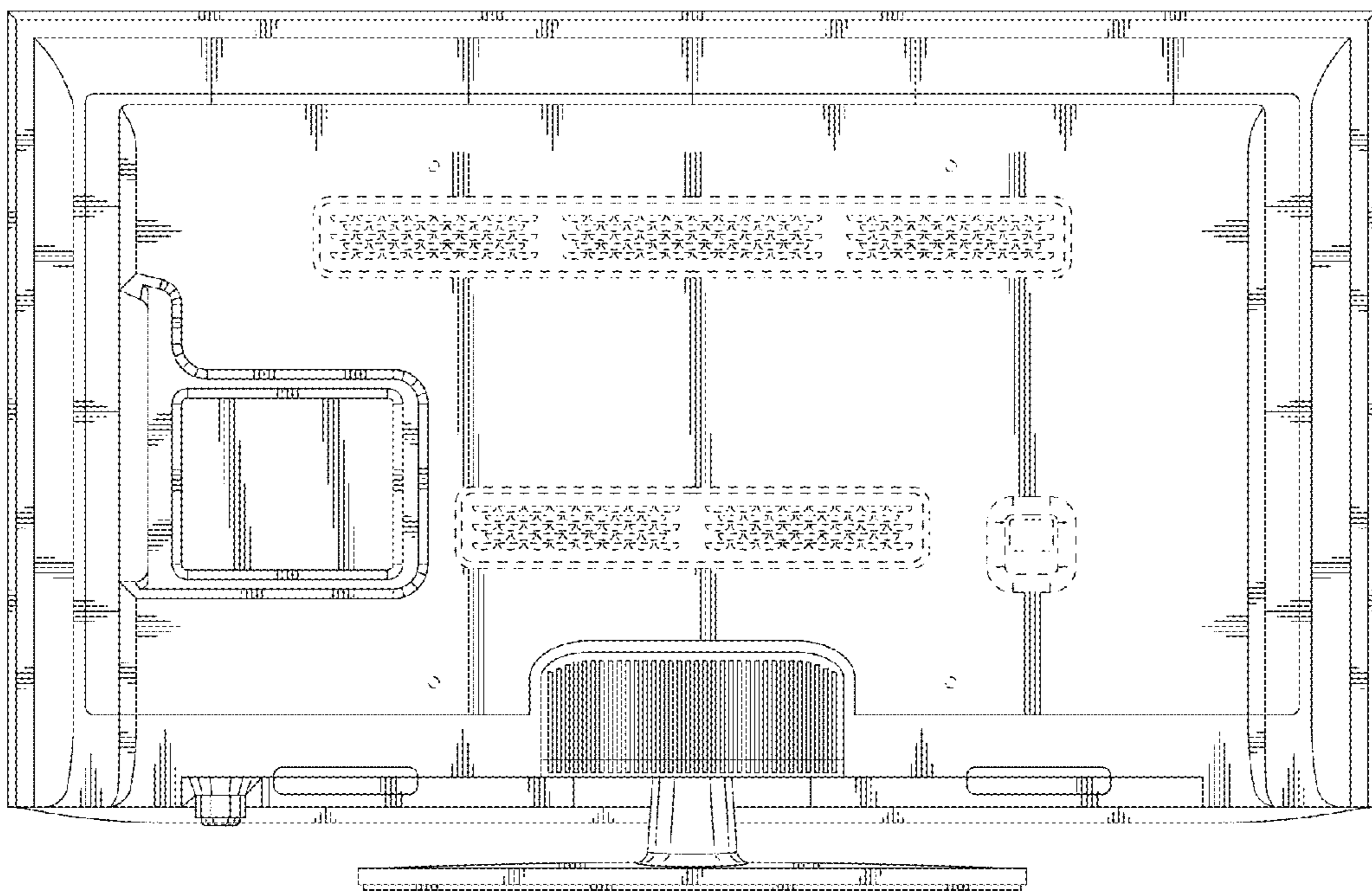


FIG. 3

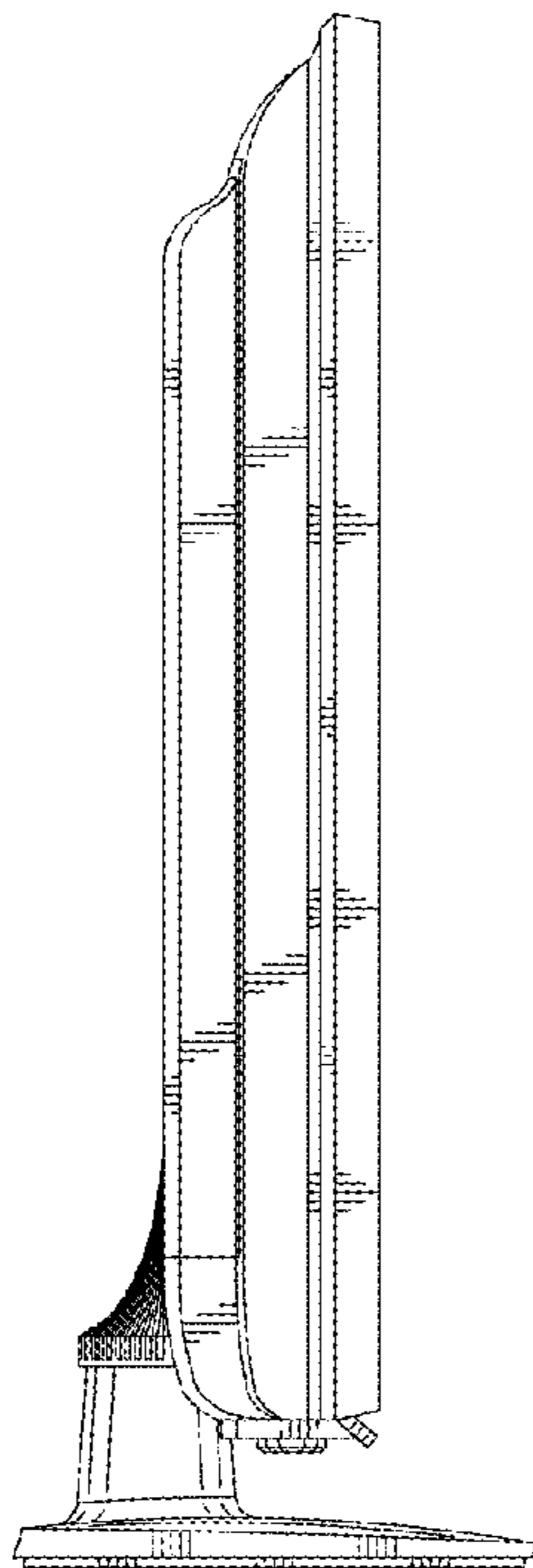


FIG. 4

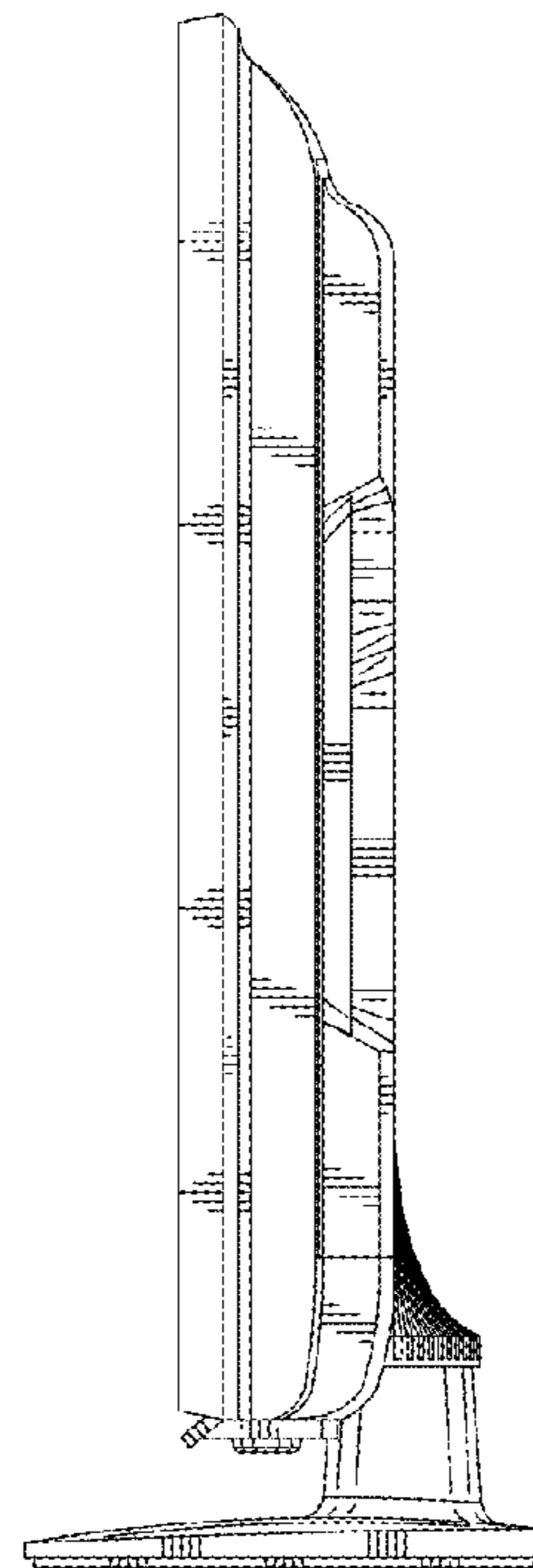


FIG. 5

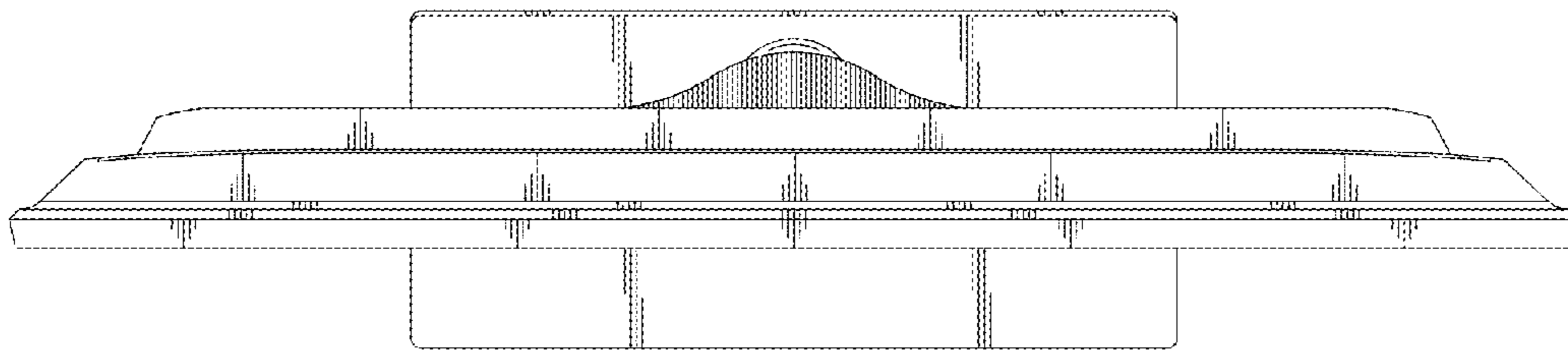


FIG. 6

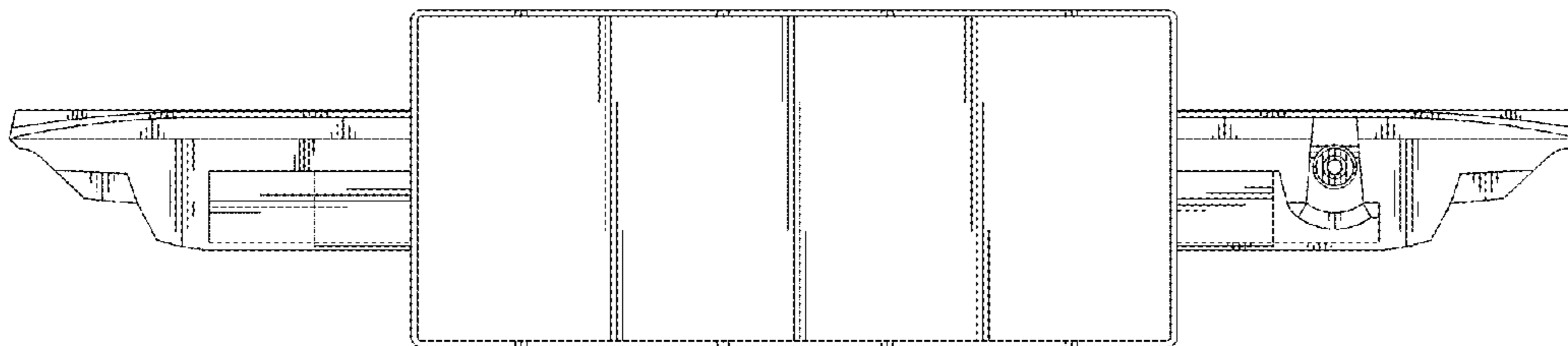


FIG. 7