



US00D718726S

(12) **United States Design Patent**
Lo et al.

(10) **Patent No.:** **US D718,726 S**
(45) **Date of Patent:** **** Dec. 2, 2014**

(54) **LIGHT-EMITTING DIODE PACKAGE**

(71) Applicant: **Lextar Electronics Corporation,**
Hsinchu (TW)

(72) Inventors: **Shih-Ju Lo,** Hsinchu County (TW);
Che-Ming Hsu, Changhua County
(TW); **Lei-Hsin Liu,** Hsinchu (TW);
Yue-Ying Su, Yunlin County (TW);
Hui-Kai Hsu, Taitung County (TW)

(73) Assignee: **Lextar Electronics Corporation,**
Hsinchu (TW)

(**) Term: **14 Years**

(21) Appl. No.: **29/472,846**

(22) Filed: **Nov. 15, 2013**

(30) **Foreign Application Priority Data**

May 17, 2013 (TW) 102303533

(51) **LOC (10) Cl.** **13-03**

(52) **U.S. Cl.**
USPC **D13/180**

(58) **Field of Classification Search**
USPC D13/180; D26/1; 257/79, 80, 81, 88,
257/89, 95, 98, 99, 100, E33.058; 313/483,
313/498, 500; 362/555, 800
See application file for complete search history.

(56) **References Cited**

U.S. PATENT DOCUMENTS

D578,084 S * 10/2008 Kobayakawa D13/180
D578,969 S * 10/2008 Kobayakawa D13/180

D630,777 S *	1/2011	Lee	D26/24
D656,107 S *	3/2012	Hsu	D13/180
D664,103 S *	7/2012	Sasaoka et al.	D13/180
D664,104 S *	7/2012	Hsu	D13/180
D664,107 S *	7/2012	Wang	D13/180
D664,505 S *	7/2012	Ko	D13/180
D664,510 S *	7/2012	Wang	D13/180
D668,235 S *	10/2012	Chang et al.	D13/180
D668,623 S *	10/2012	Hsu	D13/180
D668,624 S *	10/2012	Ko	D13/180
D670,663 S *	11/2012	Ko	D13/180
D671,082 S *	11/2012	Chang	D13/180
D678,225 S *	3/2013	Ko et al.	D13/180
D678,226 S *	3/2013	Hsu et al.	D13/180
D697,877 S *	1/2014	Hsu et al.	D13/180
D709,039 S *	7/2014	Ko et al.	D13/180
2010/0102348 A1 *	4/2010	Lin	257/98
2011/0127566 A1 *	6/2011	Yoon	257/99
2012/0074451 A1 *	3/2012	Lin	257/99
2012/0161180 A1 *	6/2012	Komatsu et al.	257/98

* cited by examiner

Primary Examiner — Selina Sikder

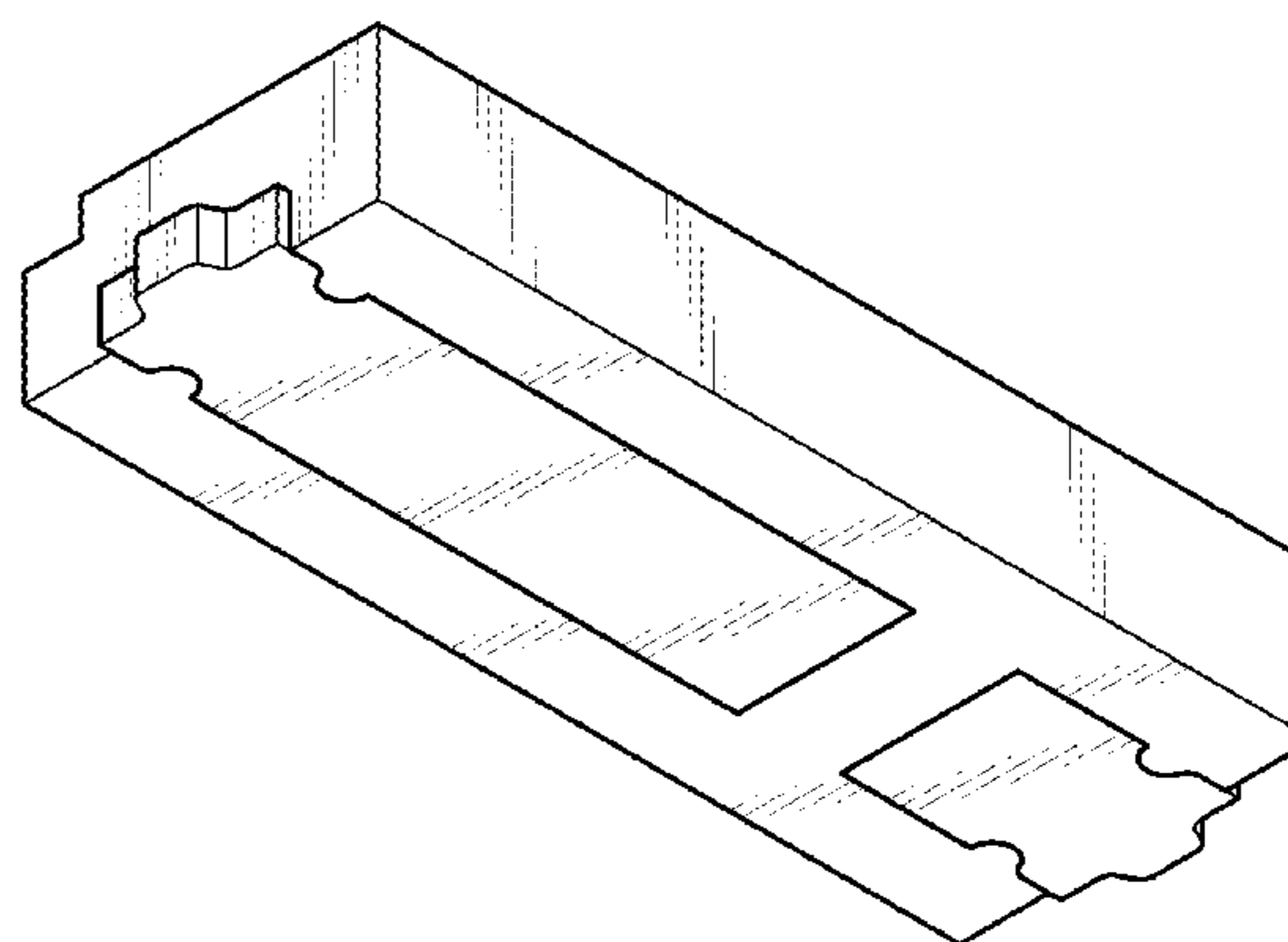
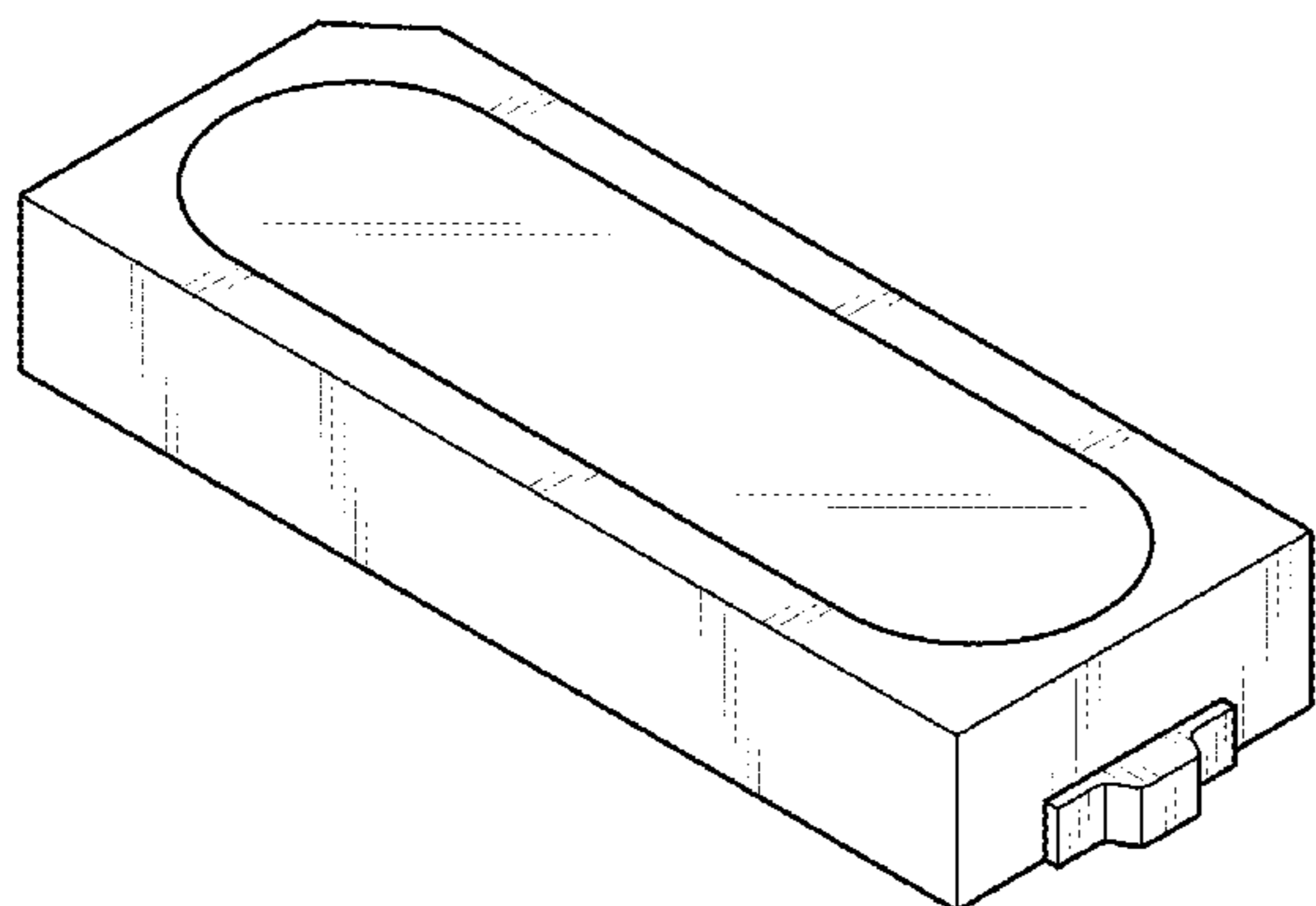
(57) **CLAIM**

The ornamental design for light emitting diode package, as shown and described.

DESCRIPTION

FIG. 1 is a front perspective view of the light emitting diode package showing our new design;
FIG. 2 is a rear perspective view thereof;
FIG. 3 is a front view thereof;
FIG. 4 is a rear view thereof;
FIG. 5 is a left side view thereof;
FIG. 6 is a right side view thereof;
FIG. 7 is a top plan view thereof; and,
FIG. 8 is a bottom plan view thereof.

1 Claim, 8 Drawing Sheets



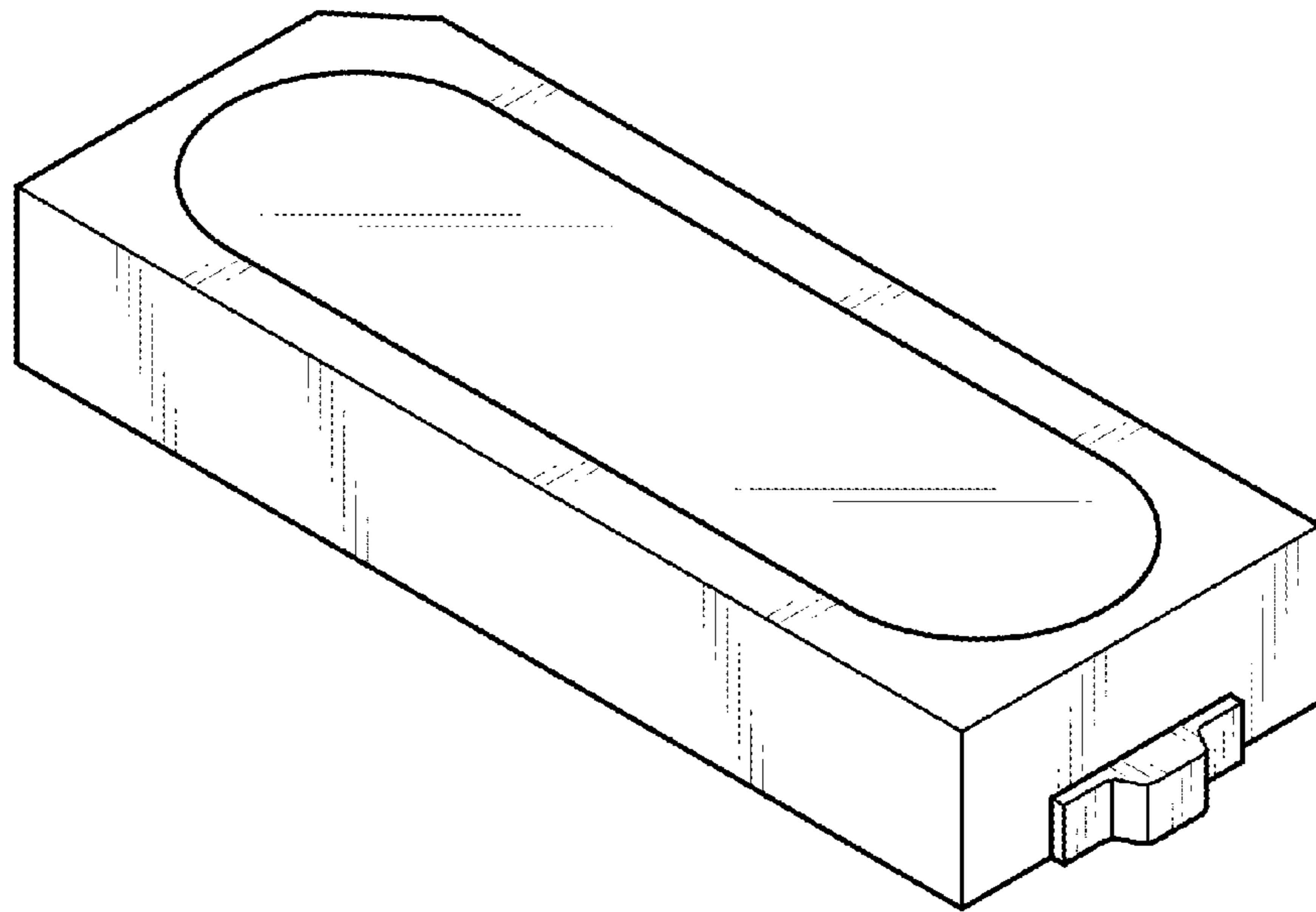


FIG. 1

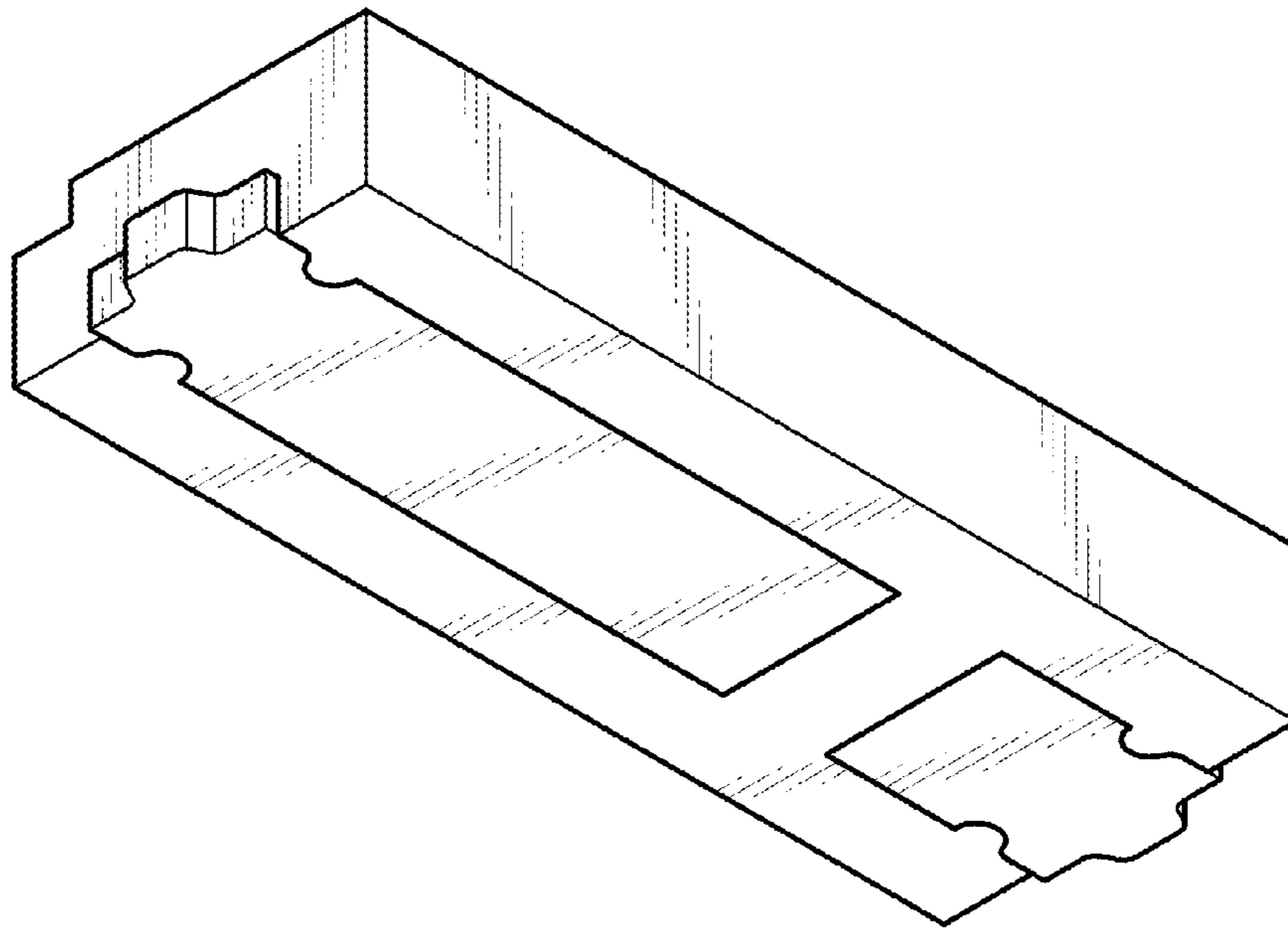


FIG. 2



FIG. 3



FIG. 4

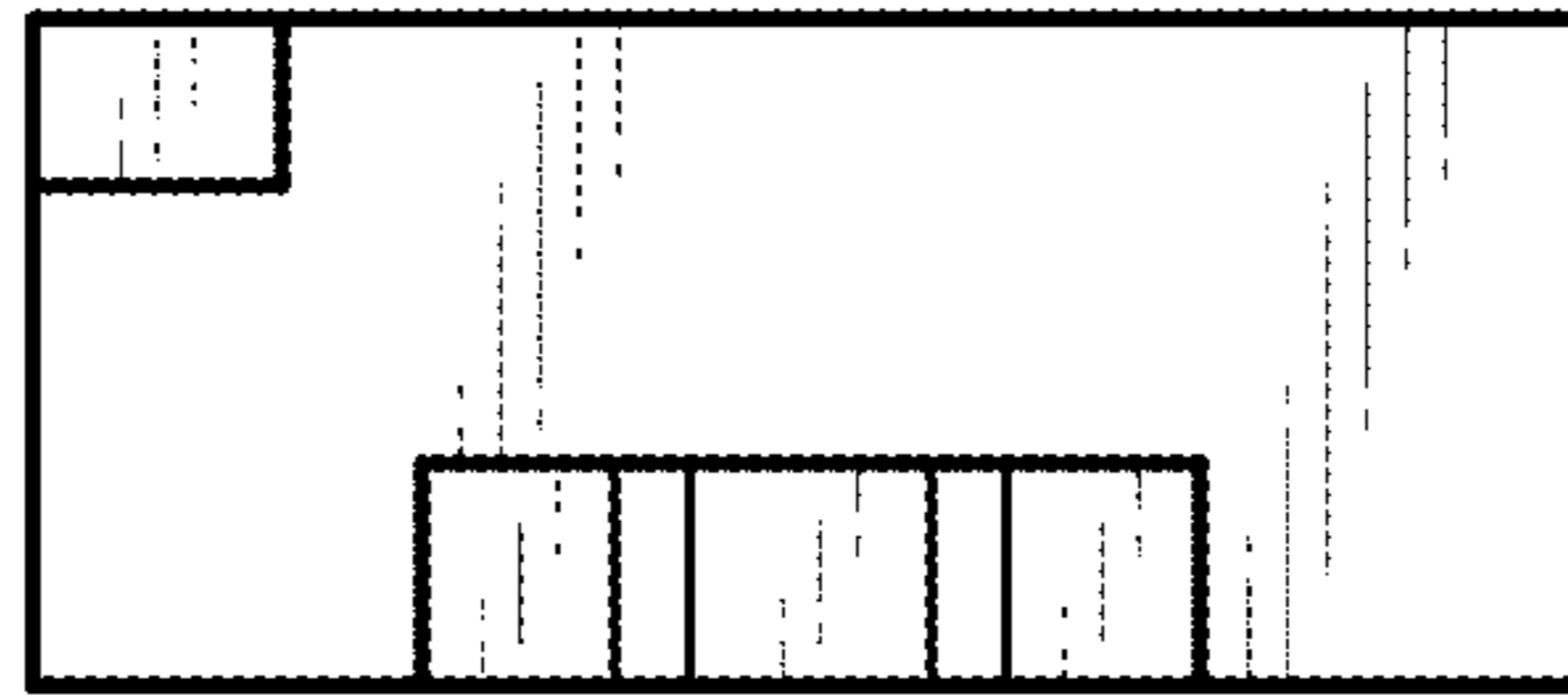


FIG. 5

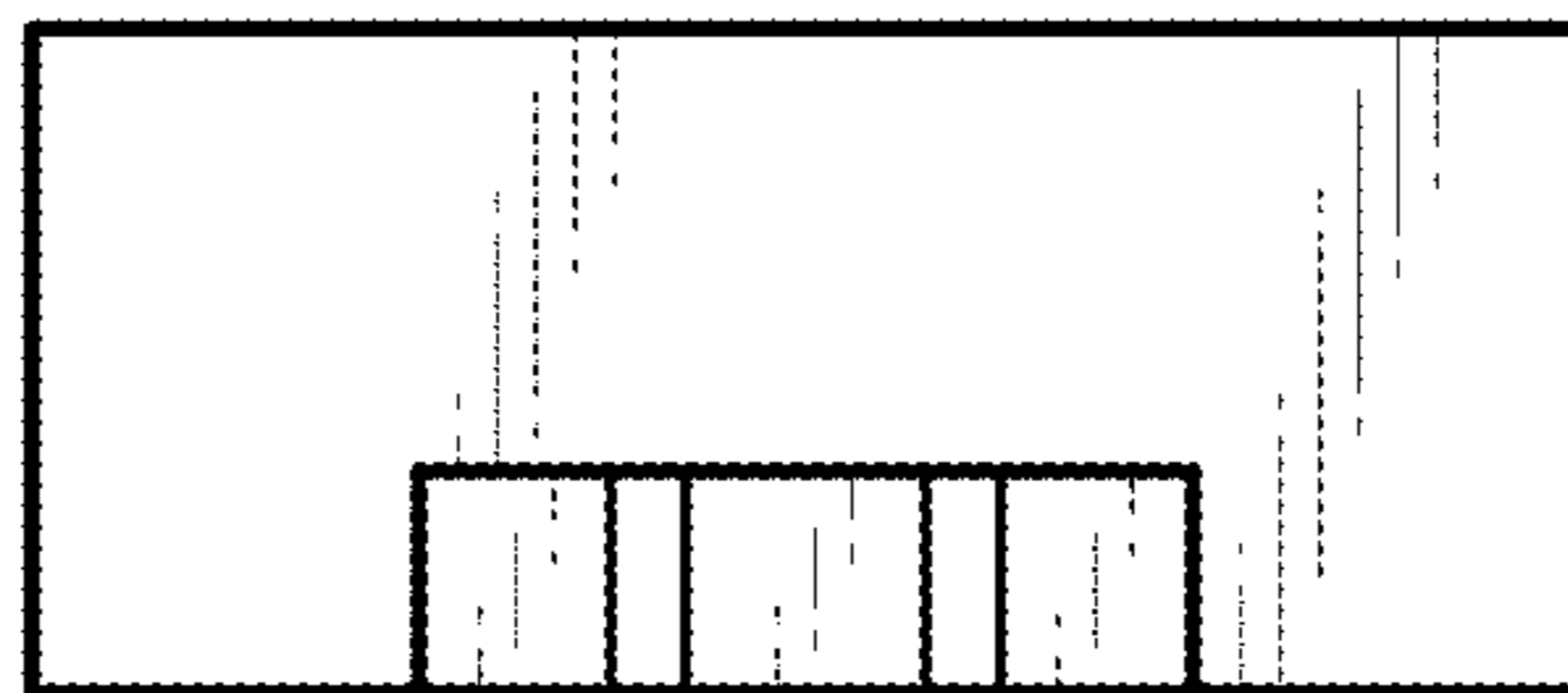


FIG. 6

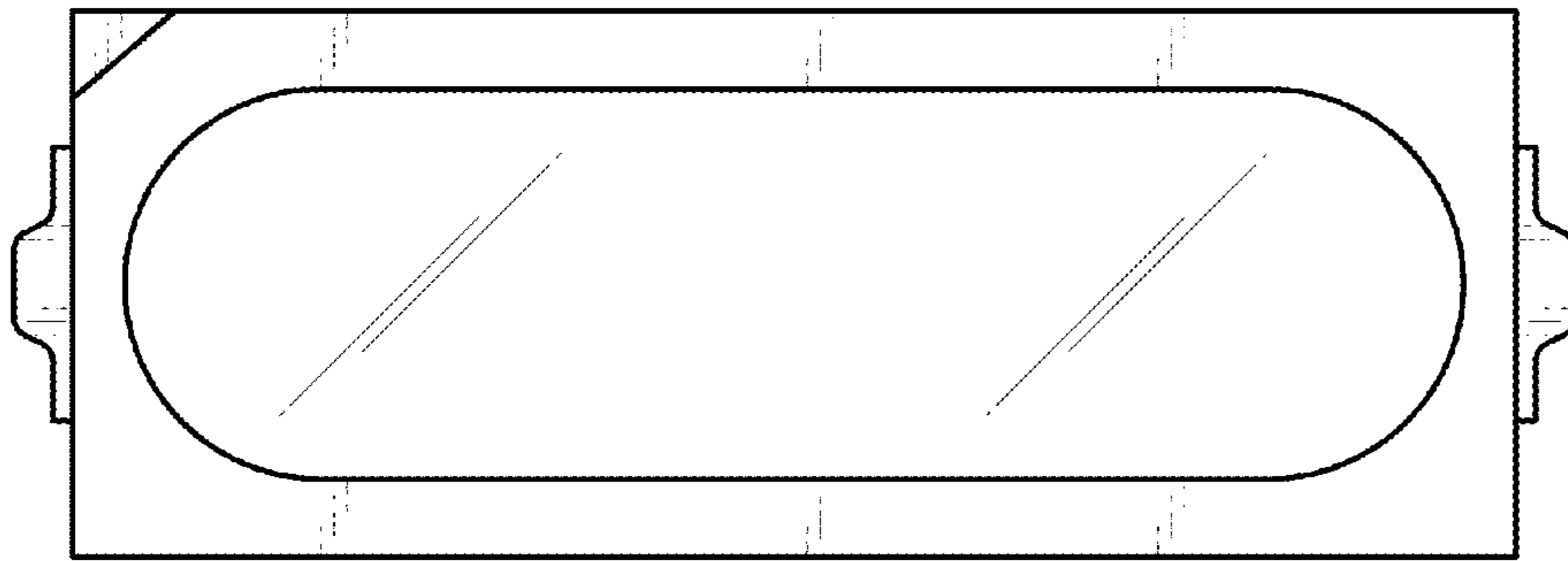


FIG. 7

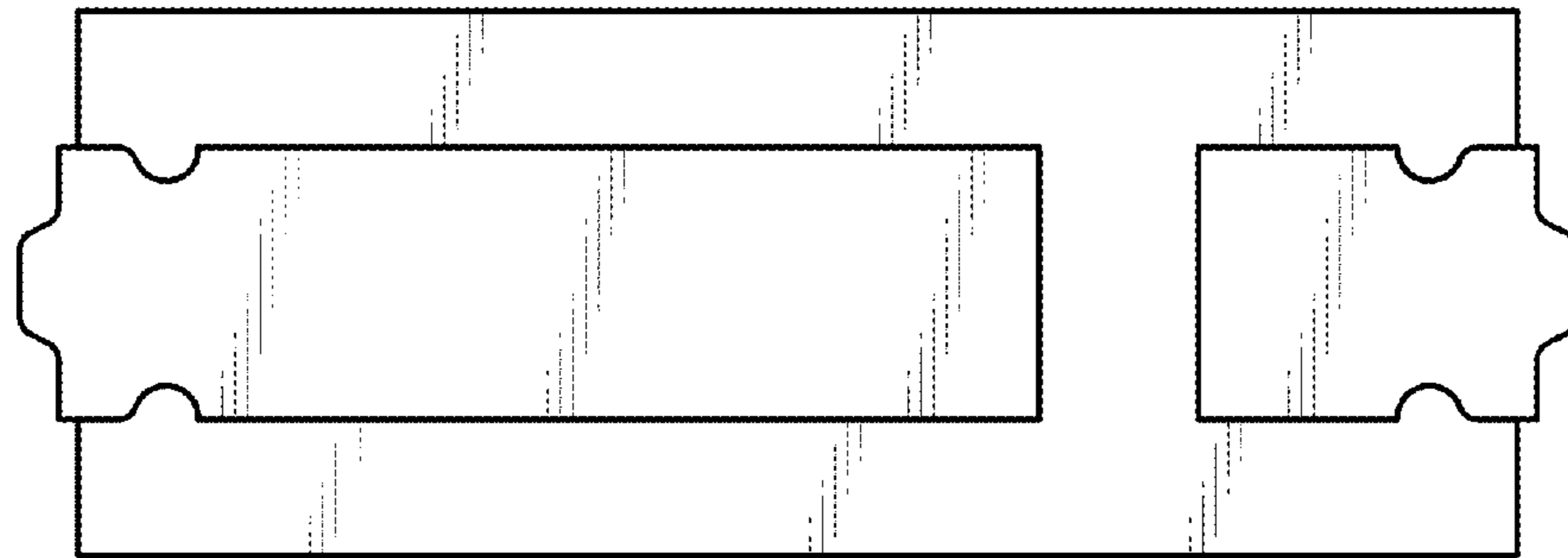


FIG. 8