



US00D718721S

(12) **United States Design Patent**
Rader et al.

(10) **Patent No.:** **US D718,721 S**
(45) **Date of Patent:** **** Dec. 2, 2014**

- (54) **CONTROL PANEL**
- (71) Applicant: **ADT US Holdings, Inc.**, Boca Raton, FL (US)
- (72) Inventors: **Timothy Albert Rader**, Lake Worth, FL (US); **Anne-Marie Rouse**, Wellington, FL (US); **Diarmuid MacMahon**, Dublin (IE); **Mel Reynolds**, Wicklow (IE); **James Rennick**, Dublin (IE)
- (73) Assignee: **ADT US Holdings, Inc.**, Boca Raton, FL (US)
- (**) Term: **14 Years**
- (21) Appl. No.: **29/470,860**
- (22) Filed: **Oct. 25, 2013**
- (51) **LOC (10) Cl.** **13-03**
- (52) **U.S. Cl.**
USPC **D13/162**
- (58) **Field of Classification Search**
USPC D13/162, 168; D10/49, 50, 106.1, D10/106.6, 106.95; D14/217, 375, 447; D6/672, 682; 248/176.1, 176.3, 688; 340/508, 500, 540, 541, 550; 345/156; 361/679.01; 362/85, 561; 700/17, 83, 700/180, 276
See application file for complete search history.

D390,134 S *	2/1998	Ingebritson et al.	D10/50
D464,328 S *	10/2002	Vasquez et al.	D13/164
D558,152 S *	12/2007	Tatsuyama et al.	D13/162
D562,259 S *	2/2008	Kosche	D13/162
D581,879 S *	12/2008	Dukerschein et al.	D13/162
D582,802 S *	12/2008	Branson et al.	D10/50
D590,374 S *	4/2009	Madonna et al.	D14/218
D690,661 S *	10/2013	Wisniewski et al.	D13/162
D693,314 S *	11/2013	McKeage et al.	D13/162
D694,195 S *	11/2013	Gammon et al.	D13/162
D710,312 S *	8/2014	Branson et al.	D13/162

* cited by examiner

Primary Examiner — Selina Sikder

(74) *Attorney, Agent, or Firm* — Christopher & Weisberg, P.A.

(57) **CLAIM**

The ornamental design for a control panel, as shown and described.

DESCRIPTION

FIG. 1 is front perspective view of a control panel with a front panel door in a closed position;
 FIG. 2 is a front view thereof;
 FIG. 3 is a rear view of the control panel with a back panel door in a closed position;
 FIG. 4 is a right side view thereof;
 FIG. 5 is a left side view thereof;
 FIG. 6 is a bottom view thereof;
 FIG. 7 is a top view thereof;
 FIG. 8 is a front perspective view of the control panel with the front panel door in an alternate open position;
 FIG. 9 is a rear perspective view of the control panel with the back panel door in an alternate open position; and,
 FIG. 10 is a rear perspective view of the control panel with the back panel removed.

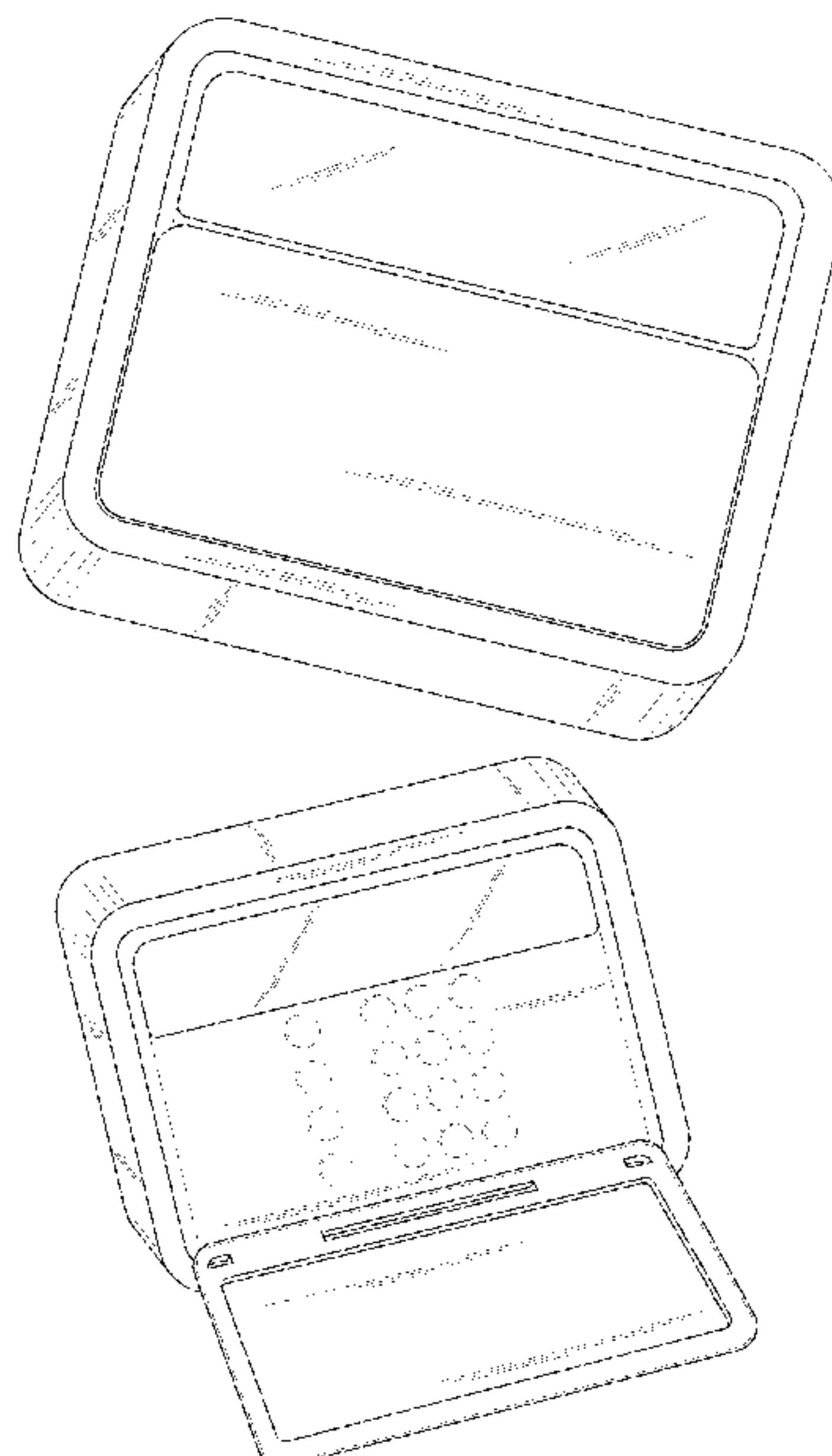
The broken lines in FIG. 8 form no part of the claimed design.

1 Claim, 8 Drawing Sheets

(56) **References Cited**

U.S. PATENT DOCUMENTS

D236,719 S *	9/1975	Sparks et al.	D10/106.95
D272,433 S *	1/1984	Trabucchi et al.	D13/164
D273,466 S *	4/1984	Lawrence et al.	D10/50
D282,463 S *	2/1986	Barr et al.	D14/140
D311,170 S *	10/1990	Mayo et al.	D13/164
D381,960 S *	8/1997	Chandler	D13/164



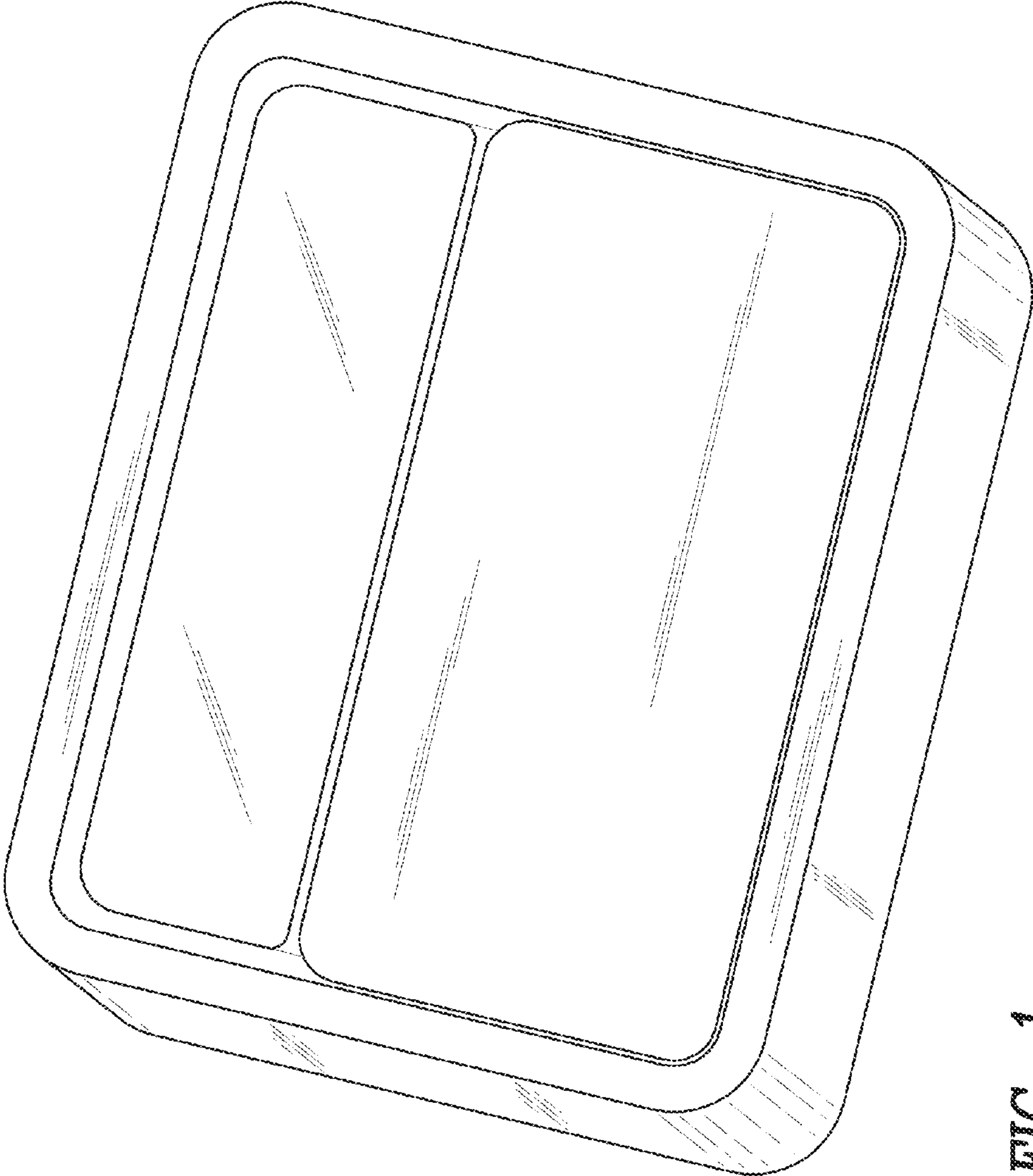


FIG. 1

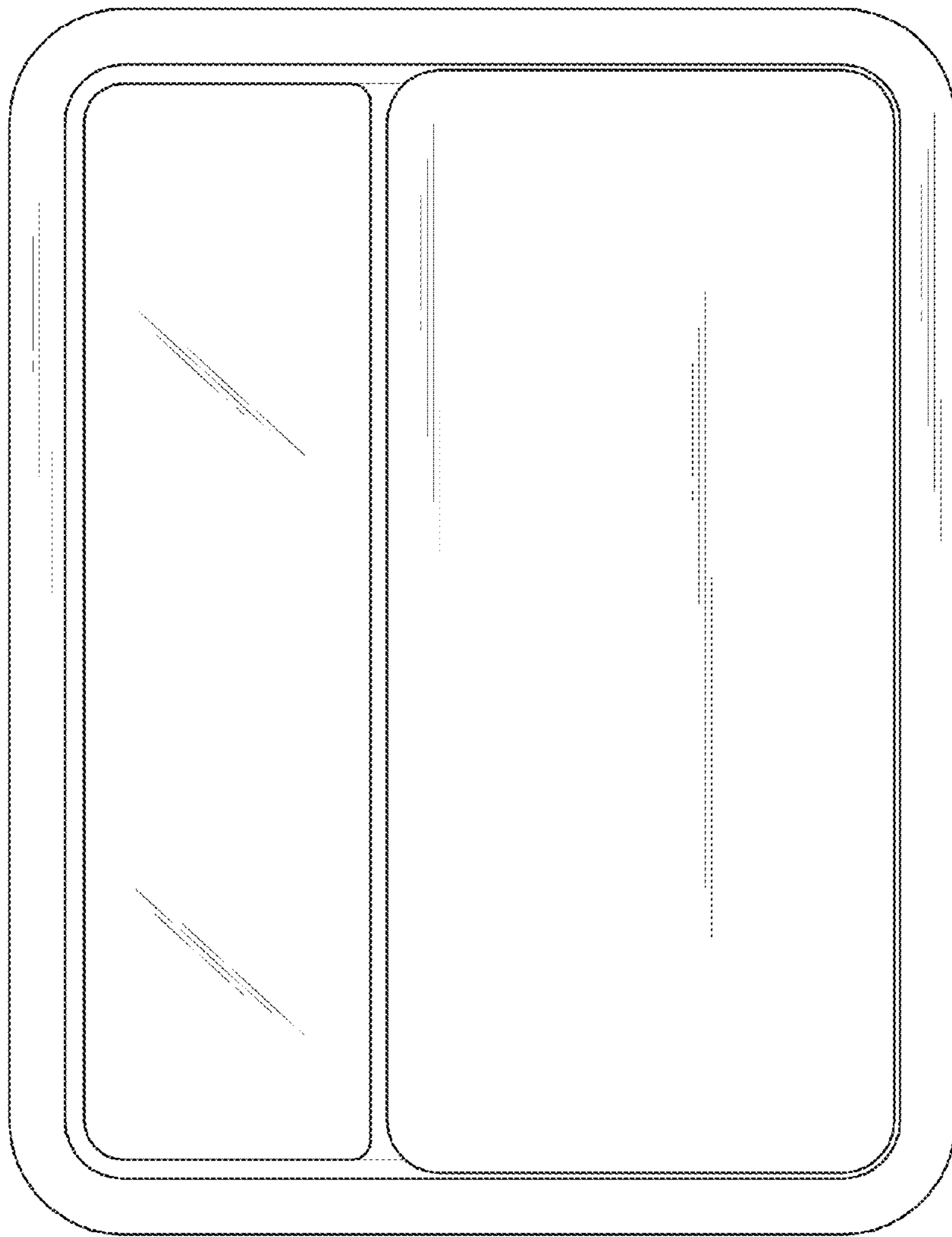


FIG. 2

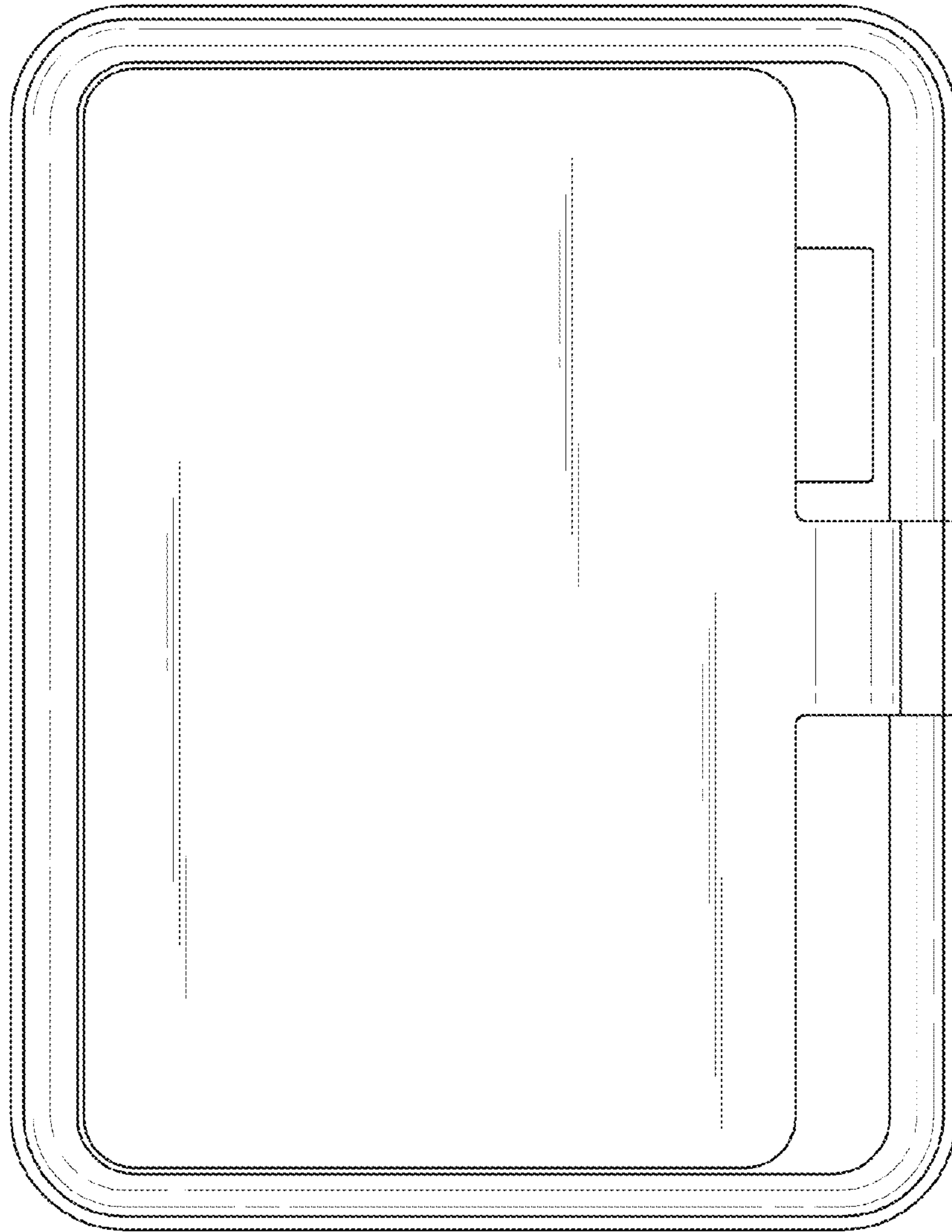


FIG. 3



FIG. 4

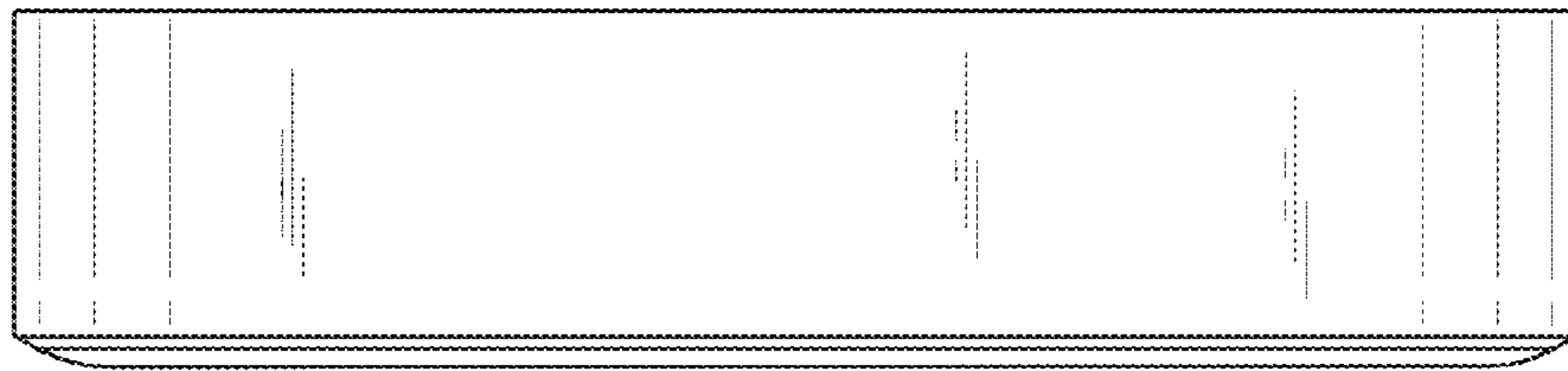


FIG. 5

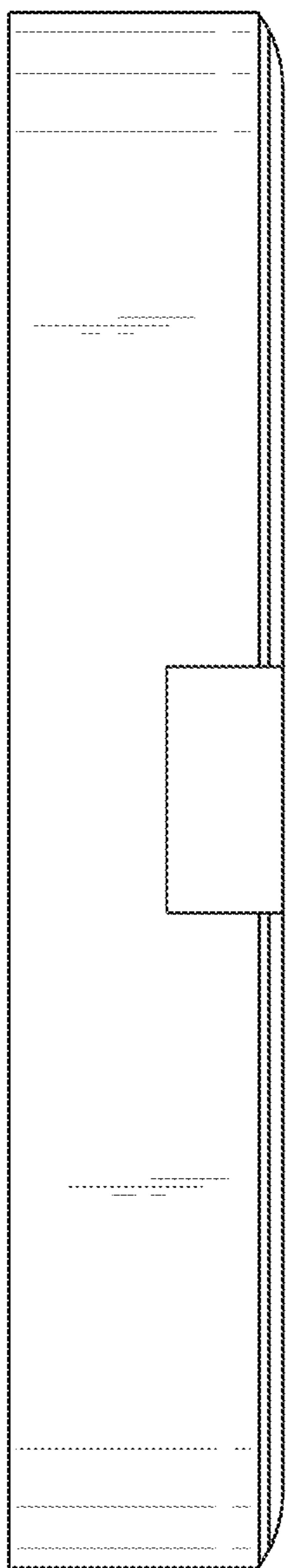


FIG. 6

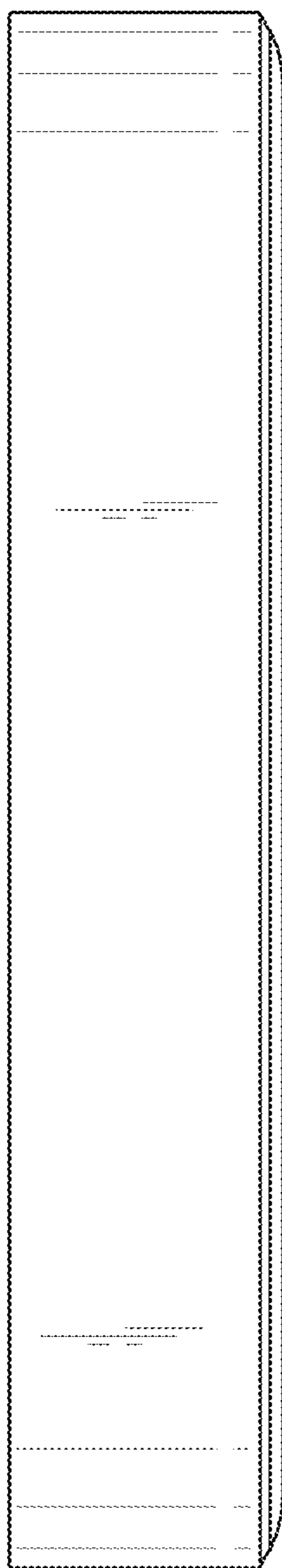


FIG. 7

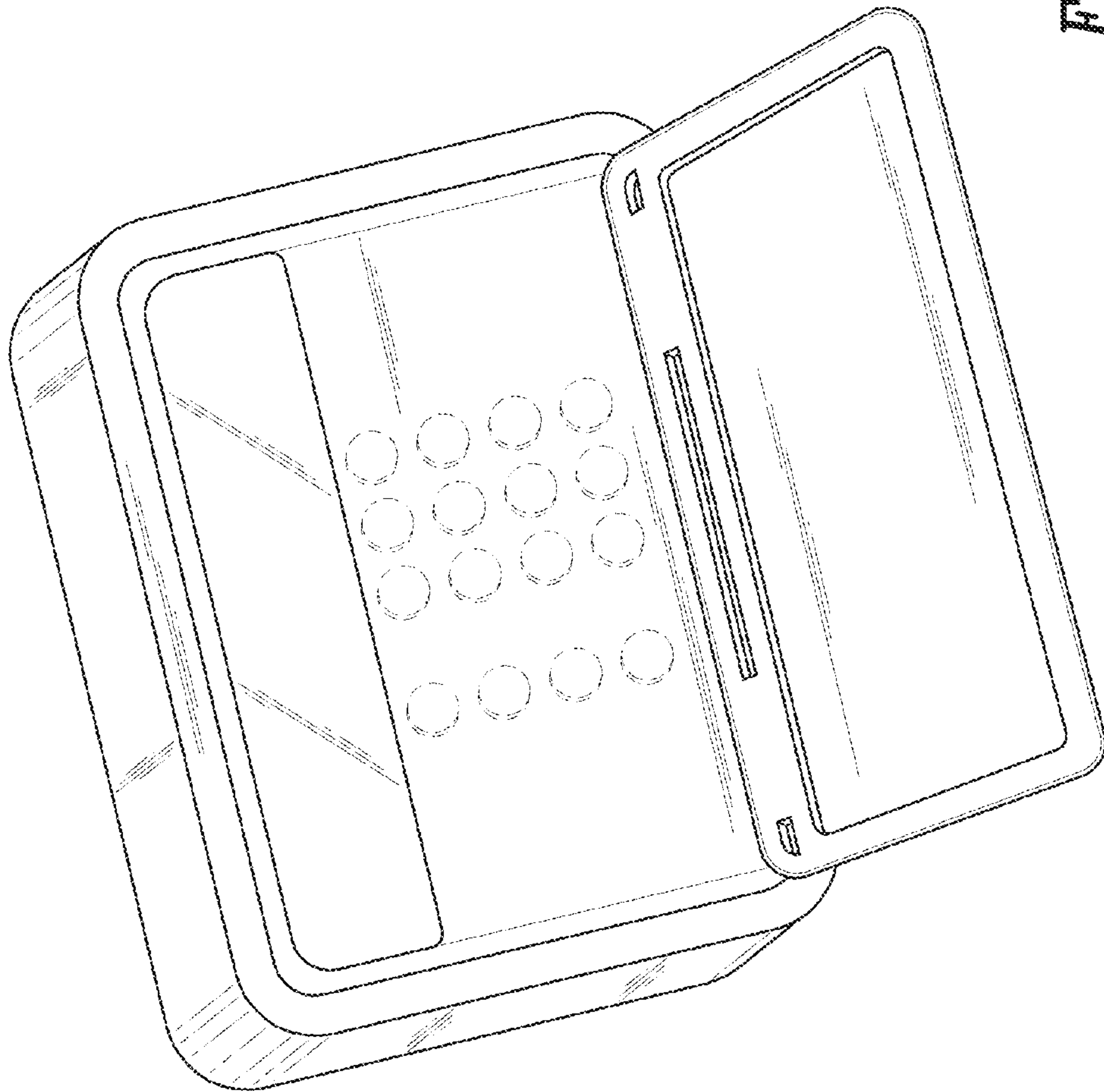


FIG. 8

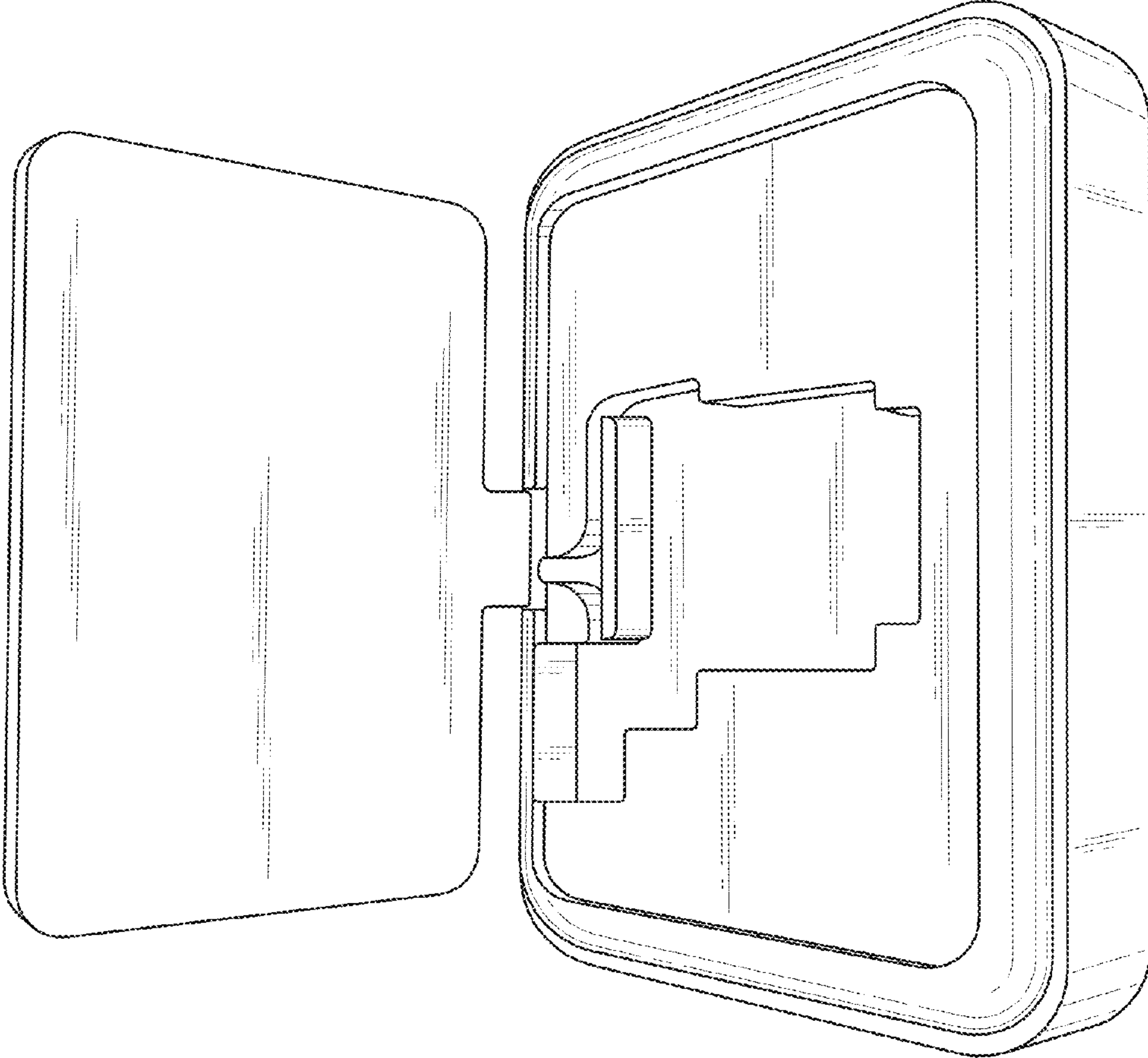


FIG. 9

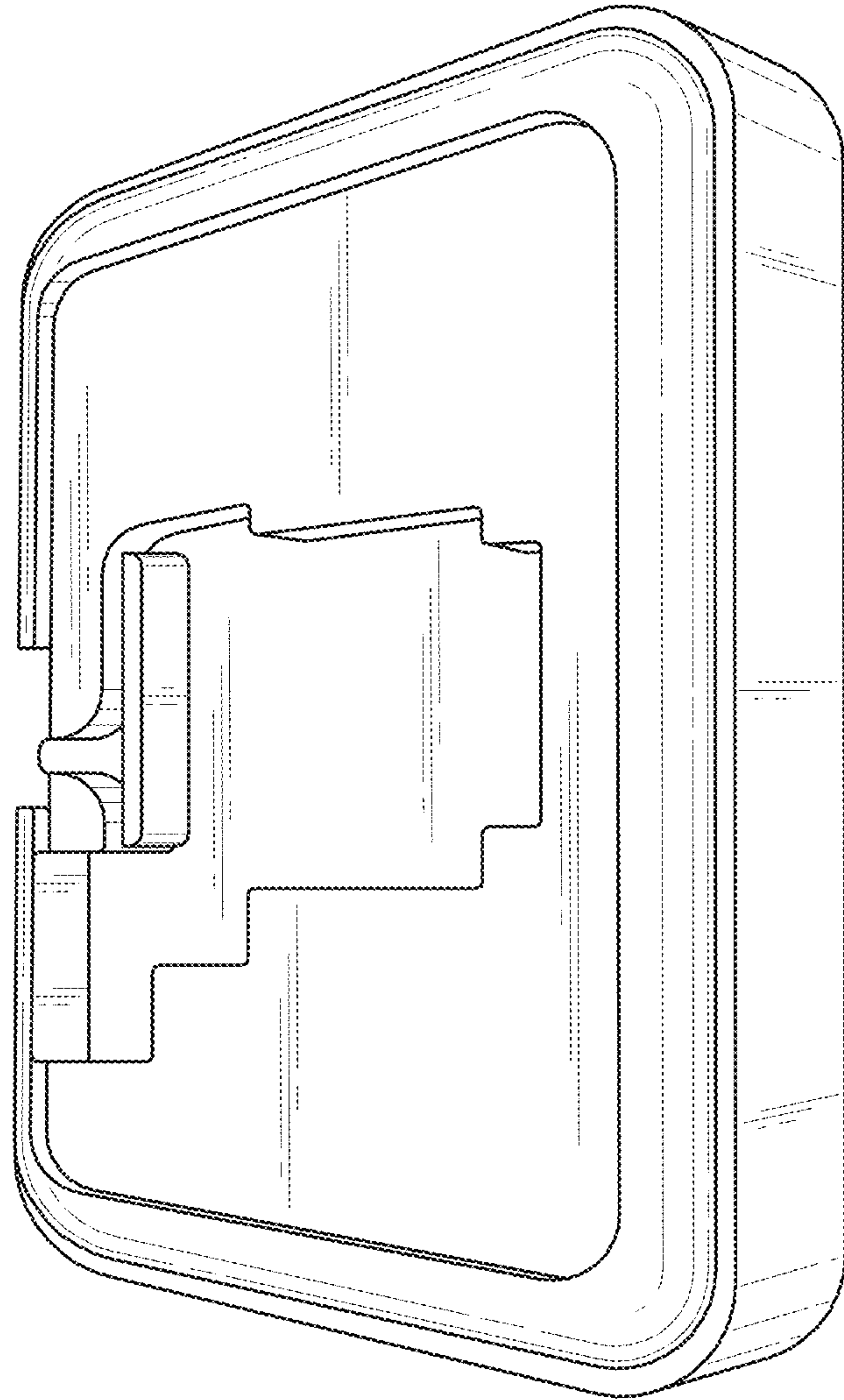


FIG. 10