



US00D718720S

(12) **United States Design Patent**  
**Rader et al.**

(10) **Patent No.:** **US D718,720 S**  
(45) **Date of Patent:** **\*\* Dec. 2, 2014**

- (54) **CONTROL PANEL WITH STAND**
- (71) Applicant: **ADT US Holdings, Inc.**, Boca Raton, FL (US)
- (72) Inventors: **Timothy Albert Rader**, Lake Worth, FL (US); **Anne-Marie Rouse**, Wellington, FL (US); **Diarmuid MacMahon**, Dublin (IE); **Mel Reynolds**, Wicklow (IE); **James Rennick**, Dublin (IE)
- (73) Assignee: **ADT US Holdings, Inc.**, Boca Raton, FL (US)
- (\*\*) Term: **14 Years**
- (21) Appl. No.: **29/469,732**
- (22) Filed: **Oct. 14, 2013**
- (51) **LOC (10) Cl.** ..... **13-03**
- (52) **U.S. Cl.**  
USPC ..... **D13/162**
- (58) **Field of Classification Search**  
USPC ..... D13/162, 168; D10/49, 50, 106.1, D10/106.6, 106.95; D14/217, 375, 447; D6/672, 682; 248/176.1, 176.3, 688; 340/508, 500, 540, 541, 550; 345/156; 361/679.01; 362/85, 561; 700/17, 83, 700/180, 276  
See application file for complete search history.

(56) **References Cited**

**U.S. PATENT DOCUMENTS**

D236,719	S	*	9/1975	Sparks et al.	.....	D10/106.95
D272,433	S	*	1/1984	Trabucchi et al.	.....	D13/164
D273,466	S	*	4/1984	Lawrence et al.	.....	D10/50
D282,463	S	*	2/1986	Barr et al.	.....	D14/140
D297,128	S	*	8/1988	Guscott et al.	.....	D10/106.1
D311,170	S	*	10/1990	Mayo et al.	.....	D13/164
5,072,330	A	*	12/1991	Fuqua	.....	361/679.01
D326,847	S	*	6/1992	Savio	.....	D14/375
D381,960	S	*	8/1997	Chandler	.....	D13/164

D390,134	S	*	2/1998	Ingebritson et al.	.....	D10/50
6,193,200	B1	*	2/2001	Kao	.....	248/309.1
D464,328	S	*	10/2002	Vasquez et al.	.....	D13/164
D556,700	S	*	12/2007	Igarashi	.....	D13/168
D558,152	S	*	12/2007	Tatsuyama et al.	.....	D13/162
D562,259	S	*	2/2008	Kosche	.....	D13/162
D581,879	S	*	12/2008	Dukerschein et al.	.....	D13/162
D582,802	S	*	12/2008	Branson et al.	.....	D10/50
D590,374	S	*	4/2009	Madonna et al.	.....	D14/218
7,681,859	B2	*	3/2010	Kim	.....	248/688
7,841,575	B1	*	11/2010	Sliger	.....	248/454
D630,618	S	*	1/2011	Kim et al.	.....	D14/218
D637,583	S	*	5/2011	Beal et al.	.....	D14/217
D690,661	S	*	10/2013	Wisniewski et al.	.....	D13/162
D693,314	S	*	11/2013	McKeage et al.	.....	D13/162
D694,195	S	*	11/2013	Gammon et al.	.....	D13/162
D710,312	S	*	8/2014	Branson et al.	.....	D13/162

(Continued)

*Primary Examiner* — Selina Sikder

(74) *Attorney, Agent, or Firm* — Christopher & Weisberg, P.A.

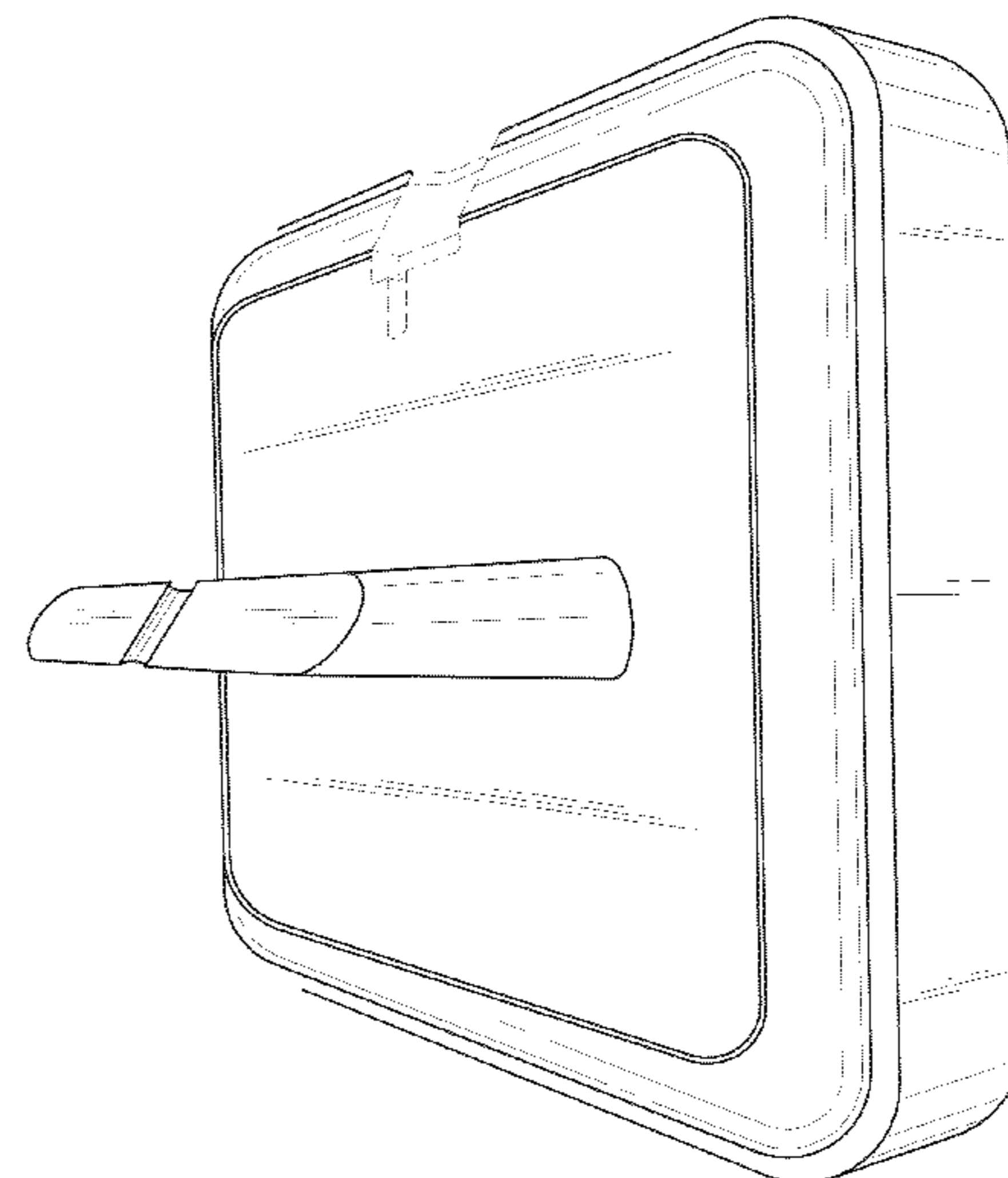
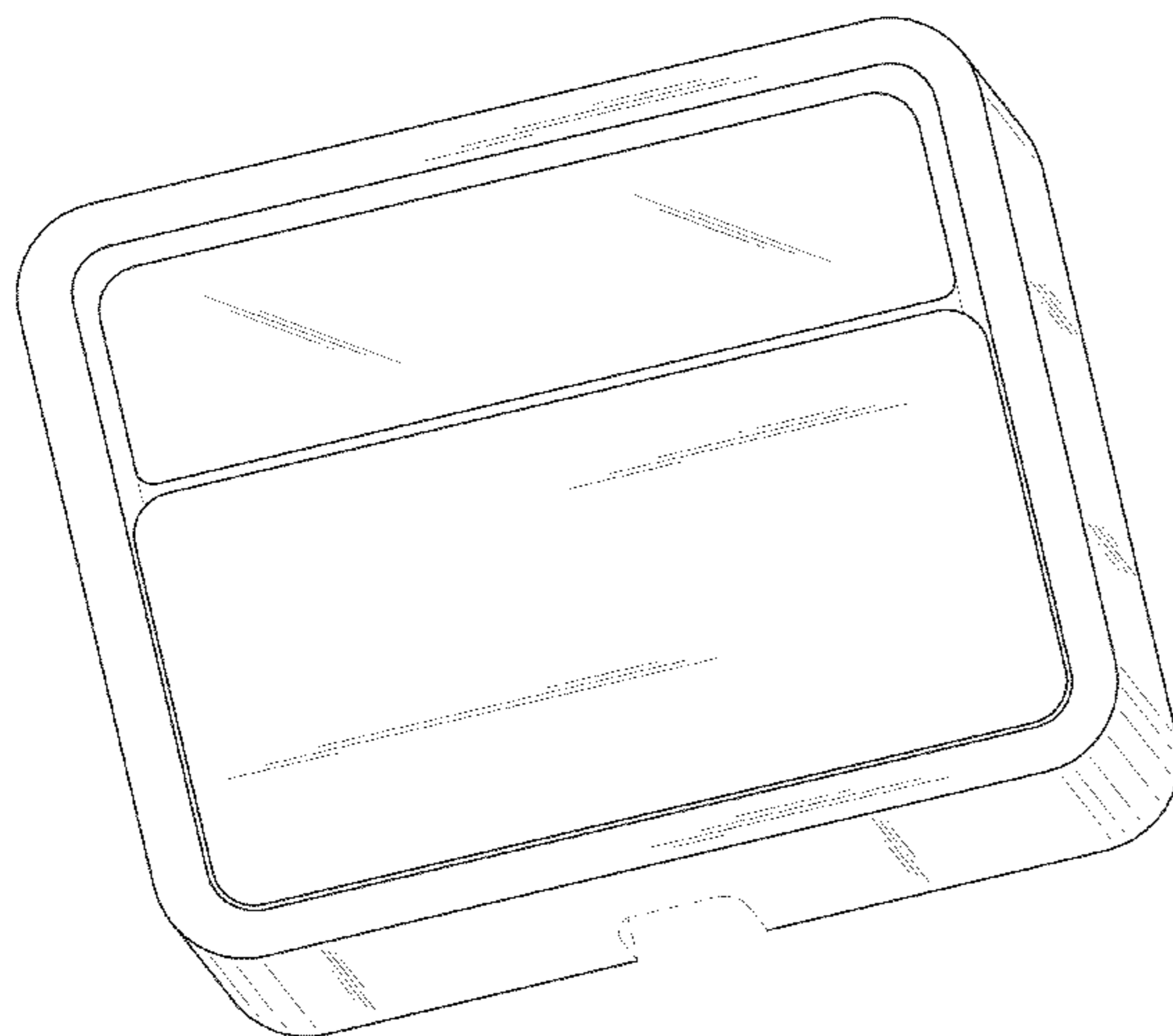
(57) **CLAIM**

The ornamental design for a control panel with stand, as shown.

**DESCRIPTION**

FIG. 1 is front perspective view of a control panel with stand having a front panel door in a closed position;  
 FIG. 2 is a front view thereof;  
 FIG. 3 is a rear view thereof;  
 FIG. 4 is a right side view thereof;  
 FIG. 5 is a left side view thereof;  
 FIG. 6 is a bottom view thereof;  
 FIG. 7 is a top view thereof;  
 FIG. 8 is a rear-right side perspective view thereof; and,  
 FIG. 9 is a front perspective view of the control panel with stand having the front panel door in an alternate open position.  
 The broken lines in FIGS. 1, 3, 6, 8 and 9 form no part of the claimed design.

**1 Claim, 8 Drawing Sheets**



# US D718,720 S

Page 2

---

(56)

## References Cited

### U.S. PATENT DOCUMENTS

2010/0171671 A1*	7/2010	Park .....	343/720			
2011/0215217 A1*	9/2011	De La Garza .....	248/397			
2012/0006950 A1*	1/2012	Vandiver .....	248/176.3			
2012/0168577 A1*	7/2012	Cheng .....	248/176.3			
2013/0175426 A1*	7/2013	Harjani et al. ....	248/688			
2014/0191106 A1*	7/2014	Le Gette et al. ....	248/688			

\* cited by examiner

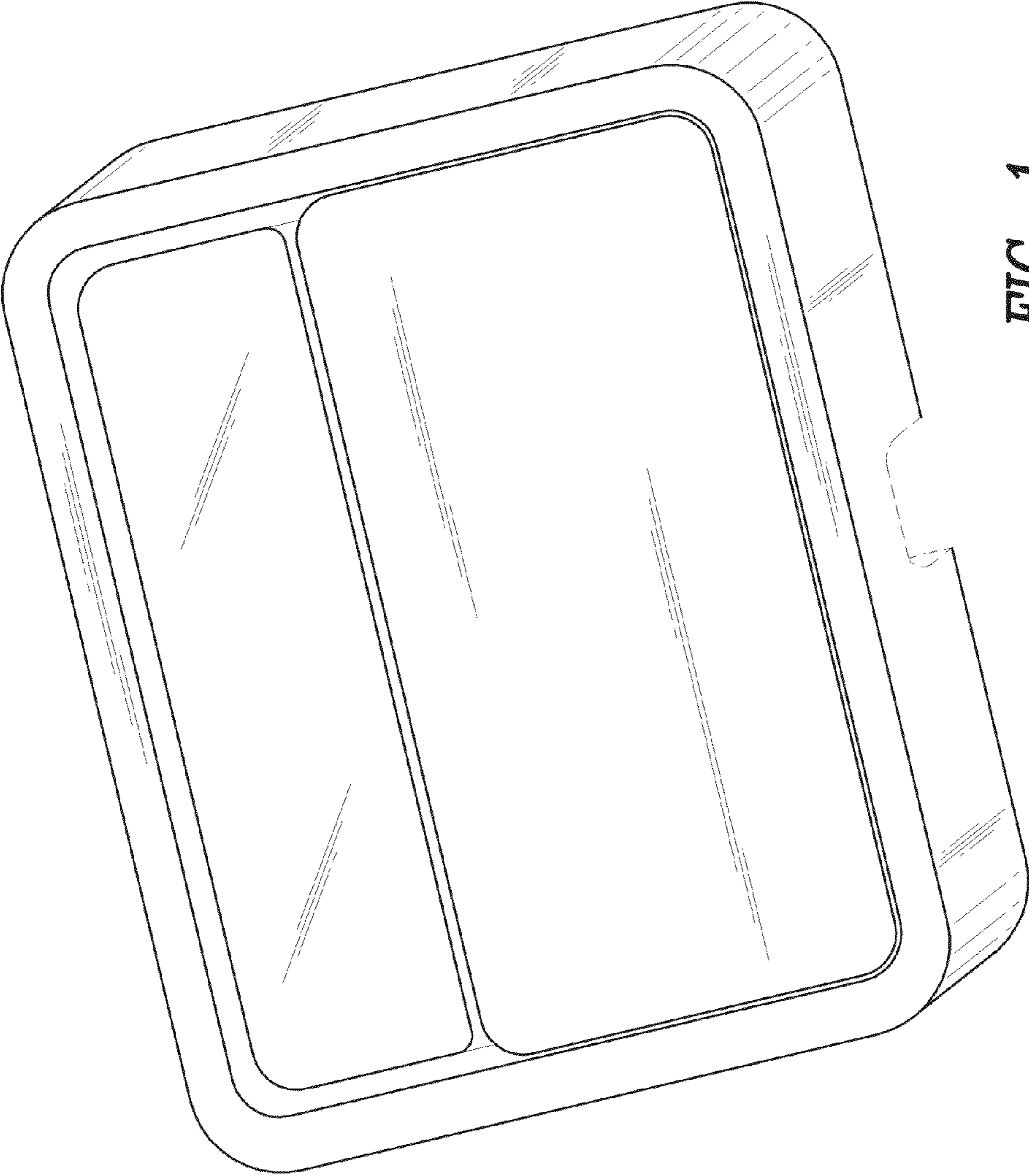
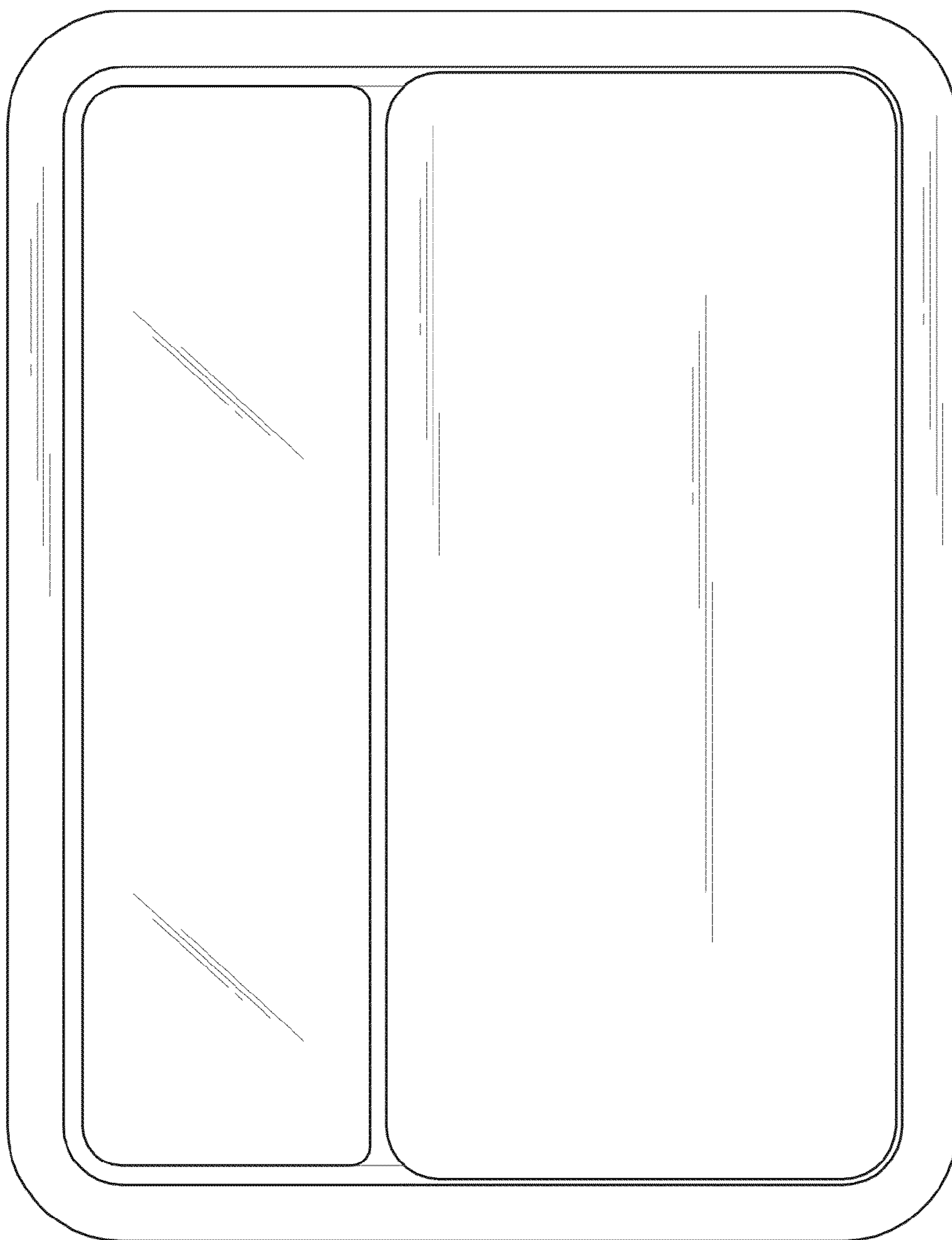


FIG. 1



*FIG. 2*



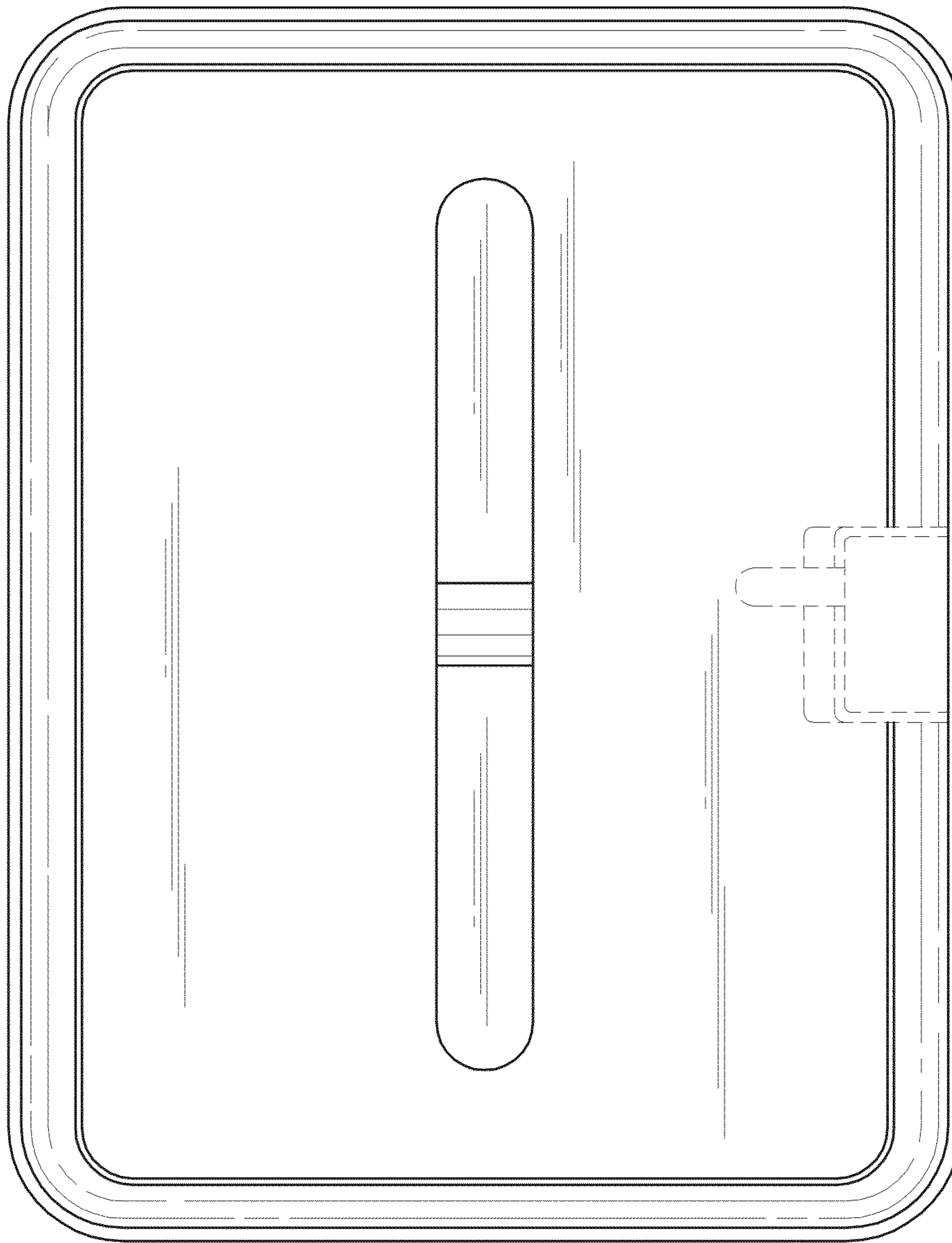
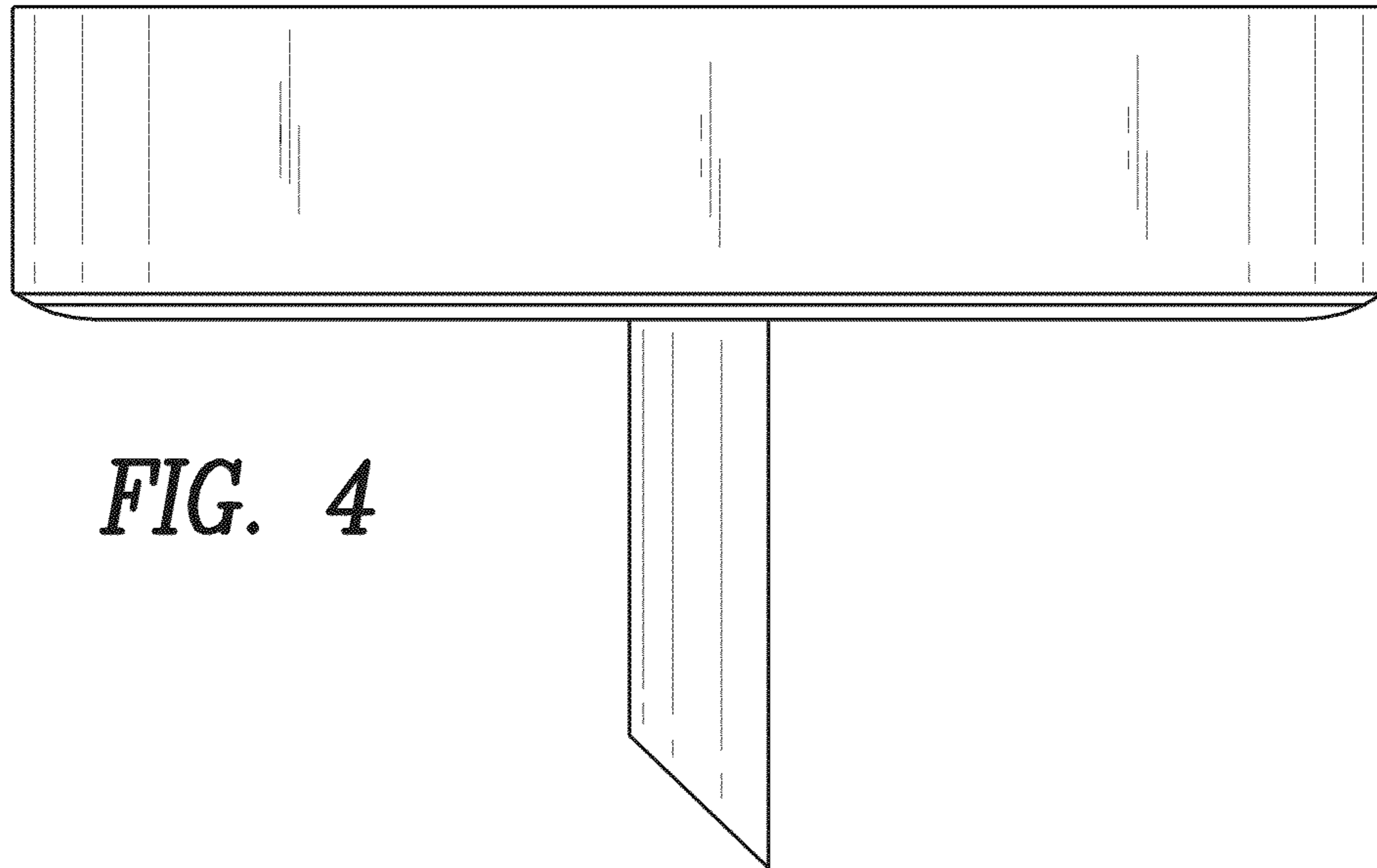
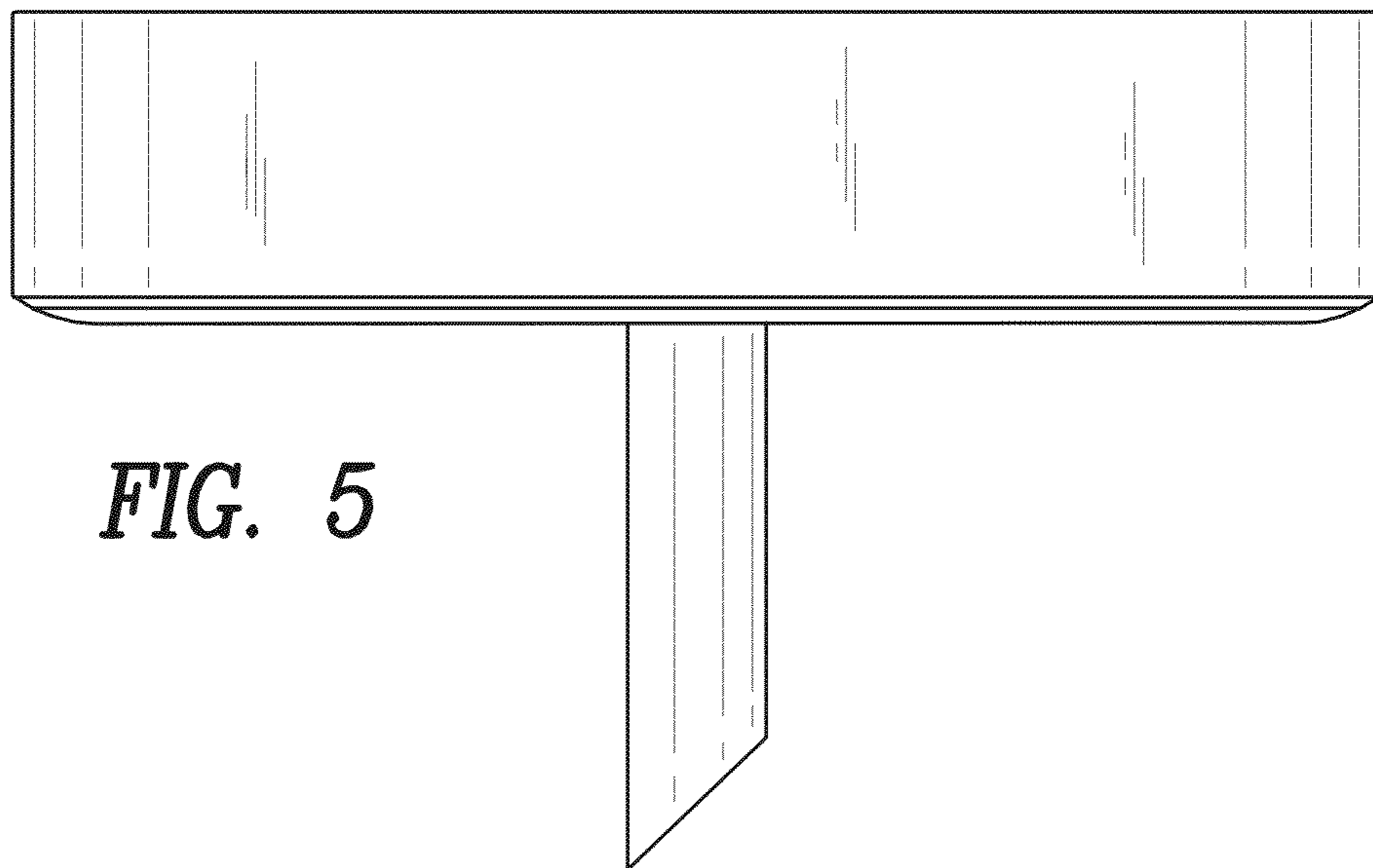


FIG. 3



*FIG. 4*



*FIG. 5*

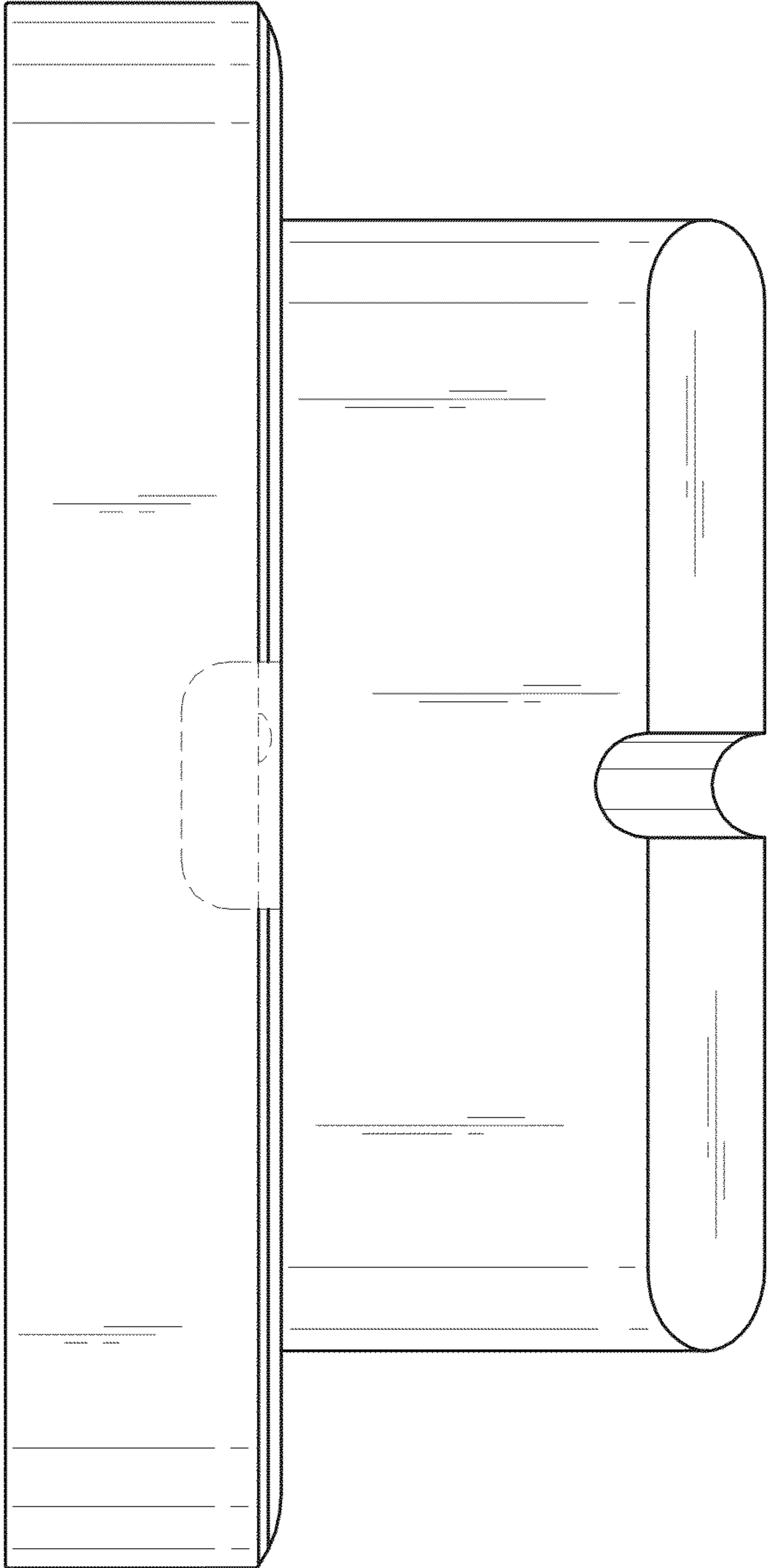


FIG. 6

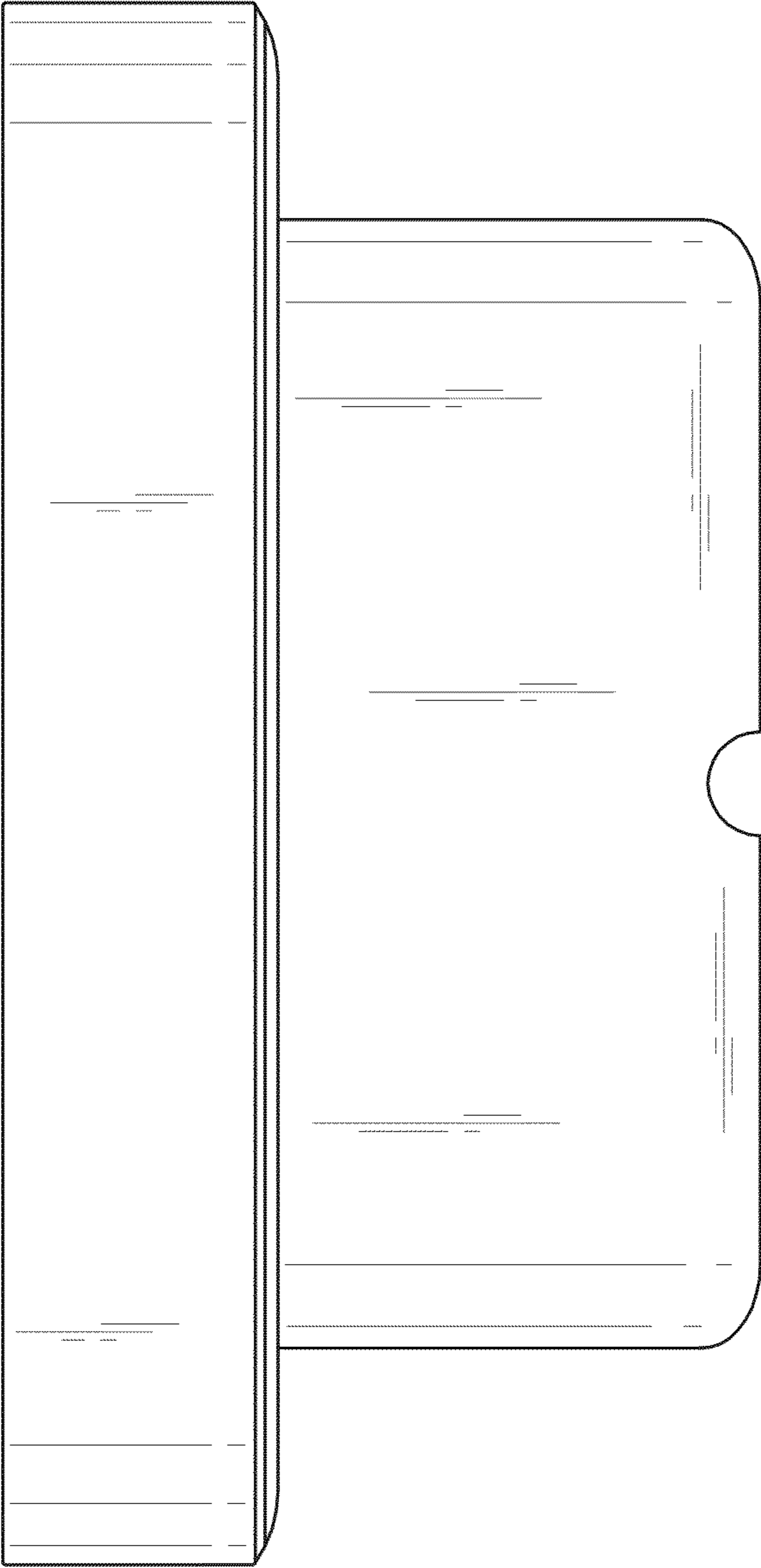


FIG. 7



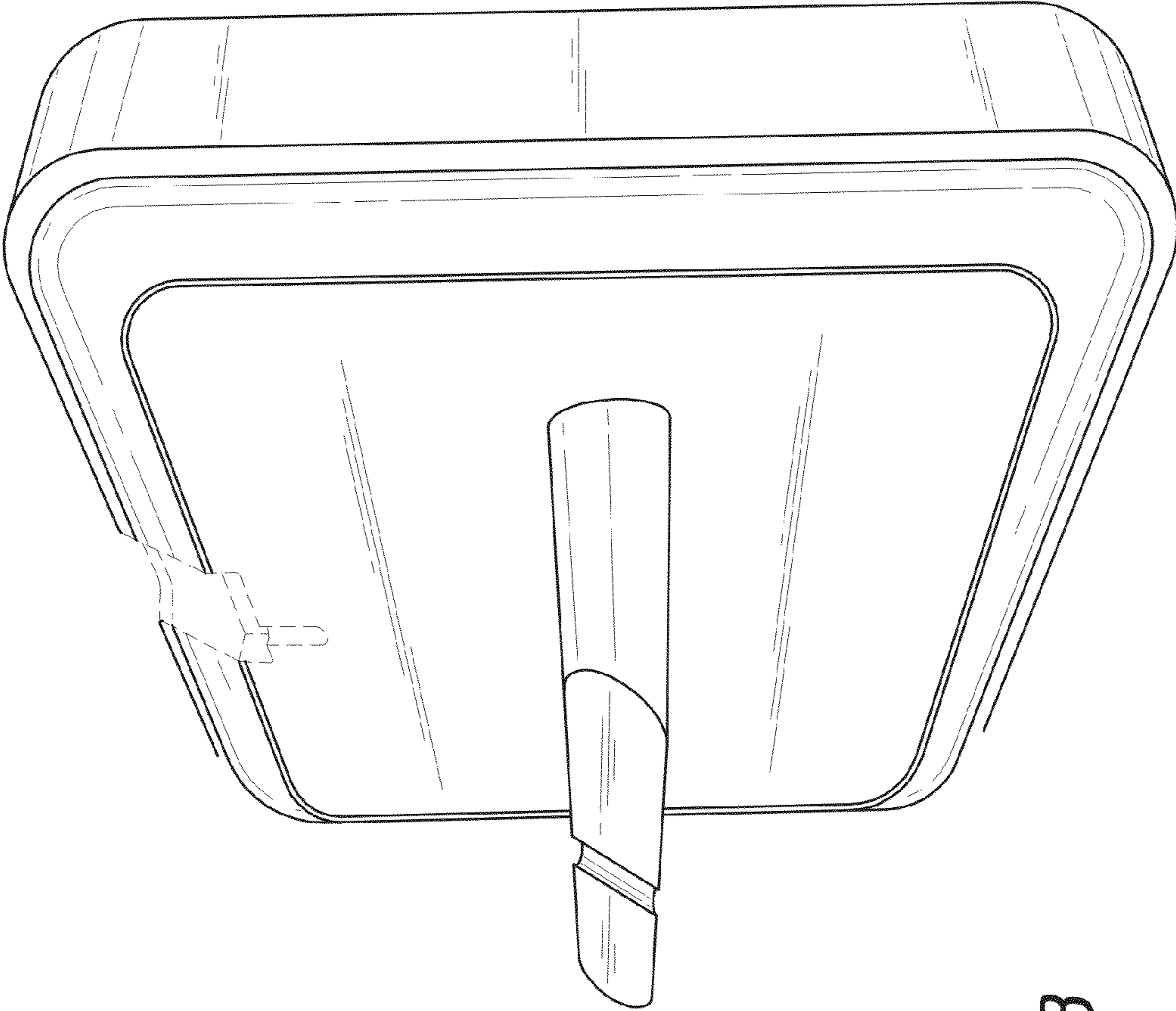


FIG. 8

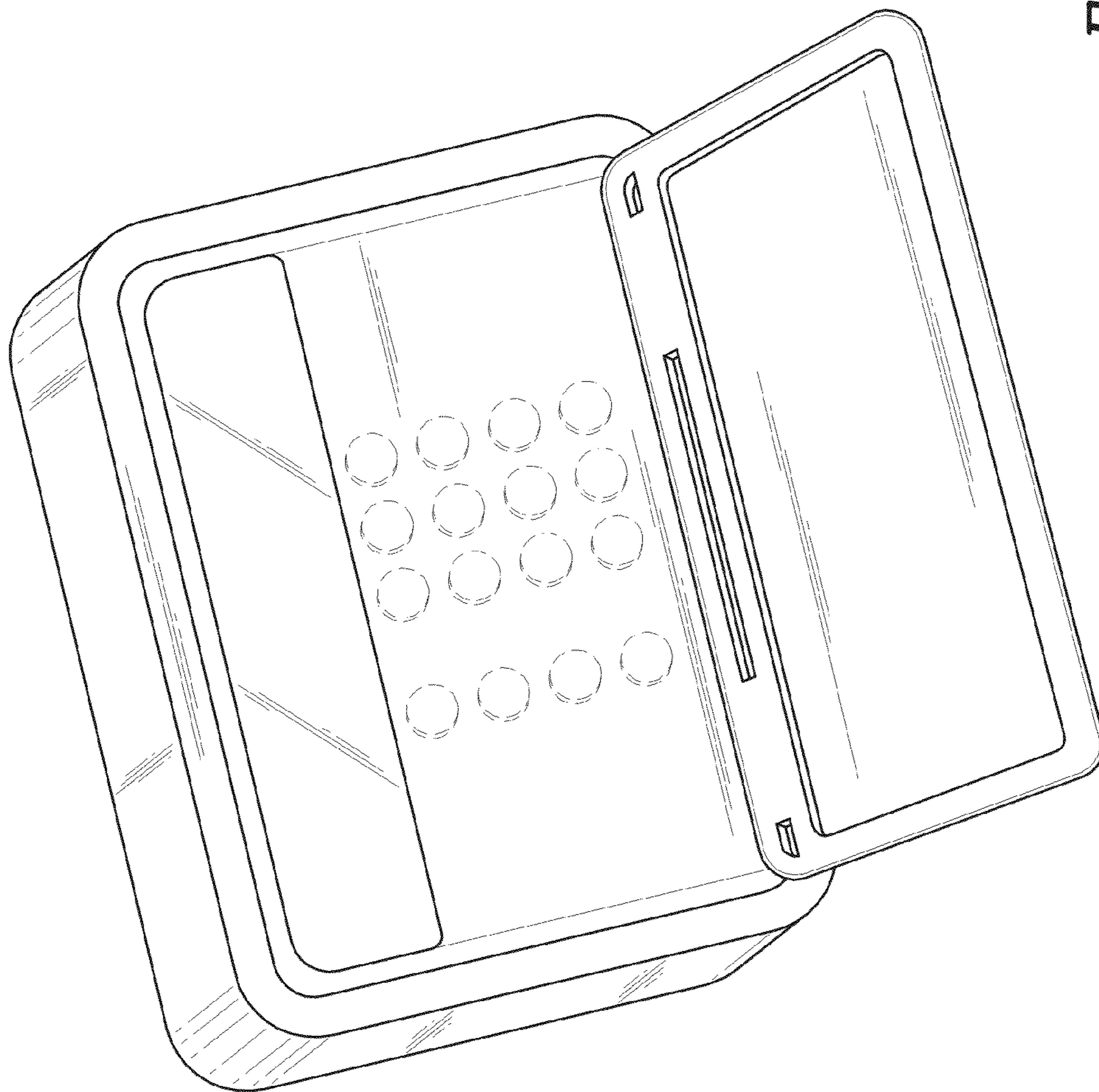


FIG. 9