



US00D718719S

(12) **United States Design Patent**  
**Masumoto et al.**

(10) **Patent No.:** **US D718,719 S**  
(45) **Date of Patent:** **\*\* Dec. 2, 2014**

(54) **ELECTRICAL CONNECTOR**

(71) Applicant: **Japan Aviation Electronics Industry, Limited**, Tokyo (JP)

(72) Inventors: **Toshio Masumoto**, Tokyo (JP); **Yuichi Saito**, Tokyo (JP); **Yoshihide Kuroki**, Tokyo (JP)

(73) Assignee: **Japan Aviation Electronics Industry, Limited**, Tokyo (JP)

(\*\*) Term: **14 Years**

(21) Appl. No.: **29/448,688**

(22) Filed: **Mar. 13, 2013**

(30) **Foreign Application Priority Data**

Sep. 28, 2012 (JP) ..... 2012-023845  
Sep. 28, 2012 (JP) ..... 2012-023848

(51) **LOC (10) Cl.** ..... **13-03**

(52) **U.S. Cl.**  
USPC ..... **D13/147**

(58) **Field of Classification Search**  
USPC ..... D13/147, 154, 184, 199; 439/79, 108, 439/180, 246, 374, 378, 488, 527, 529, 530, 439/533, 567, 607.1, 607.4, 607.5, 607.17, 439/607.25, 607.34, 607.41, 607.53, 668, 439/680, 892, 894

See application file for complete search history.

(56) **References Cited**

U.S. PATENT DOCUMENTS

D608,738	S	*	1/2010	Wang et al.	.....	D13/147
D614,578	S	*	4/2010	Wang et al.	.....	D13/147
D626,919	S	*	11/2010	Wang et al.	.....	D13/147
D628,538	S	*	12/2010	Wang et al.	.....	D13/147
D636,733	S	*	4/2011	Wang et al.	.....	D13/147
D654,439	S	*	2/2012	Sasaki	.....	D13/147

\* cited by examiner

*Primary Examiner* — Daniel Bui

(74) *Attorney, Agent, or Firm* — Westerman, Hattori, Daniels & Adrian, LLP

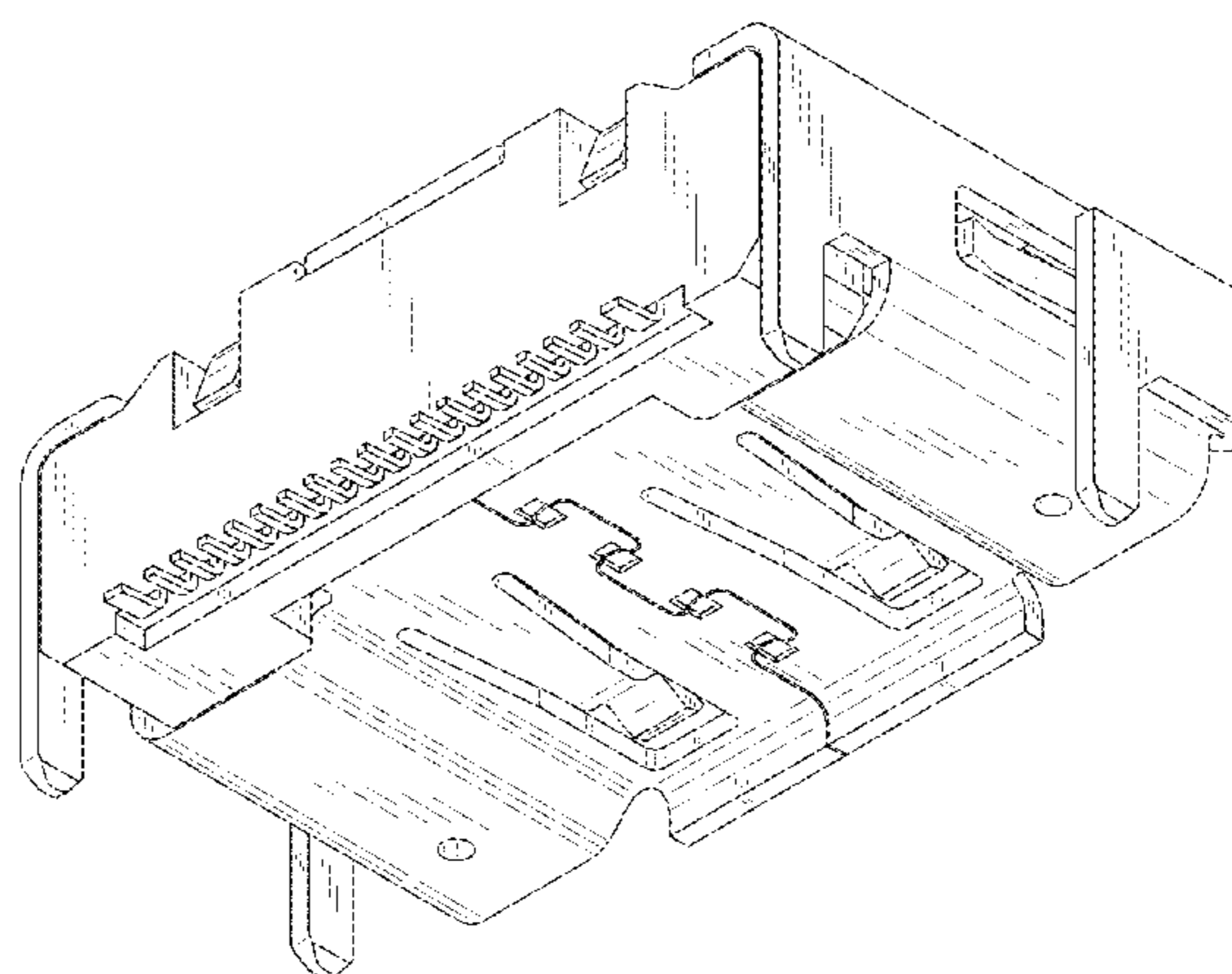
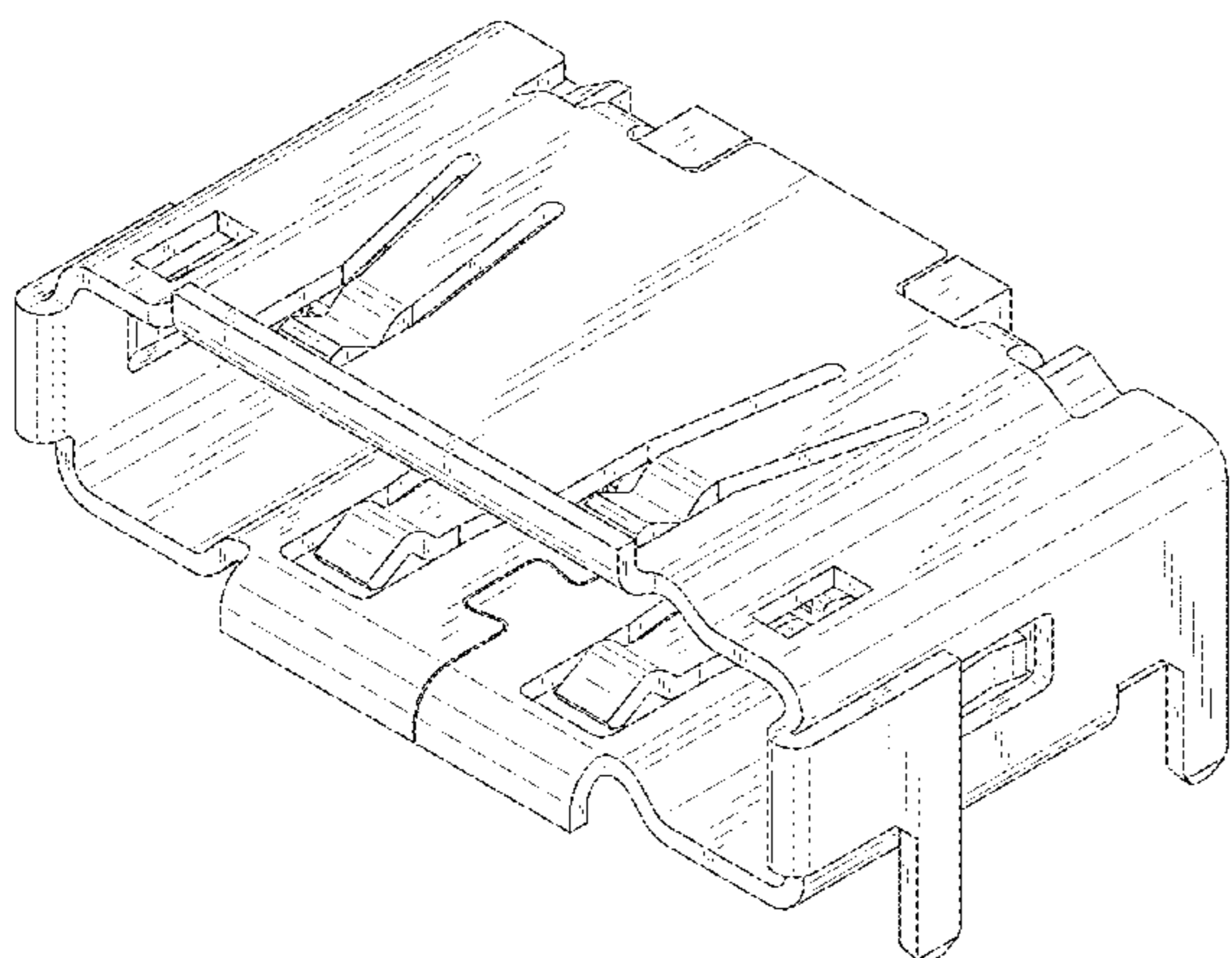
(57) **CLAIM**

The ornamental design for an electrical connector, as shown and described.

**DESCRIPTION**

FIG. 1 is a front elevation view of an electrical connector, showing our new design;  
FIG. 2 is a rear elevation view thereof;  
FIG. 3 is a right side elevation view thereof;  
FIG. 4 is a left side elevation view thereof;  
FIG. 5 is a top plan view thereof;  
FIG. 6 is a bottom plan view thereof;  
FIG. 7 is a front, top, and right side perspective view thereof;  
FIG. 8 is a rear, bottom, and left side perspective view thereof;  
FIG. 9 is a front, bottom, and right side perspective view thereof; and,  
FIG. 10 is a rear, top, and left side perspective view thereof.  
The broken line in the drawing is included to show unclaimed environment only and forms no part of the claimed design.

**1 Claim, 10 Drawing Sheets**



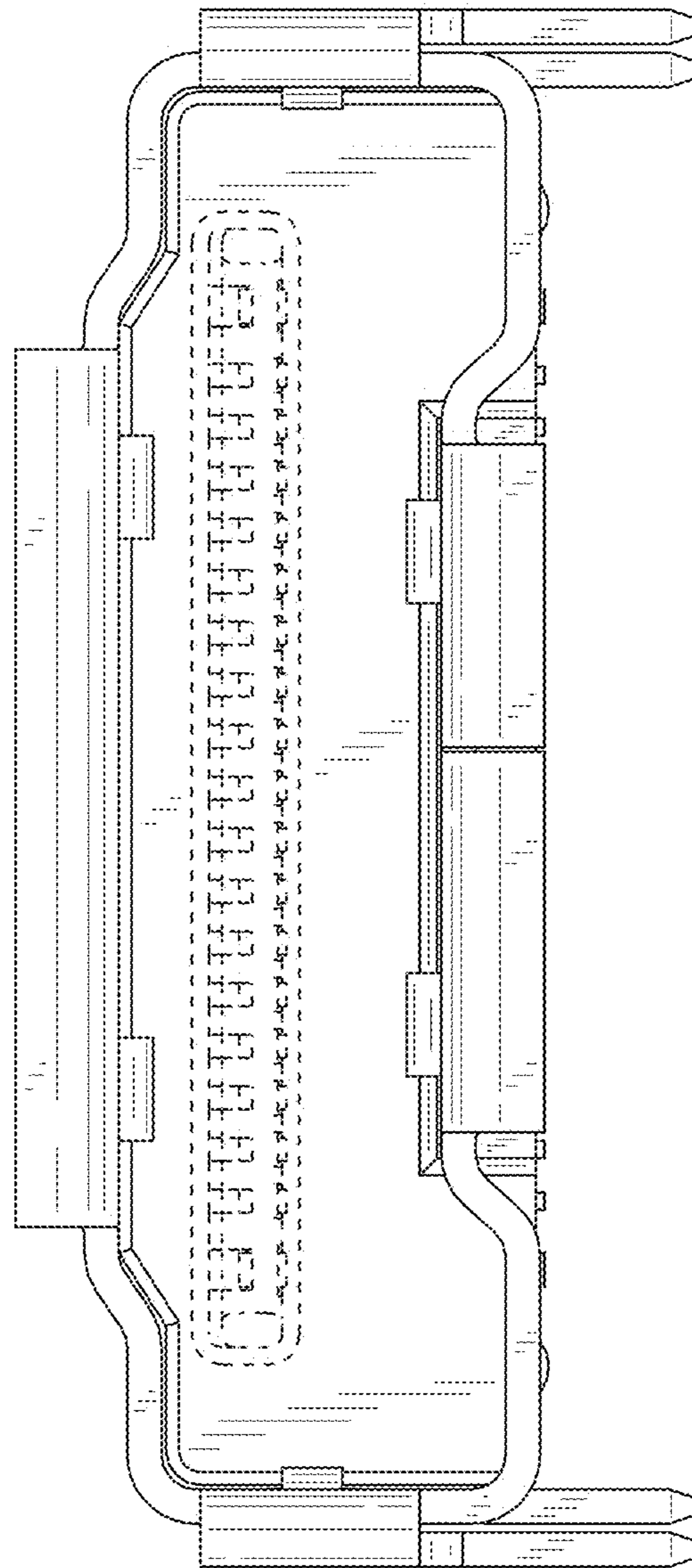


FIG.1

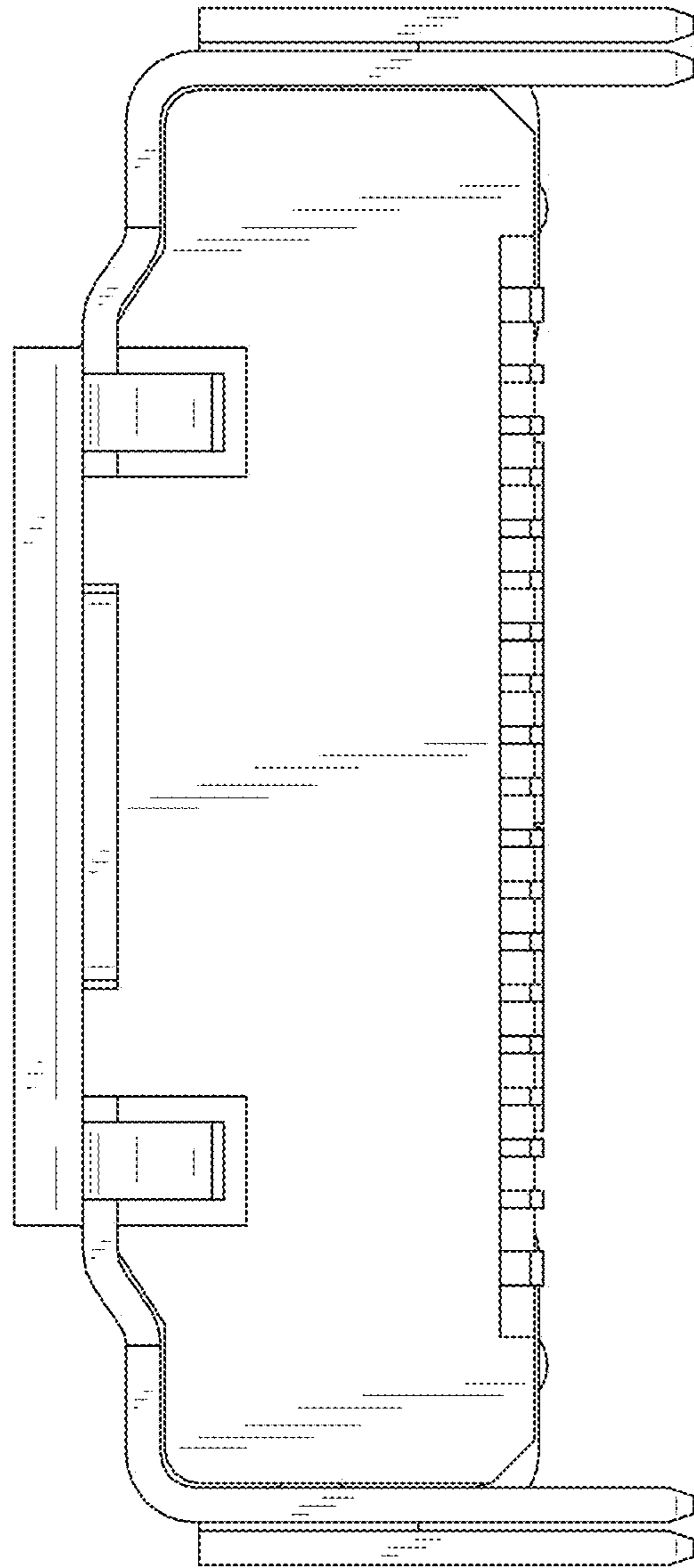


FIG.2

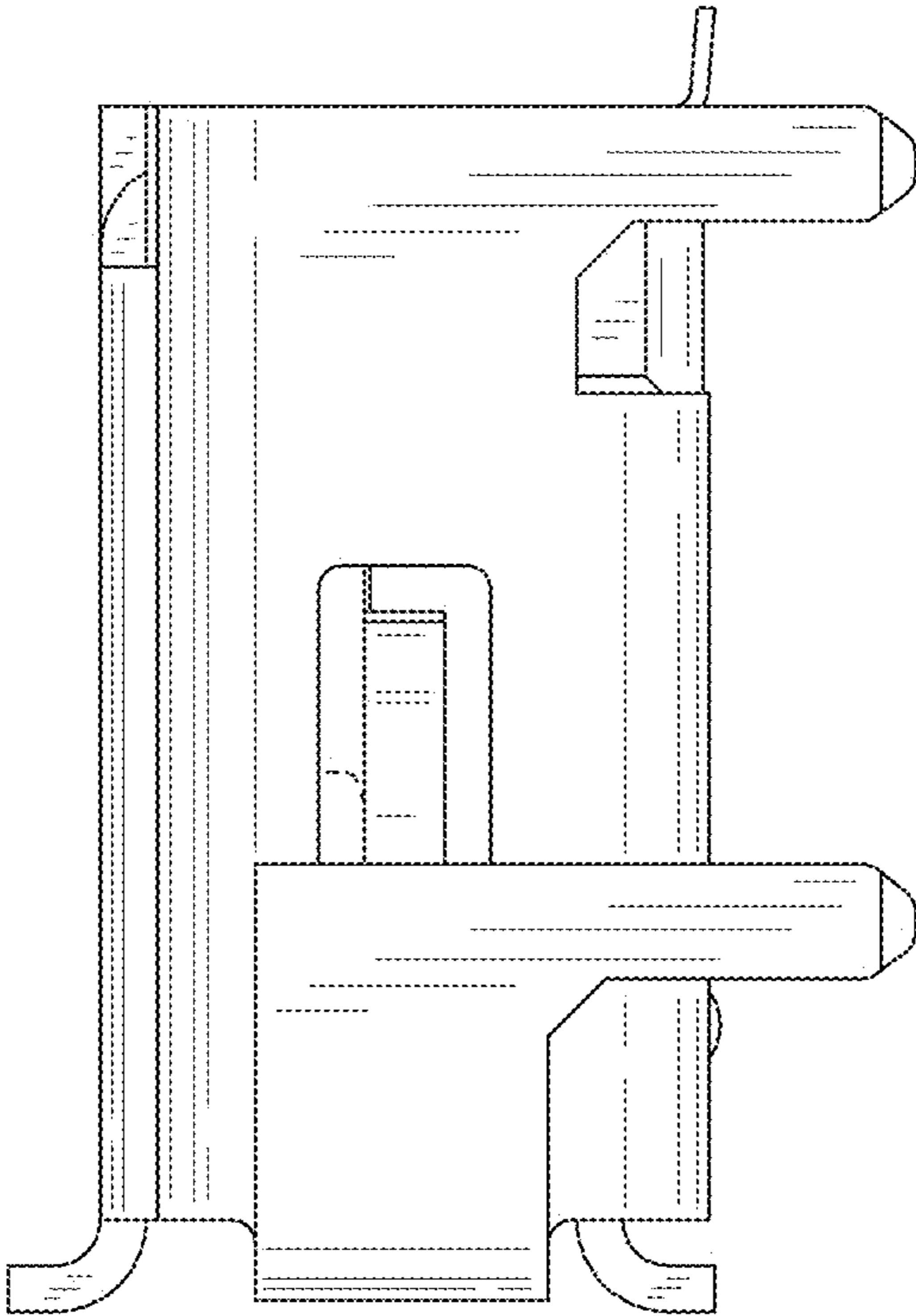


FIG. 3

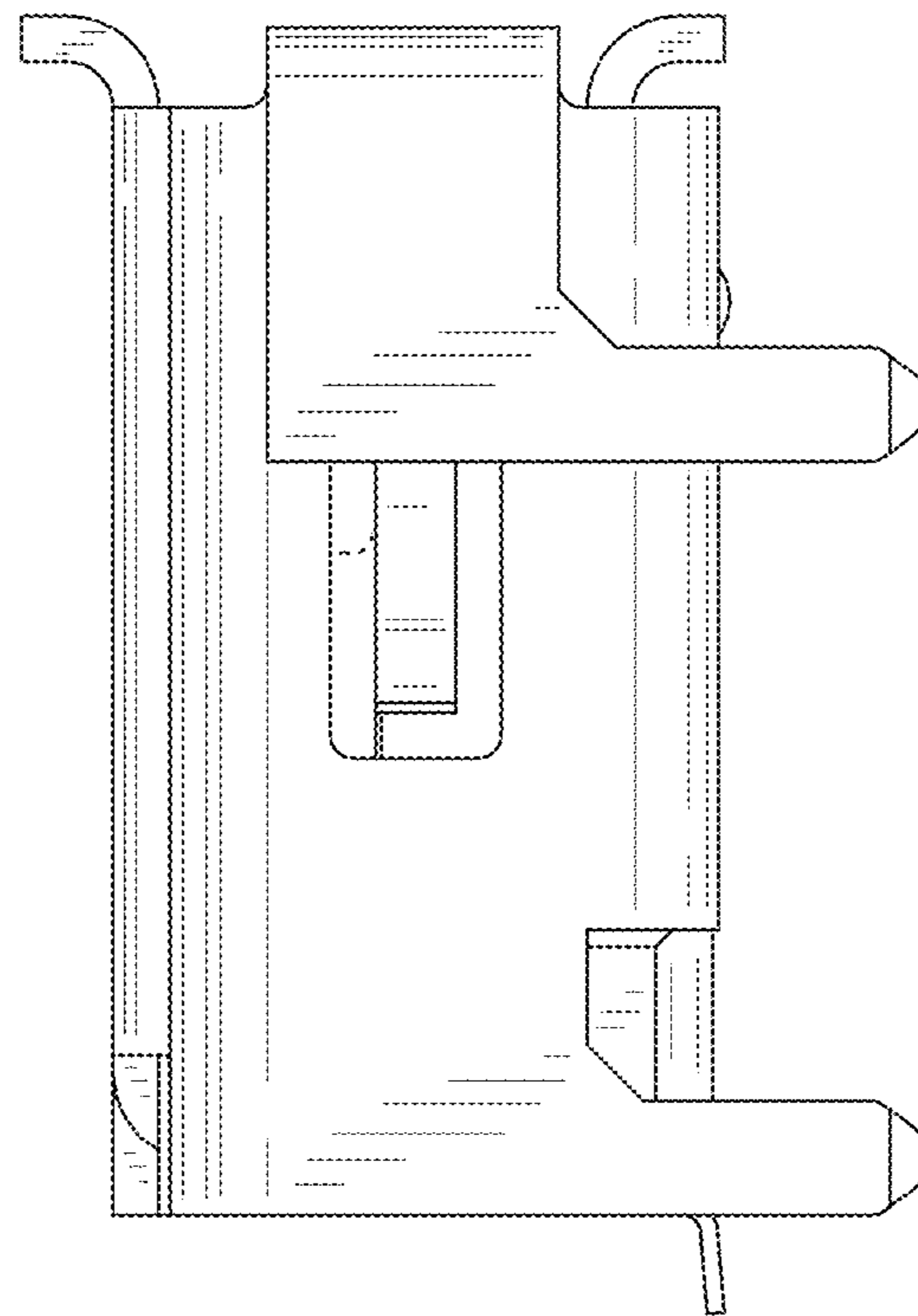


FIG.4

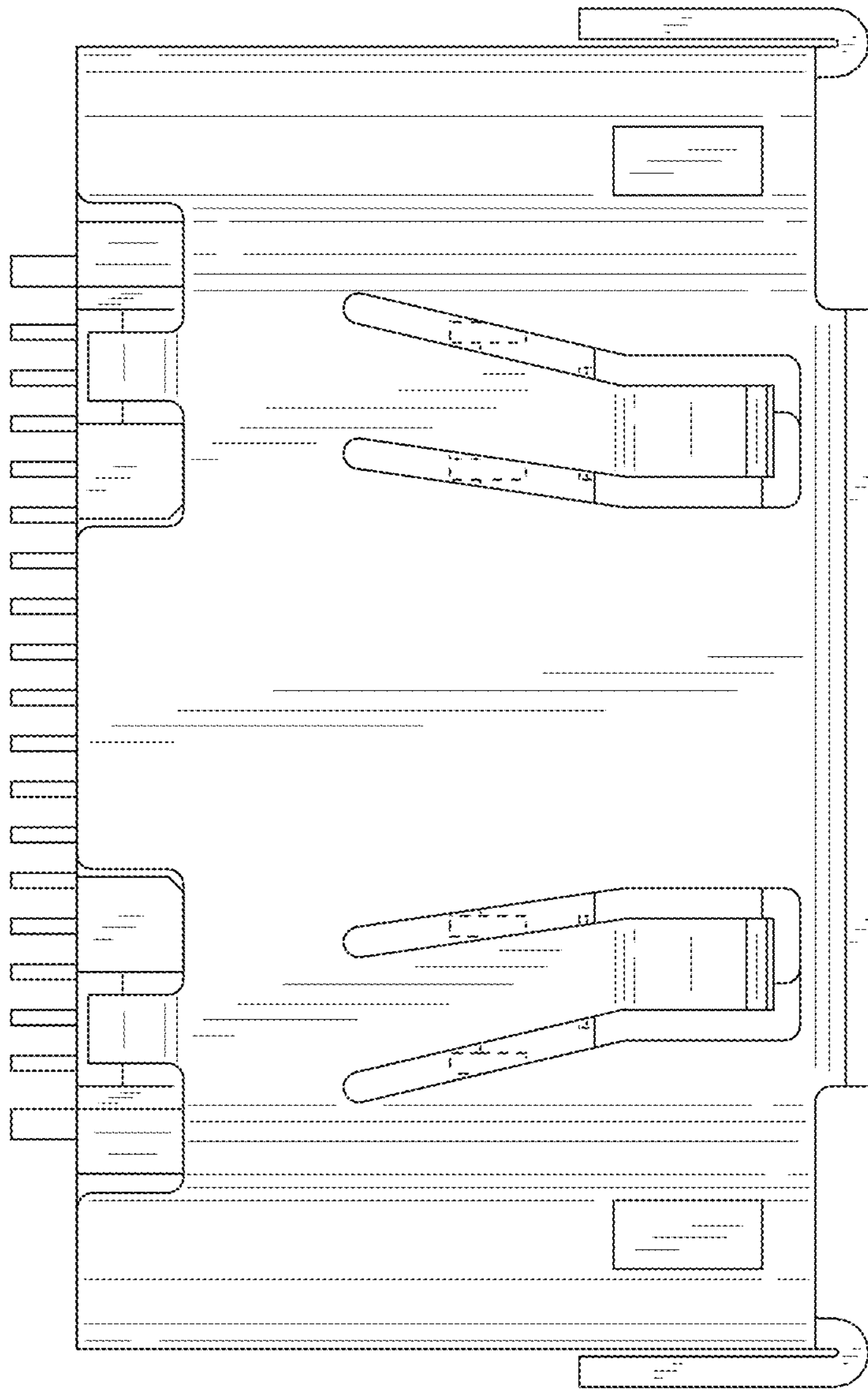


FIG. 5

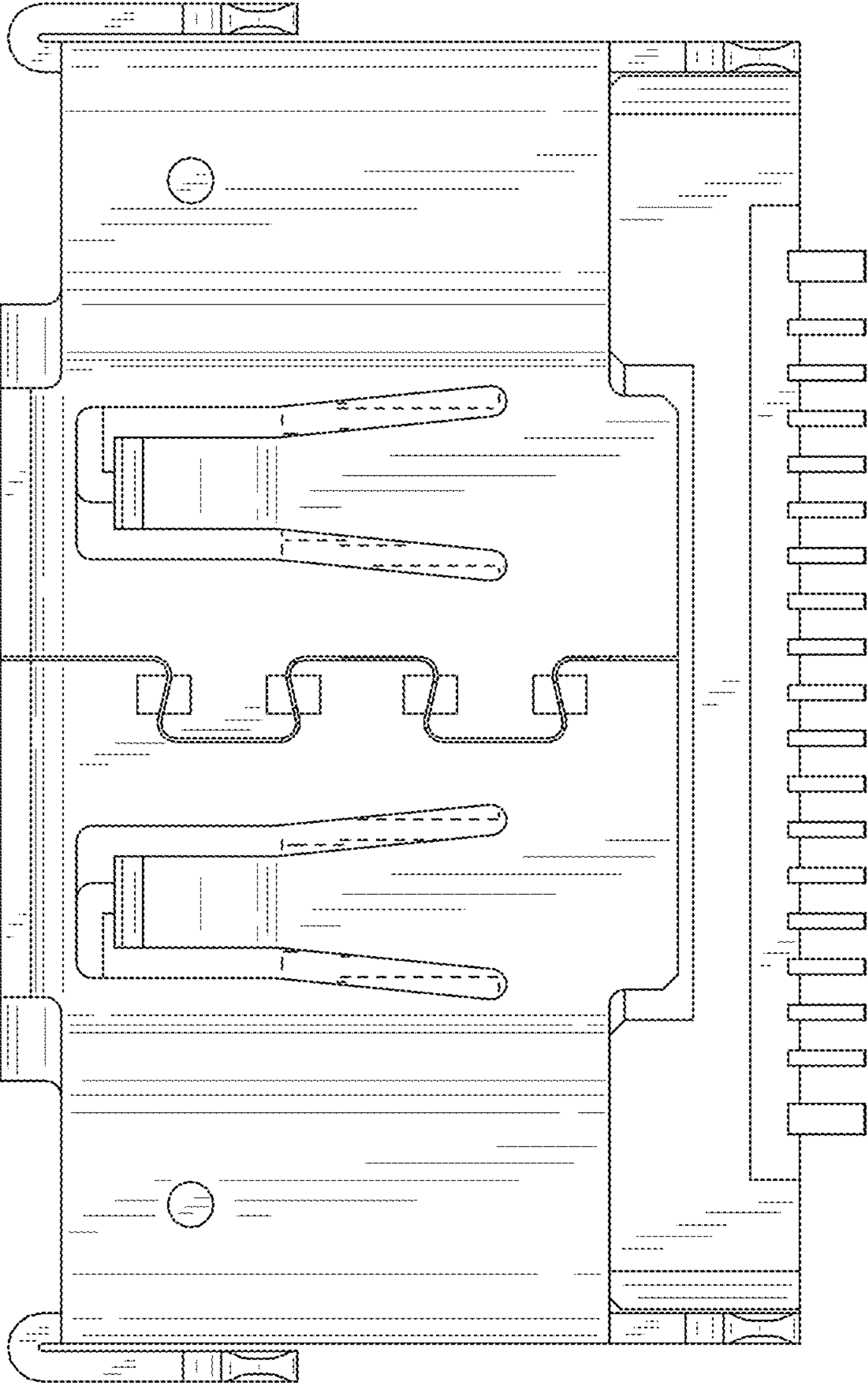


FIG.6

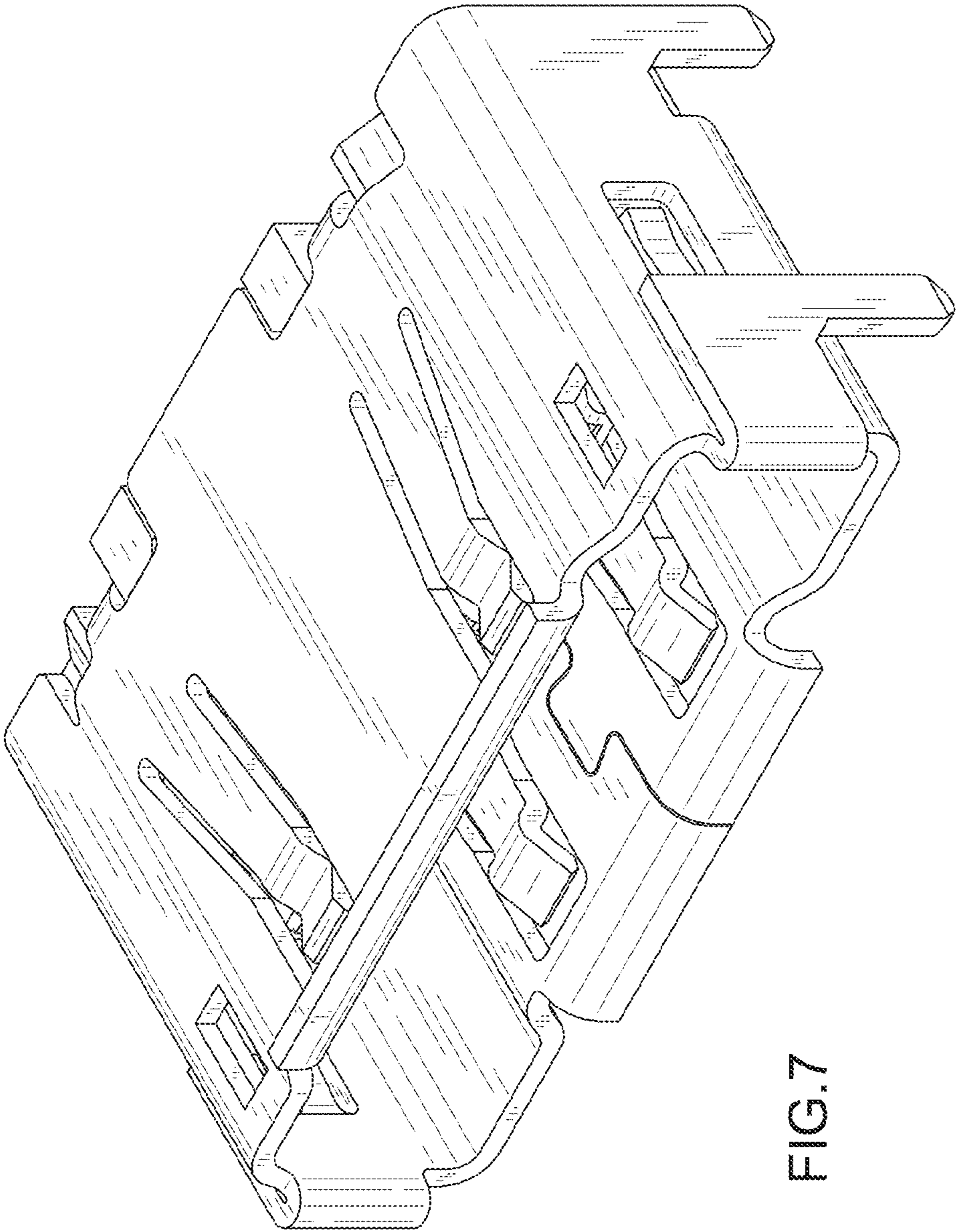


FIG.7



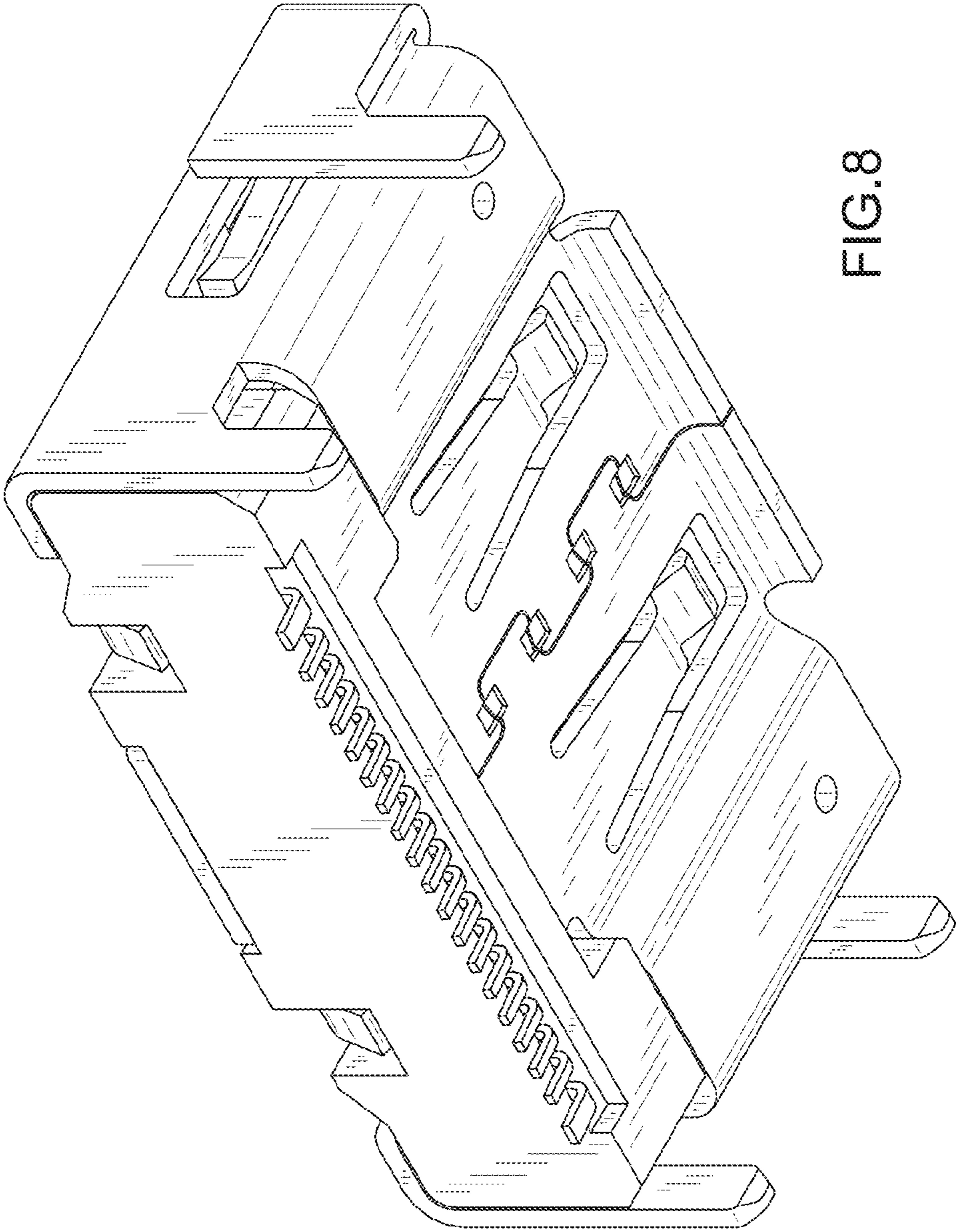


FIG. 8

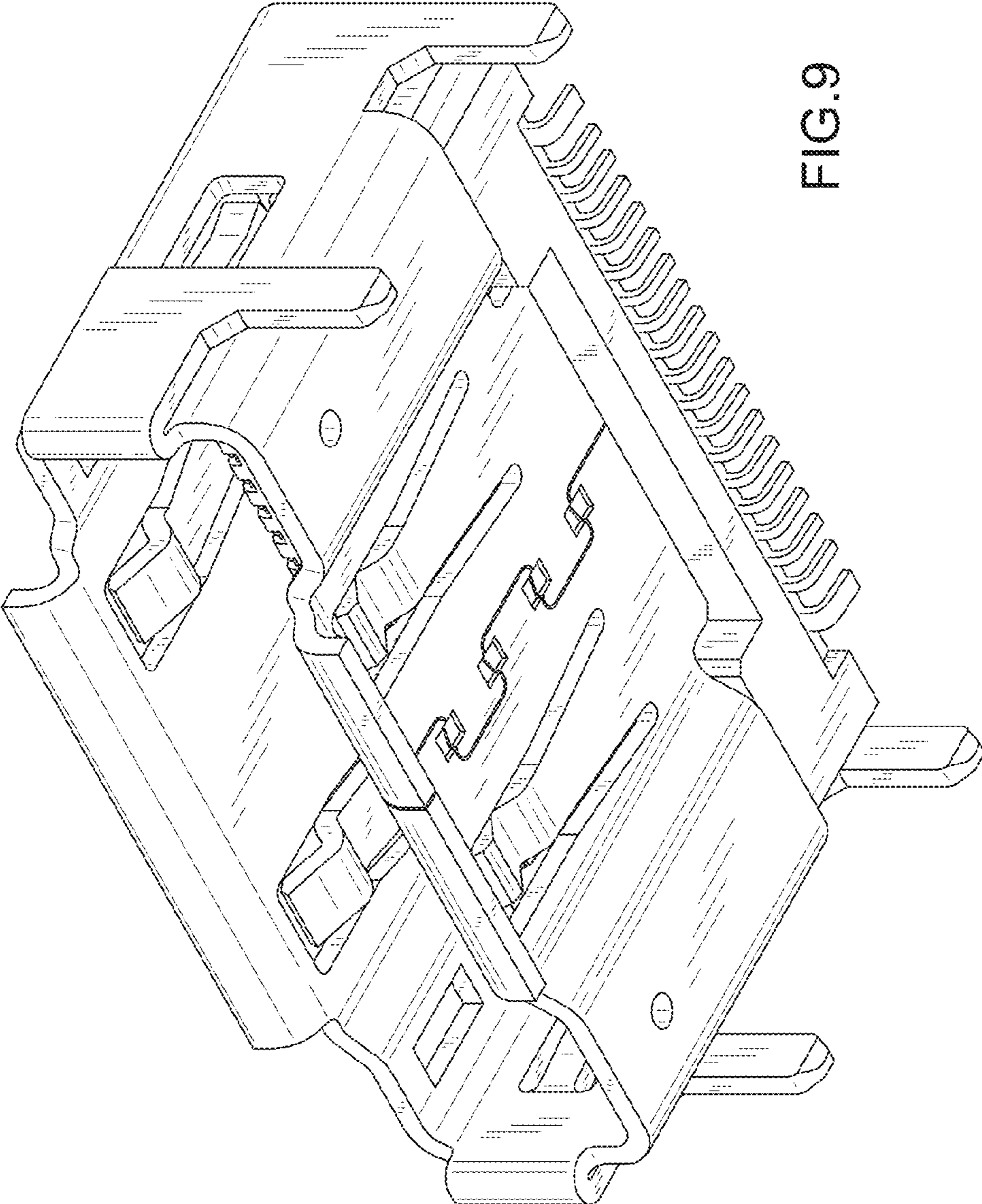


FIG. 9

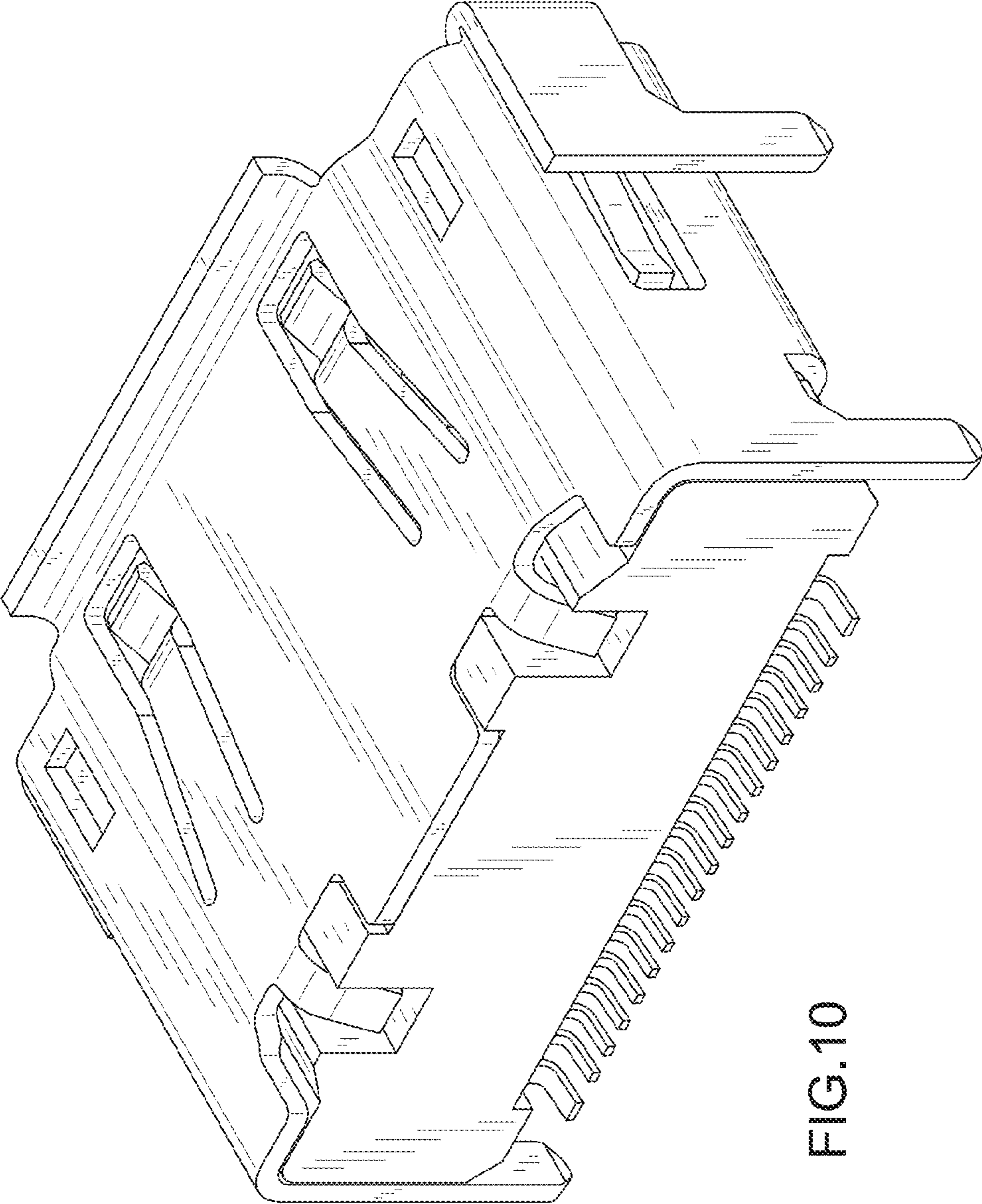


FIG.10