



US00D718717S

(12) **United States Design Patent**
Commerford

(10) **Patent No.:** **US D718,717 S**
(45) **Date of Patent:** **** Dec. 2, 2014**

- (54) **BATTERY BOX**
- (71) Applicant: **River of Goods, Inc.**, St. Paul, MN (US)
- (72) Inventor: **Terry W Commerford**, Minneapolis, MN (US)
- (73) Assignee: **River of Goods, Inc.**, St. Paul, MN (US)
- (**) Term: **14 Years**
- (21) Appl. No.: **29/465,468**
- (22) Filed: **Aug. 28, 2013**
- (51) **LOC (10) Cl.** **13-02**
- (52) **U.S. Cl.**
USPC **D13/119; D13/103**
- (58) **Field of Classification Search**
USPC D13/102-104, 110, 118-121, 184, 199;
429/96-100, 163, 176; 206/703-705,
206/461-463, 471, 485, 485.1, 493
See application file for complete search history.

D506,438 S *	6/2005	Vinciarelli et al.	D13/110
D538,226 S *	3/2007	Lyman et al.	D13/119
D602,432 S *	10/2009	Moussa	D13/110
D685,729 S *	7/2013	Lyman	D13/103
D686,157 S *	7/2013	Kawase et al.	D13/119
D699,179 S *	2/2014	Alexander	D13/103
D705,720 S *	5/2014	Lee	D13/103

* cited by examiner

Primary Examiner — Rosemary K Tarcza

(74) *Attorney, Agent, or Firm* — Charles S. Sara, Esq.;
DeWitt Ross & Stevens S.C.

(57) **CLAIM**

The ornamental design for a battery box, as shown and described.

DESCRIPTION

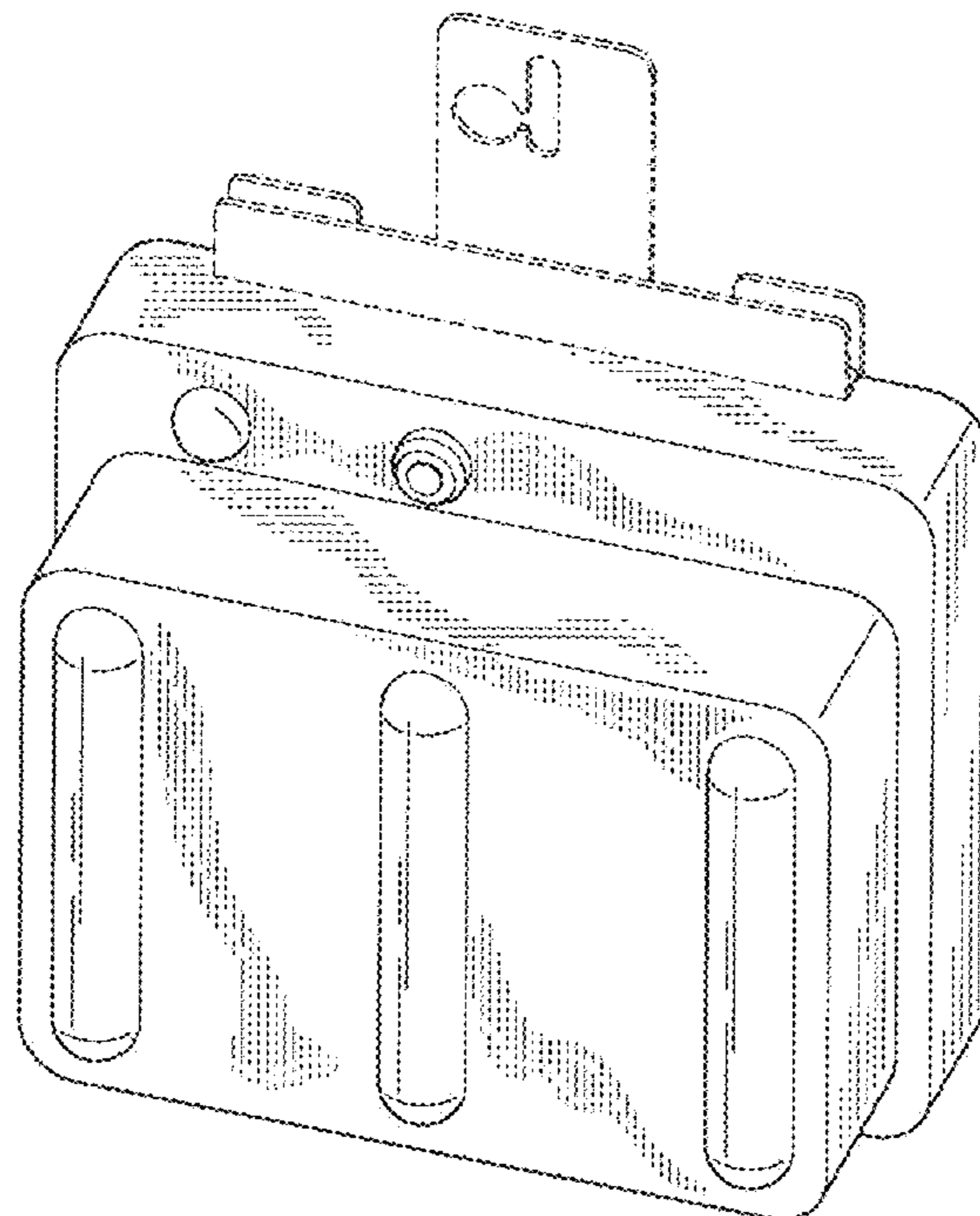
FIG. 1 is a front perspective view of a battery box showing my design;
 FIG. 2 is a front elevational view thereof;
 FIG. 3 is a rear elevational view thereof;
 FIG. 4 is a bottom plan view thereof;
 FIG. 5 is a top plan view thereof;
 FIG. 6 is a left side elevational view thereof; and,
 FIG. 7 is a right side elevational view thereof.
 The broken lines shown in the drawings are included for purpose of illustrating environmental structure and form no part of the claimed design.

(56) **References Cited**

U.S. PATENT DOCUMENTS

D320,212 S *	9/1991	Someya	D14/242
D401,550 S *	11/1998	Chambers et al.	D13/103
D409,582 S *	5/1999	Falkenberg	D14/451
D434,723 S *	12/2000	Fushimi	D13/110

1 Claim, 4 Drawing Sheets



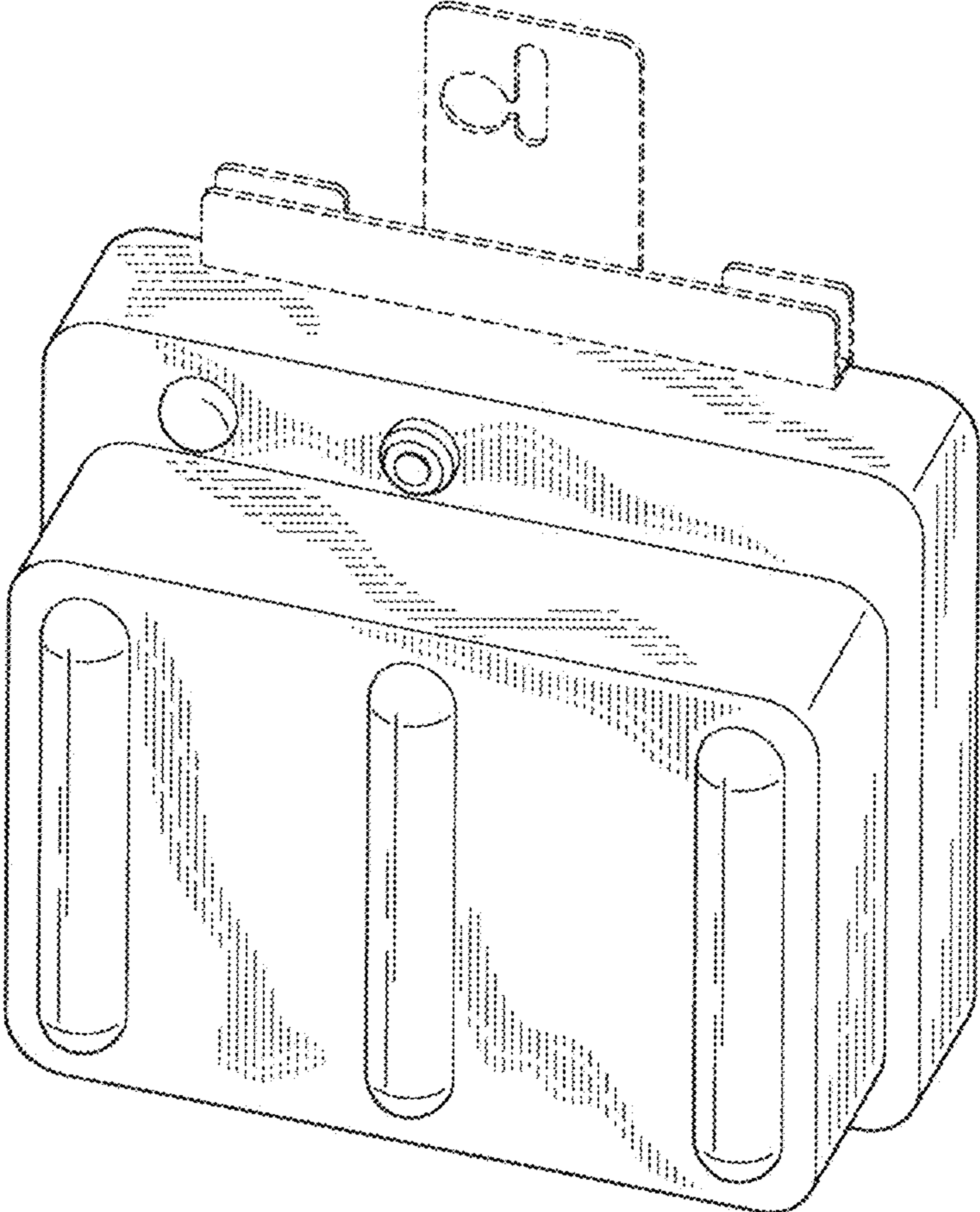


FIG. 1

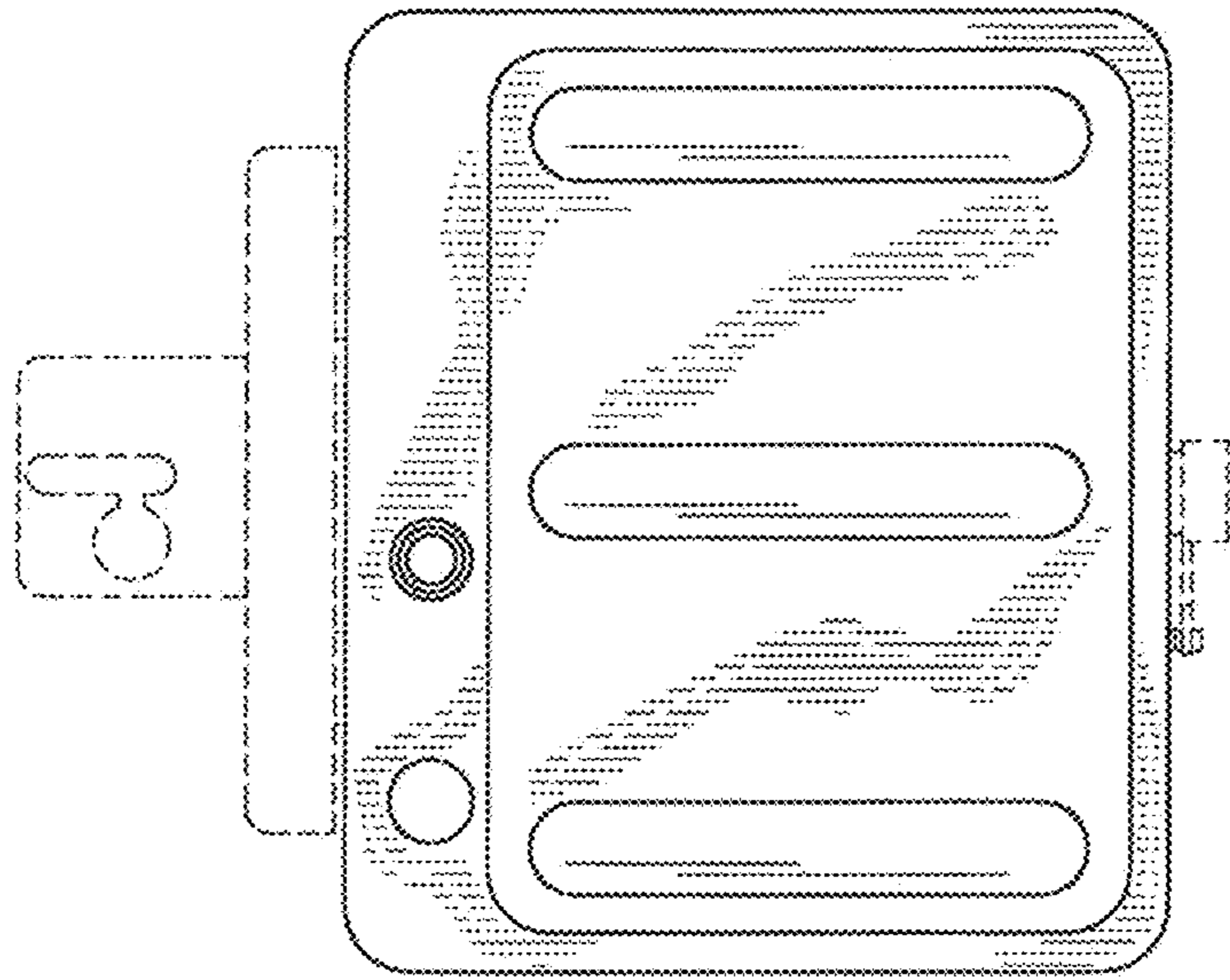


FIG. 2

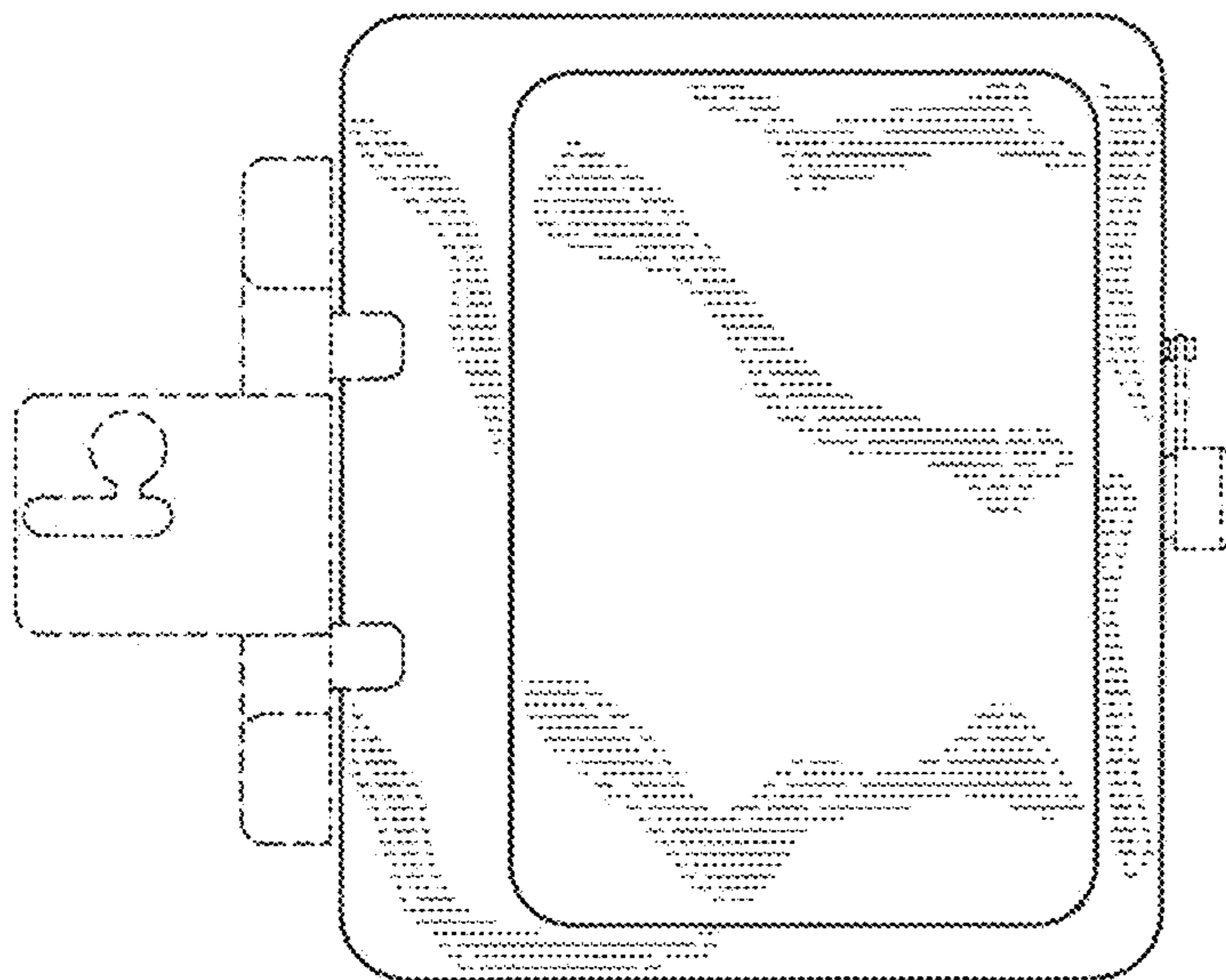


FIG. 3

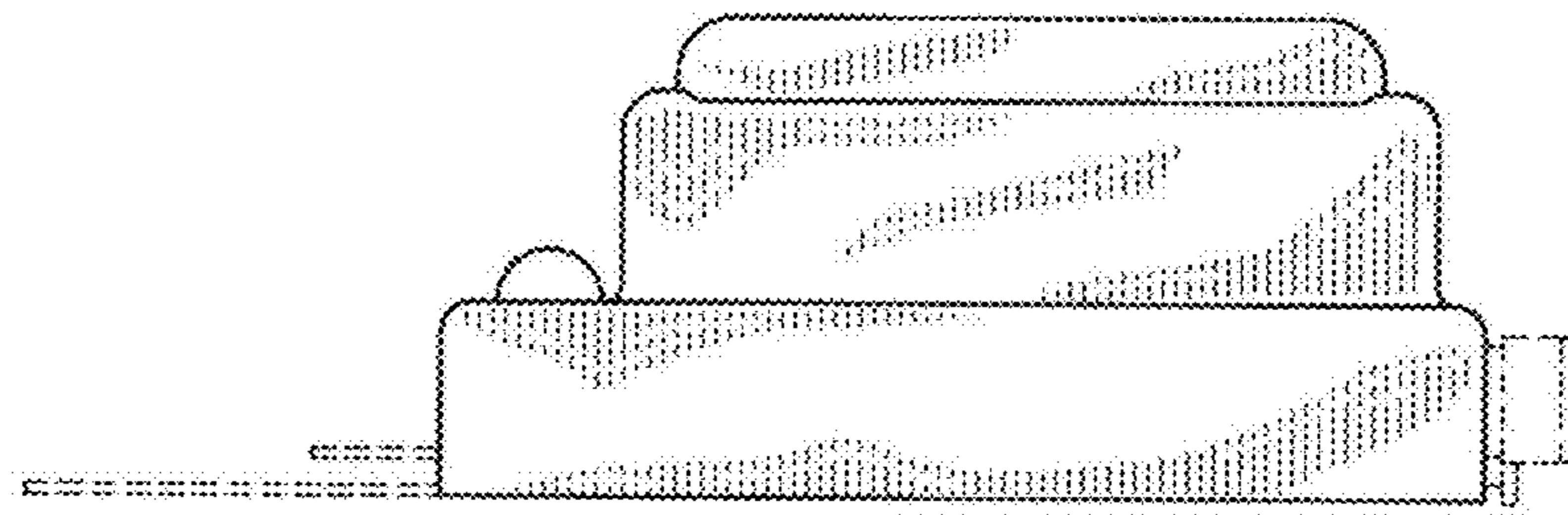


FIG. 4

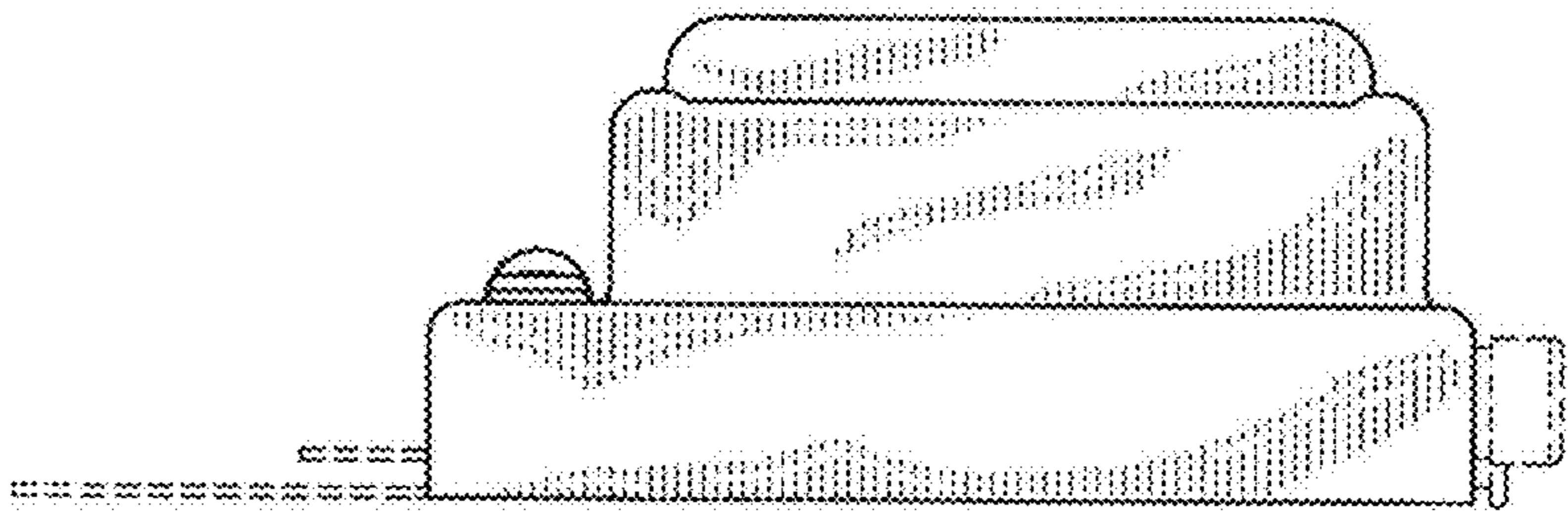


FIG. 5

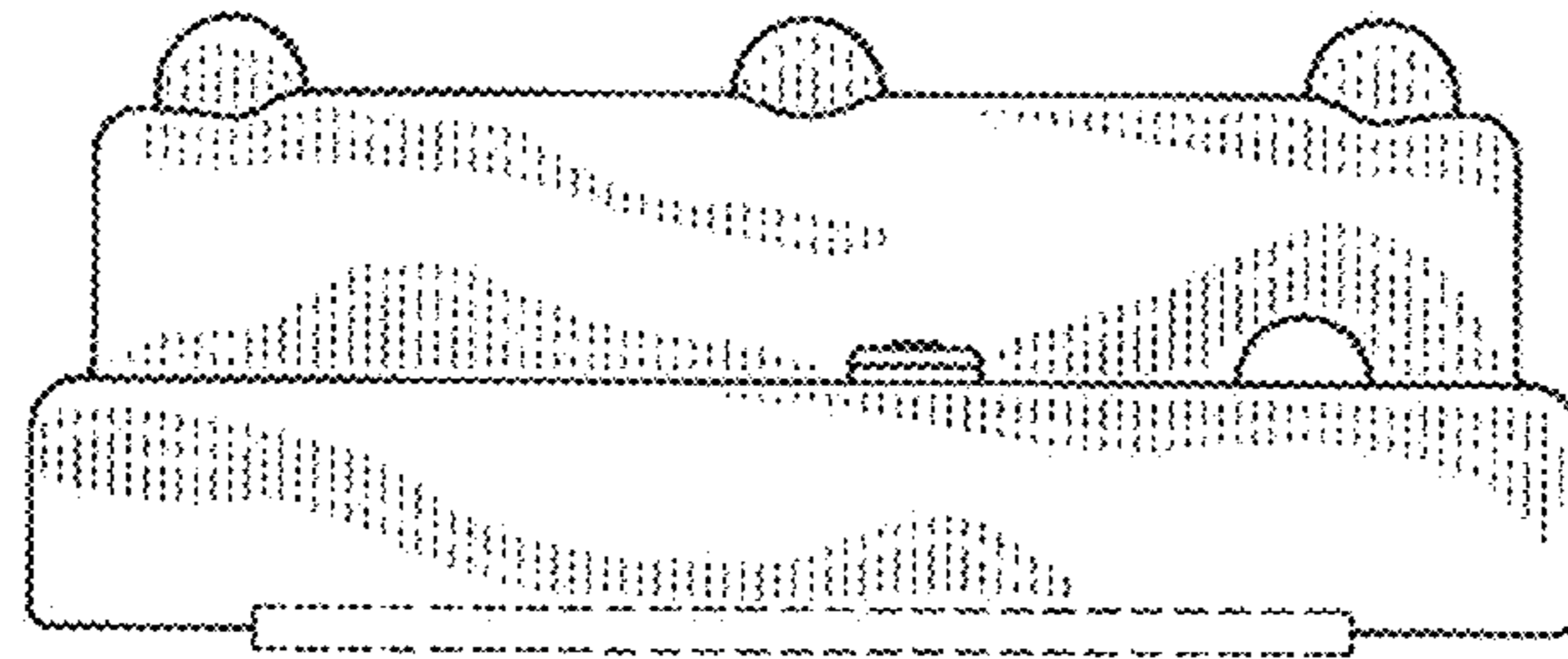


FIG. 6

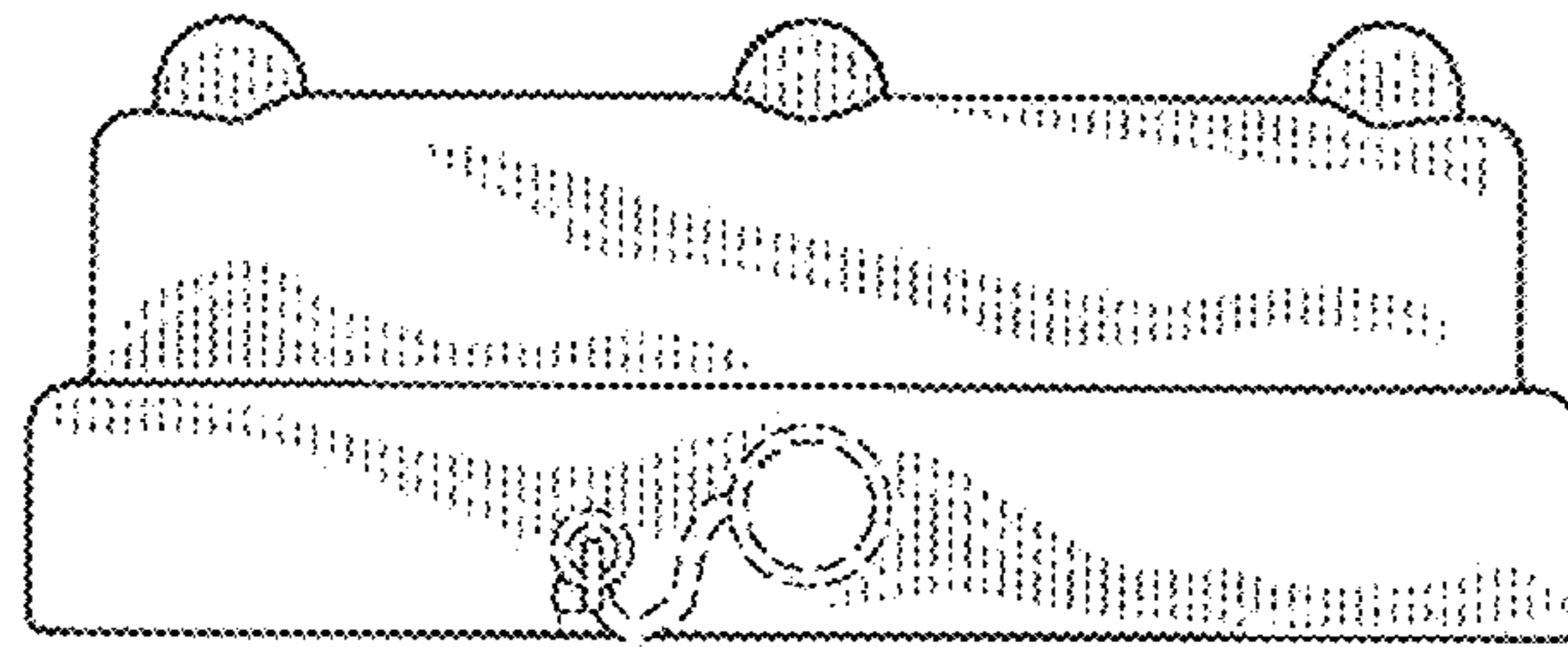


FIG. 7