



US00D718716S

(12) **United States Design Patent**
Barbu et al.

(10) **Patent No.:** **US D718,716 S**

(45) **Date of Patent:** **** Dec. 2, 2014**

(54) **COMMUNICATIONS ADAPTER**

(71) Applicant: **Bitdefender IPR Management Ltd.,**
Nicosia (CY)
(72) Inventors: **Andrei Barbu,** Vaslui (RO); **Dan R. Berte,** Cluj-Napoca (RO); **Bogdan C. Dumitru,** Bucuresti (RO); **Alexandru V. Veja,** Cluj-Napoca (RO)

(73) Assignee: **Bitdefender IPR Management Ltd.,**
Nicosia (CY)

(**) Term: **14 Years**

(21) Appl. No.: **29/485,391**

(22) Filed: **Mar. 18, 2014**

(51) **LOC (10) Cl.** **13-02**

(52) **U.S. Cl.**
USPC **D13/110**

(58) **Field of Classification Search**
USPC D13/110, 107, 108, 123, 133, 137.1,
D13/138.1, 199; 174/53, 54, 59, 61;
307/150, 151; 320/111, 114; 363/132,
363/140, 142, 143, 146; 439/105, 131, 166,
439/171-173, 218, 518, 692, 956;
D14/240, 251, 253, 432, 433, 434

See application file for complete search history.

(56) **References Cited**

U.S. PATENT DOCUMENTS

D435,242	S	*	12/2000	Yoshida	D13/110
D530,277	S	*	10/2006	Lin	D13/110
D653,613	S	*	2/2012	Sasada et al.	D13/108
D660,228	S	*	5/2012	Matsuoka et al.	D13/110
D670,244	S	*	11/2012	Workman et al.	D13/110

* cited by examiner

Primary Examiner — Derrick Holland

(74) *Attorney, Agent, or Firm* — Law Office of Andrei D Popovici, PC

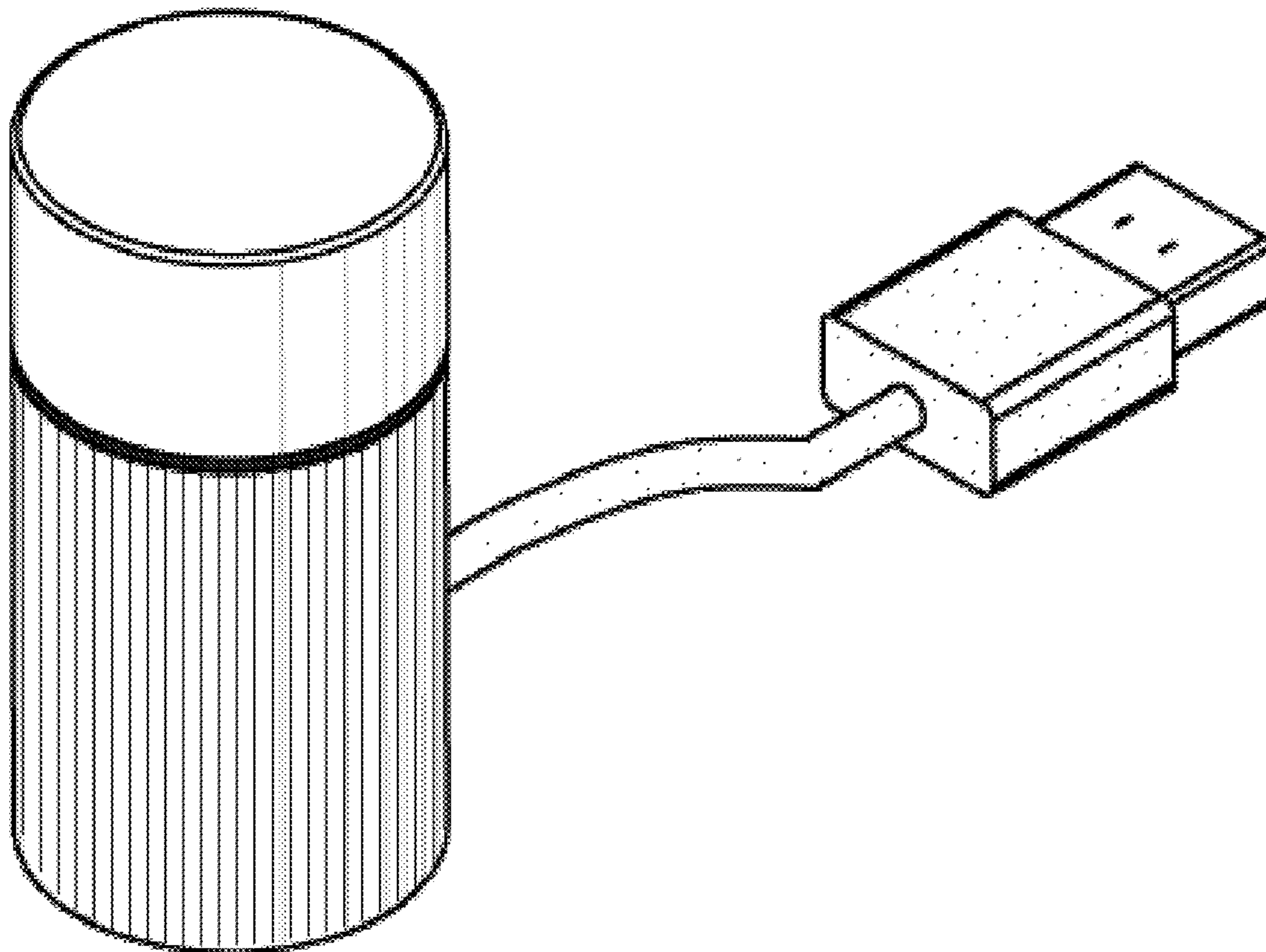
(57) **CLAIM**

What is claimed is the ornamental design for a communications adapter, as shown.

DESCRIPTION

FIG. 1 is an isometric view of a communications adapter showing our new design;
FIG. 2 is a bottom plan view thereof;
FIG. 3 is a top plan view thereof;
FIG. 4 is a rear elevation view thereof;
FIG. 5 is a front elevation view thereof;
FIG. 6 is a left side elevation view thereof; and,
FIG. 7 is a right side elevation view thereof.

1 Claim, 4 Drawing Sheets



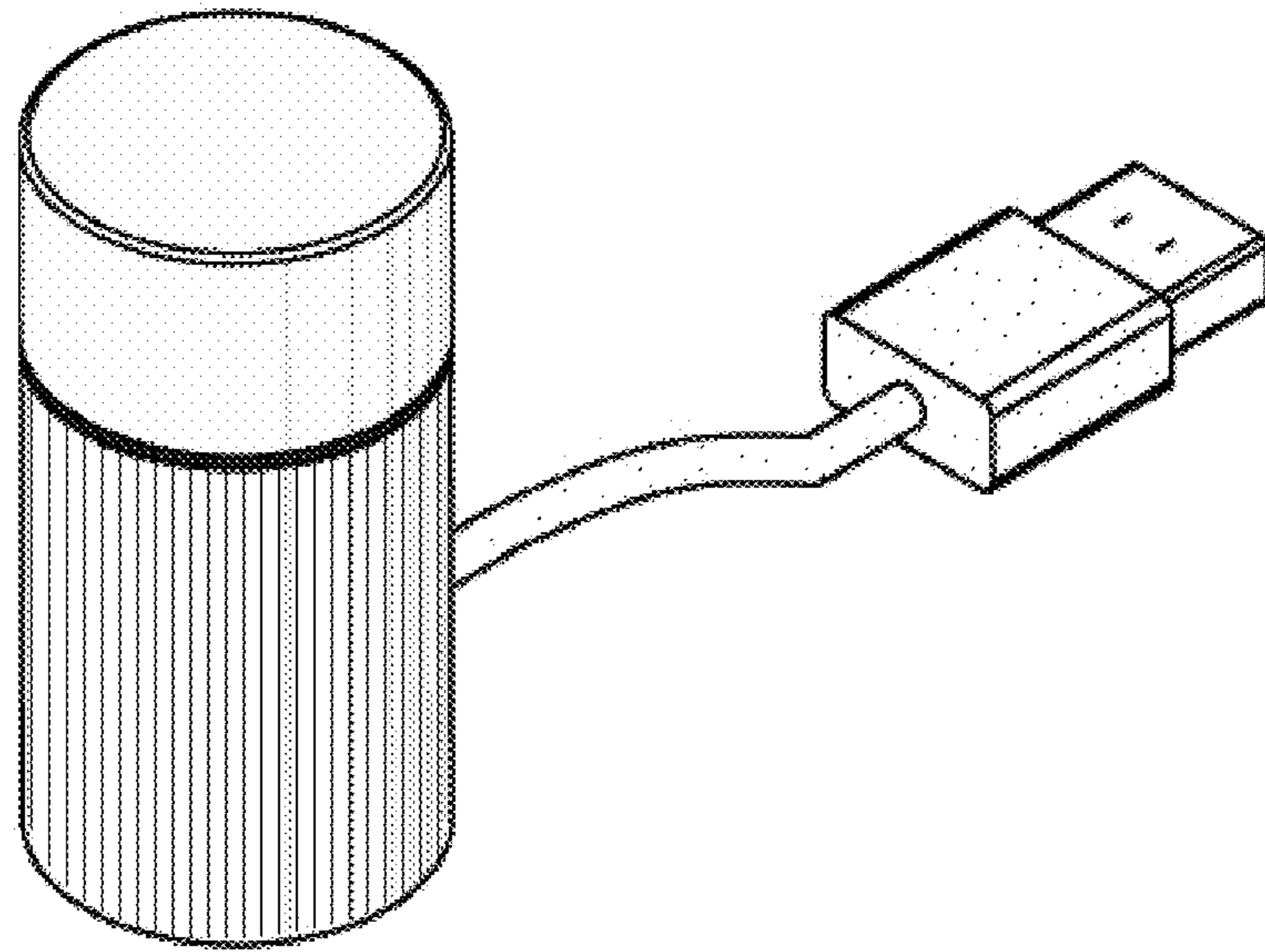


FIG. 1

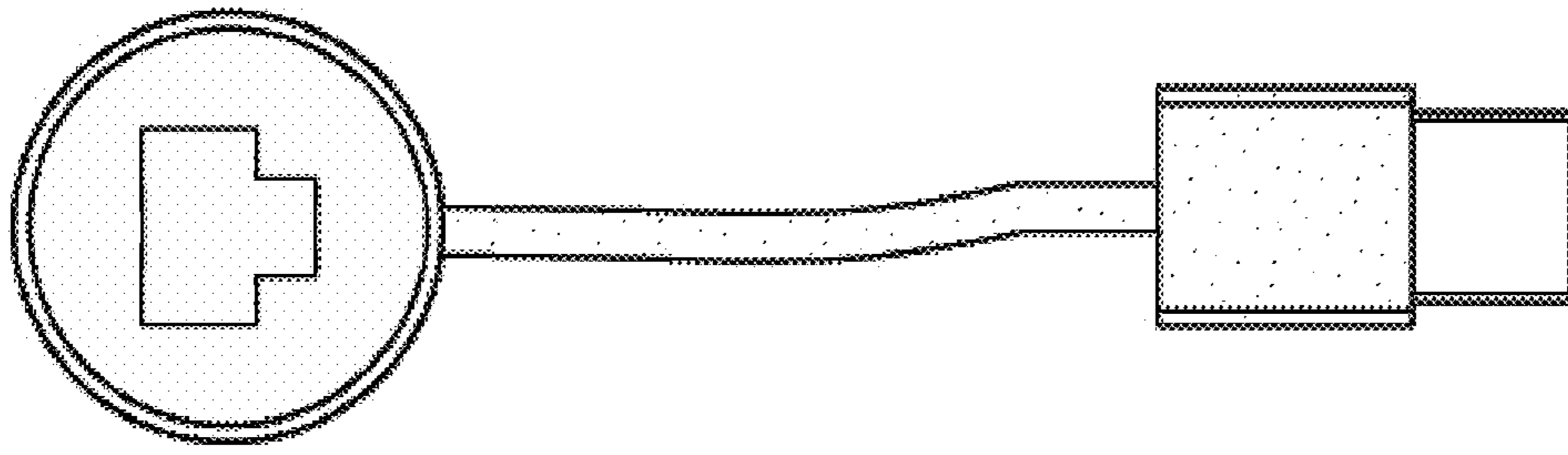


FIG. 2

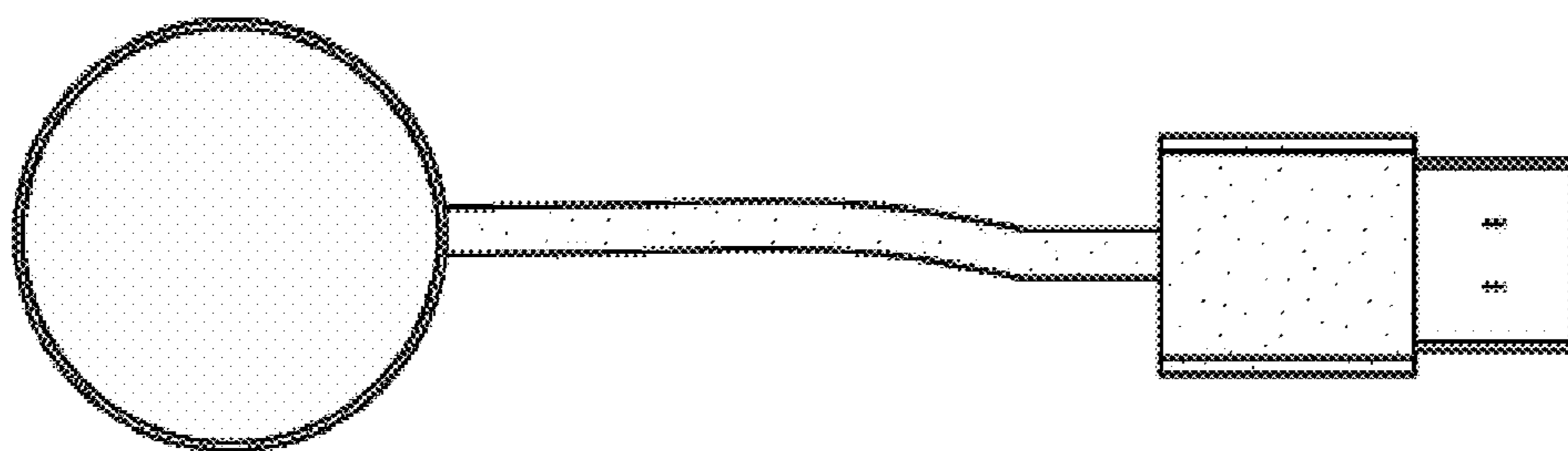


FIG. 3

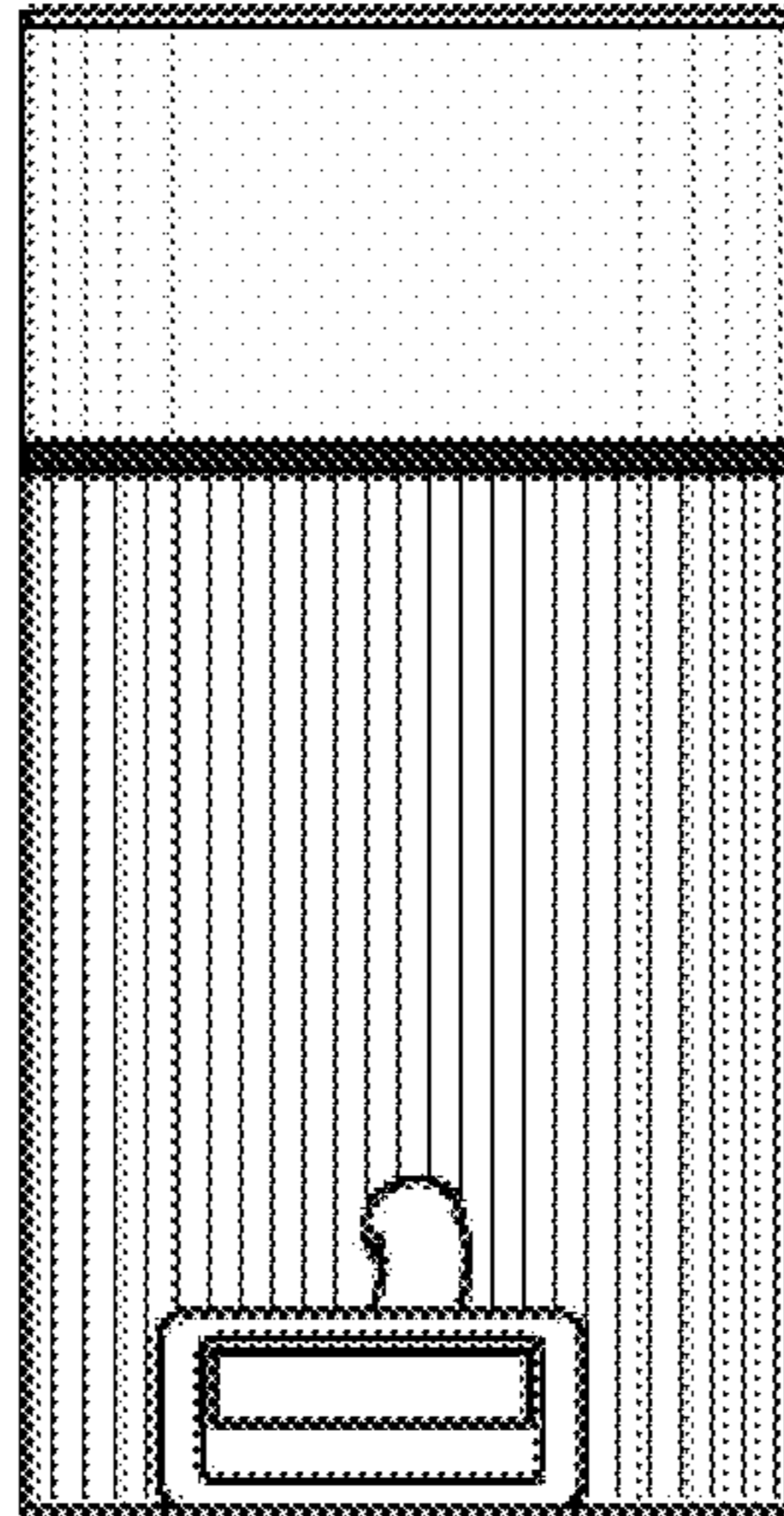


FIG. 4

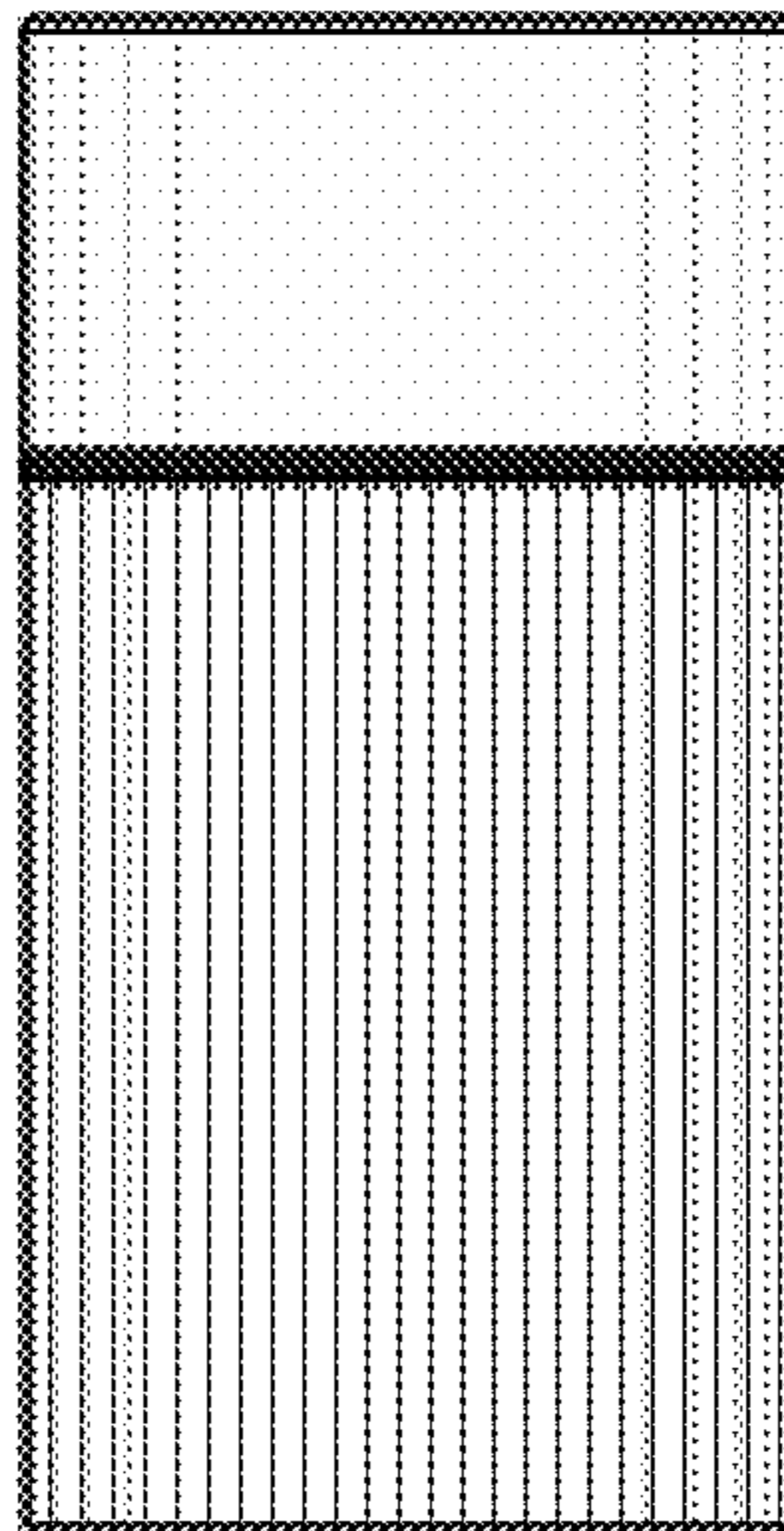


FIG. 5

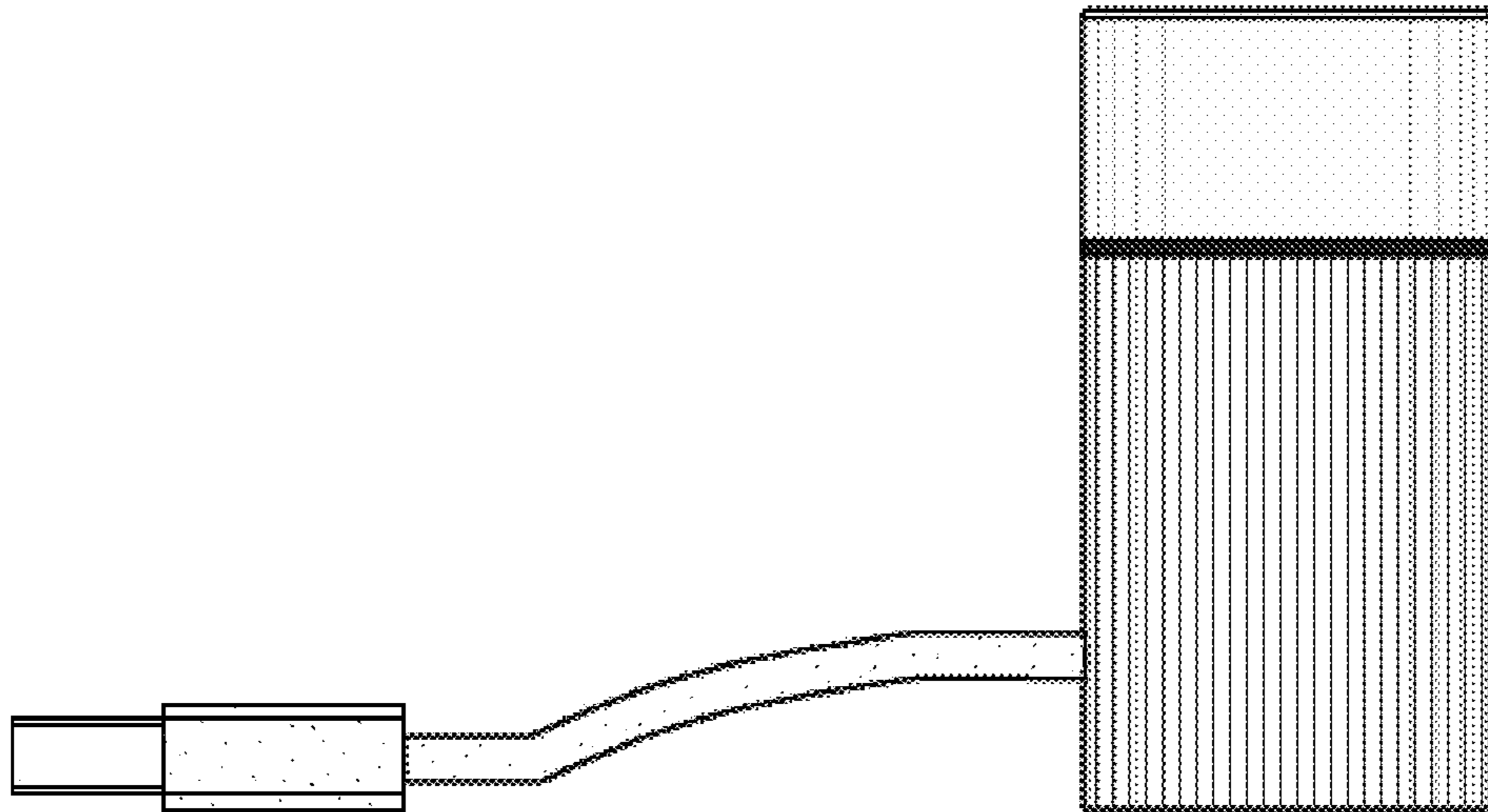


FIG. 6

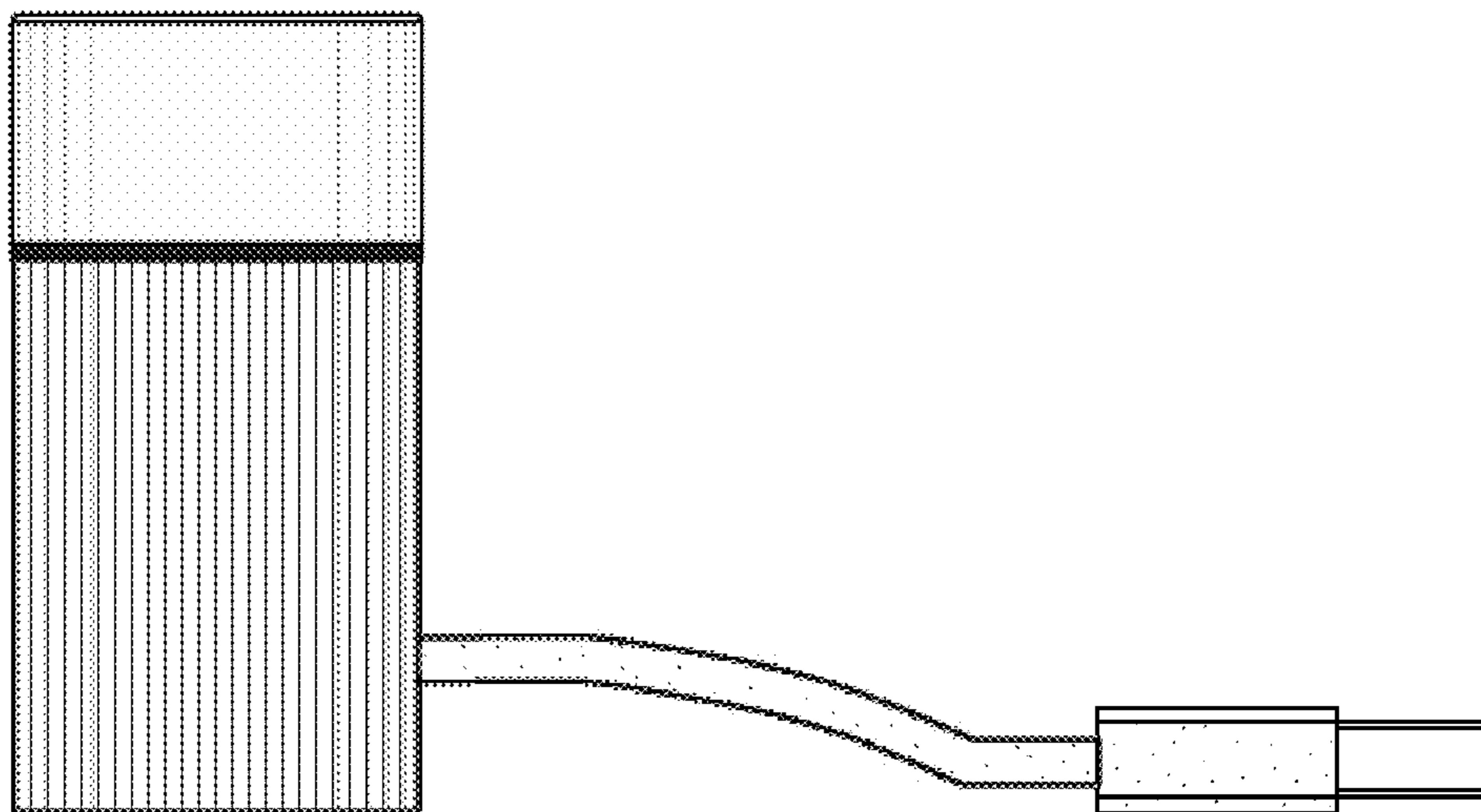


FIG. 7