



US00D718714S

(12) **United States Design Patent**
Si

(10) **Patent No.:** **US D718,714 S**

(45) **Date of Patent:** **** Dec. 2, 2014**

(54) **CUBIC POWER SOCKET WITH AN EXTENSION CORD**

(71) Applicant: **Allocacoc Corporation**, Irvine, CA (US)

(72) Inventor: **Khoi Ho Si**, Den Hoorn (NL)

(73) Assignee: **Allocacoc Corporation**, Irvine, CA (US)

(**) Term: **14 Years**

(21) Appl. No.: **29/478,345**

(22) Filed: **Jan. 3, 2014**

(51) **LOC (10) Cl.** **13-02**

(52) **U.S. Cl.**
USPC **D13/110**

(58) **Field of Classification Search**

USPC D13/110, 103, 107, 108, 118, 119, 123,
D13/133, 137.1, 137.2, 139.8, 184, 199;
D14/240, 356, 432, 433, 434, 435.1;
174/53, 54, 59, 61; 307/11, 150, 151;
320/107, 111, 112, 113, 114, 115;
361/118, 119, 679.01; 363/142, 146;
439/106-108, 188, 131, 172, 626, 628,
439/638, 650-654

See application file for complete search history.

(56) **References Cited**

U.S. PATENT DOCUMENTS

D152,992 S * 3/1949 Ludwig D13/139.7
4,085,996 A * 4/1978 Koslo 439/105
D399,488 S * 10/1998 Williams D13/139.7
6,485,327 B1 * 11/2002 Morlock et al. 439/527
D540,257 S 4/2007 Ivanova et al.
D542,221 S * 5/2007 Hriscu et al. D13/110

D566,654 S 4/2008 Ivanova et al.
D611,406 S * 3/2010 Oikawa et al. D13/102
D639,742 S * 6/2011 Doucet D13/139.8
D653,614 S * 2/2012 Au D13/108
D674,342 S * 1/2013 Ho D13/110
D681,548 S * 5/2013 Zhang et al. D13/102

* cited by examiner

Primary Examiner — Derrick Holland

(74) *Attorney, Agent, or Firm* — Blakely Sokoloff Taylor & Zafman LLP

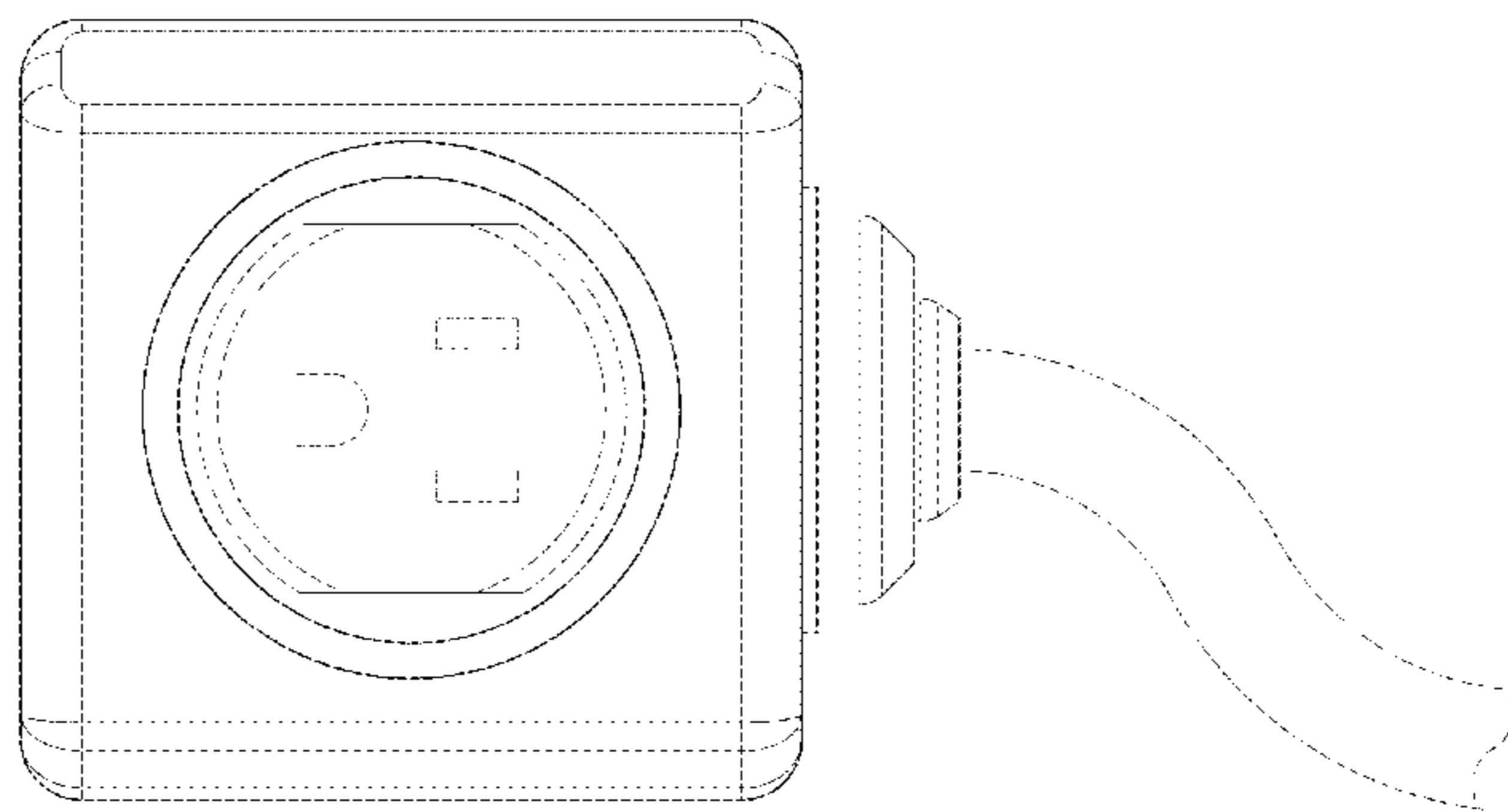
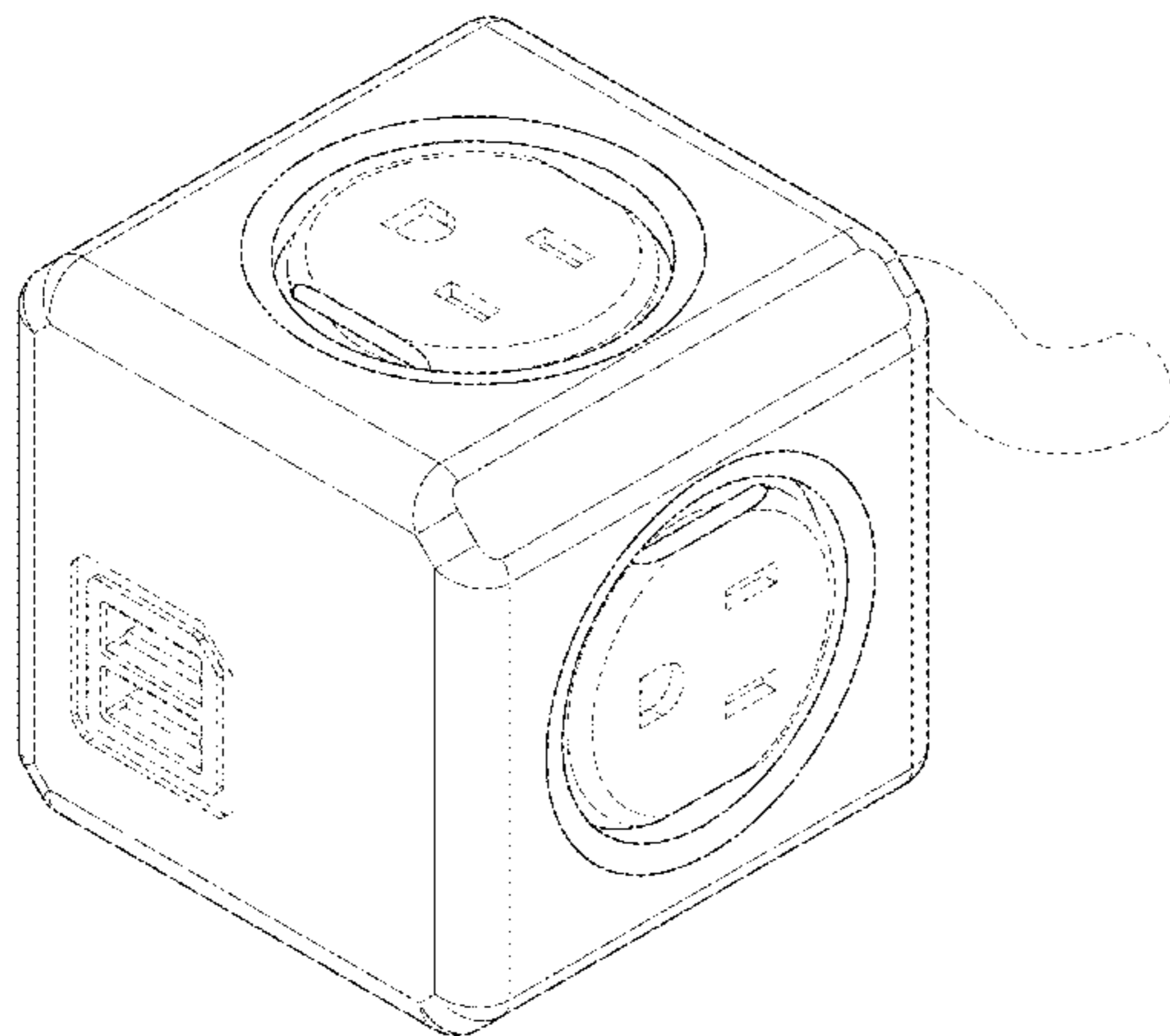
(57) **CLAIM**

The ornamental design for a cubic power socket with an extension cord, as shown and described.

DESCRIPTION

FIG. 1 shows a perspective view of a cubic power socket with an extension cord;
FIG. 2 shows a front view of the cubic power socket with an extension cord of FIG. 1;
FIG. 3 shows a back view of the cubic power socket with an extension cord of FIG. 1;
FIG. 4 shows a left view of the cubic power socket with an extension cord of FIG. 1;
FIG. 5 shows a right view of the cubic power socket with an extension cord of FIG. 1;
FIG. 6 shows a top view of the cubic power socket with an extension cord of FIG. 1; and,
FIG. 7 shows a bottom view of the cubic power socket with an extension cord of FIG. 1.
The broken lines illustrate environmental structure and form no part of the claimed design.

1 Claim, 7 Drawing Sheets



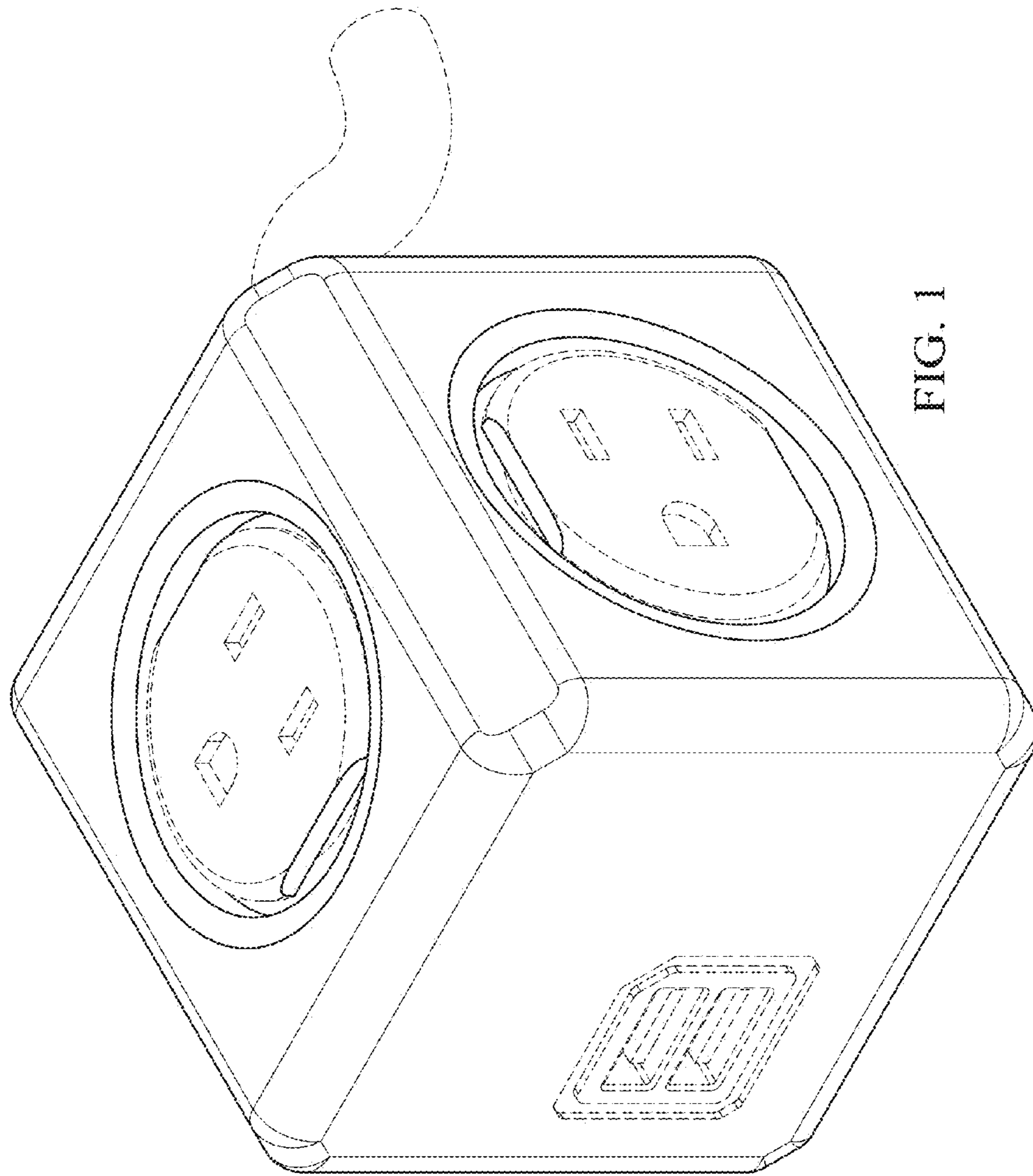


FIG. 1

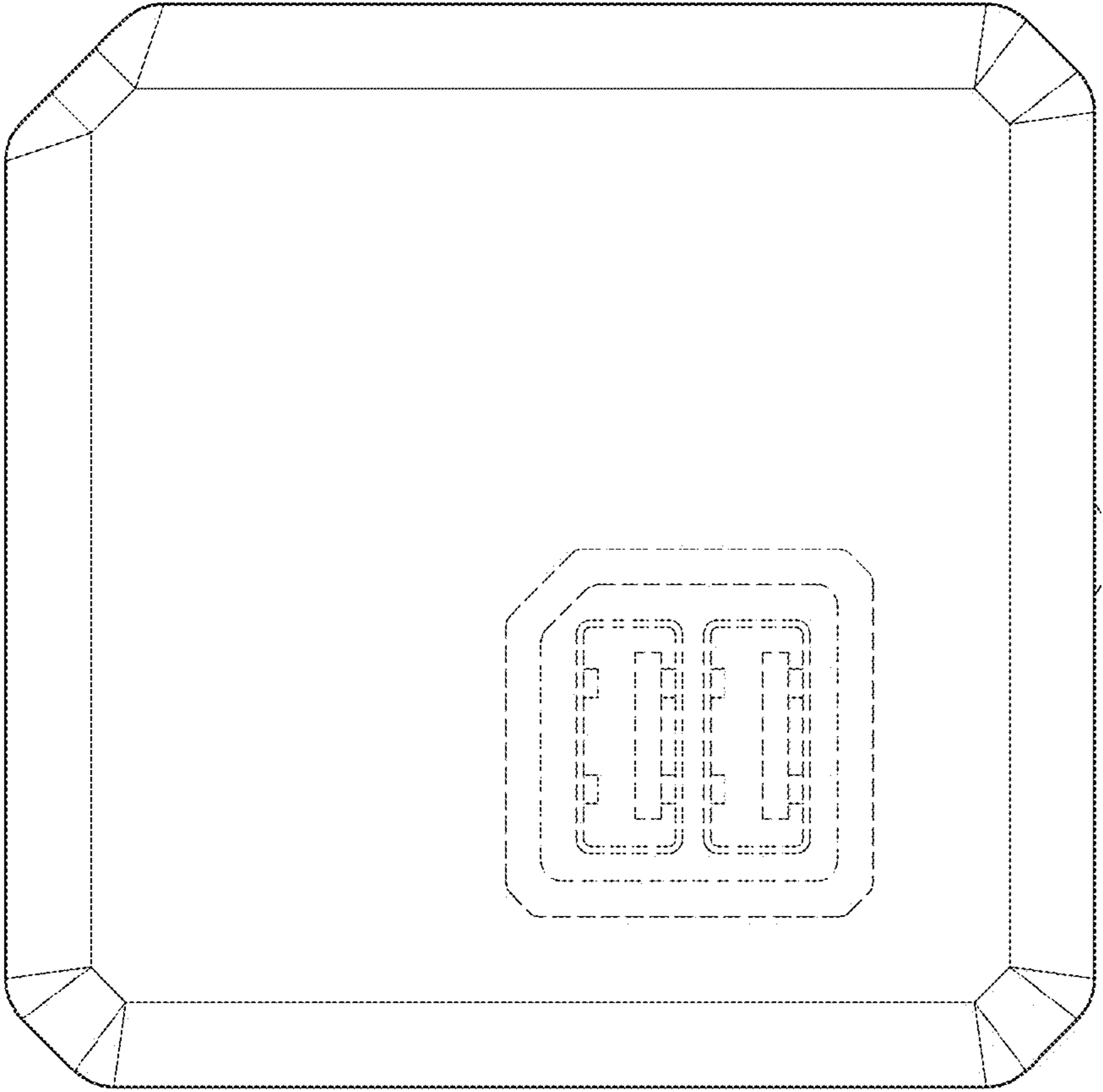


FIG. 2

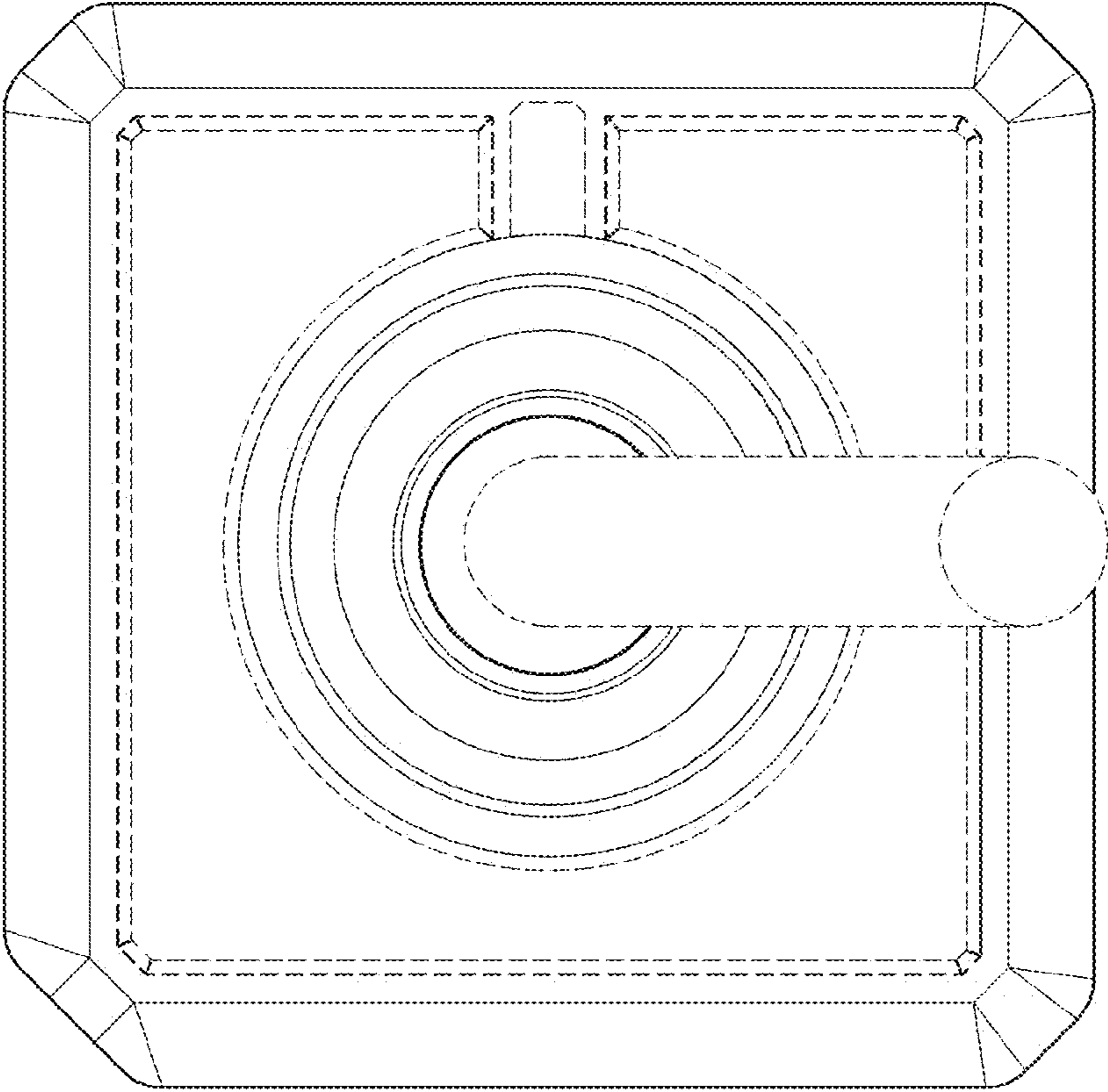


FIG. 3

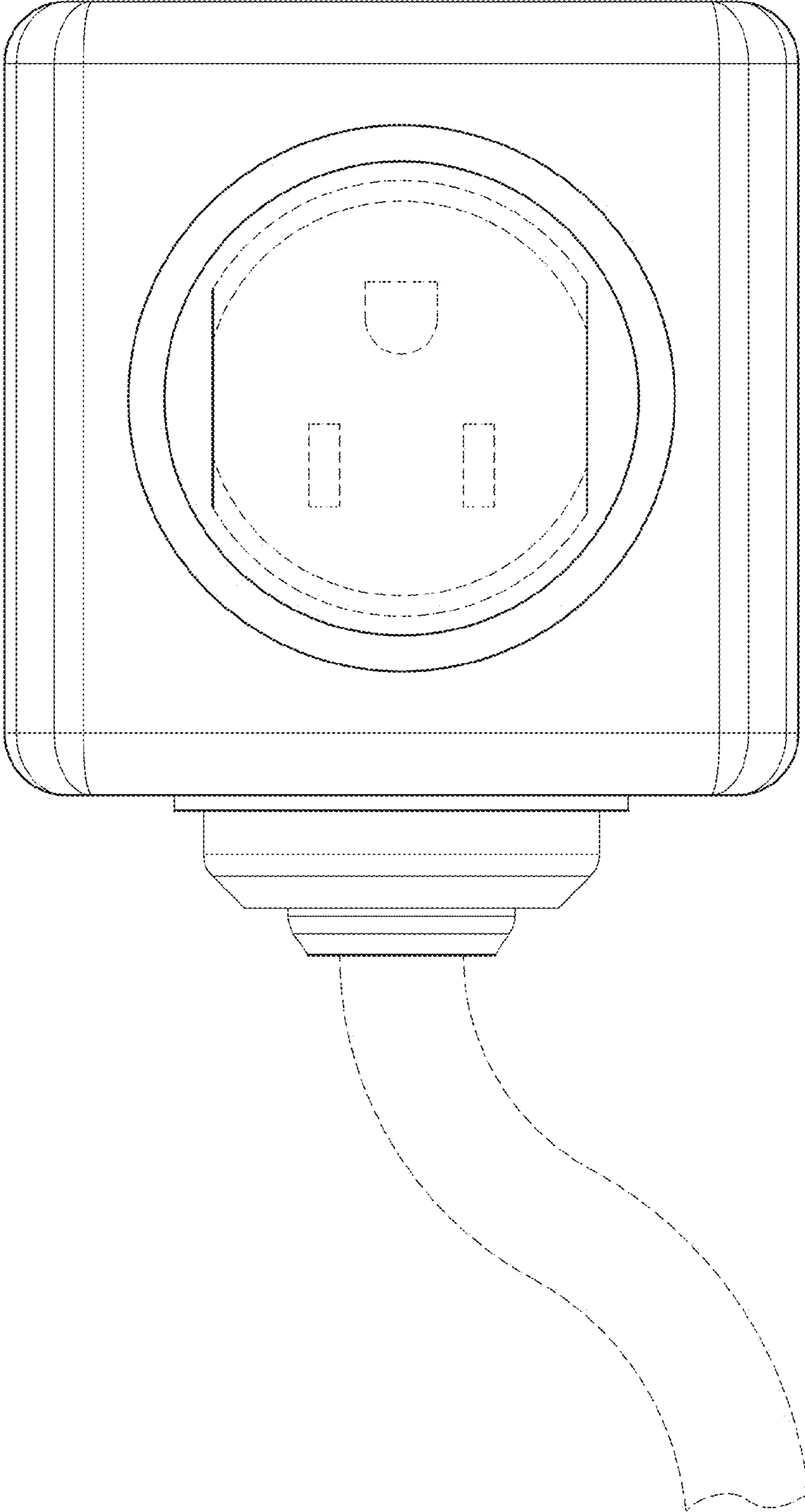


FIG. 4

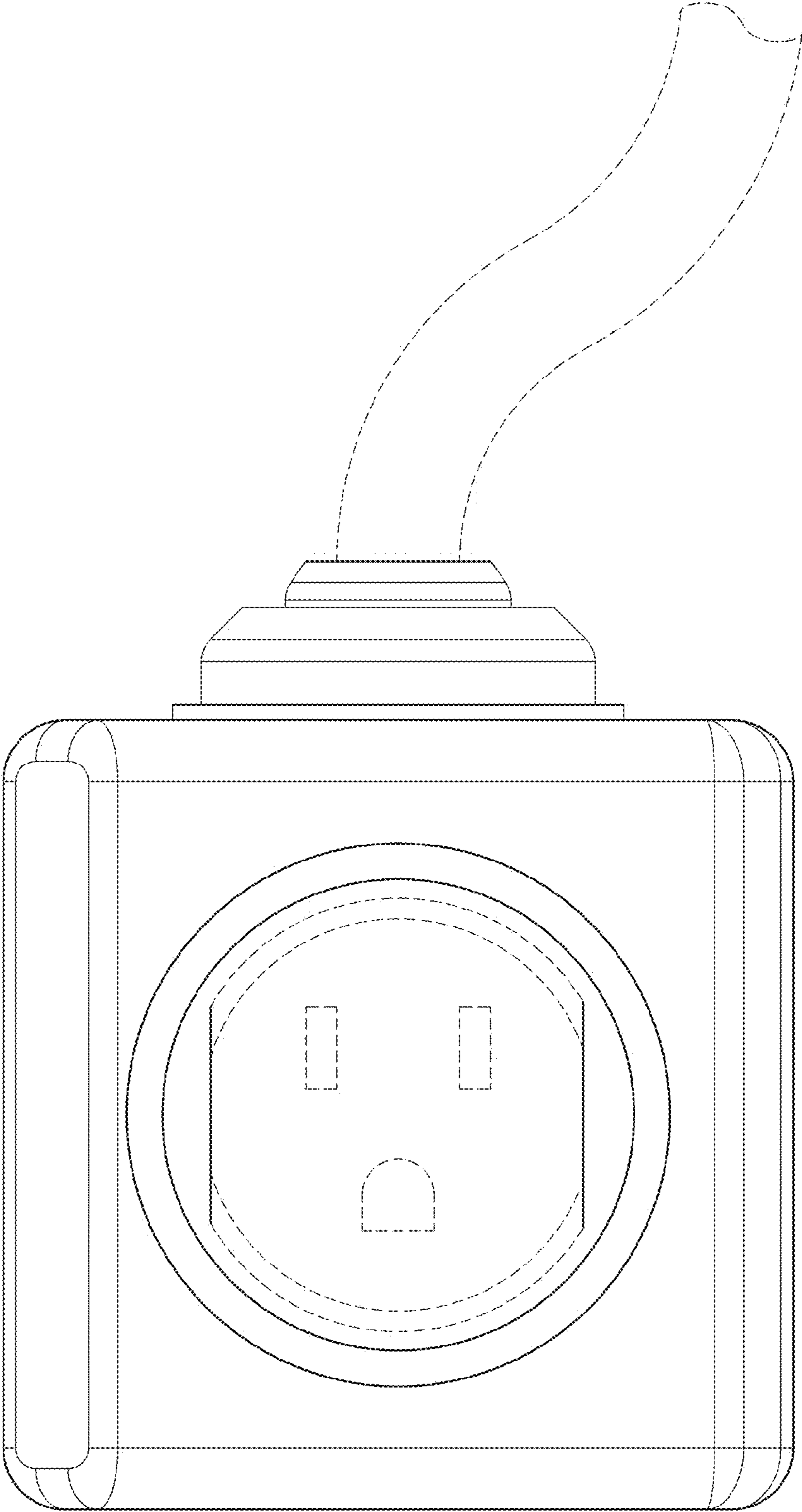


FIG. 5

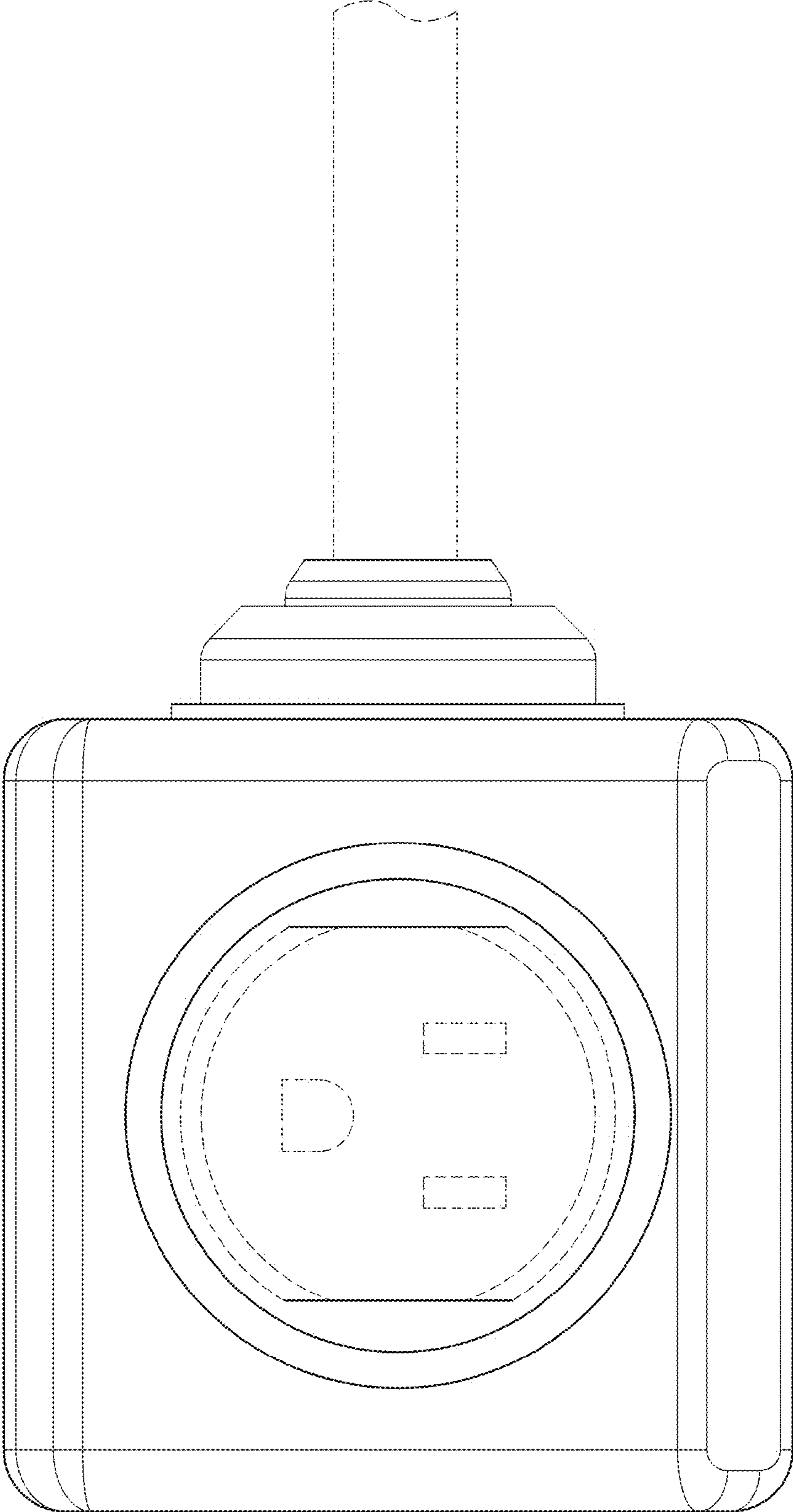


FIG. 6

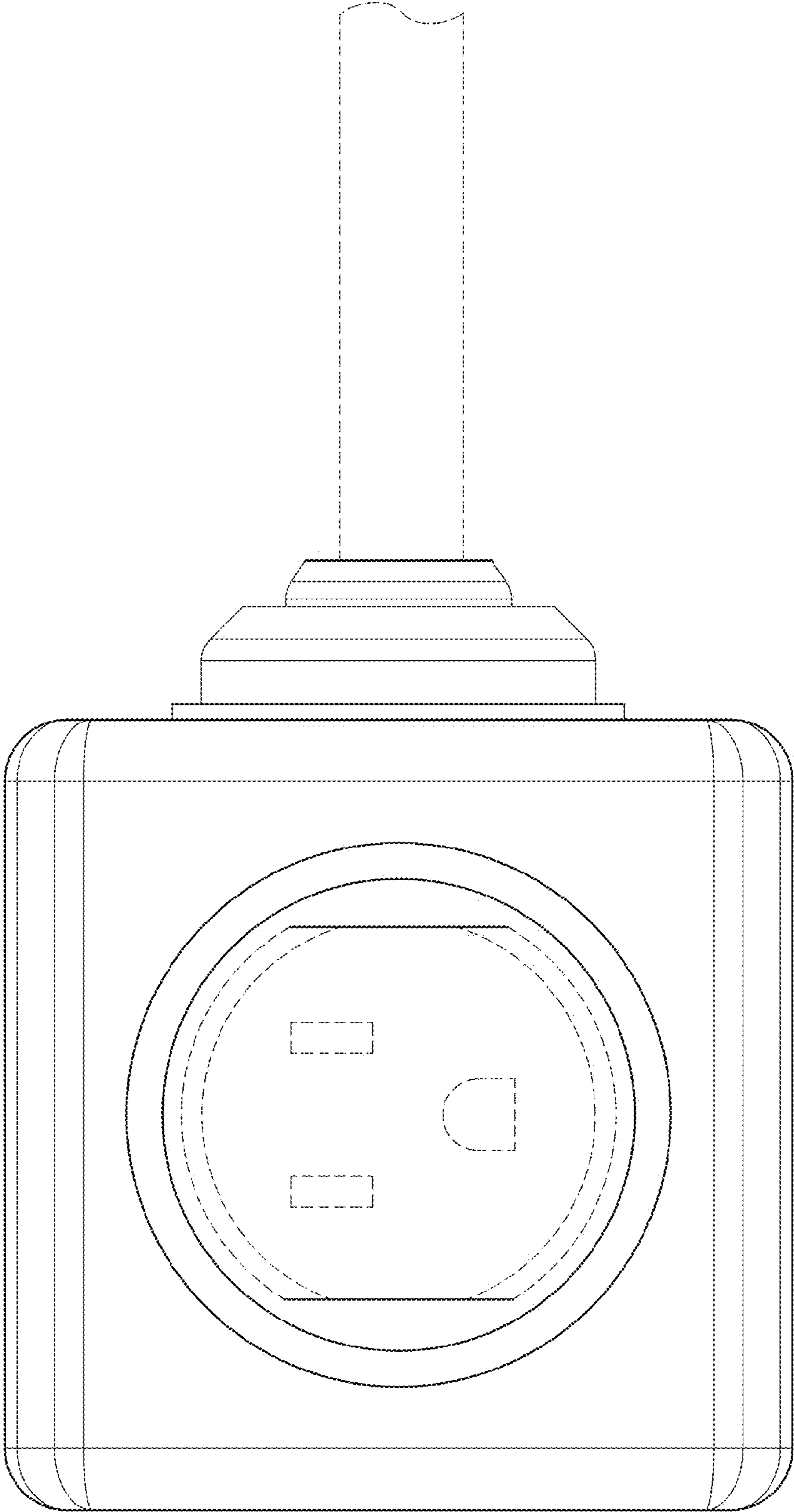


FIG. 7