



US00D718712S

(12) **United States Design Patent**  
**Aumiller et al.**

(10) **Patent No.:** **US D718,712 S**  
(45) **Date of Patent:** **\*\* Dec. 2, 2014**

(54) **CHARGER FOR ELECTRONIC DEVICE**

(71) Applicant: **Samsung Electronics Co., Ltd.**,  
Suwon-si (KR)

(72) Inventors: **Curtis Aumiller**, San Jose, CA (US);  
**Pranav Mistry**, Cupertino, CA (US);  
**Chengyuan Wei**, Dalian (CN)

(73) Assignee: **Samsung Electronic Co., Ltd.**, Suwon,  
si (KR)

(\*\*) Term: **14 Years**

(21) Appl. No.: **29/449,567**

(22) Filed: **Mar. 15, 2013**

(51) **LOC (10) Cl.** ..... **13-02**

(52) **U.S. Cl.**  
USPC ..... **D13/108**

(58) **Field of Classification Search**  
USPC ..... D13/107–110, 118–119, 184, 199;  
D14/217, 251, 253, 432, 434;  
320/107–115

See application file for complete search history.

(56) **References Cited**

**U.S. PATENT DOCUMENTS**

D221,081 S *	7/1971	Kahn	.....	D13/110
D300,678 S *	4/1989	Barrault	.....	D32/73
D526,973 S *	8/2006	Gates et al.	.....	D13/184
D537,409 S *	2/2007	Suzuki	.....	D13/108
D550,614 S *	9/2007	Fee et al.	.....	D13/107
D558,207 S *	12/2007	Ikeda et al.	.....	D14/434
D558,208 S *	12/2007	Ikeda et al.	.....	D14/434
D558,209 S *	12/2007	Ikeda et al.	.....	D14/434
D575,289 S *	8/2008	Kuo et al.	.....	D14/434
D585,898 S *	2/2009	Skurdal	.....	D14/434

D602,858 S *	10/2009	Ellis et al.	.....	D13/108
D627,718 S *	11/2010	Houghton	.....	D13/108
D654,431 S *	2/2012	Stephanchick et al.	.....	D13/108
D659,093 S *	5/2012	Schmid et al.	.....	D13/108
D680,541 S *	4/2013	Lee et al.	.....	D14/434
2009/0134838 A1 *	5/2009	Raghuprasad	.....	320/108

\* cited by examiner

*Primary Examiner* — Rosemary K Tarcza

(74) *Attorney, Agent, or Firm* — Sughrue Mion, PLLC

(57) **CLAIM**

The ornamental design for a charger for an electronic device, as shown and described.

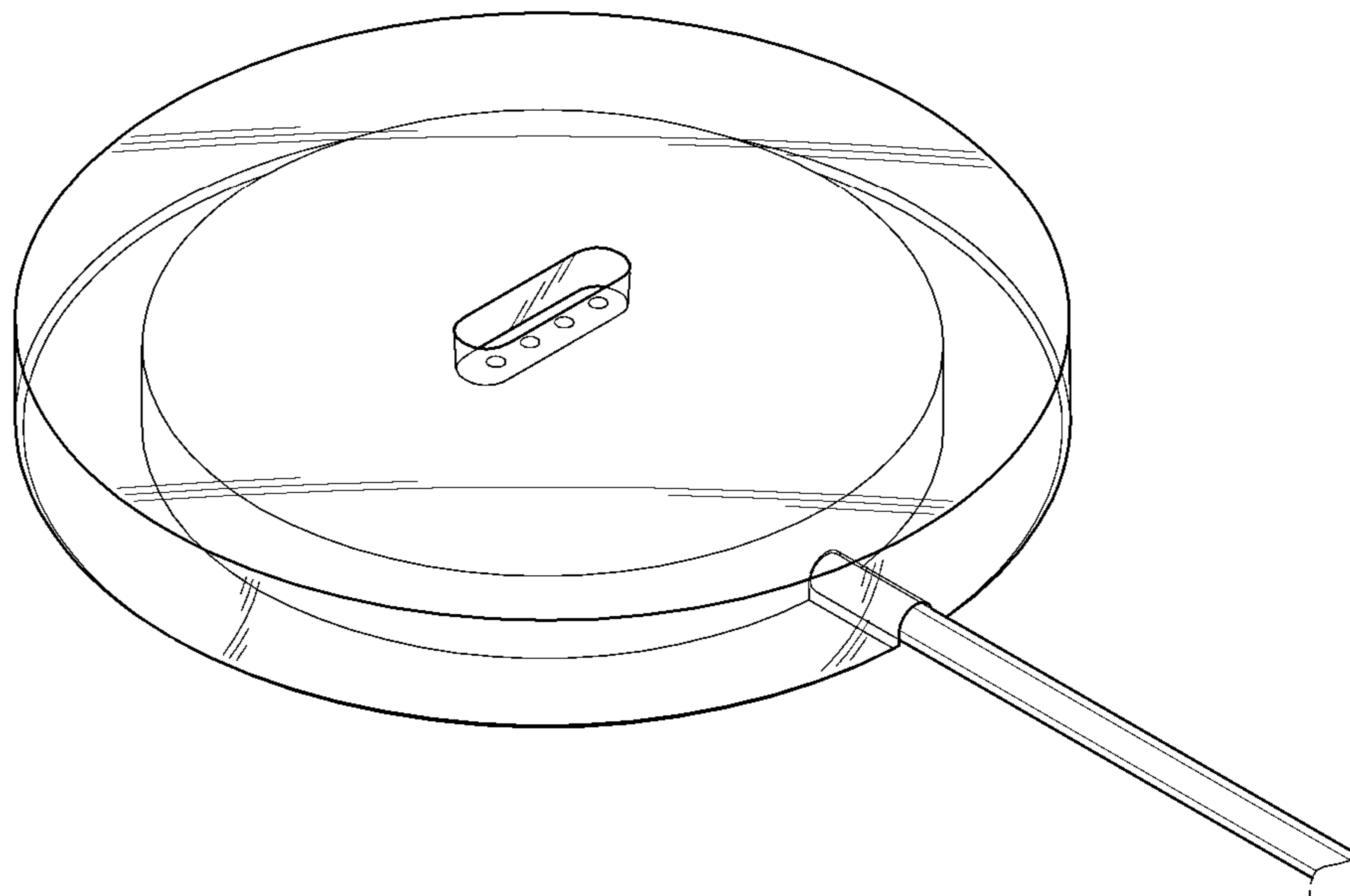
**DESCRIPTION**

FIG. 1 is a top front perspective view of a charger for an electronic device showing our new design;  
 FIG. 2 is a front elevational view thereof;  
 FIG. 3 is a rear elevational view thereof;  
 FIG. 4 is a left side elevational view thereof;  
 FIG. 5 is a right side elevational view thereof;  
 FIG. 6 is a top plan view thereof;  
 FIG. 7 is a bottom plan view thereof;  
 FIG. 8 is an additional top front perspective view thereof in a case where the upper transparent cover part is separated from the lower nontransparent charger part;  
 FIG. 9 is an additional top front perspective view thereof showing the connection of the present charger with an electronic device; and,  
 FIG. 10 is an additional top plan view thereof showing the status of connection of the present charger with the charging port of an electronic device.

The broken lines depict environmental subject matter only and form no part of the claimed design.

The present design invention refers to an ornamental design for a charger for an electronic device.

**1 Claim, 6 Drawing Sheets**



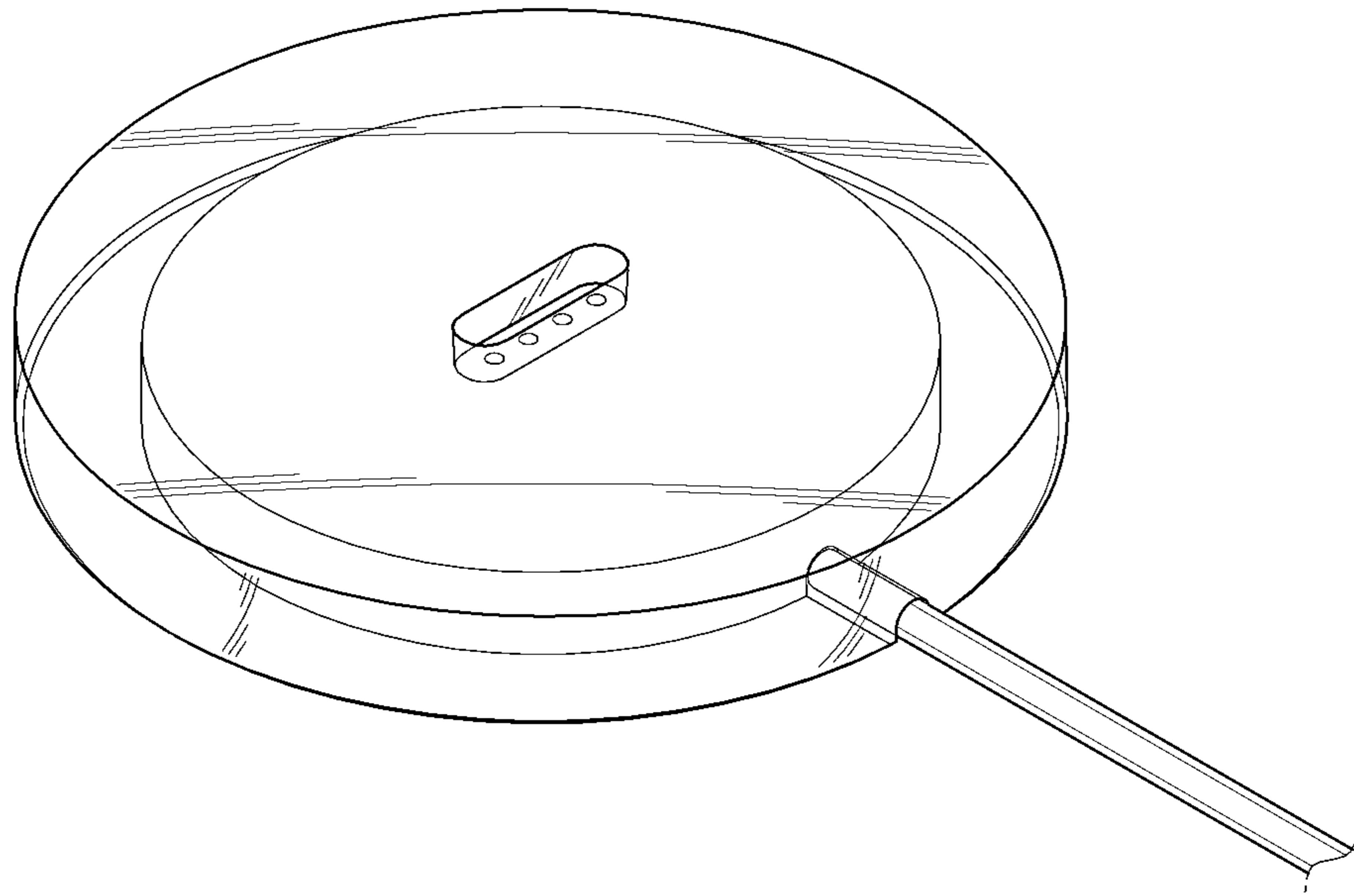


FIG.1

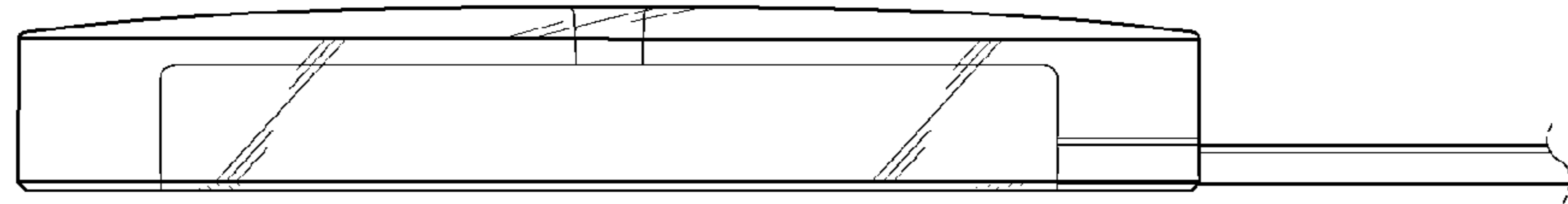


FIG. 2

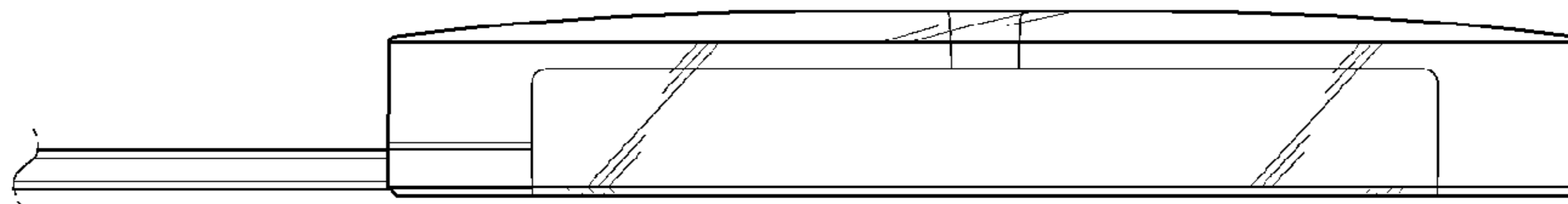


FIG. 3

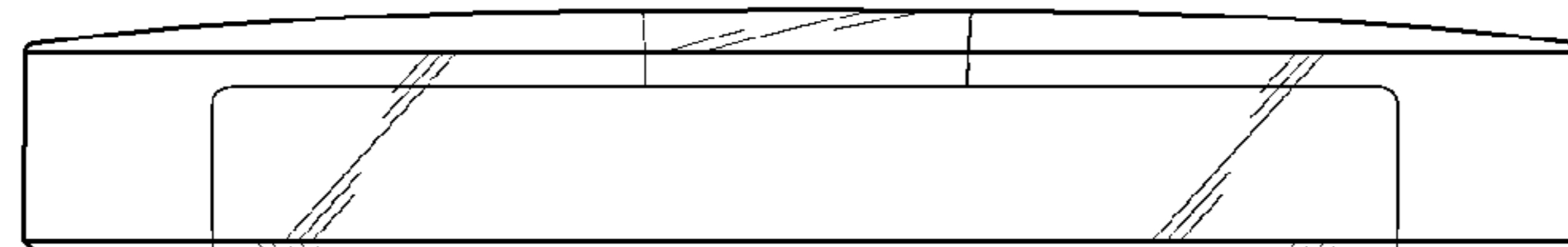


FIG. 4

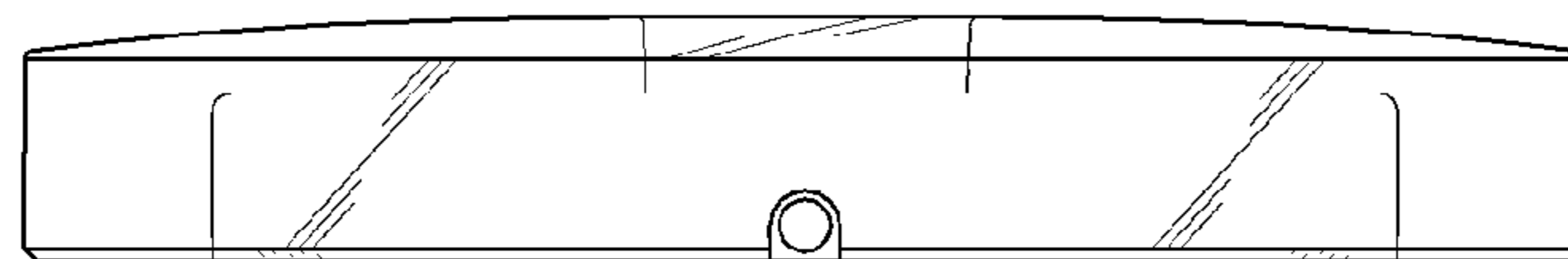


FIG. 5

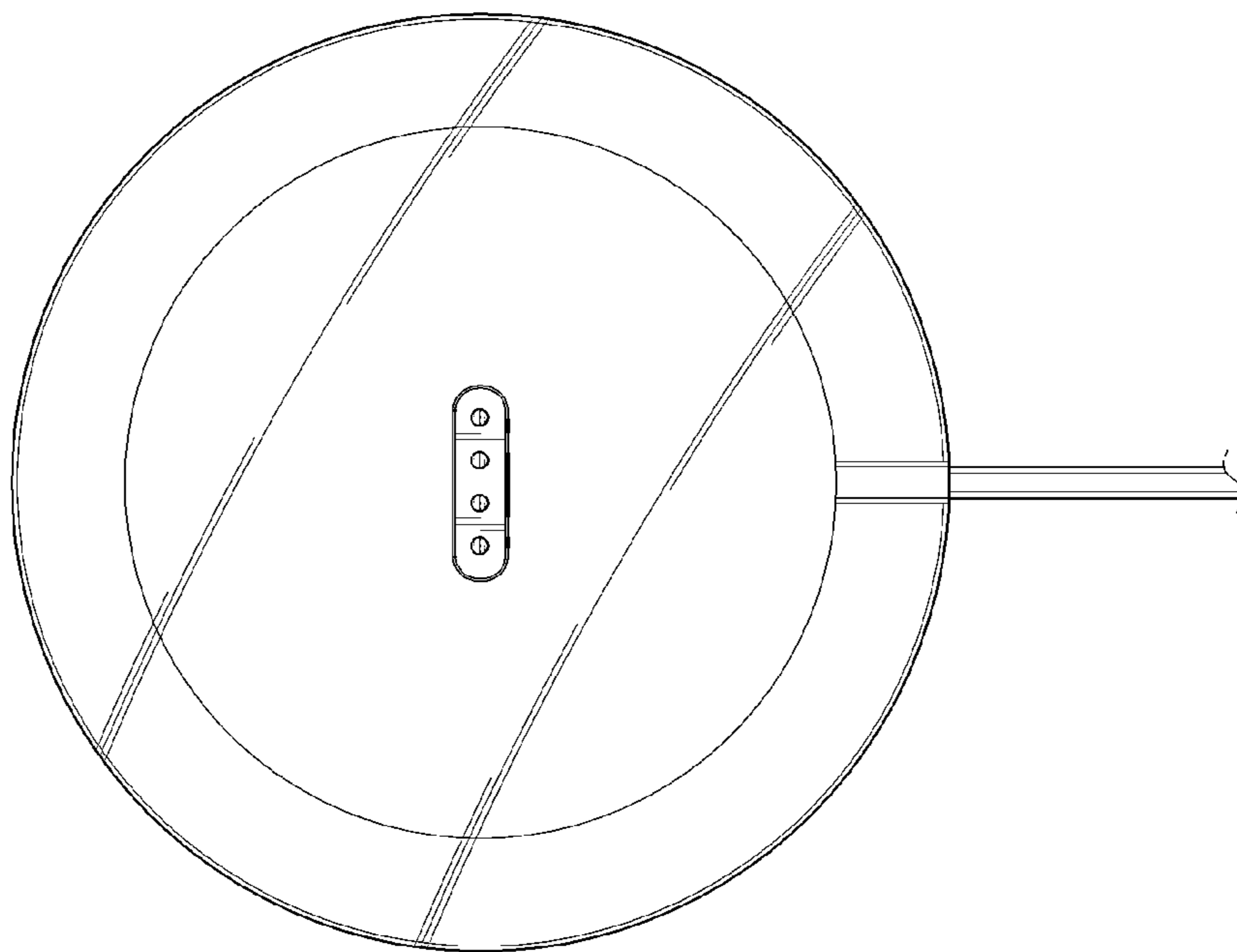


FIG. 6

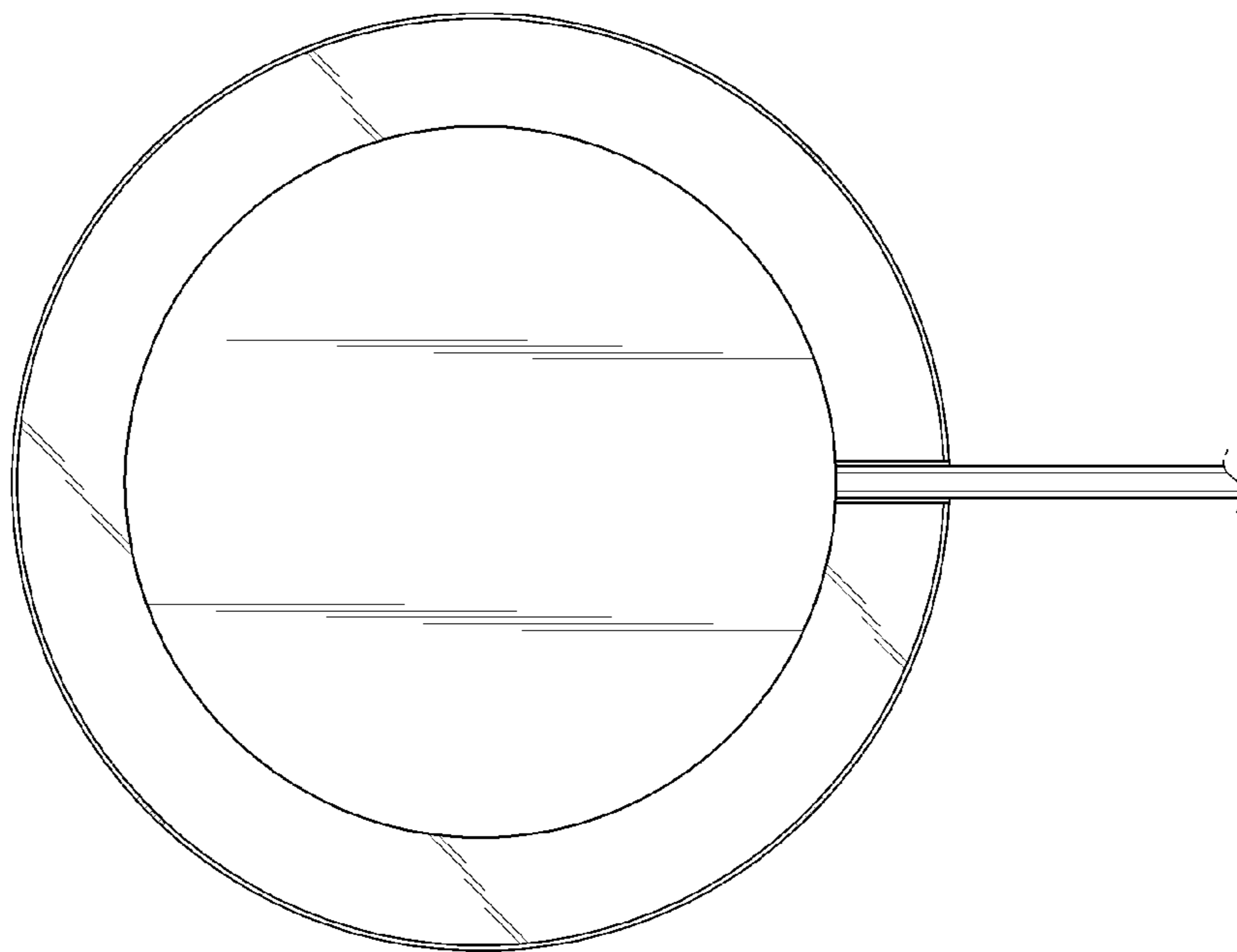


FIG. 7

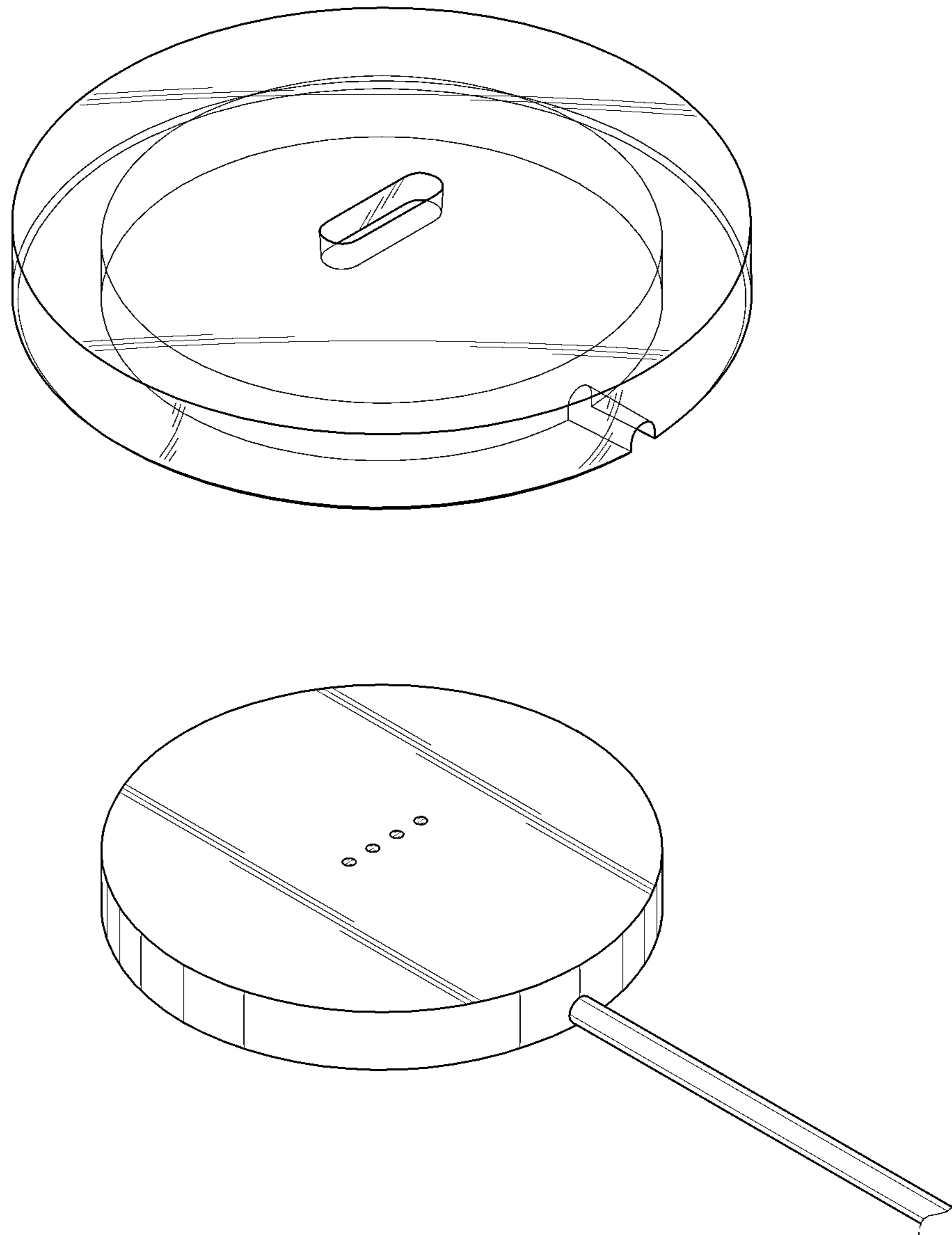


FIG.8

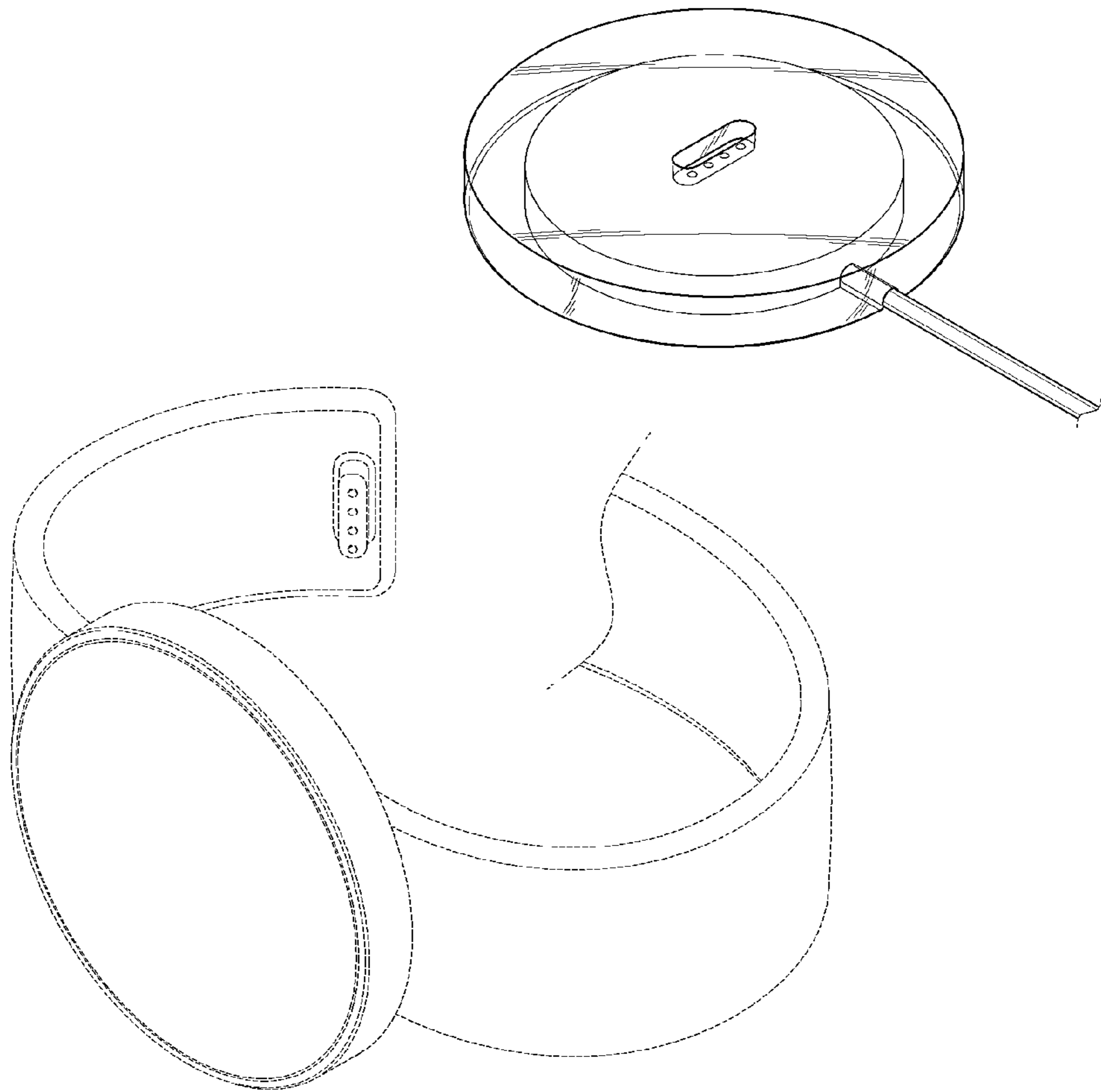


FIG.9

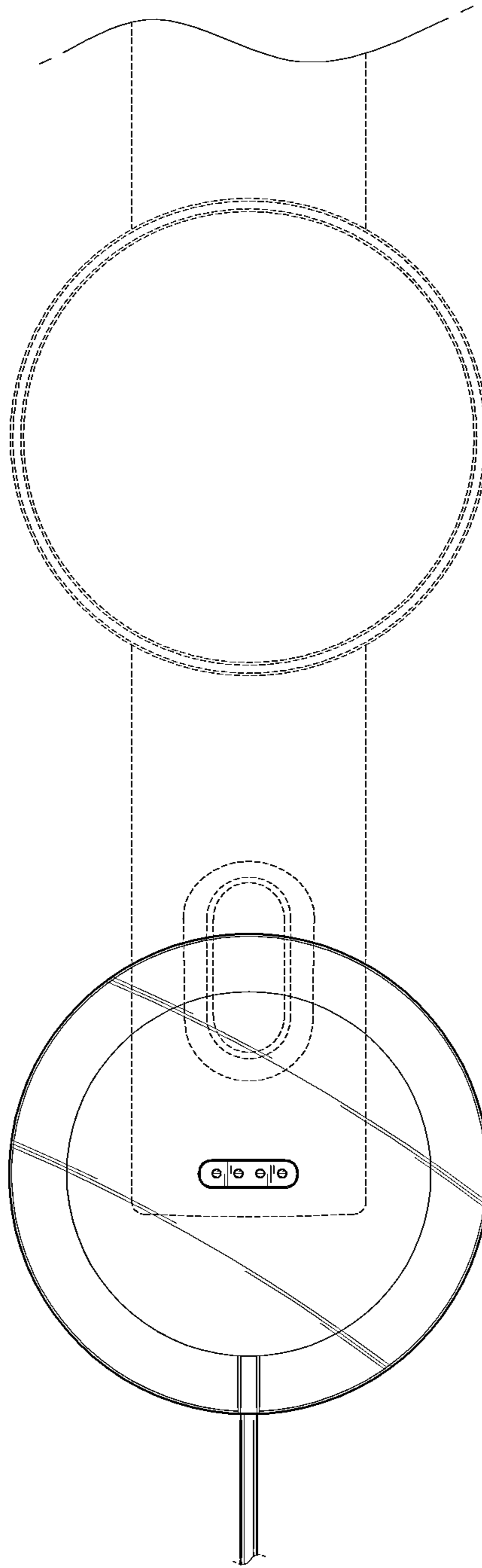


FIG.10