



US00D718710S

(12) **United States Design Patent**
Rabalais et al.

(10) **Patent No.:** **US D718,710 S**
(45) **Date of Patent:** **** Dec. 2, 2014**

(54) **BATTERY CHARGER**
(71) Applicant: **The Gillette Company**, Boston, MA (US)
(72) Inventors: **Brian Adam Rabalais**, New Milford, CT (US); **Eric Justin Price**, Wilton, CT (US); **Francisco Jose Restrepo**, Norwalk, CT (US); **Chen Jian**, ShenZhen (CN); **Zhang Yun**, ShenZhen (CN); **Paul Edward Backett**, Portland, OR (US); **David John Sayler**, Portland, OR (US); **Chunshik Kim**, Portland, OR (US)

D456,004 S 4/2002 Lie
D466,075 S 11/2002 Lie
6,876,172 B2 4/2005 Lam et al.
D513,403 S 1/2006 Lie
D513,731 S 1/2006 Kang et al.
D515,501 S 2/2006 Kawasaki
D571,722 S 6/2008 Kang et al.
D573,088 S * 7/2008 Castellucci et al. D13/107
D598,845 S 8/2009 Kingston et al.
D599,287 S * 9/2009 Kingston et al. D13/107
D614,127 S 4/2010 Kingston et al.
D623,129 S 9/2010 Kawakami et al.
D623,130 S 9/2010 Kawakami et al.
D632,646 S * 2/2011 Fitch et al. D13/107
D632,647 S * 2/2011 Fitch et al. D13/107
D634,269 S 3/2011 Griffin, Jr.
D676,806 S 2/2013 Baker et al.
D687,770 S 8/2013 Rabalais et al.

(73) Assignee: **The Gillette Company**, Boston, MA (US)

(**) Term: **14 Years**

(21) Appl. No.: **29/466,829**

(22) Filed: **Sep. 12, 2013**

(51) **LOC (10) Cl.** **13-02**

(52) **U.S. Cl.**
USPC **D13/107**

(58) **Field of Classification Search**
USPC D13/107-110, 118-119, 184, 199;
D14/251, 253, 432, 434; 320/107-115,
320/128, 137-140
See application file for complete search history.

(56) **References Cited**

U.S. PATENT DOCUMENTS

D298,136 S * 10/1988 Toth et al. D18/54
D327,247 S * 6/1992 Higuchi et al. D13/108
5,220,270 A * 6/1993 Peickert 320/107
D409,976 S * 5/1999 Buck D13/107
D412,487 S 8/1999 Nagele et al.
D443,856 S 6/2001 Lehtovaara
D454,837 S 3/2002 Ibuki et al.

(Continued)

Primary Examiner — Rosemary K Tarcza

(74) *Attorney, Agent, or Firm* — Leo J. White; Kevin C. Johnson; Steven W. Miller

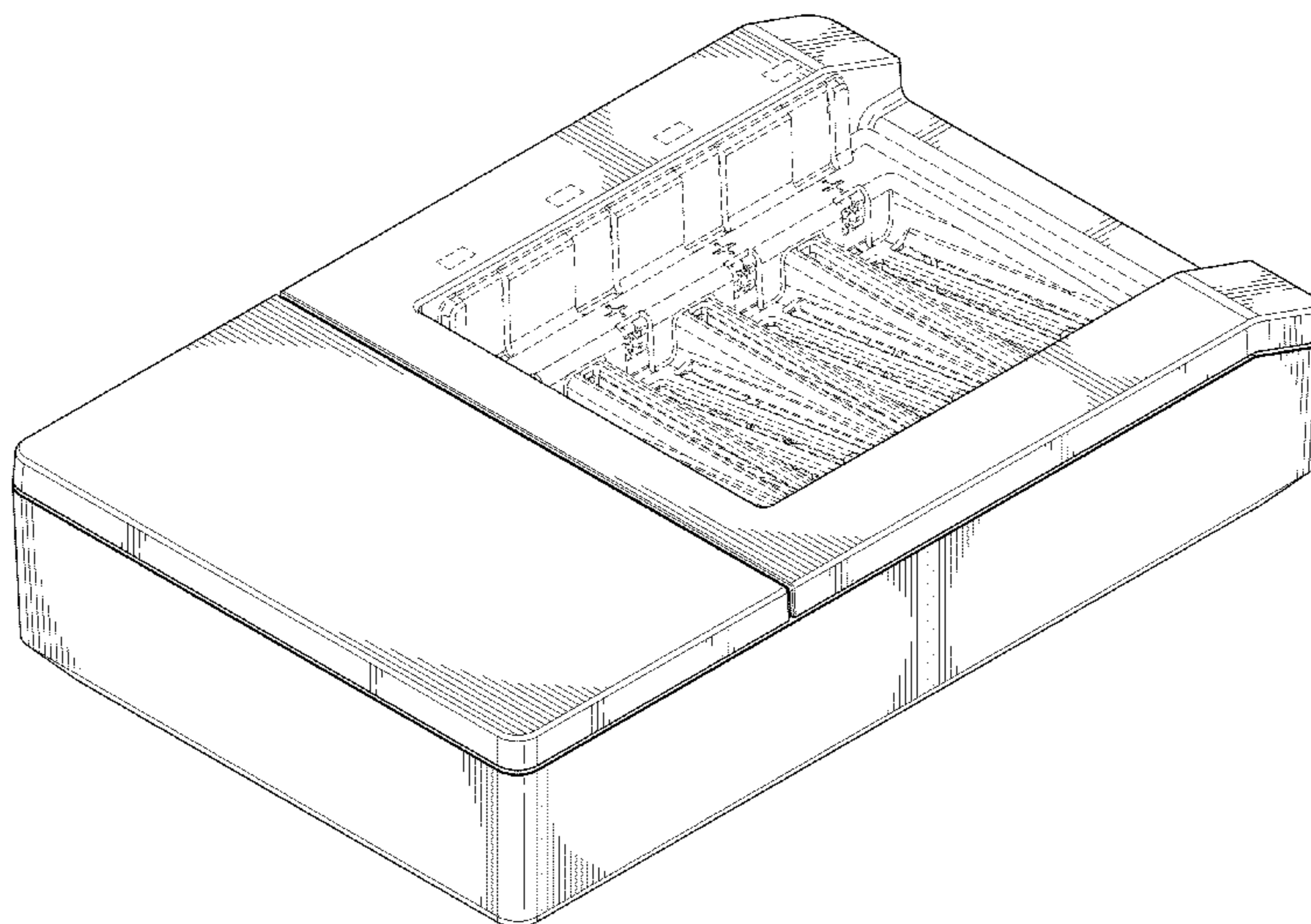
(57) **CLAIM**

The ornamental design for a battery charger, as shown and described above.

DESCRIPTION

FIG. 1 is a top perspective view of a design for a battery charger of the present invention;
FIG. 2 is a left side view thereof;
FIG. 3 is a right side view thereof;
FIG. 4 is a front view thereof;
FIG. 5 is a back view thereof;
FIG. 6 is a top view thereof;
FIG. 7 is a bottom view thereof; and,
FIG. 8 is a bottom perspective view thereof.
The broken lines shown in the drawings are included for the purpose of illustrating environmental structure and form no part of the claimed design.

1 Claim, 6 Drawing Sheets



(56)

References Cited

U.S. PATENT DOCUMENTS

D687,773 S * 8/2013 Huang et al. D13/108
8,643,325 B2 * 2/2014 Yang 320/107
2002/0063550 A1 5/2002 Chen et al.

2004/0130289 A1 7/2004 Lam et al.
2010/0109605 A1 * 5/2010 Nakasho et al. 320/113
2011/0148357 A1 6/2011 Lu
2013/0169228 A1 * 7/2013 Yang 320/110

* cited by examiner

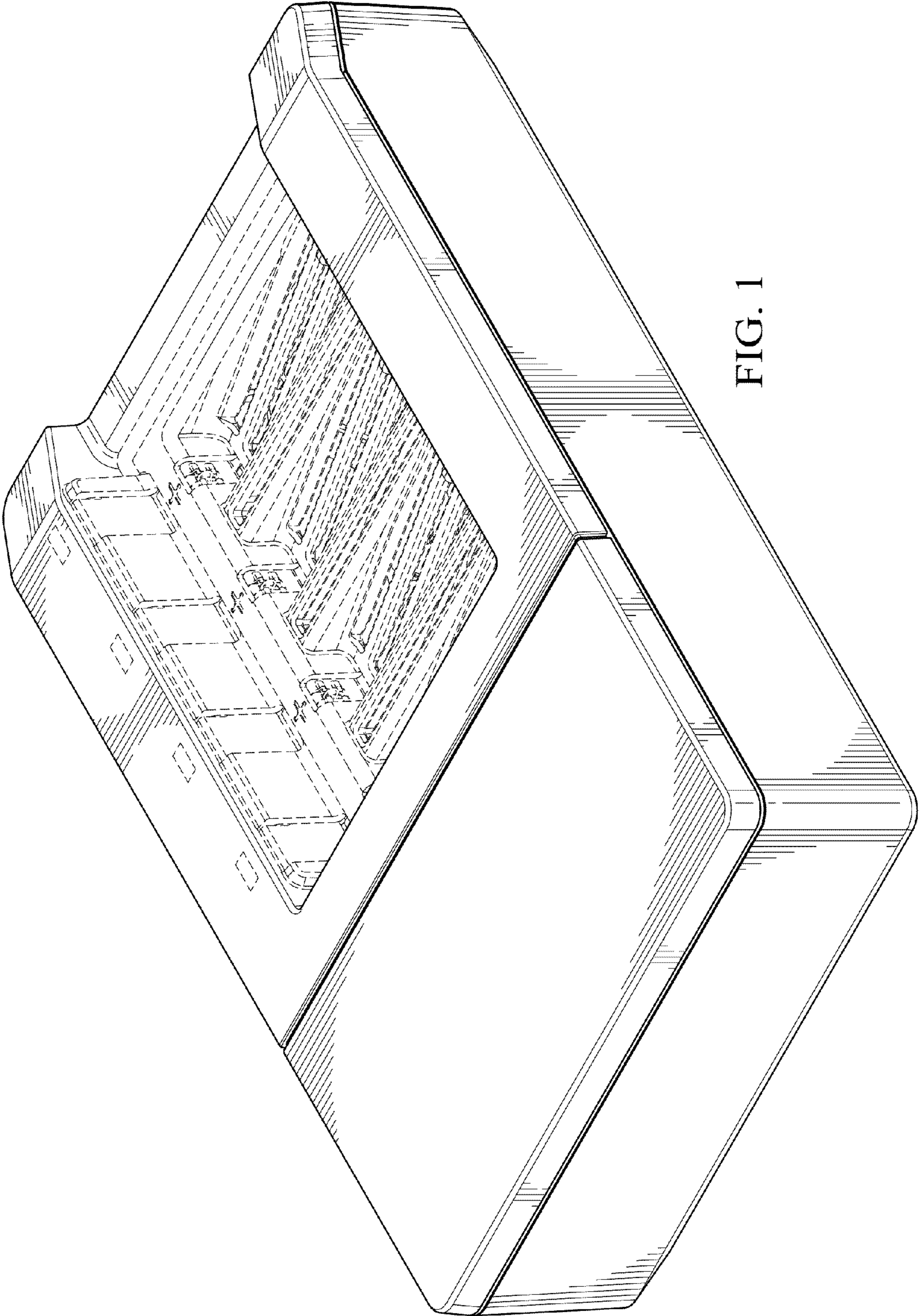


FIG. 1

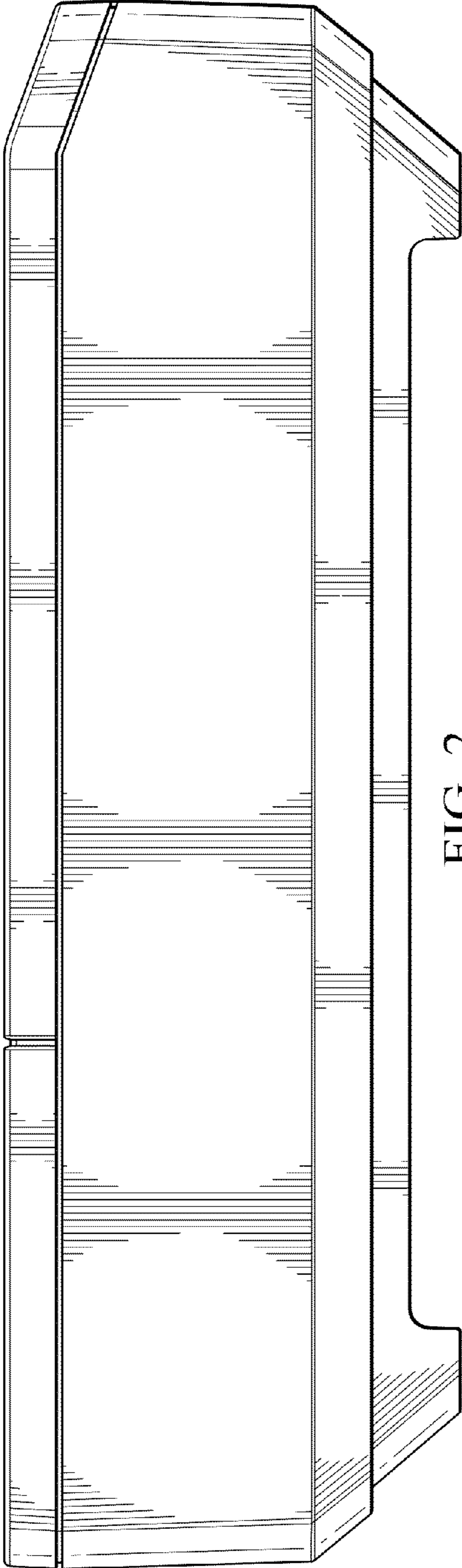


FIG. 2

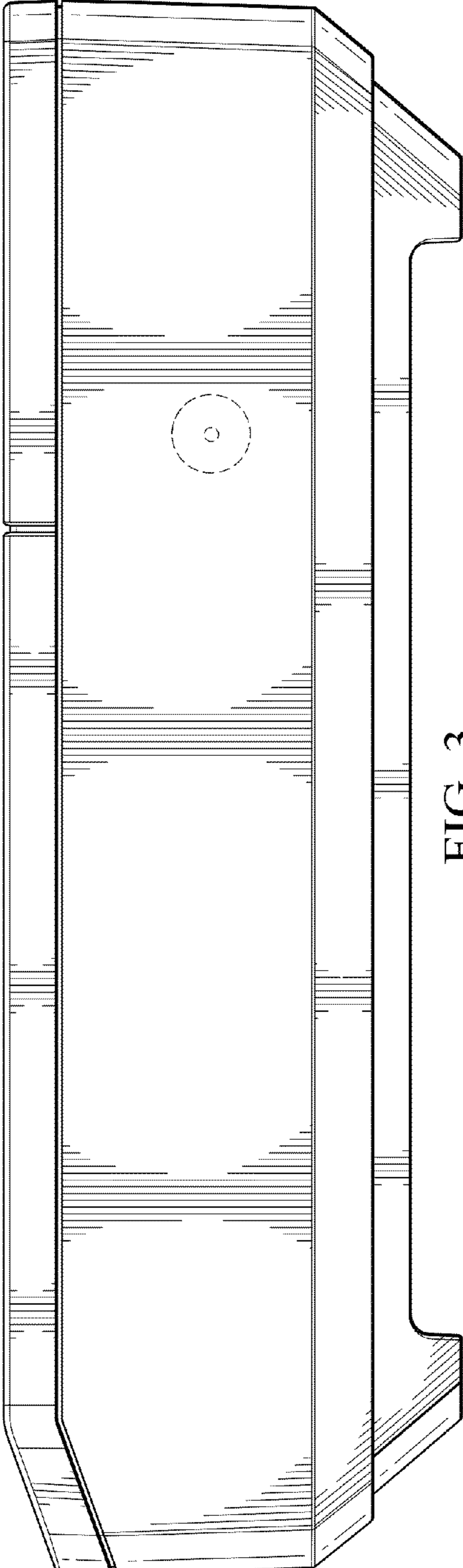


FIG. 3

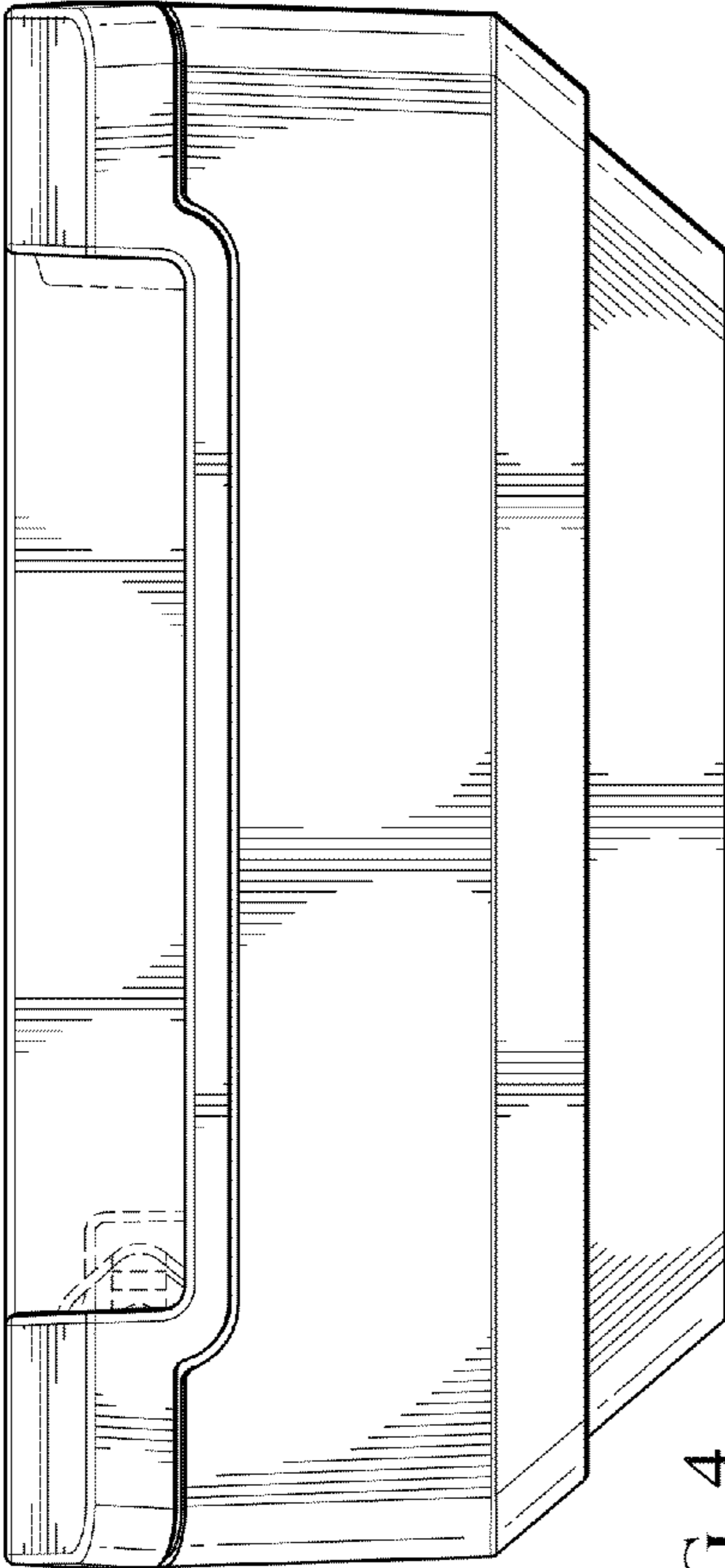


FIG. 4

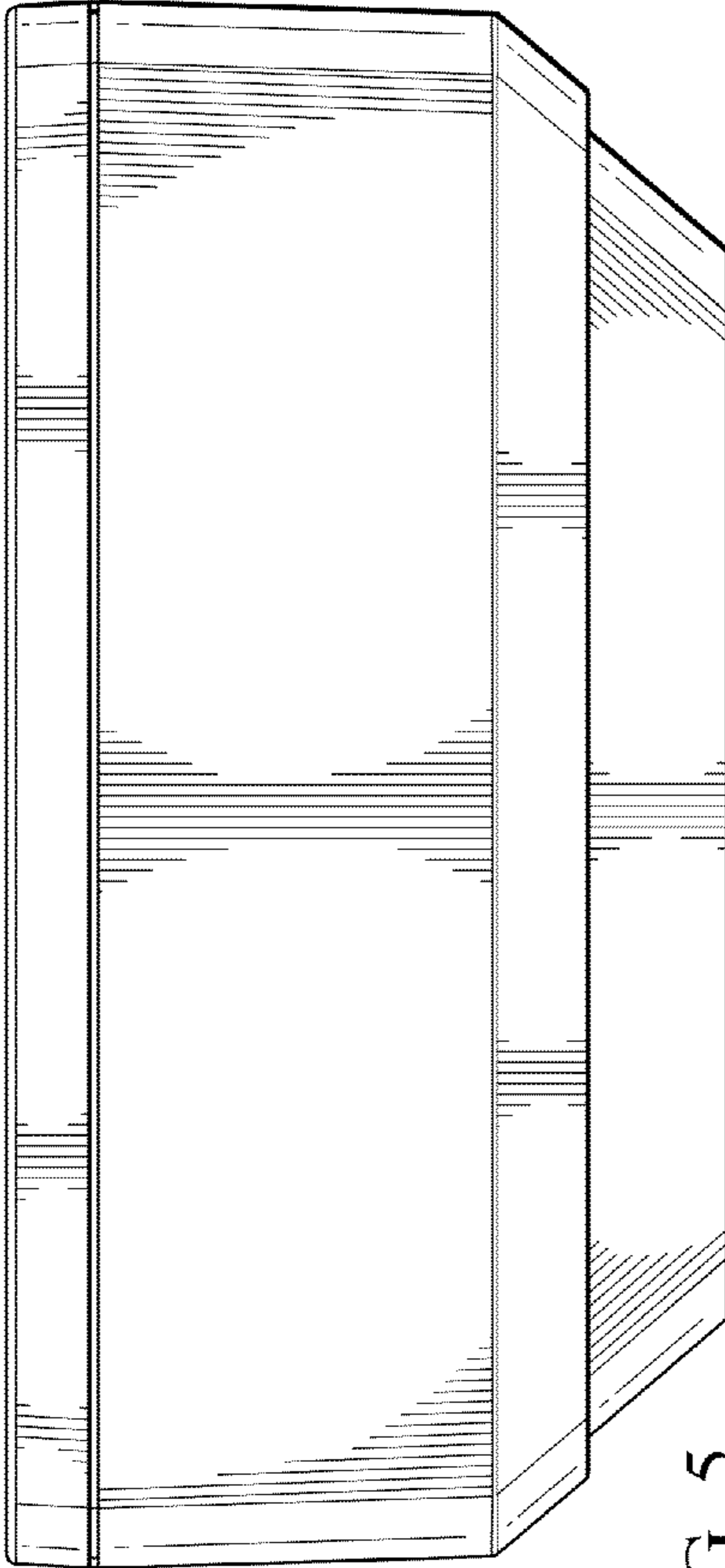


FIG. 5

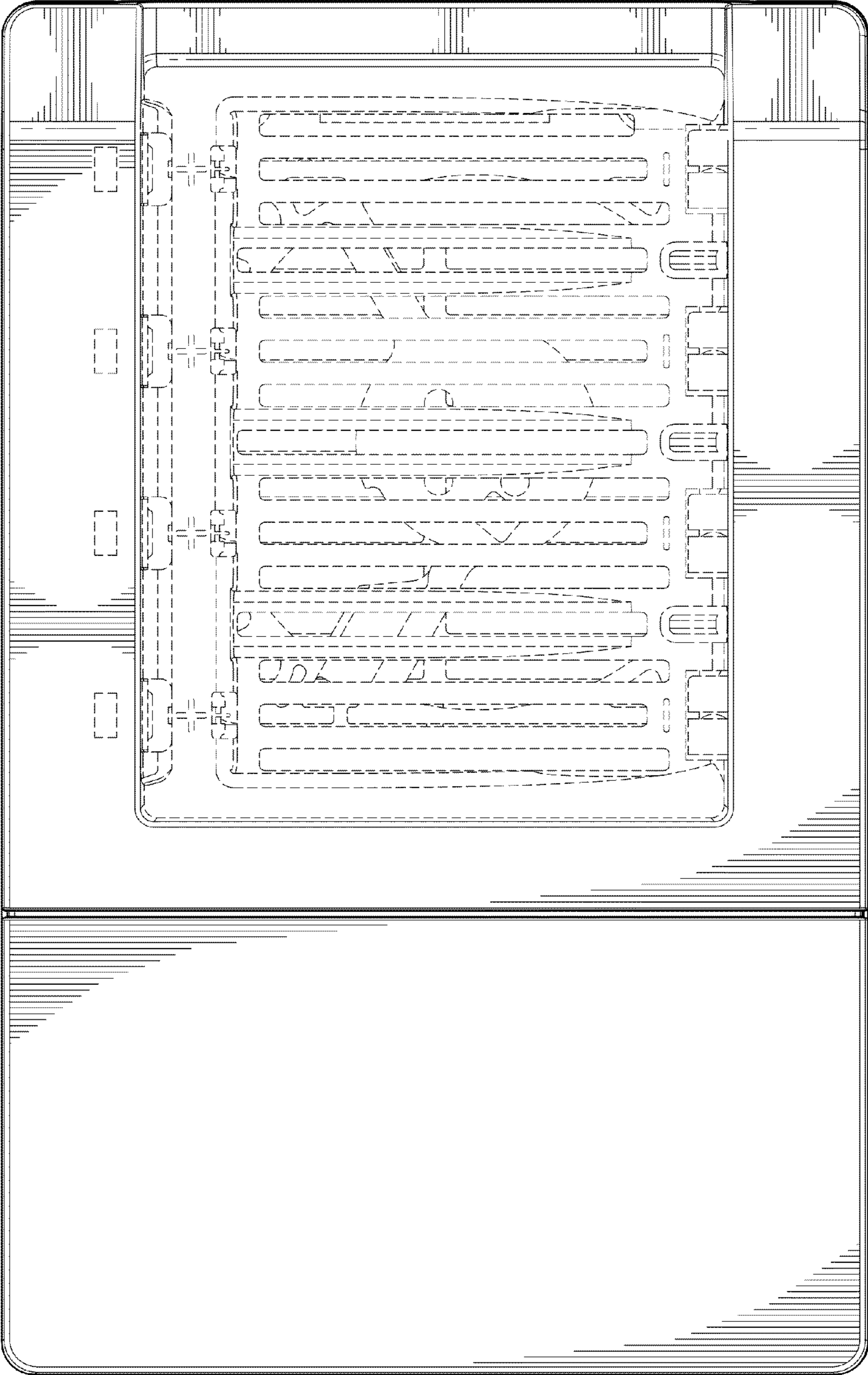


FIG. 6

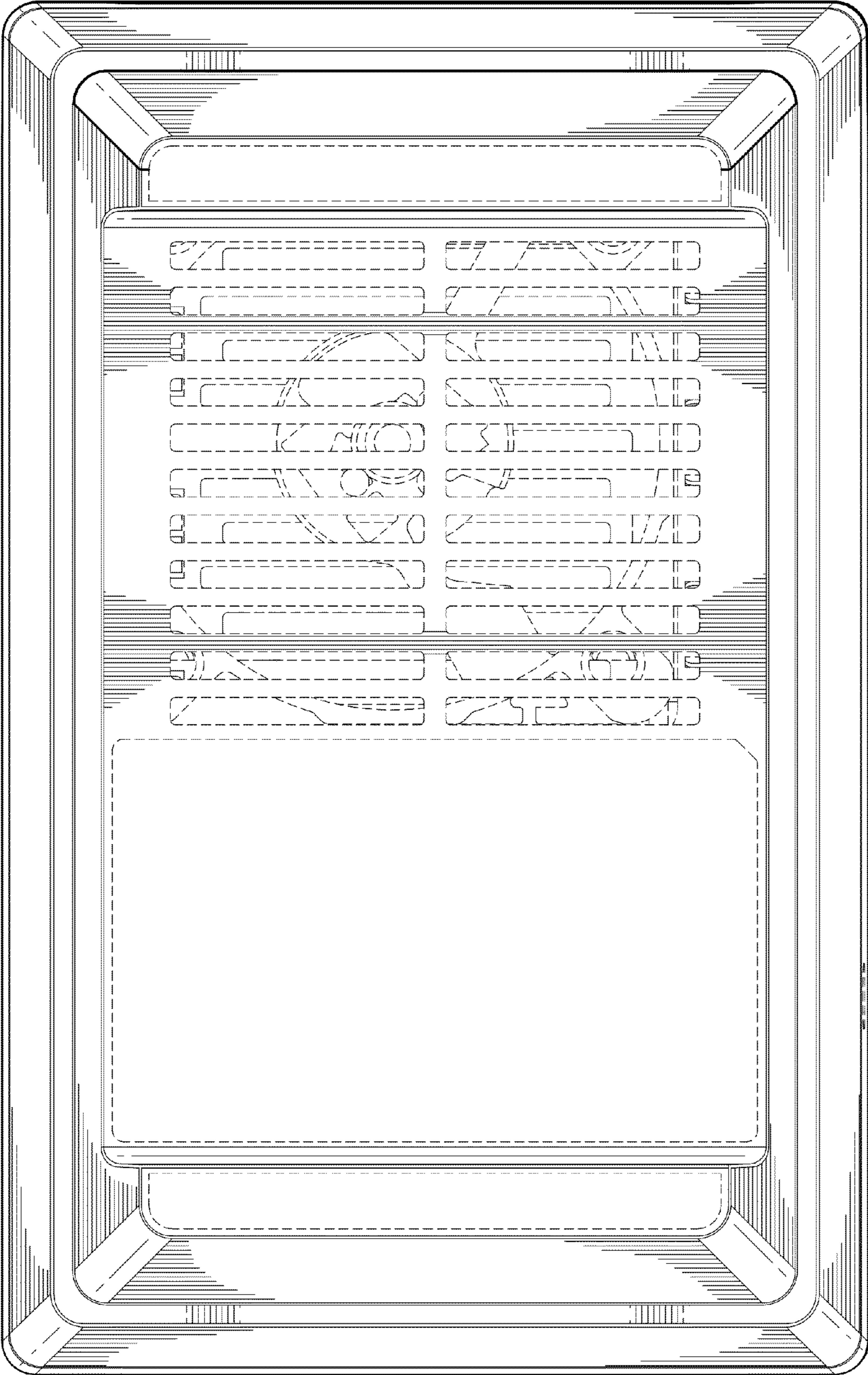


FIG. 7

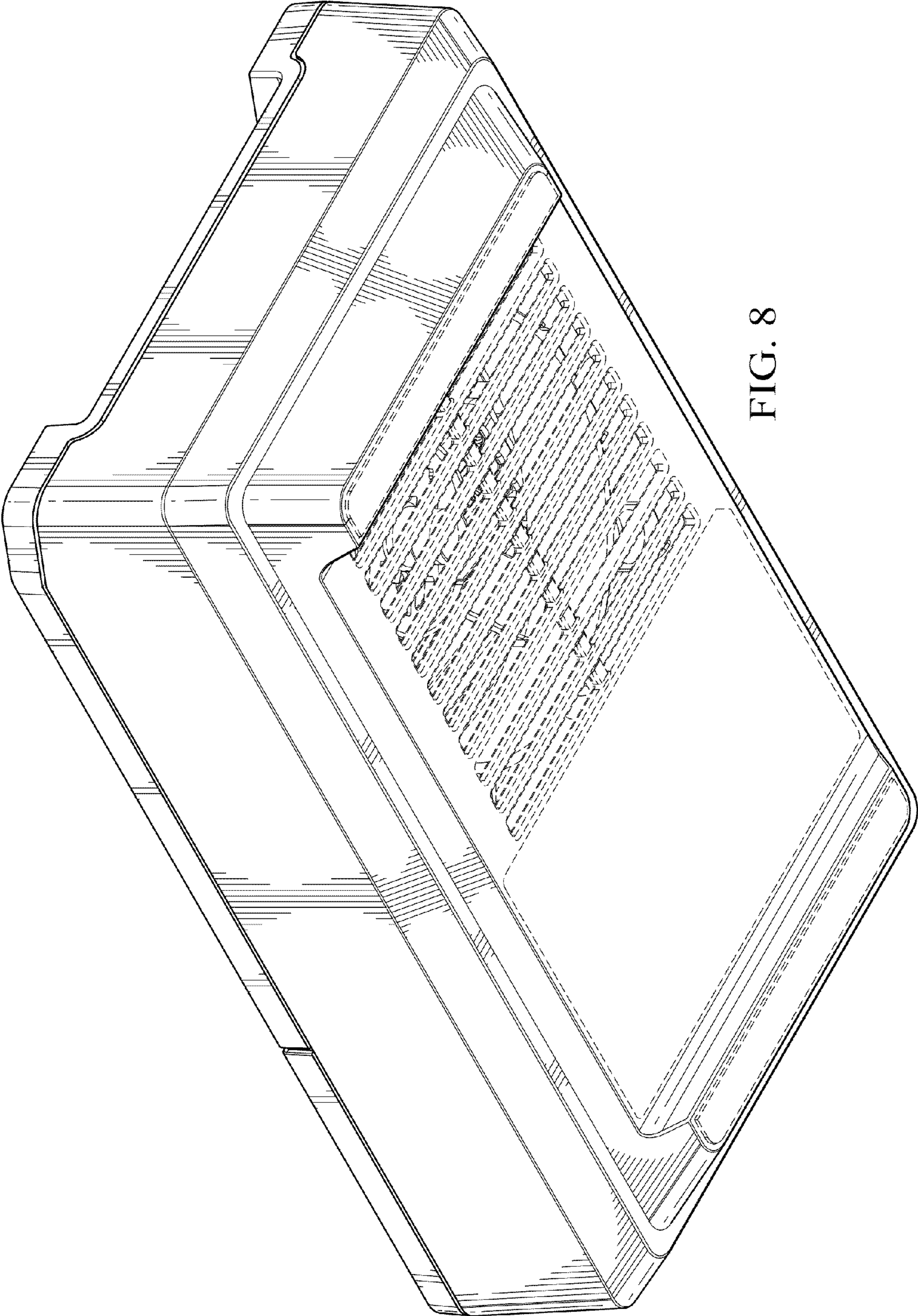


FIG. 8