



US00D718708S

(12) **United States Design Patent**  
**Moribe et al.**

(10) **Patent No.:** **US D718,708 S**  
(45) **Date of Patent:** **\*\* Dec. 2, 2014**

- (54) **ELECTRIC VEHICLE CHARGER**
- (71) Applicants: **Denso Wave Incorporation**, Aichi-pref. (JP); **DENSO CORPORATION**, Aichi-pref. (JP)
- (72) Inventors: **Nobuo Moribe**, Obu (JP); **Yuji Tsuchiya**, Nagoya (JP); **Hironobu Ando**, Obu (JP)
- (73) Assignees: **Denso Wave Incorporated**, Tokyo (JP); **DENSO CORPORATION**, Kariya (JP)

D311,487 S *	10/1990	Platt .....	D8/396
D356,024 S *	3/1995	Whitley et al. ....	D8/356
D376,309 S *	12/1996	Takai .....	D8/380
D377,142 S *	1/1997	Yang .....	D8/356
D378,408 S *	3/1997	Pyeatt et al. ....	D24/128
D390,066 S *	2/1998	Watkins et al. ....	D7/633
D395,815 S *	7/1998	Walters et al. ....	D8/354

(Continued)

*Primary Examiner* — Rosemary K Tarcza  
(74) *Attorney, Agent, or Firm* — Posz Law Group, PLC

(\*\*) Term: **14 Years**

(21) Appl. No.: **29/446,666**

(22) Filed: **Feb. 26, 2013**

(30) **Foreign Application Priority Data**

Aug. 27, 2012 (JP) ..... 2012-020525

(51) **LOC (10) Cl.** ..... **13-02**

(52) **U.S. Cl.**  
USPC ..... **D13/107; D13/118**

(58) **Field of Classification Search**  
USPC ..... D13/106–110, 118–119, 155, 184, 199;  
D15/9; 320/103–115; D8/349, 354,  
D8/356, 380, 499  
See application file for complete search history.

(56) **References Cited**

U.S. PATENT DOCUMENTS

D207,795 S *	5/1967	Rosati .....	D8/356
D246,148 S *	10/1977	Kusek .....	D6/301
D269,851 S *	7/1983	Kimura .....	D8/356
D275,174 S *	8/1984	Rolli .....	D8/356
D277,063 S *	1/1985	Hauser .....	D6/303

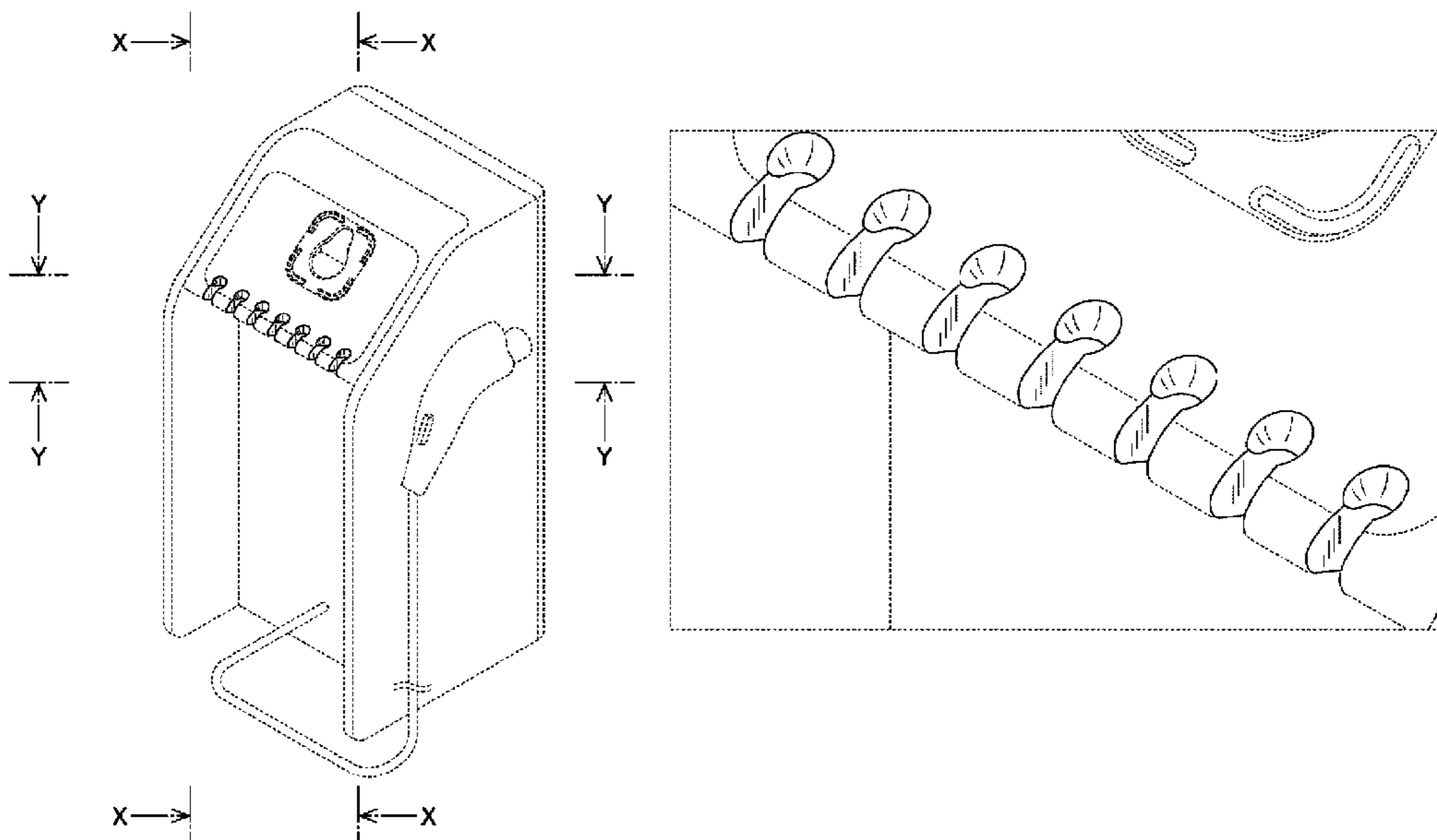
(57) **CLAIM**  
The ornamental design for an electric vehicle charger, as shown and described.

**DESCRIPTION**

FIG. 1 is a perspective view of an electric vehicle charger; FIG. 2 is a front view of the electric vehicle charger; FIG. 3 is a rear view of the electric vehicle charger; FIG. 4 is a right side view of the electric vehicle charger; FIG. 5 is a left side view of the electric vehicle charger; FIG. 6 is a top view of the electric vehicle charger; FIG. 7 is a bottom view of the electric vehicle charger; FIG. 8 is an enlarged front view defined by the ranges A-A and B-B of FIG. 2; FIG. 9 is an enlarged cross-sectional view defined by the ranges D-D and E-E of FIG. 6, and range M-M of FIG. 4, and taken along line C-C of FIG. 8; FIG. 10 is an enlarged top view defined by the ranges D-D and E-E of FIG. 6; and, FIG. 11 is an enlarged perspective view defined by the ranges X-X and Y-Y of FIG. 1.

The broken line showing of a body, a connector and an electric cable is for the purpose of illustrating unclaimed portions of the electric vehicle charger and forms no part of the claimed design.

**1 Claim, 11 Drawing Sheets**



(56)

**References Cited**

U.S. PATENT DOCUMENTS

D398,313 S \* 9/1998 Allen ..... D15/143  
 D406,749 S \* 3/1999 Selk ..... D8/356  
 D427,048 S \* 6/2000 Potter et al. .... D8/356  
 D453,103 S \* 1/2002 Tell ..... D8/356  
 D468,996 S \* 1/2003 Sarkinen et al. .... D8/356  
 D488,054 S \* 4/2004 Myers ..... D8/356  
 D490,057 S \* 5/2004 Takeshima et al. .... D13/119  
 D523,810 S \* 6/2006 Doong ..... D13/108  
 D552,543 S \* 10/2007 Su ..... D13/122  
 D568,723 S \* 5/2008 Morgan ..... D8/356  
 D571,191 S \* 6/2008 Ruggiero ..... D8/356  
 D576,867 S \* 9/2008 Kretz ..... D8/356  
 D587,101 S \* 2/2009 Morgan ..... D8/356  
 D587,102 S \* 2/2009 Morgan ..... D8/356  
 D589,782 S \* 4/2009 Rowell et al. .... D8/356  
 D597,403 S \* 8/2009 Ho et al. .... D8/396

D598,275 S \* 8/2009 Rowell et al. .... D8/356  
 D601,879 S \* 10/2009 Kim et al. .... D8/356  
 D608,621 S \* 1/2010 Yu Chen ..... D8/356  
 D635,447 S \* 4/2011 Henry ..... D8/356  
 D638,690 S \* 5/2011 Hoek ..... D8/356  
 D638,691 S \* 5/2011 Hoek ..... D8/356  
 D639,145 S \* 6/2011 Hoek ..... D8/356  
 D639,146 S \* 6/2011 Hoek ..... D8/356  
 D640,527 S \* 6/2011 Hoek ..... D8/356  
 D644,501 S \* 9/2011 Chen ..... D8/356  
 D653,100 S \* 1/2012 Chen ..... D8/356  
 D663,274 S \* 7/2012 Gretz ..... D13/155  
 D674,271 S \* 1/2013 Rodwin ..... D8/356  
 D691,873 S \* 10/2013 Ganski ..... D8/356  
 D691,874 S \* 10/2013 Ganski ..... D8/356  
 D691,875 S \* 10/2013 Ganski ..... D8/356  
 D691,876 S \* 10/2013 Ganski ..... D8/356  
 D691,878 S \* 10/2013 Ganski ..... D8/356  
 D698,309 S \* 1/2014 Moribe et al. .... D13/107

\* cited by examiner

FIG. 1

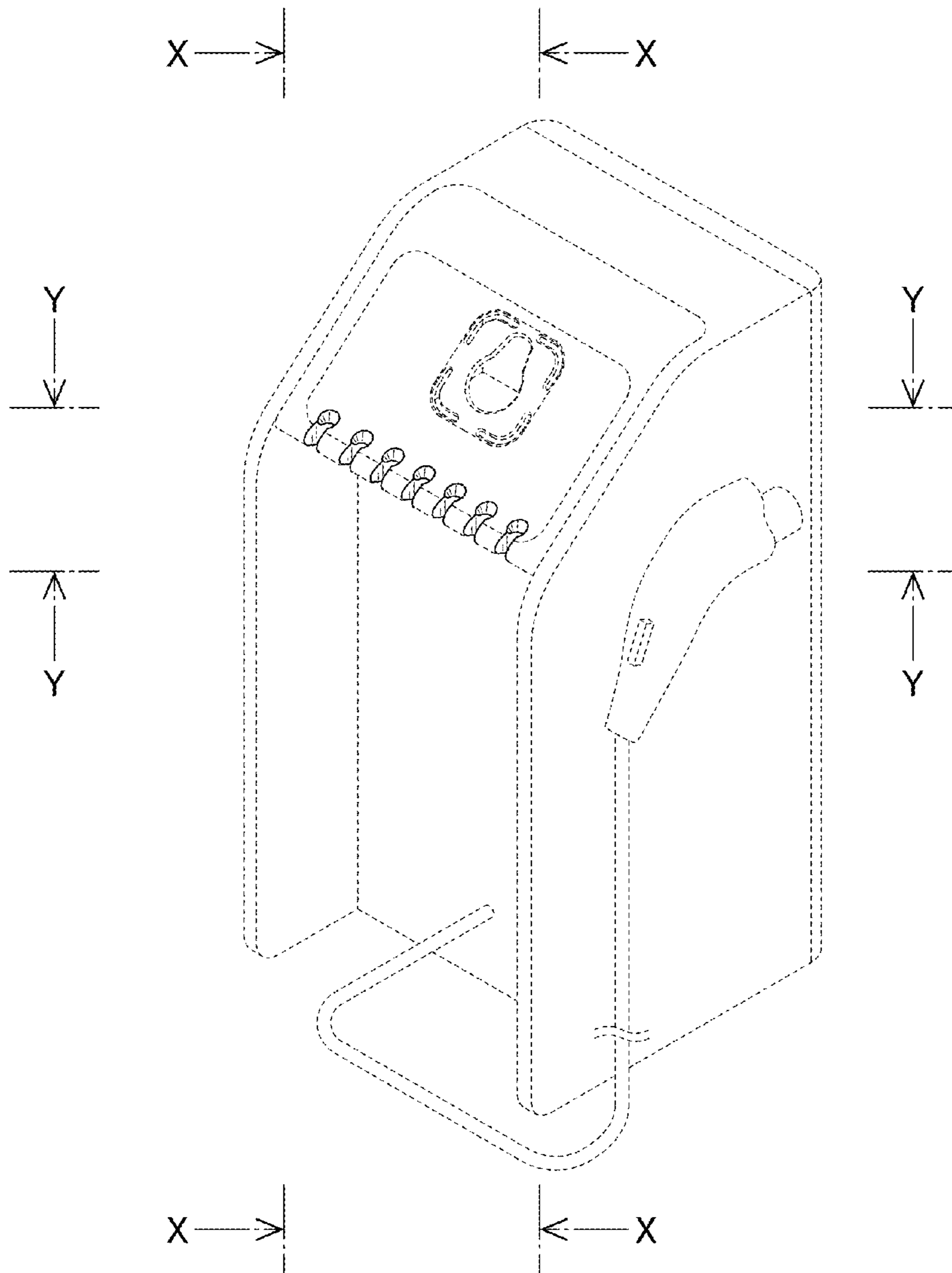


FIG. 2

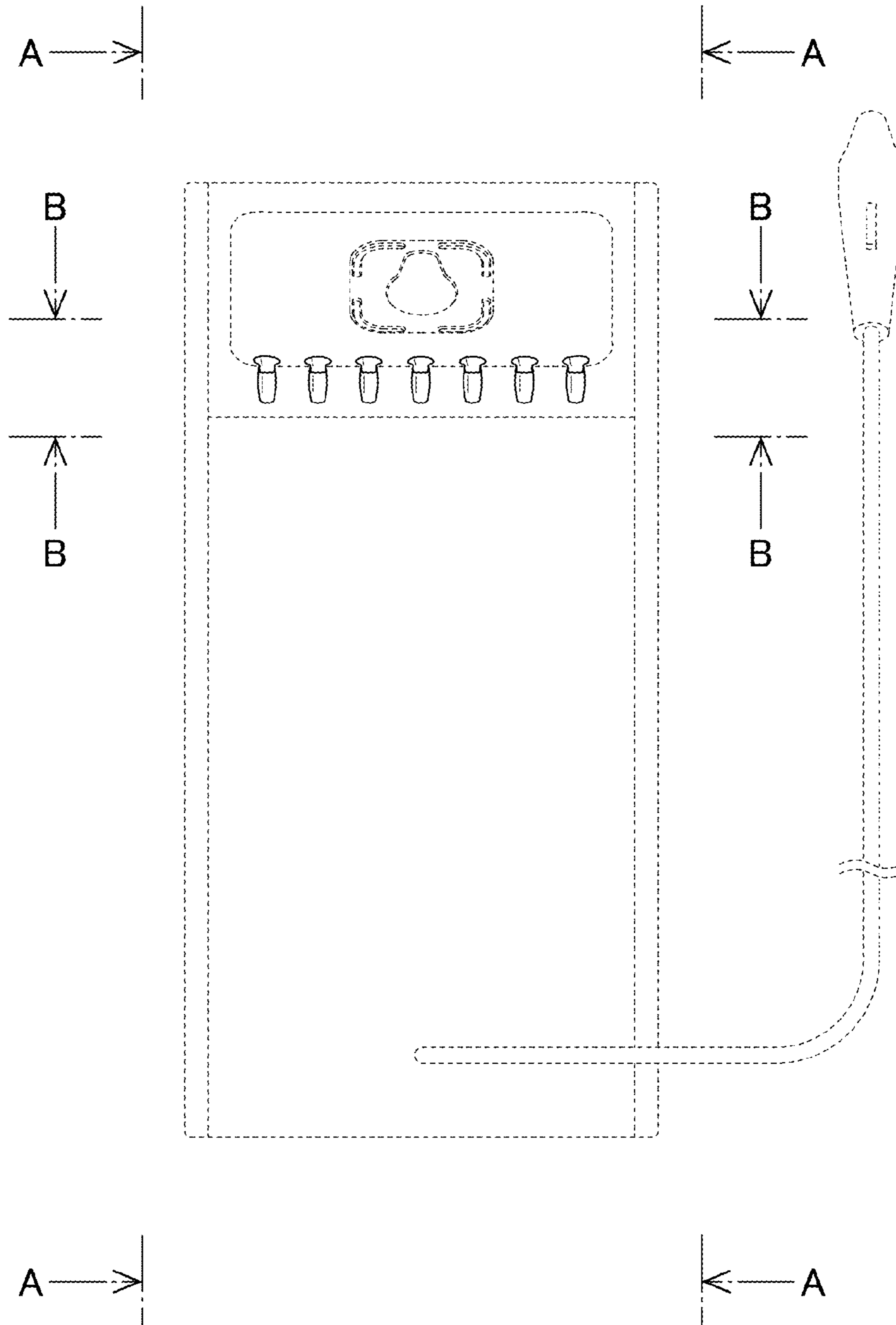


FIG.3

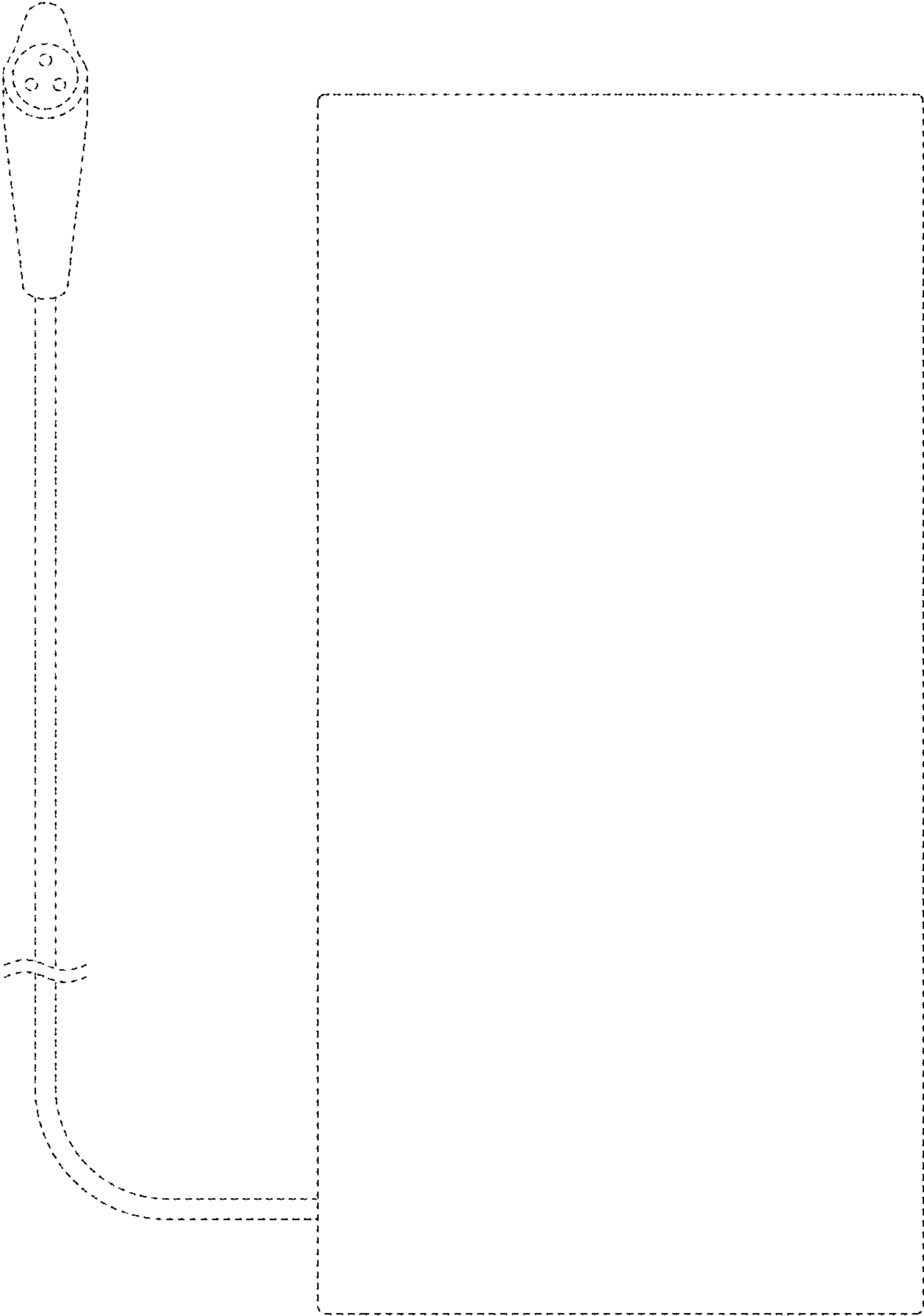


FIG. 4

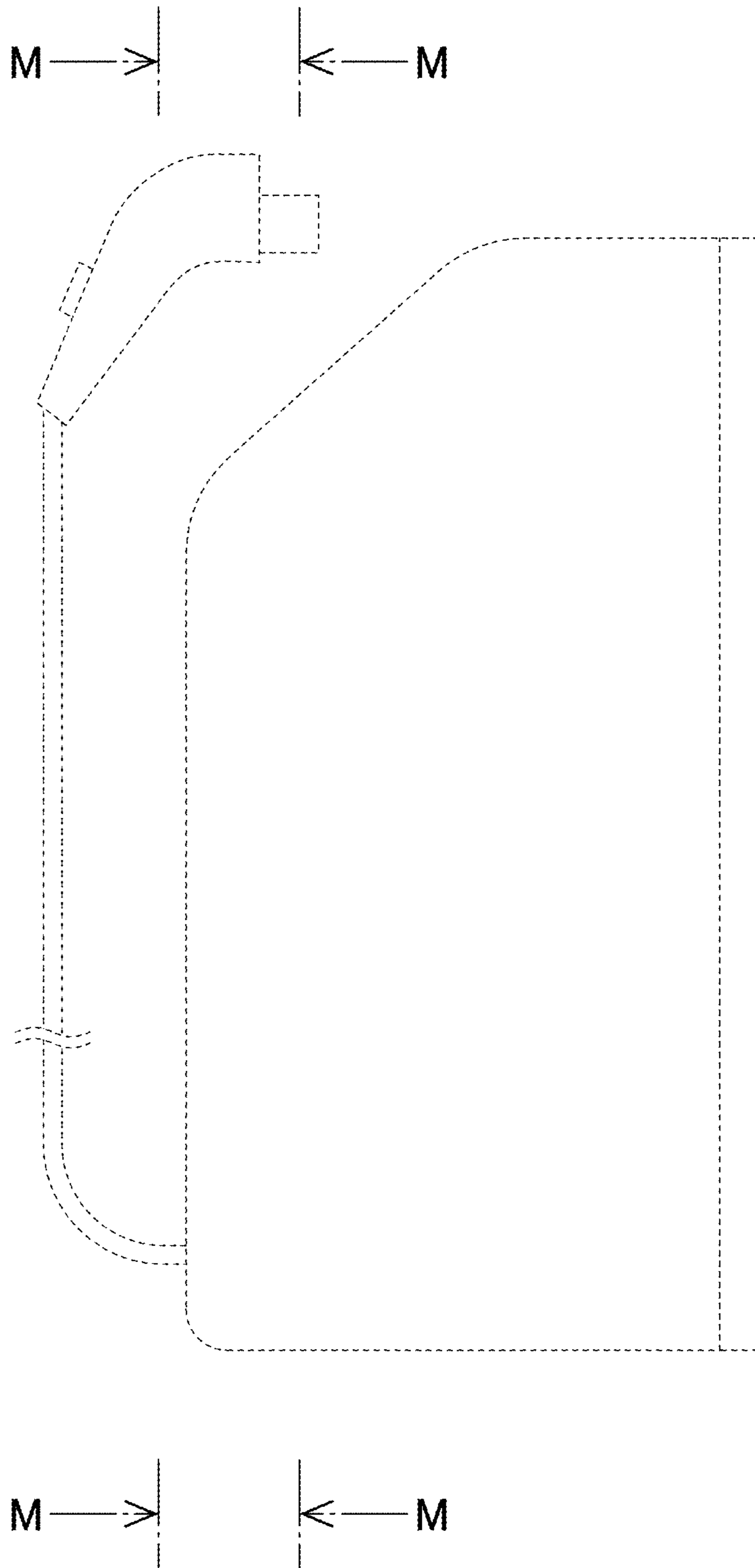


FIG.5

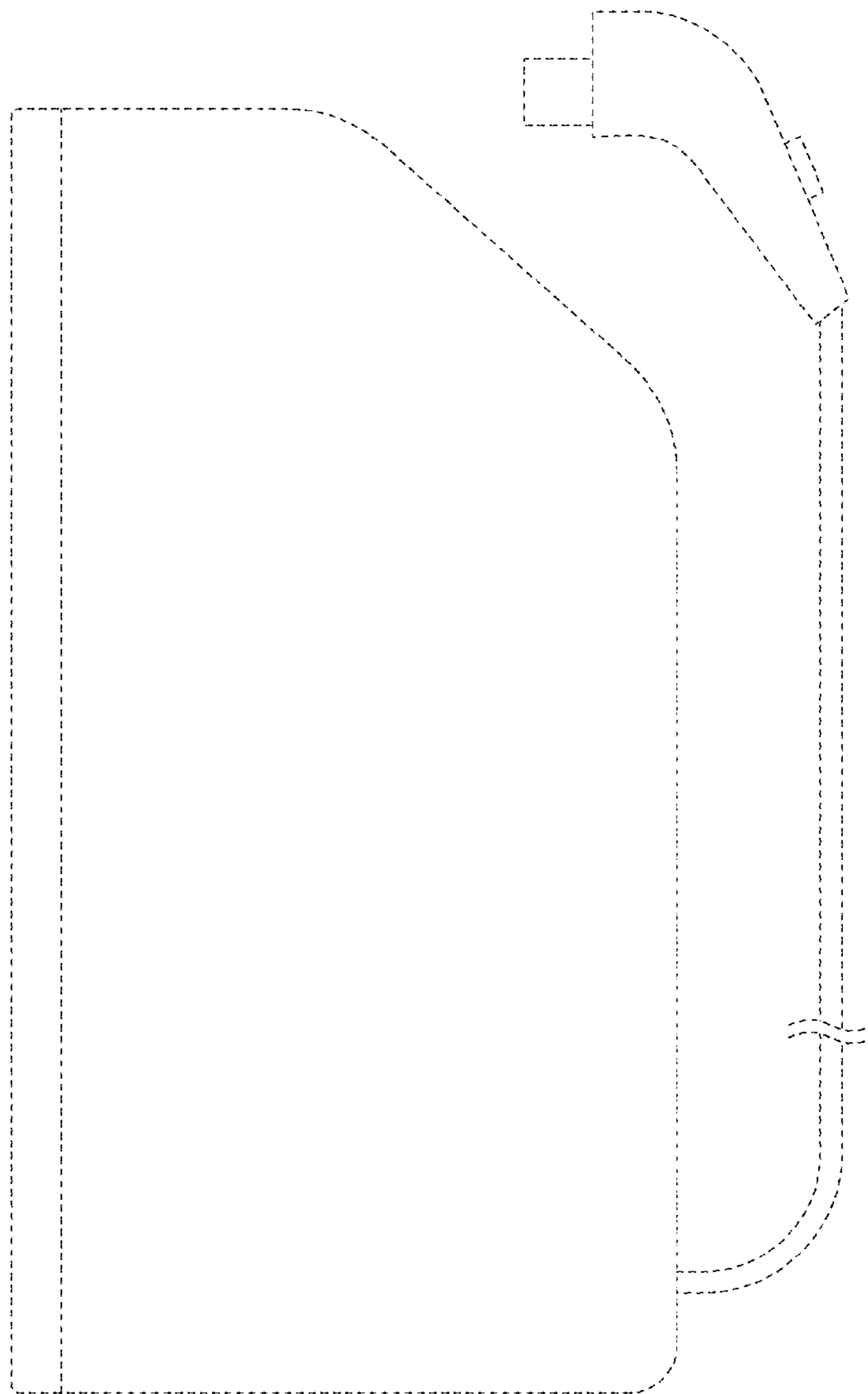


FIG. 6

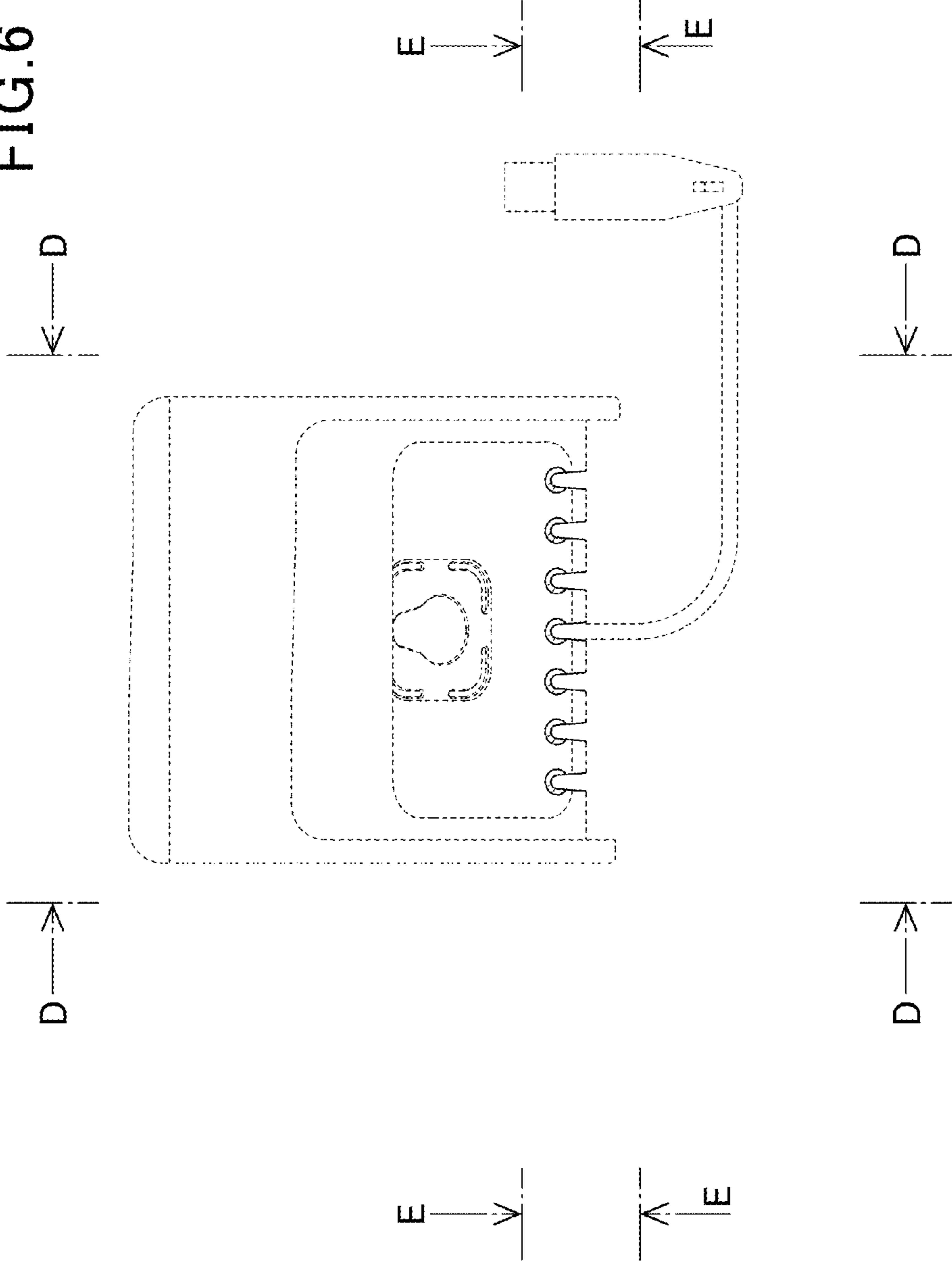




FIG. 7

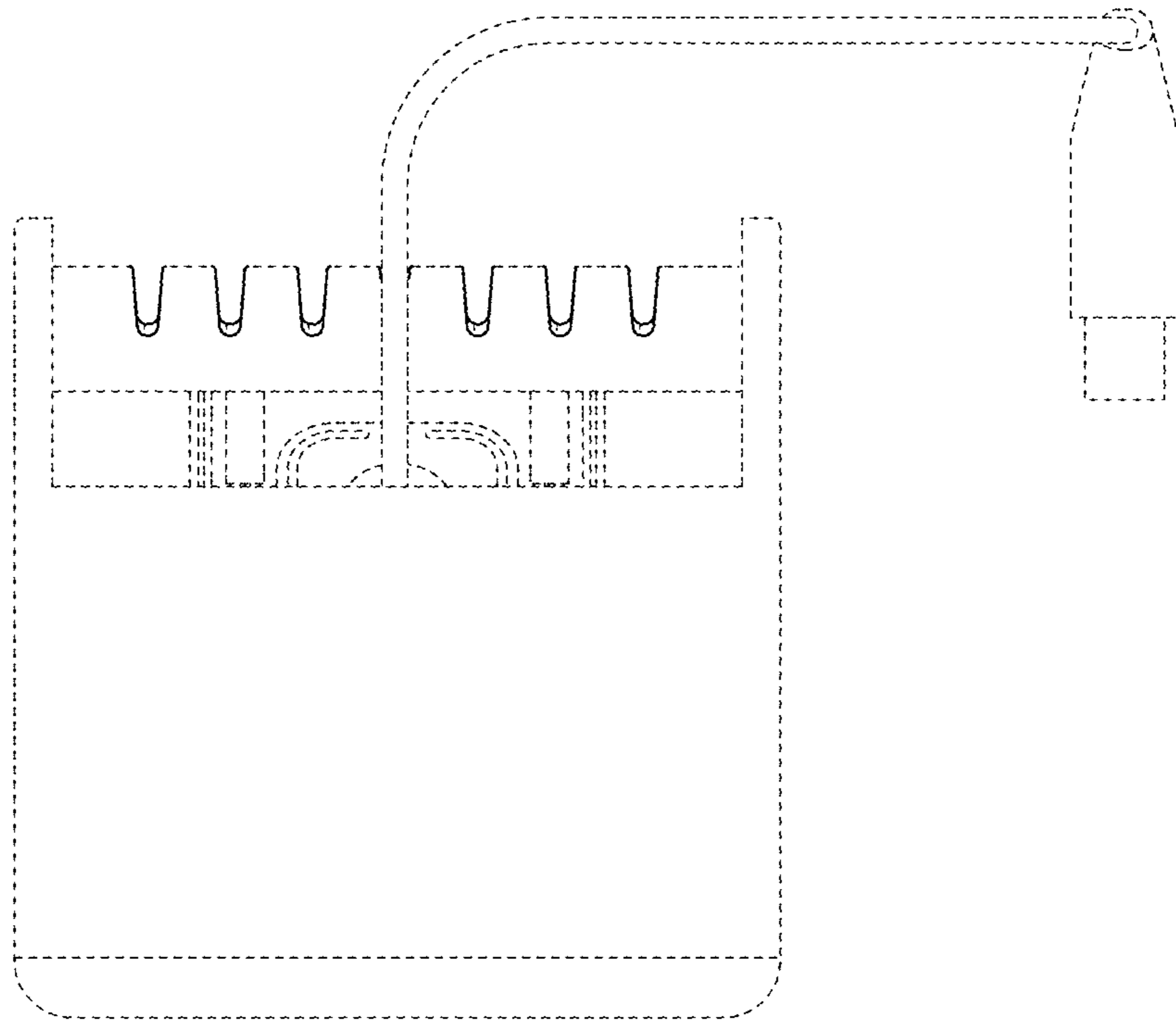


FIG. 8

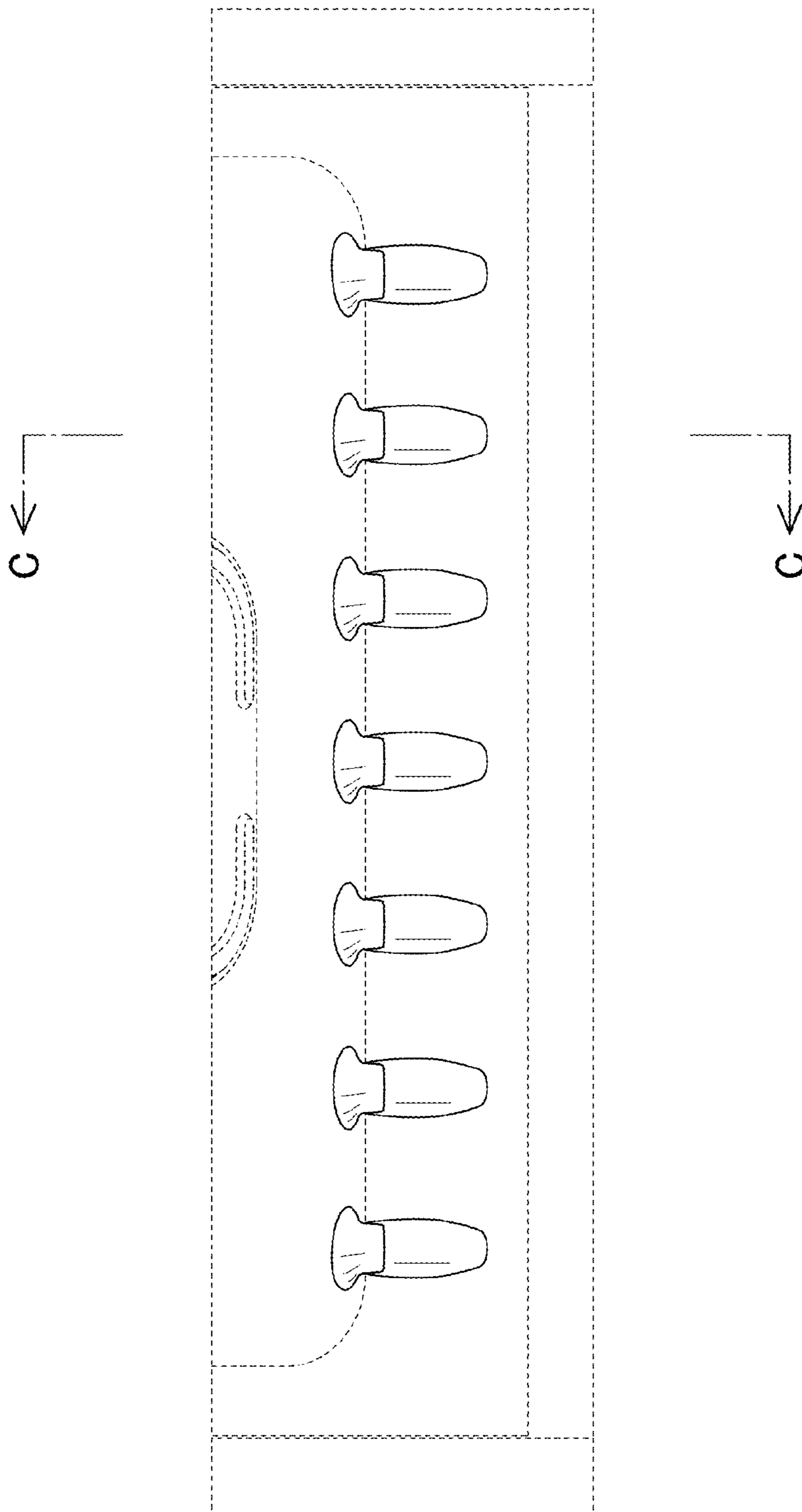


FIG. 9

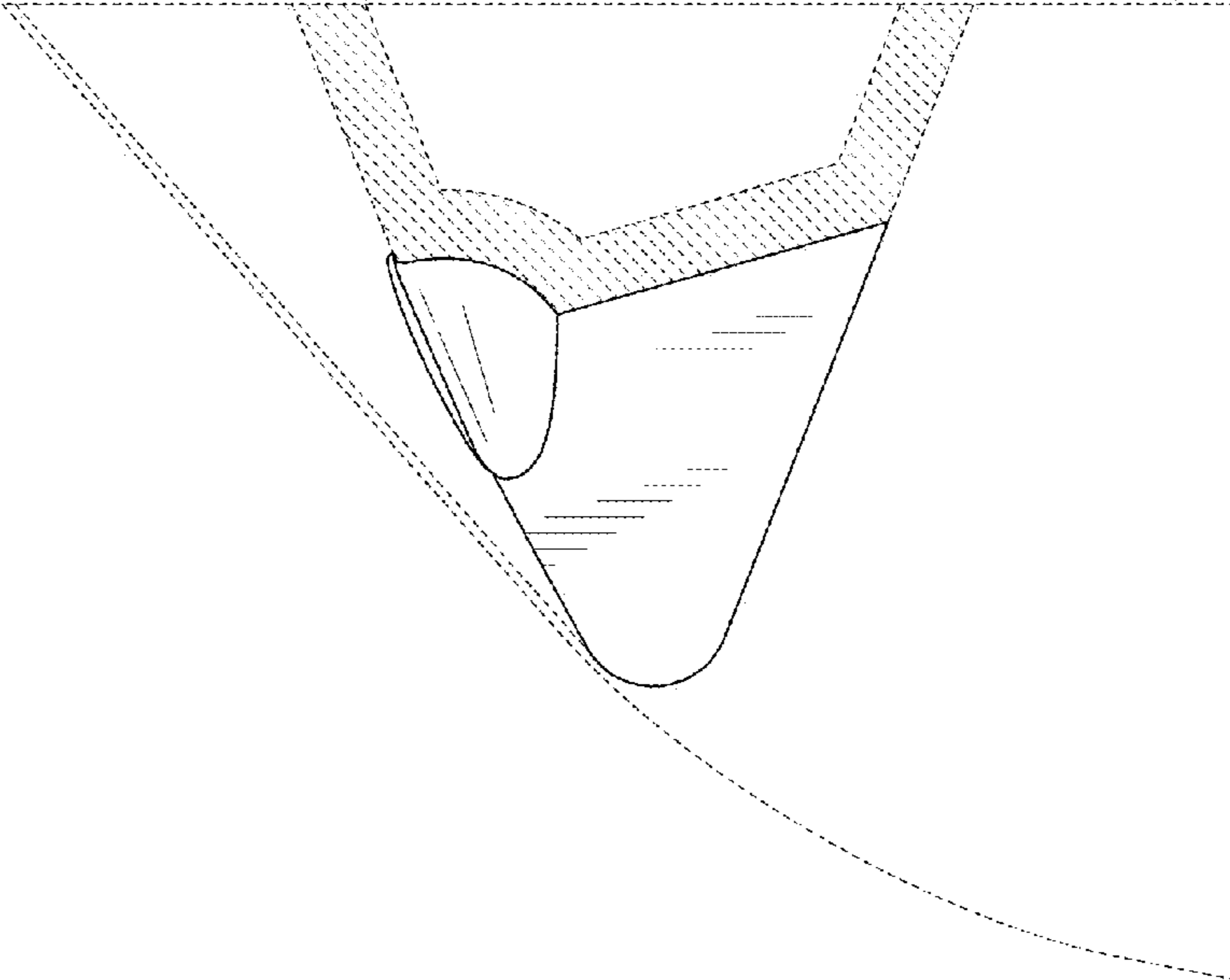


FIG. 10

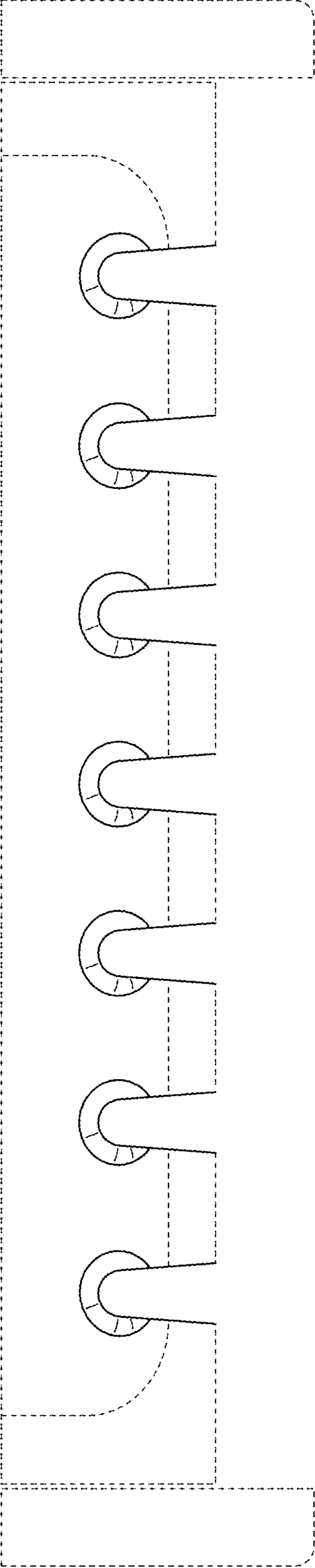
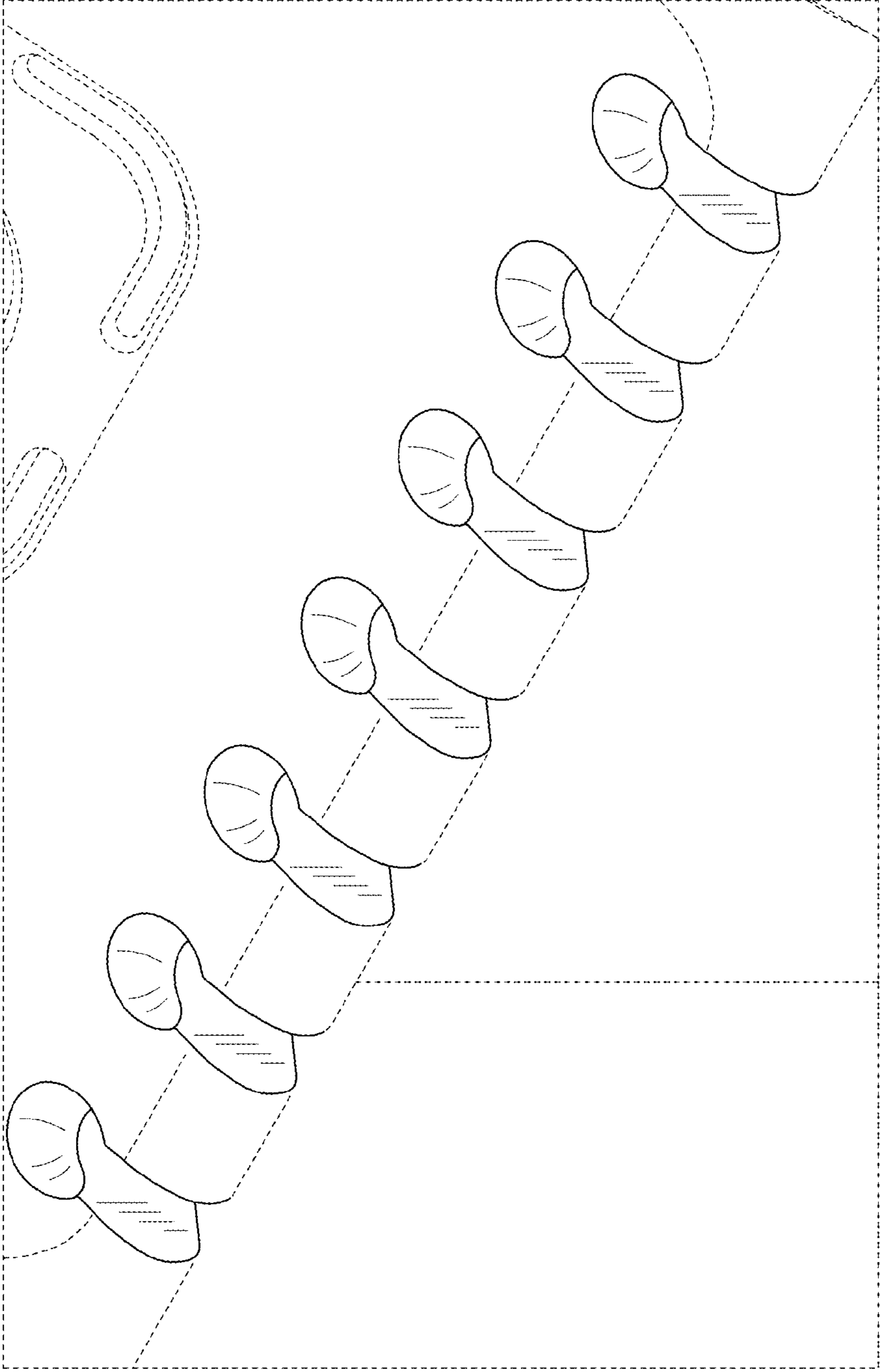


FIG. 11



UNITED STATES PATENT AND TRADEMARK OFFICE  
**CERTIFICATE OF CORRECTION**

PATENT NO. : D718,708 S  
APPLICATION NO. : 29/446666  
DATED : December 2, 2014  
INVENTOR(S) : Moribe et al.

Page 1 of 1

Title page, item 71

Applicants: should read

-- DENSO WAVE INCORPORATED, Aichi-pref., Japan and  
DENSO CORPORATION, Kariya-city, Japan --

Signed and Sealed this  
Nineteenth Day of May, 2015



Michelle K. Lee  
*Director of the United States Patent and Trademark Office*