



US00D718706S

(12) **United States Design Patent**  
**Moribe et al.**

(10) **Patent No.:** **US D718,706 S**

(45) **Date of Patent:** **\*\* Dec. 2, 2014**

(54) **ELECTRIC VEHICLE CHARGER**

(71) Applicants: **Denso Wave Incorporated**, Aichi-pref. (JP); **DENSO CORPORATION**, Aichi-pref. (JP)

(72) Inventors: **Nobuo Moribe**, Obu (JP); **Yuji Tsuchiya**, Nagoya (JP); **Hironobu Ando**, Obu (JP)

(73) Assignees: **Denso Wave Incorporated**, Toyko (JP); **DENSO CORPORATION**, Kariya (JP)

(\*\*) Term: **14 Years**

(21) Appl. No.: **29/446,649**

(22) Filed: **Feb. 26, 2013**

(30) **Foreign Application Priority Data**

Aug. 27, 2012 (JP) ..... 2012-020528

(51) **LOC (10) Cl.** ..... **13-02**

(52) **U.S. Cl.**  
USPC ..... **D13/107; D13/118**

(58) **Field of Classification Search**  
USPC ..... D13/106-110, 118-119, 155, 184, 199;  
D15/9; 320/103-115; D8/349, 354,  
D8/356, 380, 499  
See application file for complete search history.

(56) **References Cited**

**U.S. PATENT DOCUMENTS**

D207,795 S *	5/1967	Rosati .....	D8/356
D207,870 S *	6/1967	Laurini .....	D8/356
D246,148 S *	10/1977	Kusek .....	D6/301
D265,198 S *	6/1982	Matsuda .....	D14/197
D269,851 S *	7/1983	Kimura .....	D8/356

D277,063 S *	1/1985	Hauser .....	D6/303
D311,487 S *	10/1990	Platt .....	D8/396
D356,024 S *	3/1995	Whitley et al. ....	D8/356
D376,309 S *	12/1996	Takai .....	D8/380
D377,142 S *	1/1997	Yang .....	D8/356
D378,408 S *	3/1997	Pyeatt et al. ....	D24/128
D390,066 S *	2/1998	Watkins et al. ....	D7/633

(Continued)

*Primary Examiner* — Rosemary K Tarcza

(74) *Attorney, Agent, or Firm* — Posz Law Group, PLC

(57) **CLAIM**

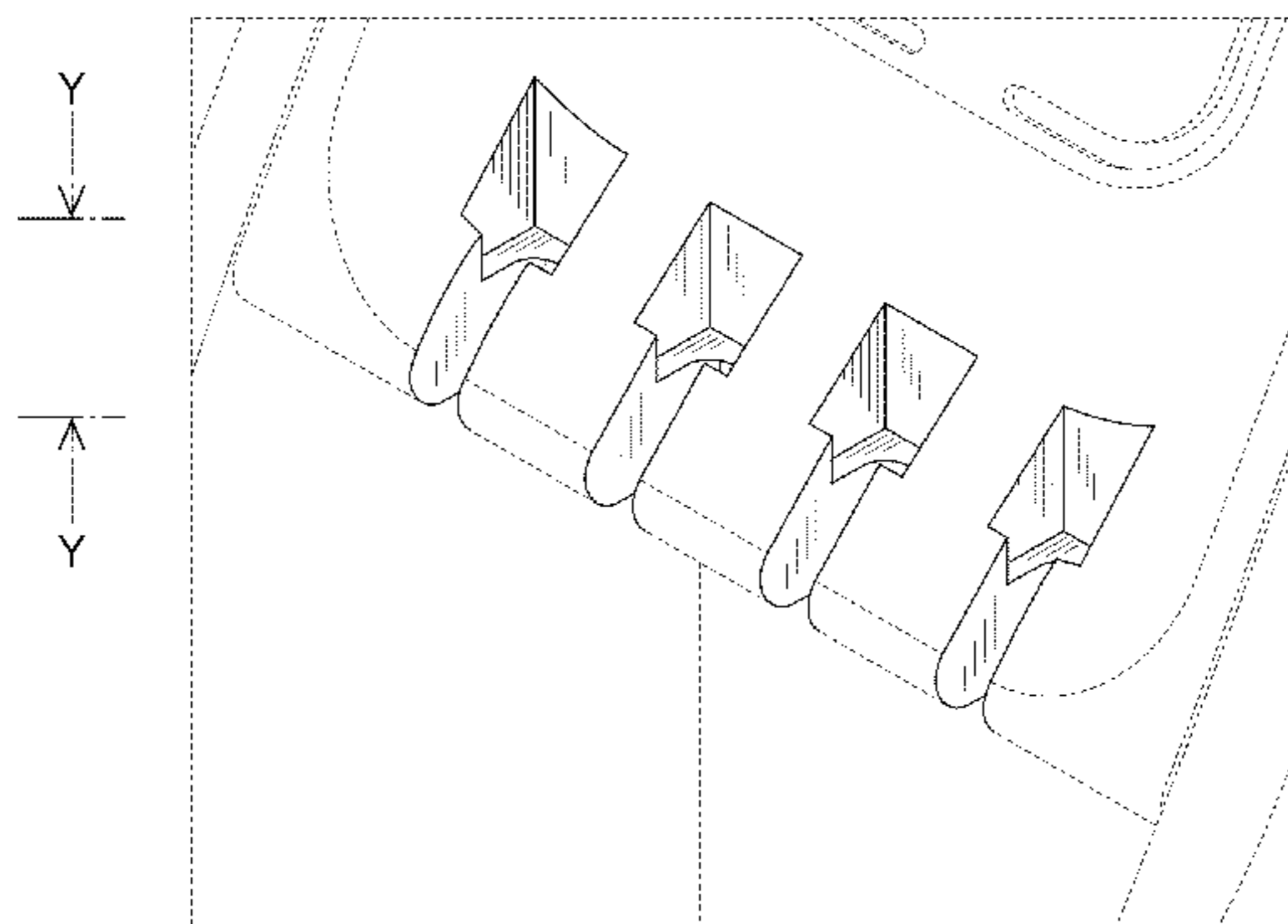
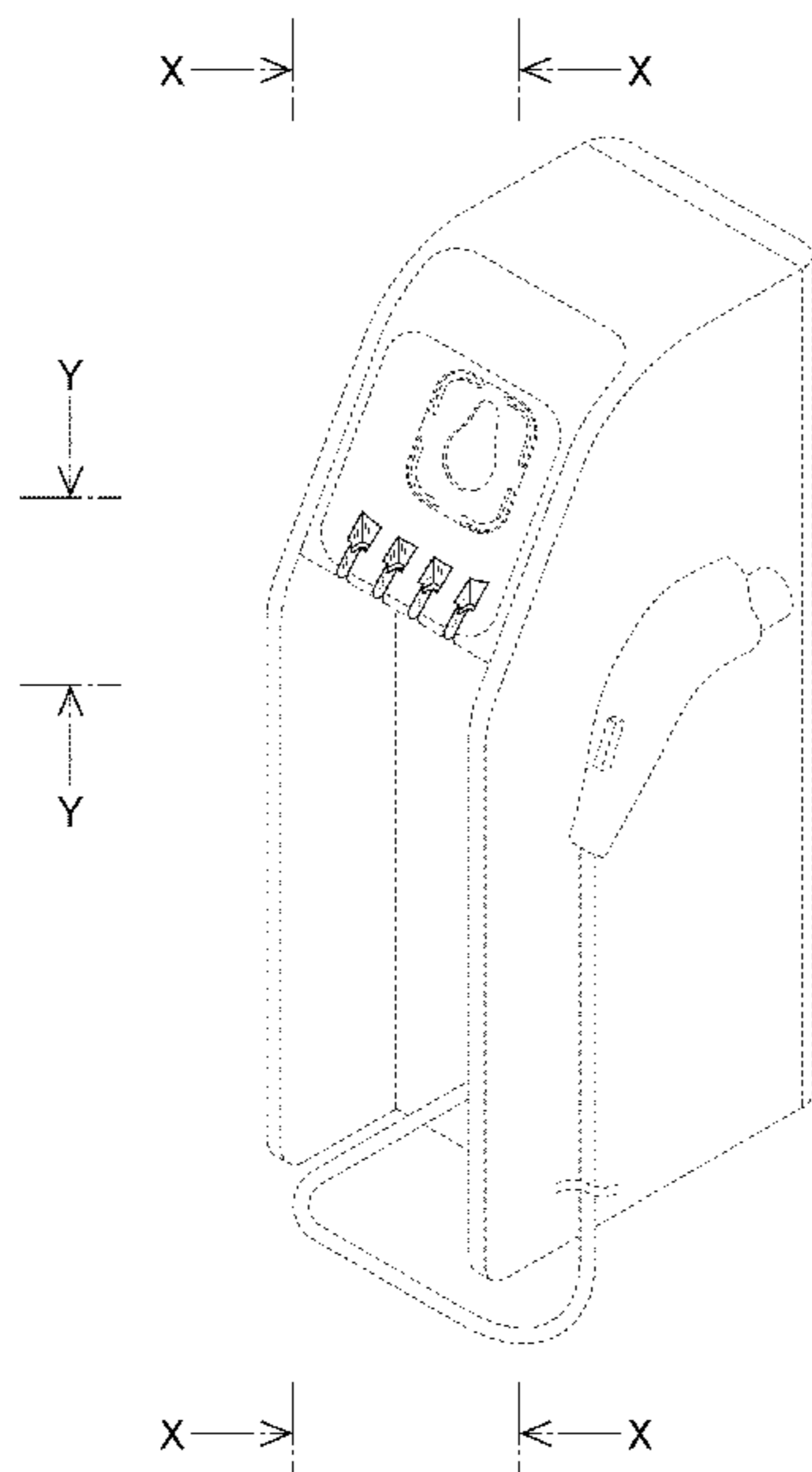
The ornamental design for an electric vehicle charger, as shown and described.

**DESCRIPTION**

FIG. 1 is a perspective view of an electric vehicle charger; FIG. 2 is a front view of the electric vehicle charger; FIG. 3 is a rear view of the electric vehicle charger; FIG. 4 is a right side view of the electric vehicle charger; FIG. 5 is a left side view of the electric vehicle charger; FIG. 6 is a top view of the electric vehicle charger; FIG. 7 is a bottom view of the electric vehicle charger; FIG. 8 is an enlarged front view defined by the ranges A-A and B-B of FIG. 2; FIG. 9 is an enlarged cross-sectional view defined by the ranges D-D and E-E of FIG. 6, and range M-M of FIG. 4, and taken along line C-C of FIG. 8; FIG. 10 is an enlarged top view defined by the ranges D-D and E-E of FIG. 6; and, FIG. 11 is an enlarged perspective view defined by the ranges X-X and Y-Y of FIG. 1.

The broken line showing of a body, a connector and an electric cable is for the purpose of illustrating unclaimed portions of the electric vehicle charger and forms no part of the claimed design.

**1 Claim, 11 Drawing Sheets**



(56)

**References Cited**

U.S. PATENT DOCUMENTS

D395,815 S *	7/1998	Walters et al. ....	D8/354	D587,102 S *	2/2009	Morgan .....	D8/356
D398,313 S *	9/1998	Allen .....	D15/143	D589,782 S *	4/2009	Rowell et al. ....	D8/356
D427,048 S *	6/2000	Potter et al. ....	D8/356	D597,403 S *	8/2009	Ho et al. ....	D8/396
D448,650 S *	10/2001	Vrame .....	D8/356	D598,275 S *	8/2009	Rowell et al. ....	D8/356
D453,103 S *	1/2002	Tell .....	D8/356	D601,498 S *	10/2009	Aglassinger .....	D13/107
D468,996 S *	1/2003	Sarkinen et al. ....	D8/356	D608,621 S *	1/2010	Yu Chen .....	D8/356
D488,054 S *	4/2004	Myers .....	D8/356	D635,447 S *	4/2011	Henry .....	D8/356
D532,744 S *	11/2006	Aglassinger .....	D13/108	D638,690 S *	5/2011	Hoek .....	D8/356
D547,265 S *	7/2007	Aglassinger .....	D13/108	D638,691 S *	5/2011	Hoek .....	D8/356
D552,543 S *	10/2007	Su .....	D13/122	D639,145 S *	6/2011	Hoek .....	D8/356
D568,723 S *	5/2008	Morgan .....	D8/356	D639,146 S *	6/2011	Hoek .....	D8/356
D571,190 S *	6/2008	Spadotto .....	D8/356	D640,527 S *	6/2011	Hoek .....	D8/356
D572,660 S *	7/2008	Enomoto et al. ....	D13/122	D644,501 S *	9/2011	Chen .....	D8/356
D576,867 S *	9/2008	Kretz .....	D8/356	D663,274 S *	7/2012	Gretz .....	D13/155
D582,342 S *	12/2008	Chen et al. ....	D13/118	D691,873 S *	10/2013	Ganski .....	D8/356
D586,747 S *	2/2009	Yoshikawa et al. ....	D13/122	D691,874 S *	10/2013	Ganski .....	D8/356
D587,101 S *	2/2009	Morgan .....	D8/356	D691,875 S *	10/2013	Ganski .....	D8/356
				D691,876 S *	10/2013	Ganski .....	D8/356
				D691,878 S *	10/2013	Ganski .....	D8/356
				D698,309 S *	1/2014	Moribe et al. ....	D13/107

\* cited by examiner

FIG. 1

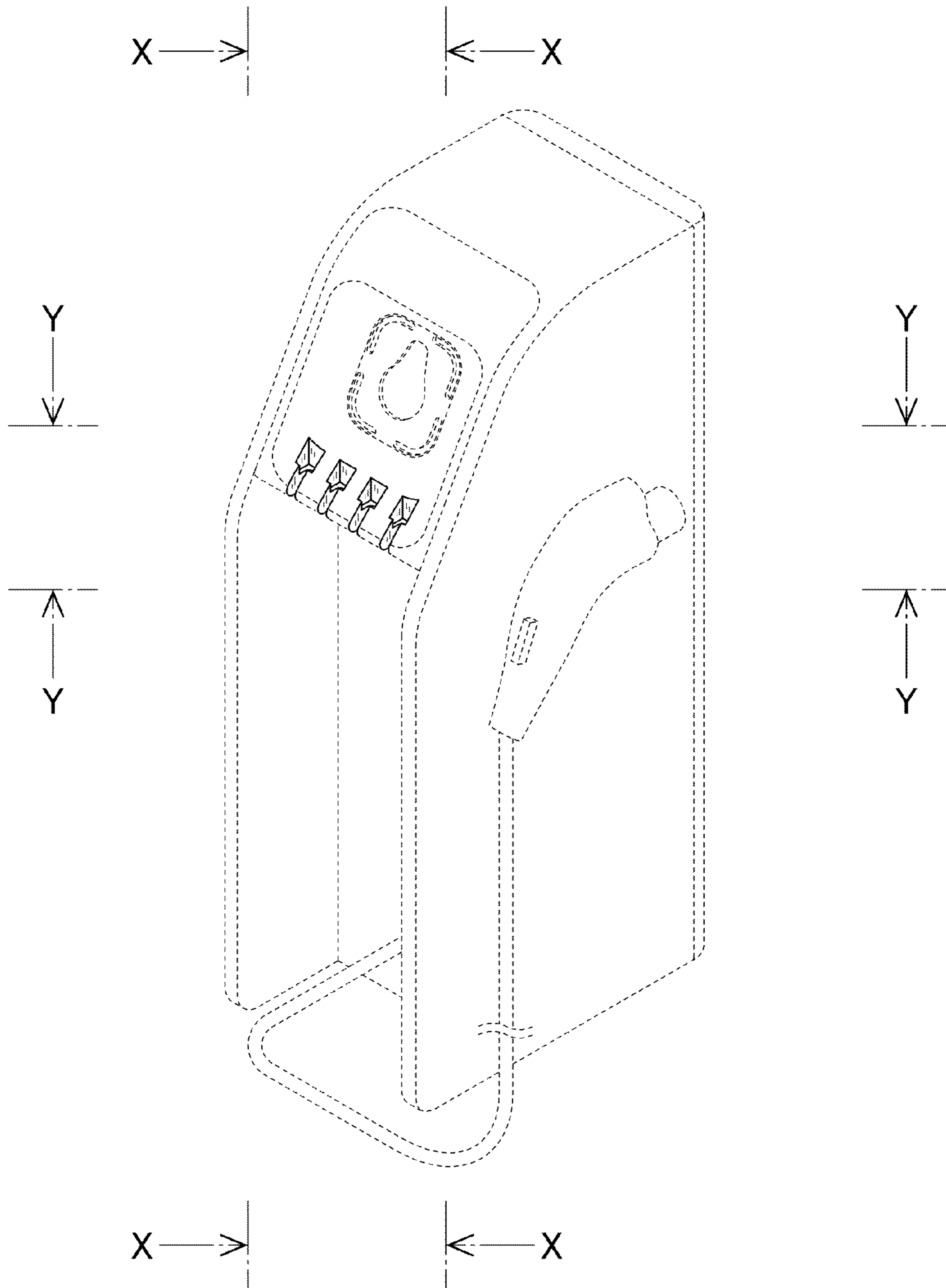


FIG. 2

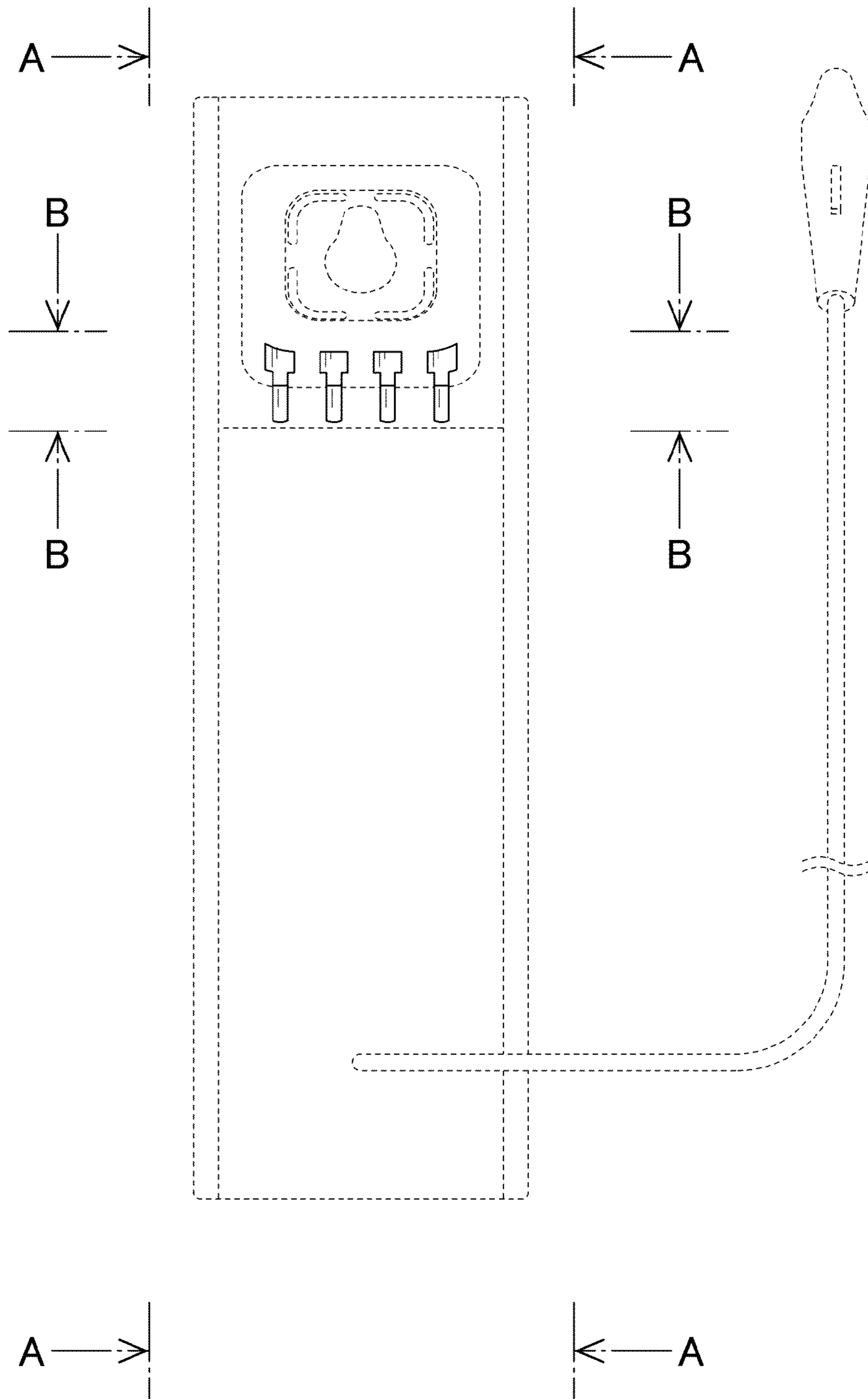


FIG.3

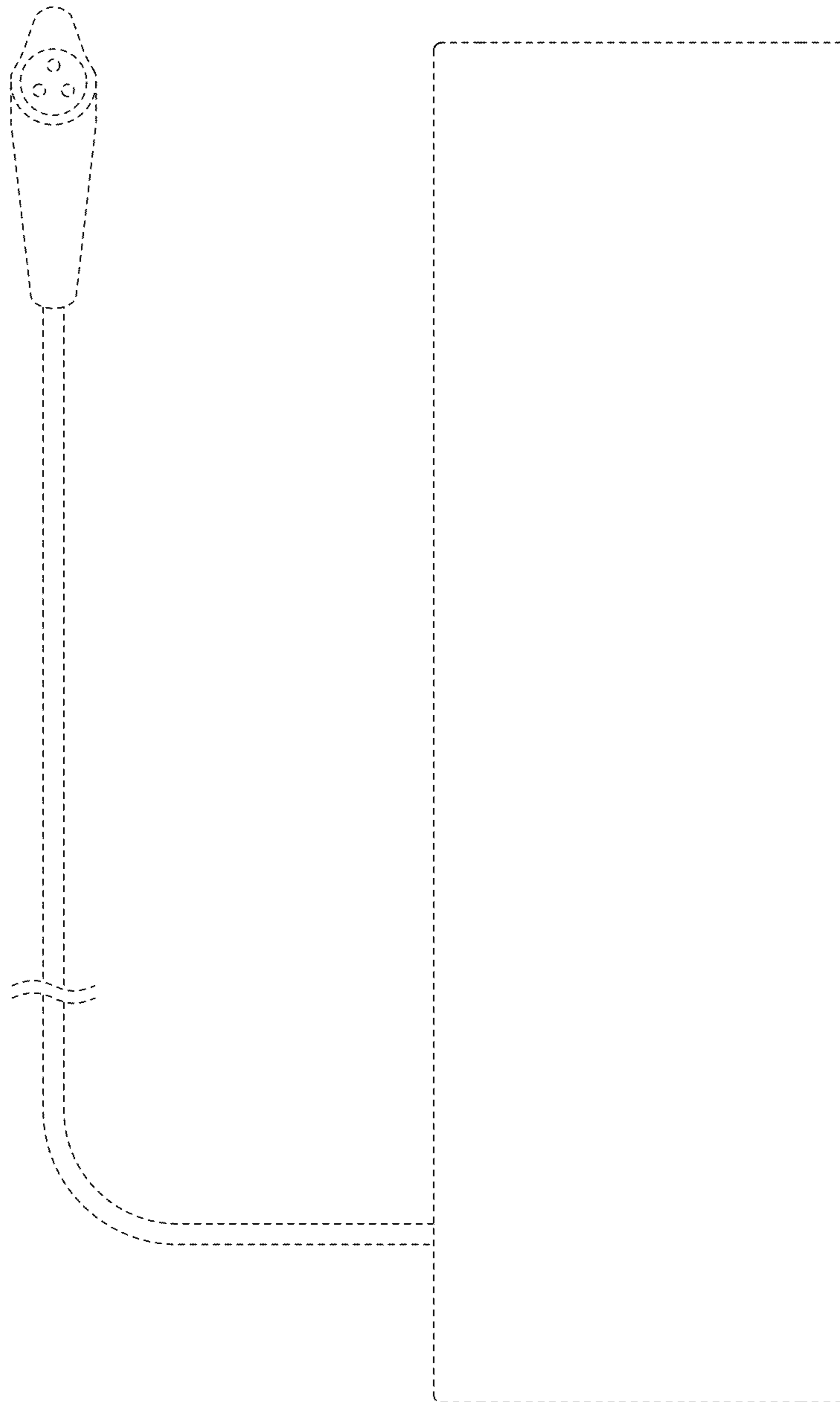


FIG. 4

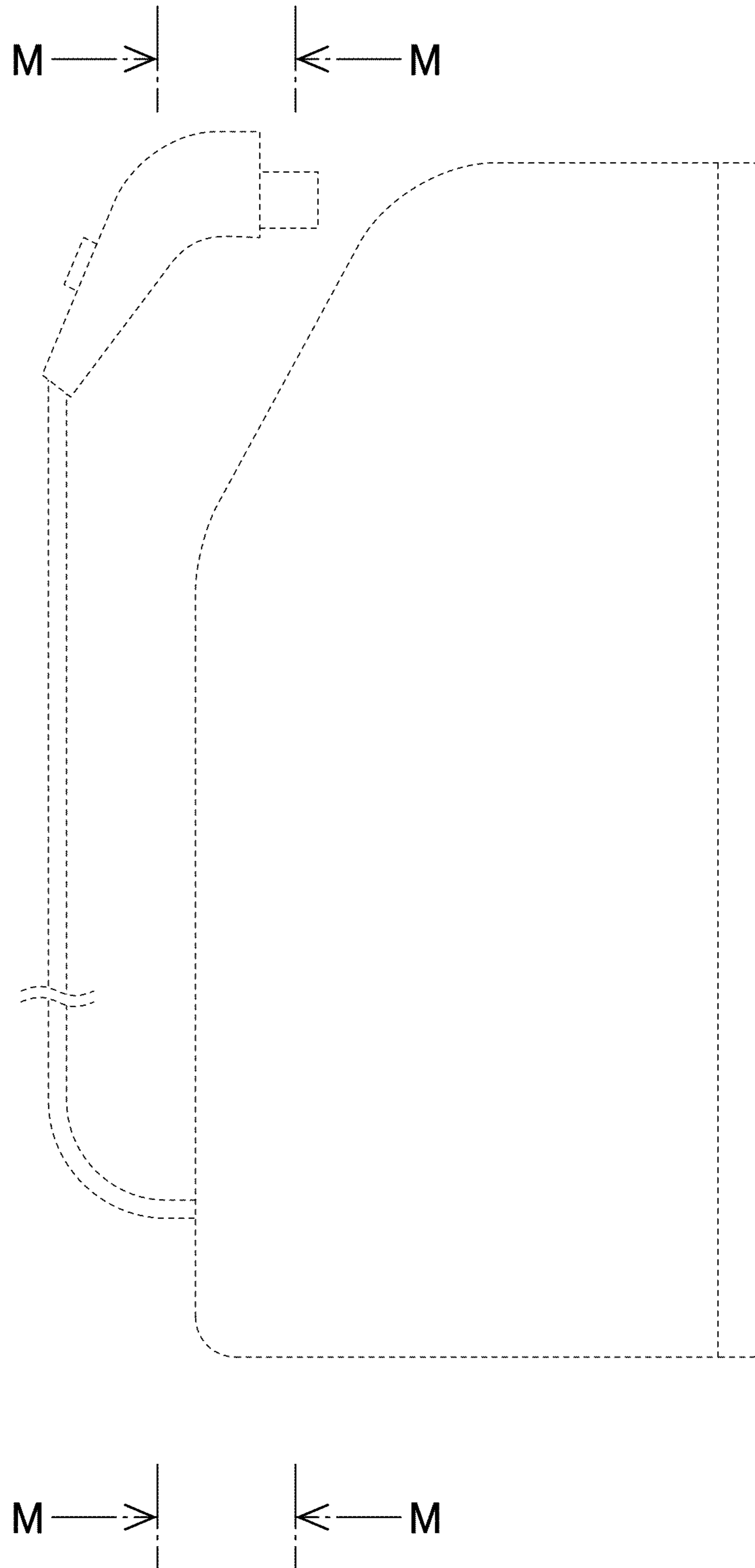


FIG. 5

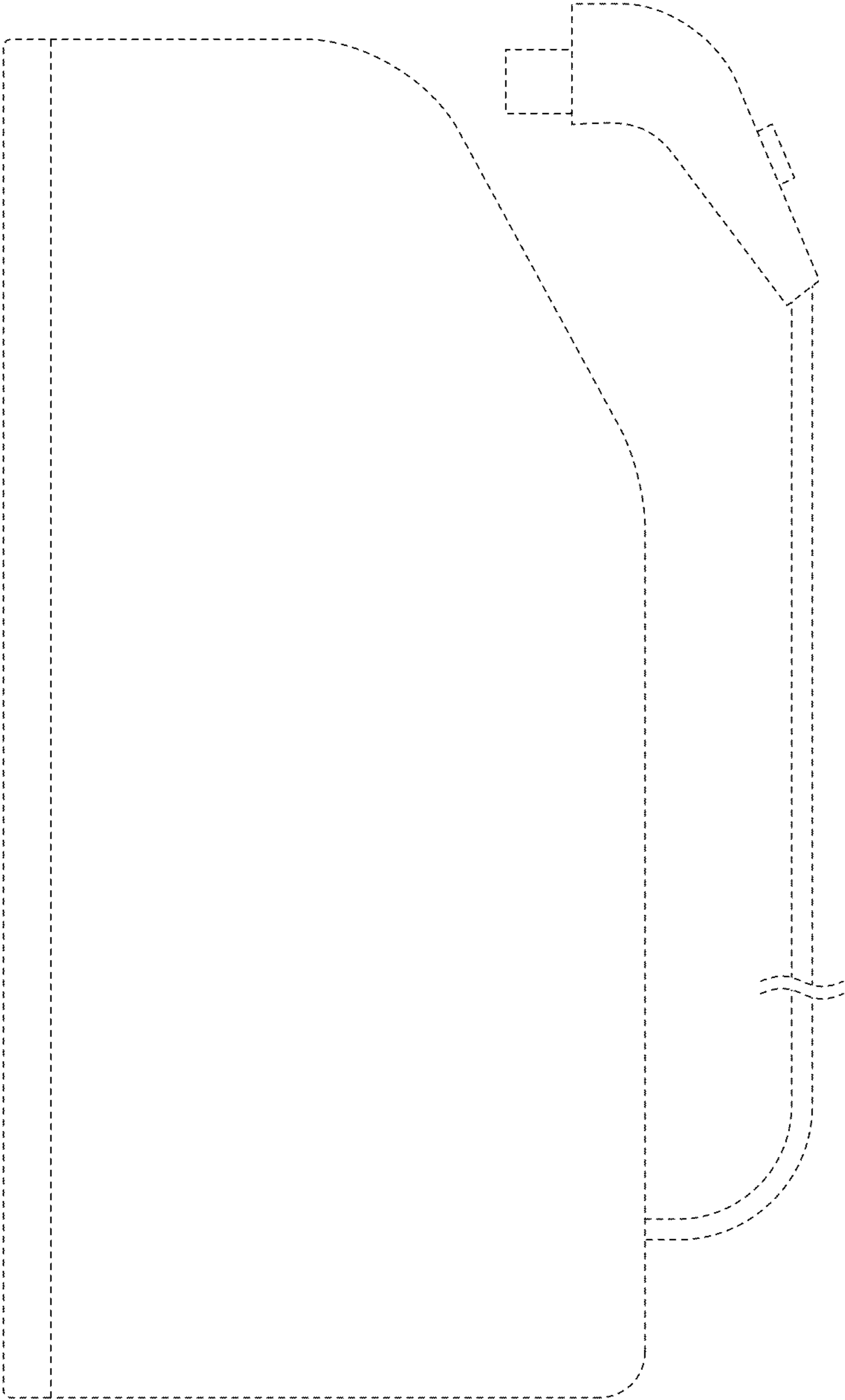


FIG. 6

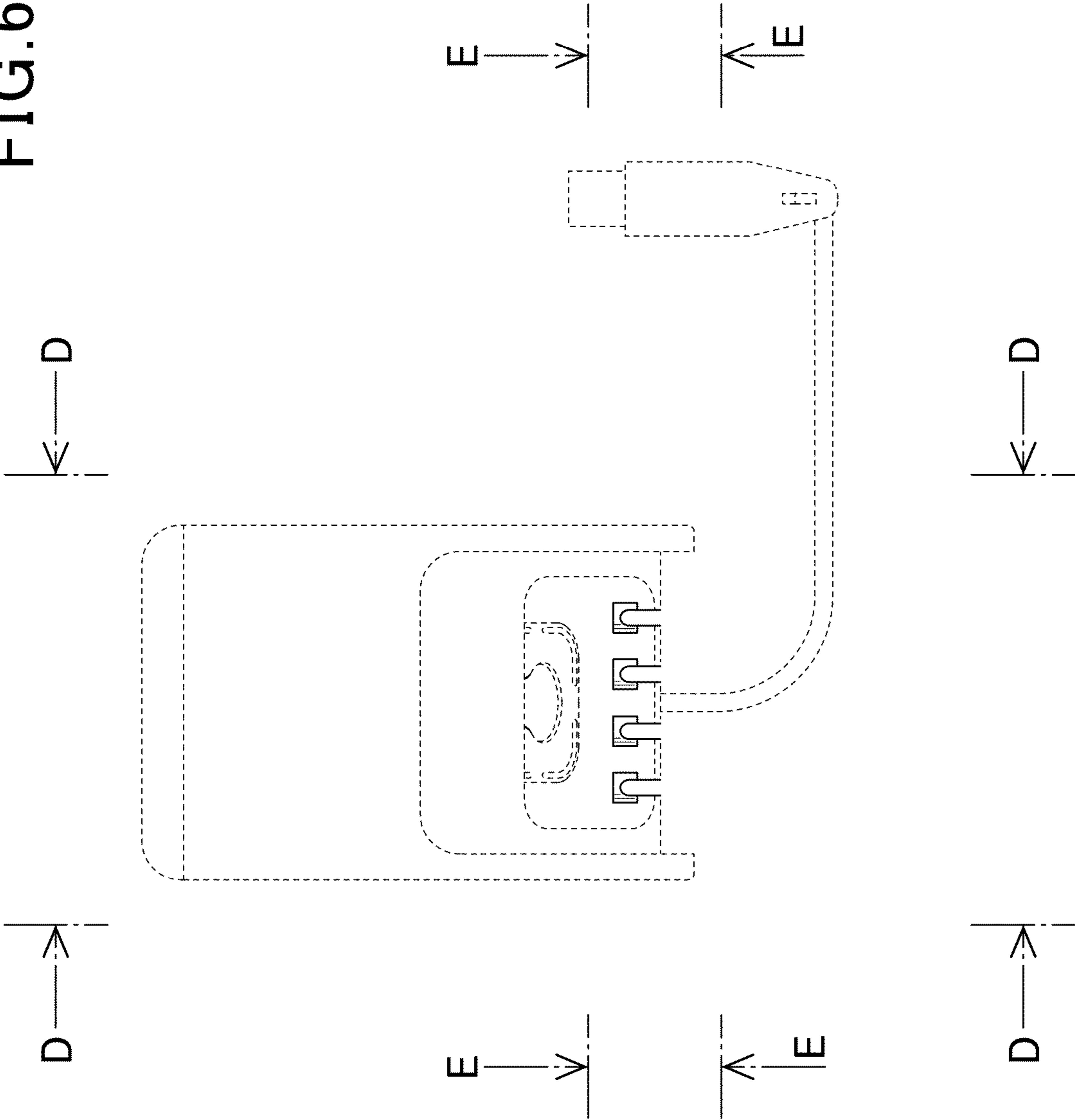




FIG. 7

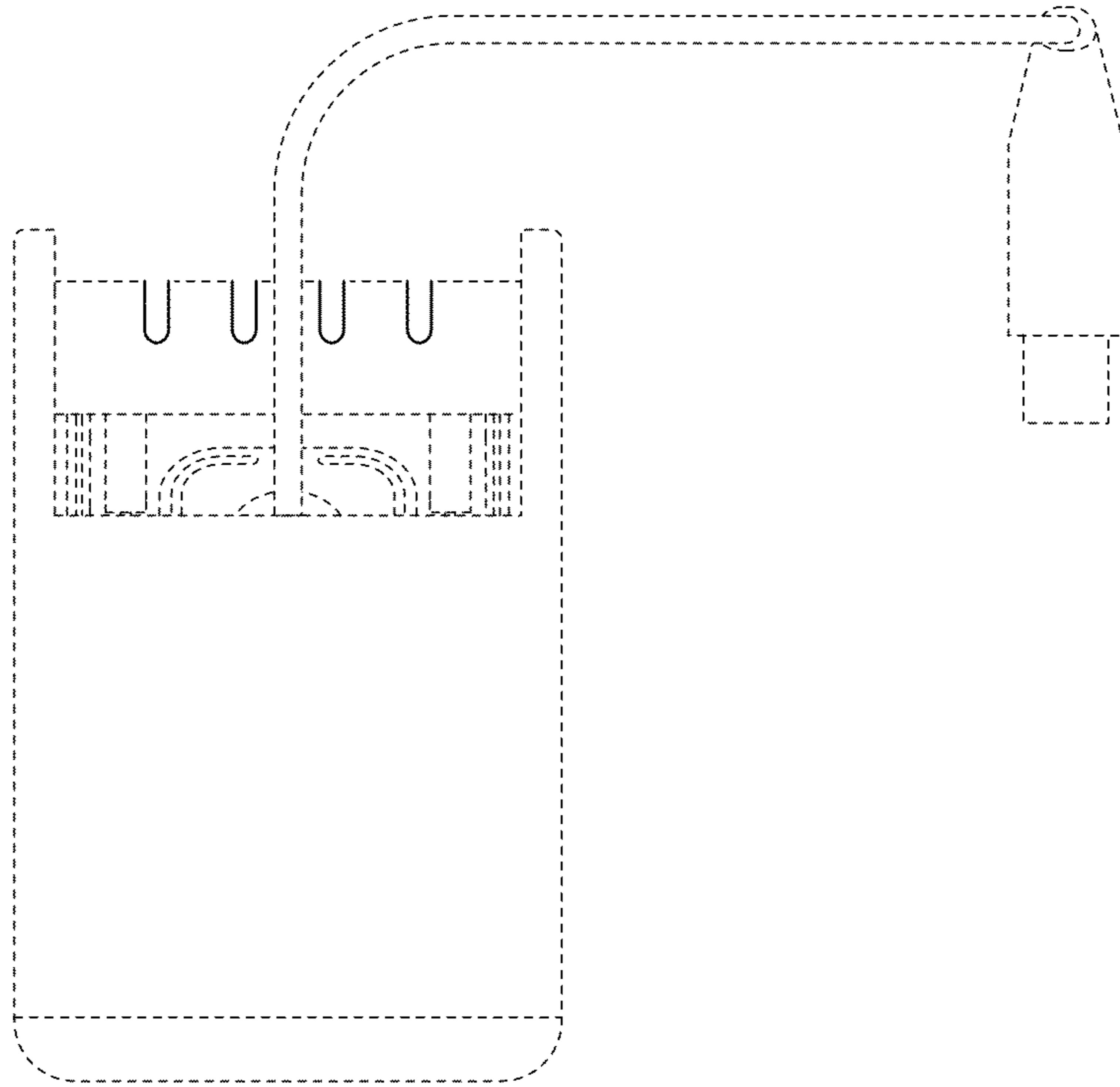


FIG. 8

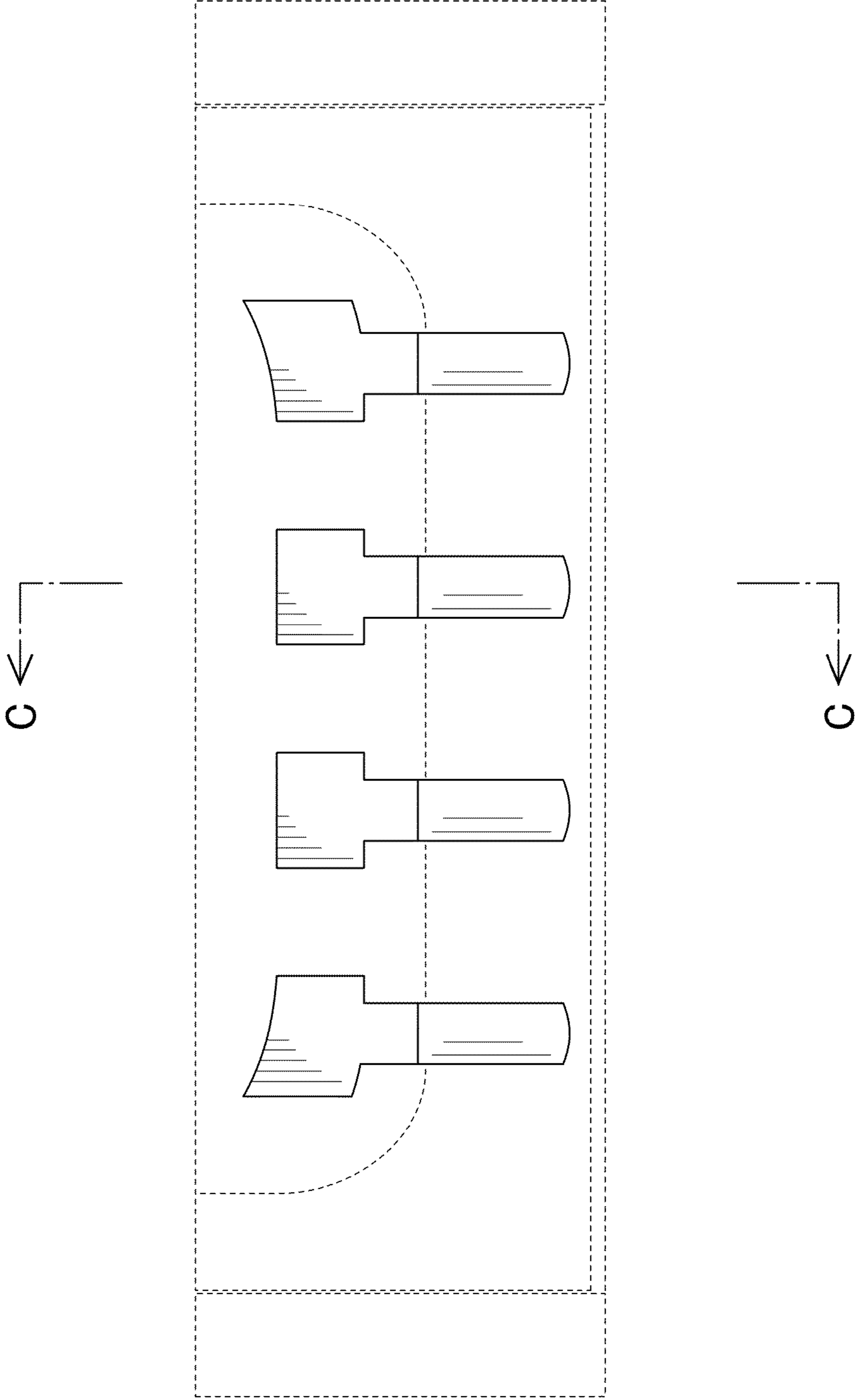


FIG. 9

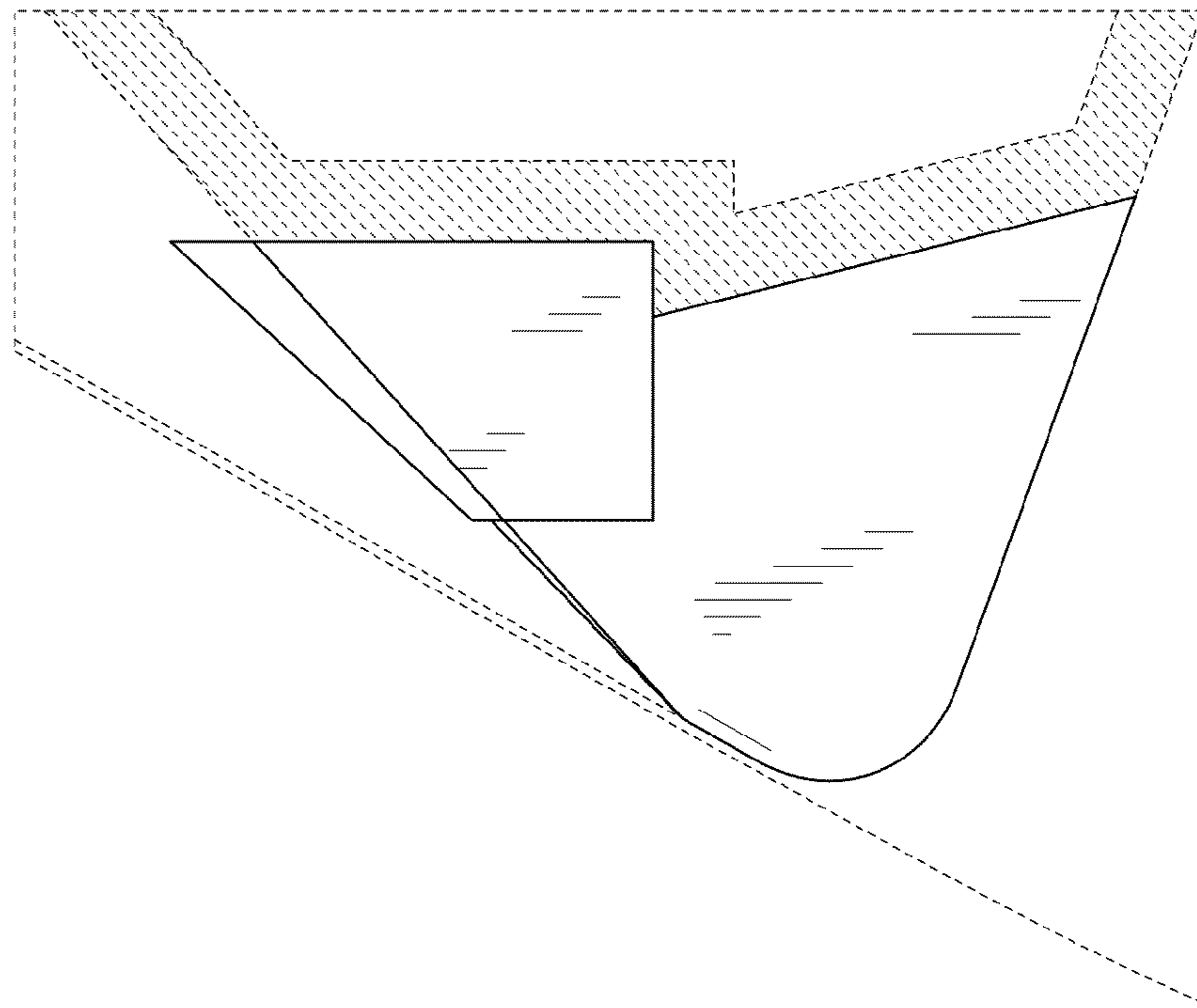


FIG. 10

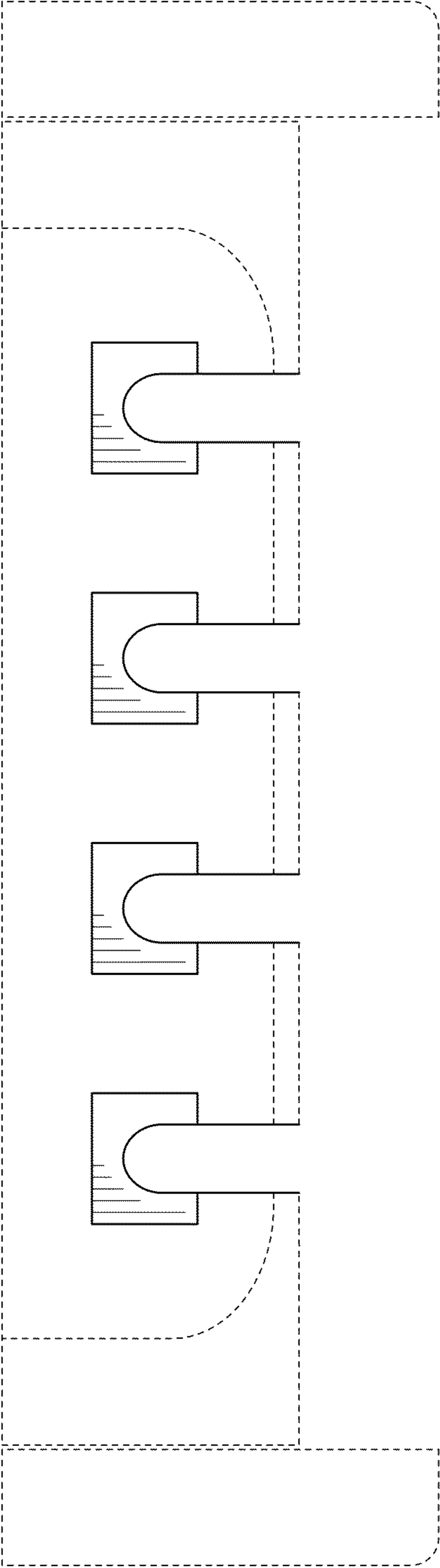
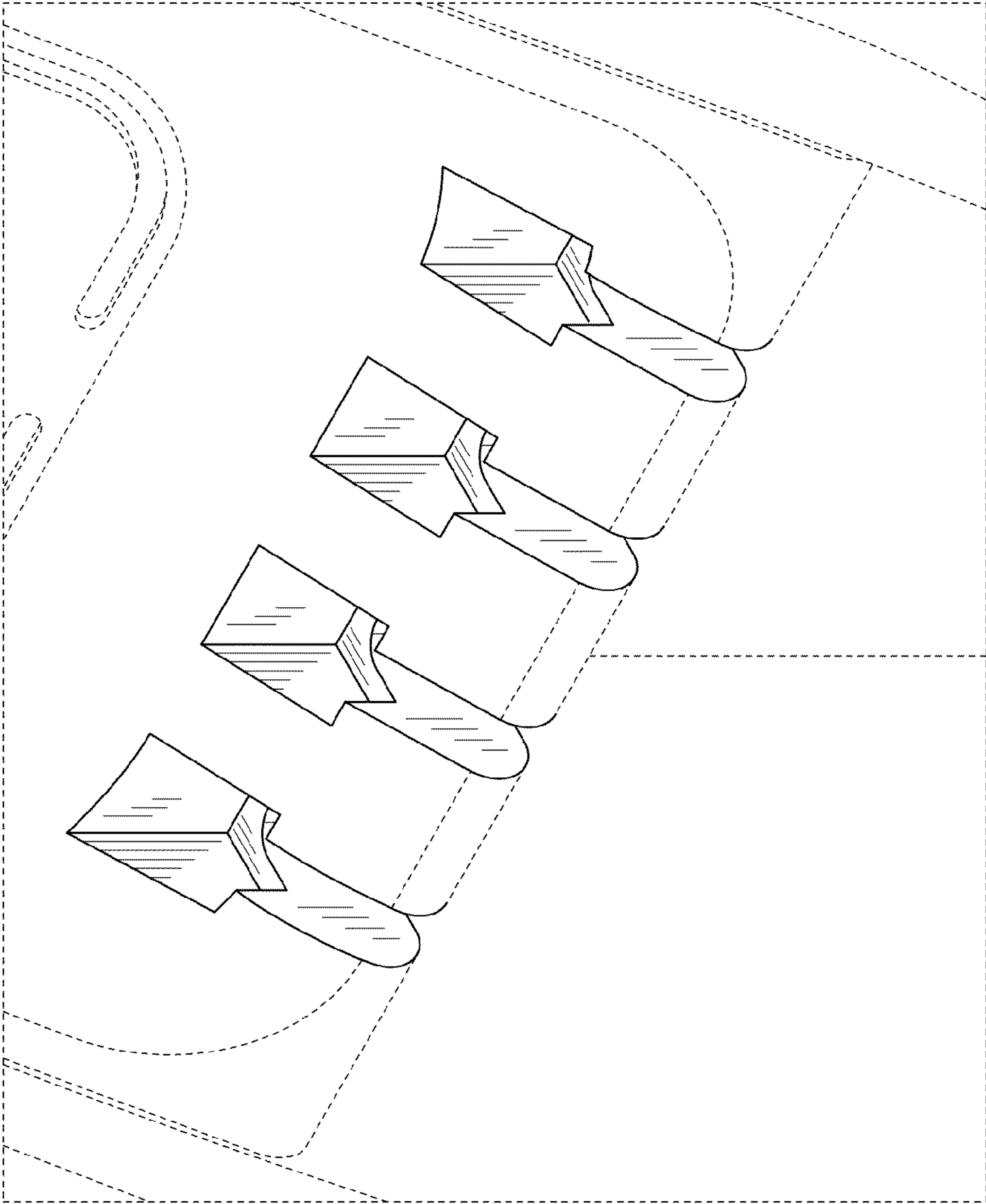


FIG.11



UNITED STATES PATENT AND TRADEMARK OFFICE  
**CERTIFICATE OF CORRECTION**

PATENT NO. : D718,706 S  
APPLICATION NO. : 29/446649  
DATED : December 2, 2014  
INVENTOR(S) : Moribe et al.

Page 1 of 1

It is certified that error appears in the above-identified patent and that said Letters Patent is hereby corrected as shown below:

On the Title Page

Item (73) Assignees: should read  
-- DENSO WAVE INCORPORATED, Aichi-pref., Japan and  
DENSO CORPORATION, Kariya-city, Japan --

Signed and Sealed this  
Seventeenth Day of January, 2017



Michelle K. Lee  
*Director of the United States Patent and Trademark Office*