



US00D718703S

(12) **United States Design Patent**
Rizzo

(10) **Patent No.:** **US D718,703 S**

(45) **Date of Patent:** **** *Dec. 2, 2014**

(54) **SOLAR PANEL MOUNTING STAND**

(71) Applicant: **Nathan T Rizzo**, Williamsville, NY
(US)

(72) Inventor: **Nathan T Rizzo**, Williamsville, NY
(US)

(73) Assignee: **DynoRaxx, Inc.**

(*) Notice: This patent is subject to a terminal disclaimer.

(**) Term: **14 Years**

(21) Appl. No.: **29/434,531**

(22) Filed: **Oct. 13, 2012**

(51) **LOC (10) Cl.** **13-02**

(52) **U.S. Cl.**
USPC **D13/102**

(58) **Field of Classification Search**
USPC D13/102, 101, 184, 199; D6/512, 519;
D8/349, 354; 126/621, 622, 623, 704,
126/904; 136/243, 251; 211/13.1, 41.1

See application file for complete search history.

(56) **References Cited**

U.S. PATENT DOCUMENTS

D258,530	S	*	3/1981	Atkinson	D13/102
4,421,943	A	*	12/1983	Withjack	136/246
5,768,831	A	*	6/1998	Melchior	52/173.3
D510,315	S	*	10/2005	Shugar et al.	D13/102
D547,262	S	*	7/2007	Ullman	D13/102
D564,958	S	*	3/2008	Almy et al.	D13/102
D647,049	S	*	10/2011	Vaid et al.	D13/102
2012/0125408	A1	*	5/2012	Reyes et al.	136/251

* cited by examiner

Primary Examiner — Derrick Holland

(74) *Attorney, Agent, or Firm* — Paul T. Lavoie, Esq.

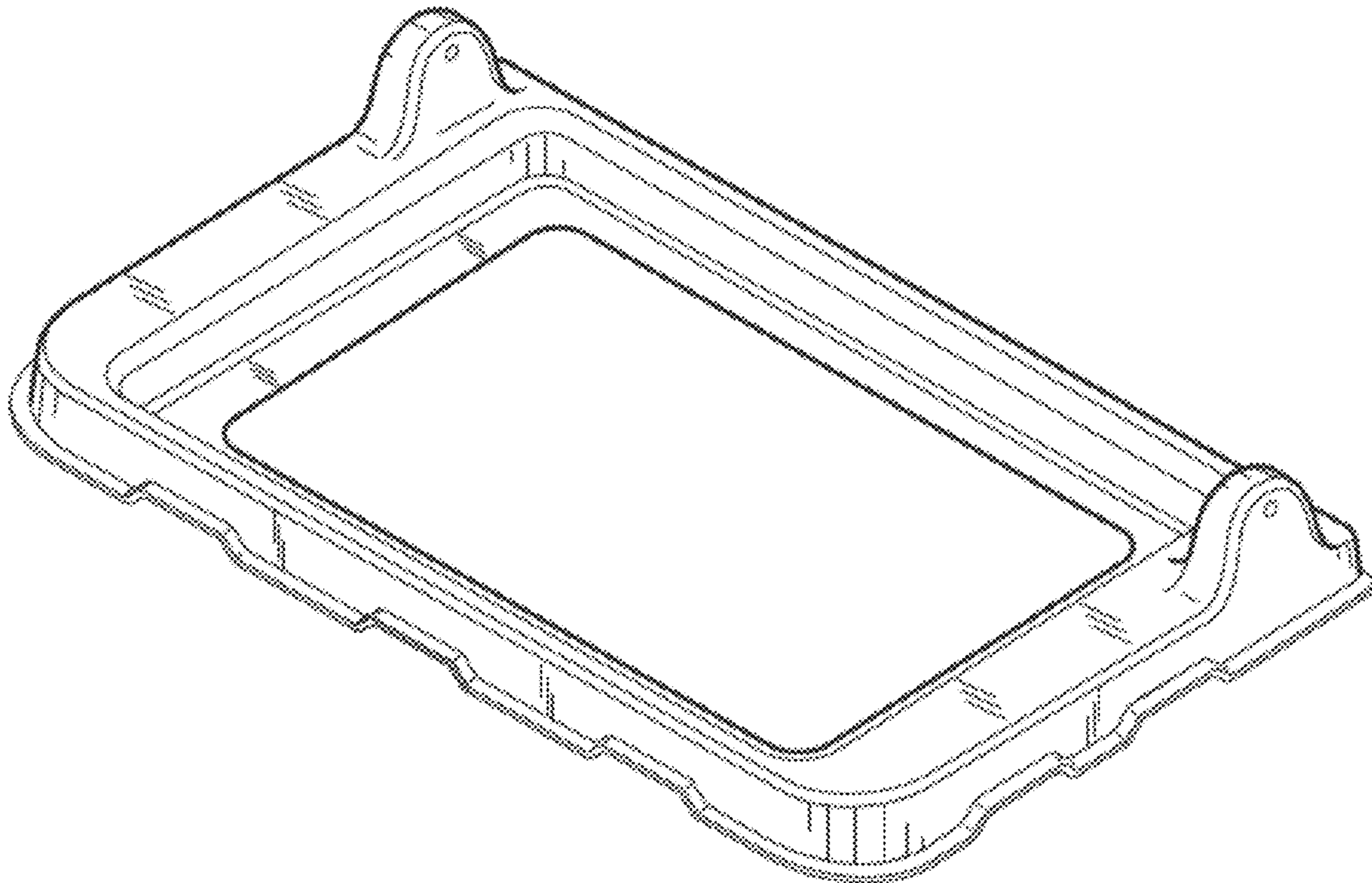
(57) **CLAIM**

The ornamental design for a solar panel mounting stand, as shown and described.

DESCRIPTION

FIG. 1 is a perspective view of a solar panel mounting stand showing the novel design;
FIG. 2 is a front elevational view thereof;
FIG. 3 is a rear elevational view thereof;
FIG. 4 is a left side elevational view thereof;
FIG. 5 is a right side elevational view thereof; and,
FIG. 6 is a top plan view thereof.

1 Claim, 5 Drawing Sheets



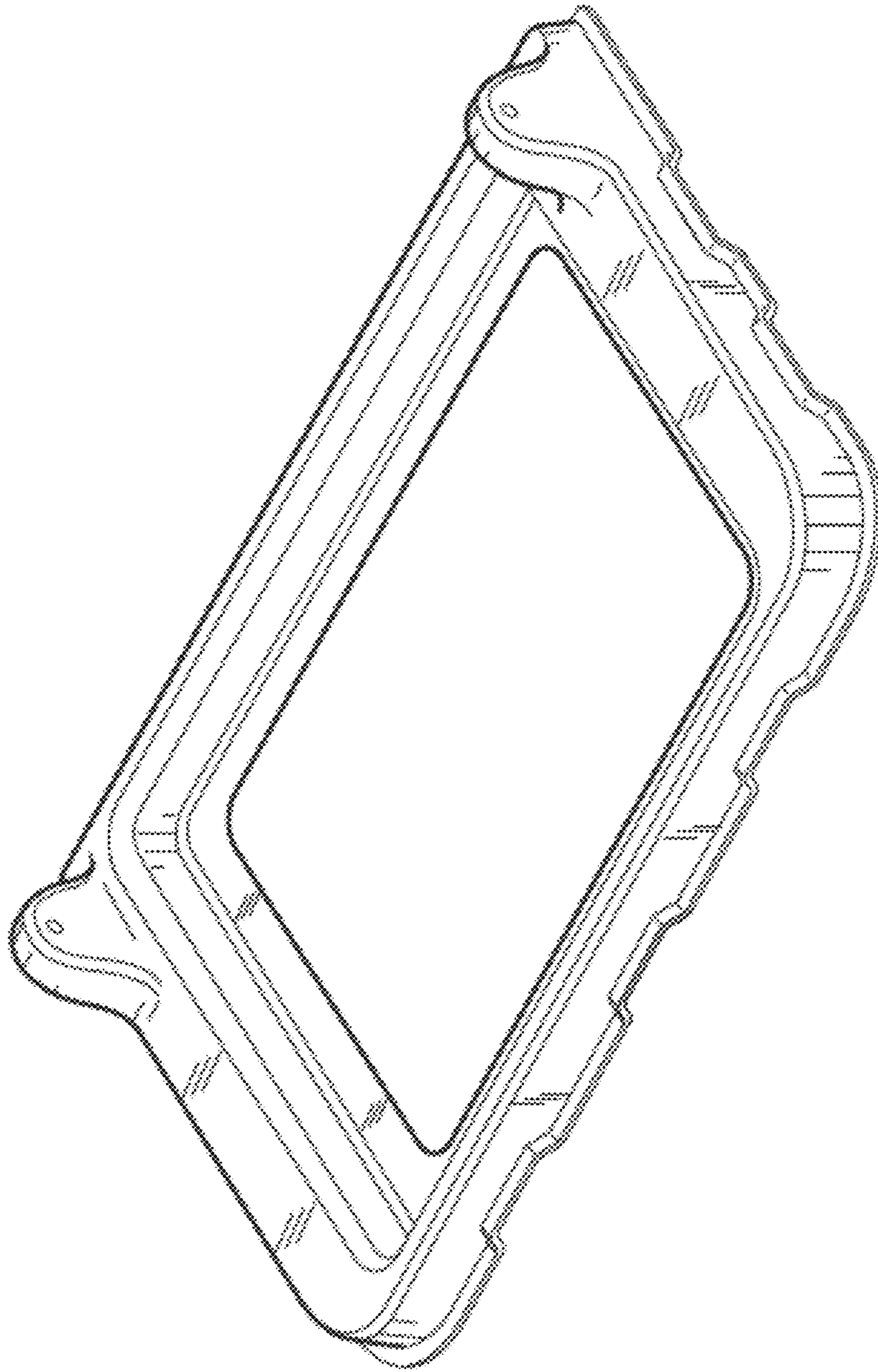


Fig. 1

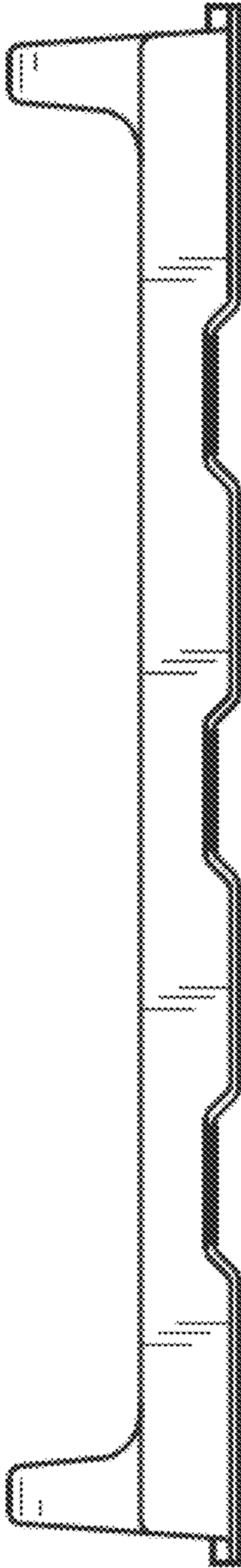


Fig. 2

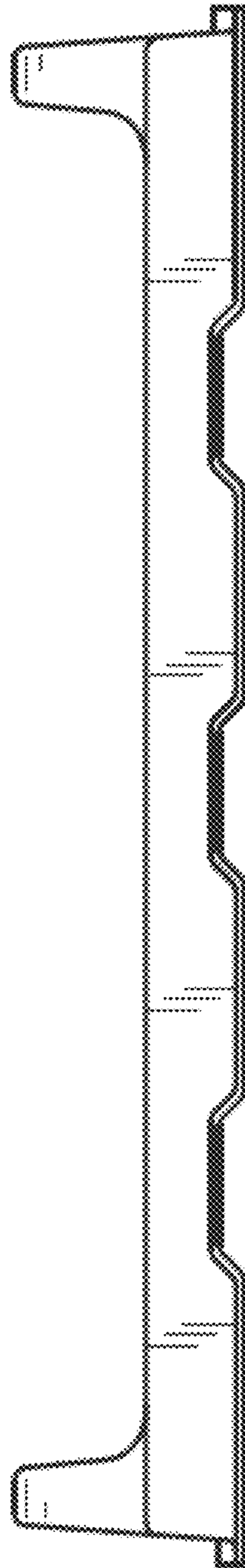


Fig. 3

Fig. 4

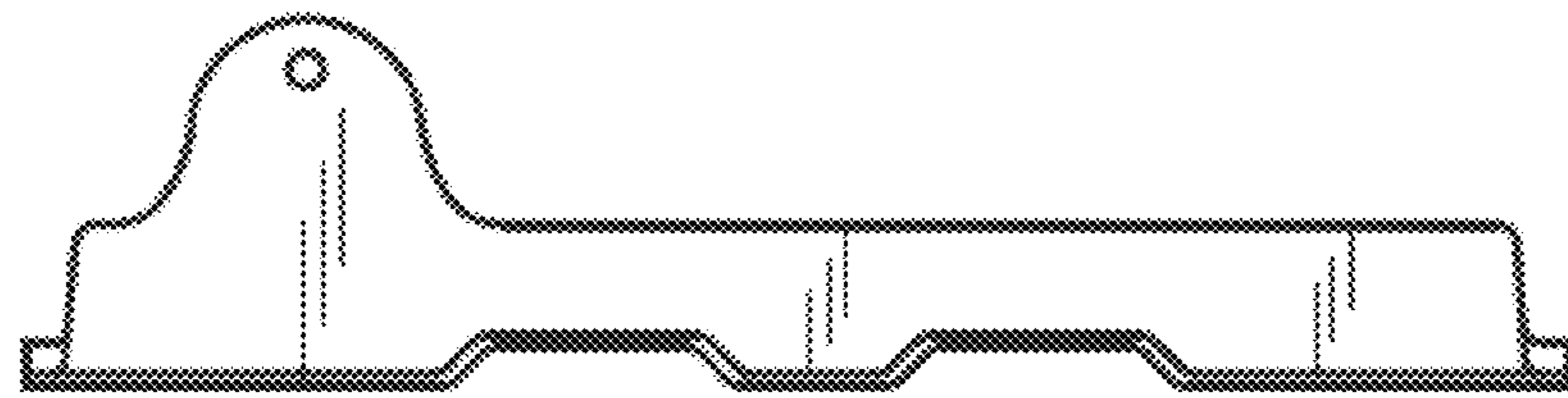
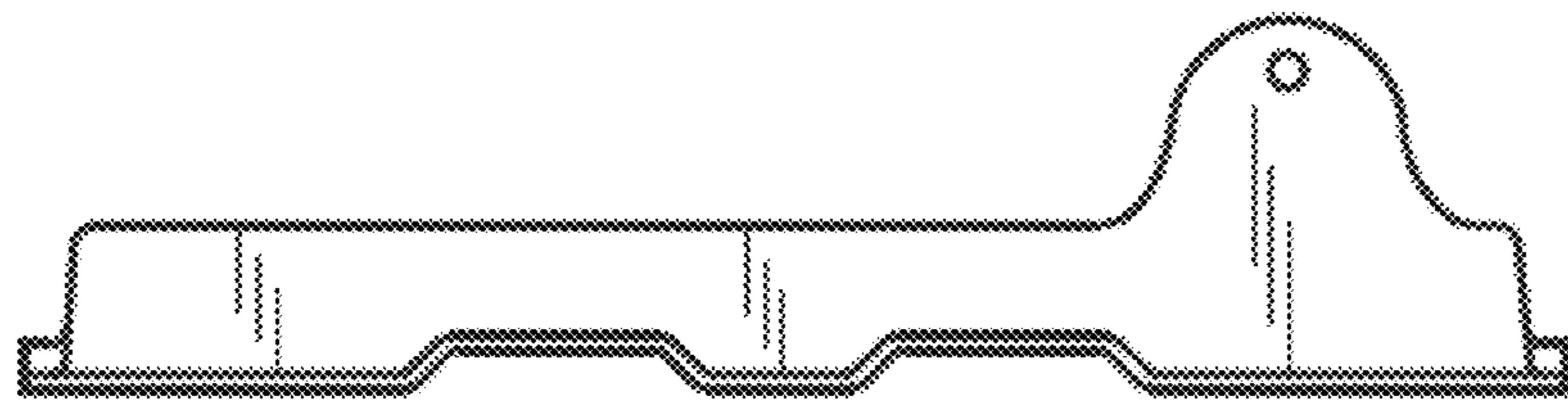


Fig. 5



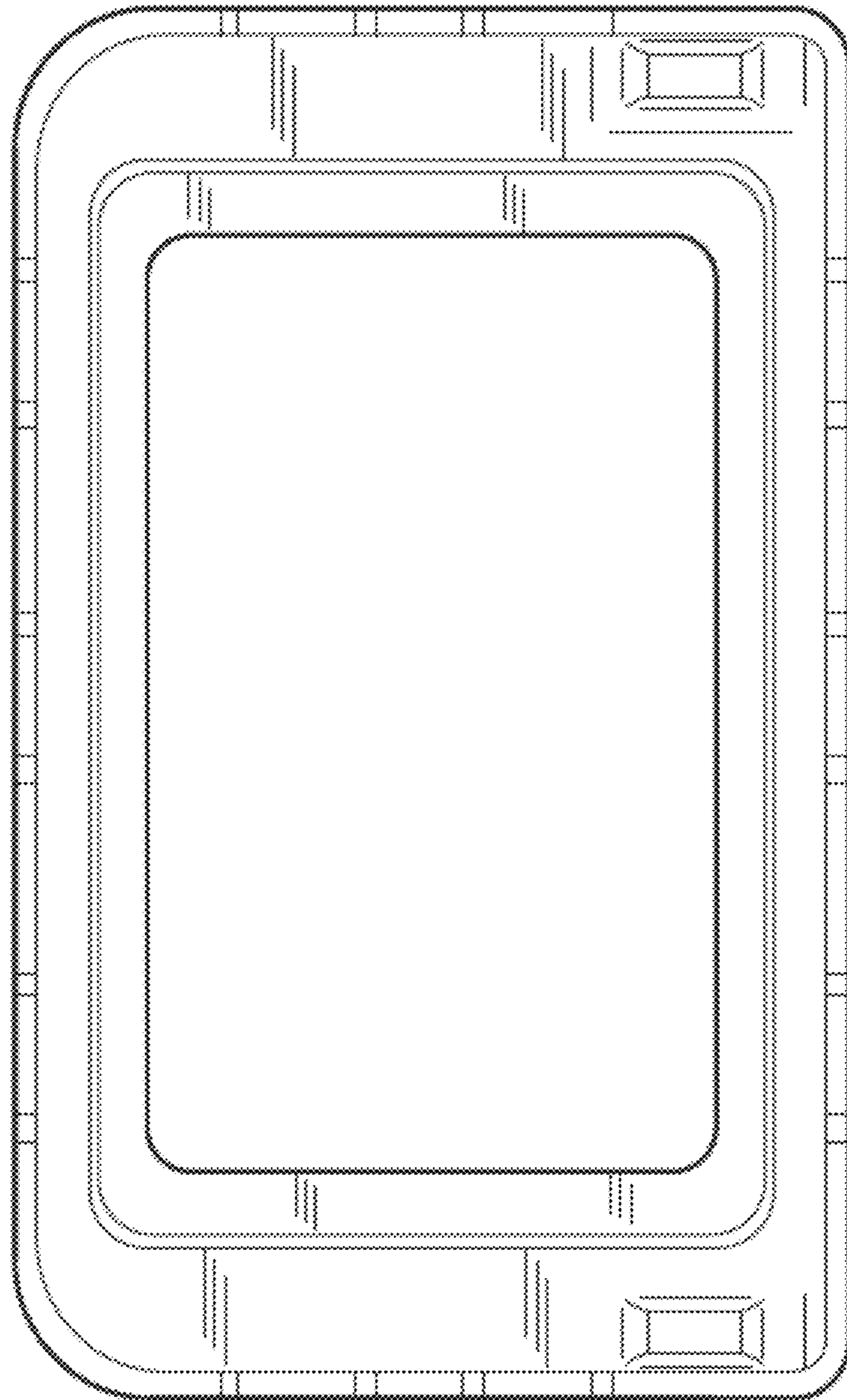


Fig. 6