



US00D718699S

(12) **United States Design Patent**
Nirenberg

(10) **Patent No.:** **US D718,699 S**

(45) **Date of Patent:** **** Dec. 2, 2014**

(54) **ILLUMINATED SPACER FOR A CUP
HOLDER**

(71) Applicant: **David B. Nirenberg**, Bonita Springs, FL
(US)

(72) Inventor: **David B. Nirenberg**, Bonita Springs, FL
(US)

(73) Assignee: **Lake Red Rock LLC**, Ankeny, IA (US)

(**) Term: **14 Years**

(21) Appl. No.: **29/462,909**

(22) Filed: **Aug. 9, 2013**

(51) **LOC (10) Cl.** **12-16**

(52) **U.S. Cl.**
USPC **D12/419**

(58) **Field of Classification Search**
USPC D12/419, 416, 417, 418, 415, 420;
D21/421; D7/619.1-625, 701;
296/37.1, 37.8, 37.13-37.16, 36;
22/539; 224/404; 297/411.26, 411.23

See application file for complete search history.

(56) **References Cited**

U.S. PATENT DOCUMENTS

D338,138 S *	8/1993	Miyajima	D7/620
D360,396 S *	7/1995	Collins	D12/419
D409,135 S *	5/1999	Davis	D12/420
D422,182 S *	4/2000	Miljanich	D7/619.1
D425,012 S *	5/2000	Bergin	D12/419
D484,087 S *	12/2003	Cheng et al.	D12/420
D515,879 S *	2/2006	Gomes et al.	D7/620
D536,658 S *	2/2007	Holmes	D12/419
D714,594 *	10/2014	Blandl et al.	D7/620

* cited by examiner

Primary Examiner — Katrina A Betton

(74) *Attorney, Agent, or Firm* — Porter, Wright, Morris & Arthur, LLP

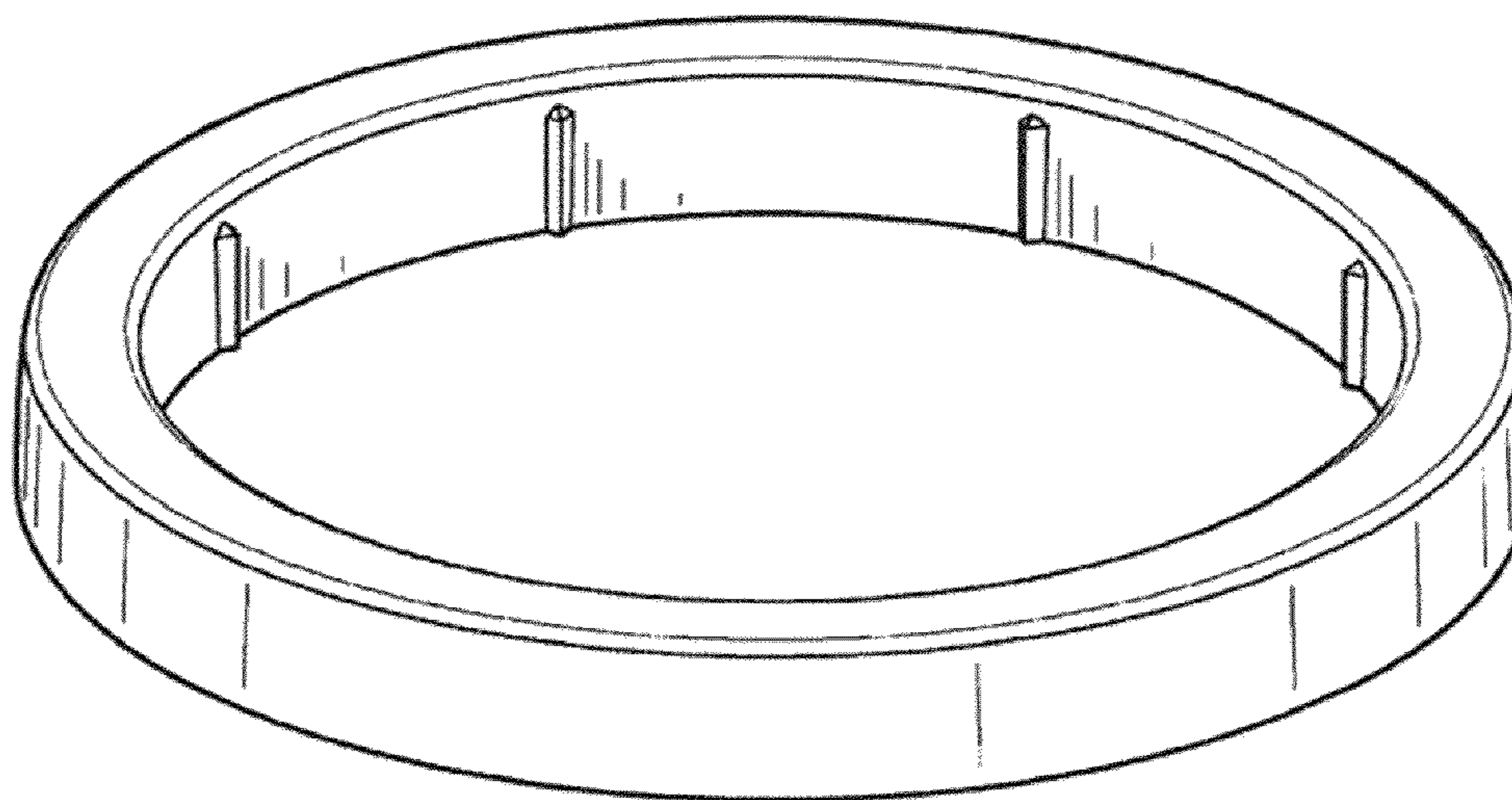
(57) **CLAIM**

The ornamental design for an illuminated spacer for a cup holder, as shown and described.

DESCRIPTION

FIG. 1 is a top perspective view of an illuminated spacer for a cup holder according to my new design; FIG. 2 is a bottom perspective view thereof; FIG. 3 is a front view thereof, the rear, left-side, and right-side views being the same; FIG. 4 is a top view thereof; and, FIG. 5 is a bottom view thereof.

1 Claim, 2 Drawing Sheets



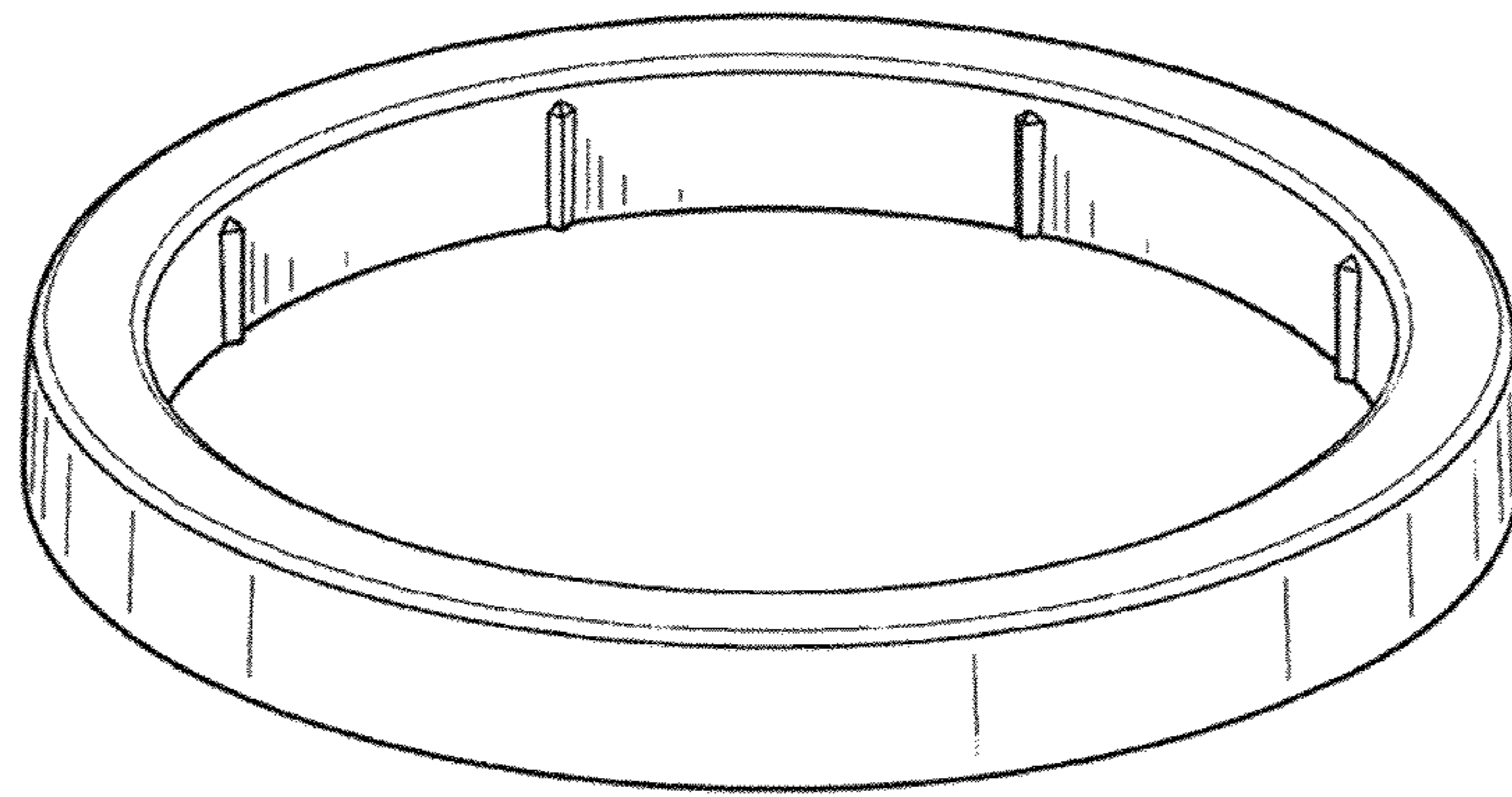


FIG. 1

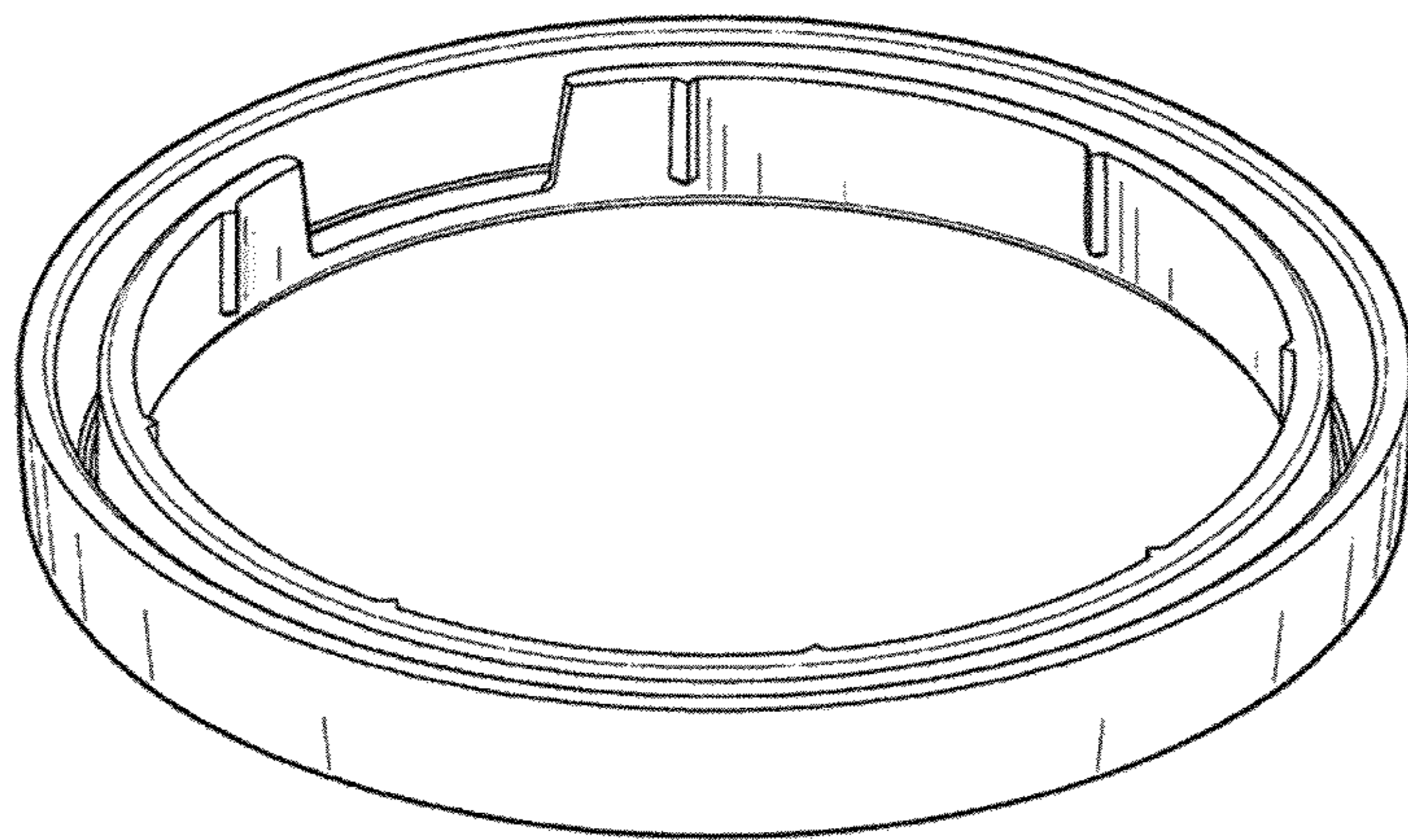


FIG. 2



FIG. 3

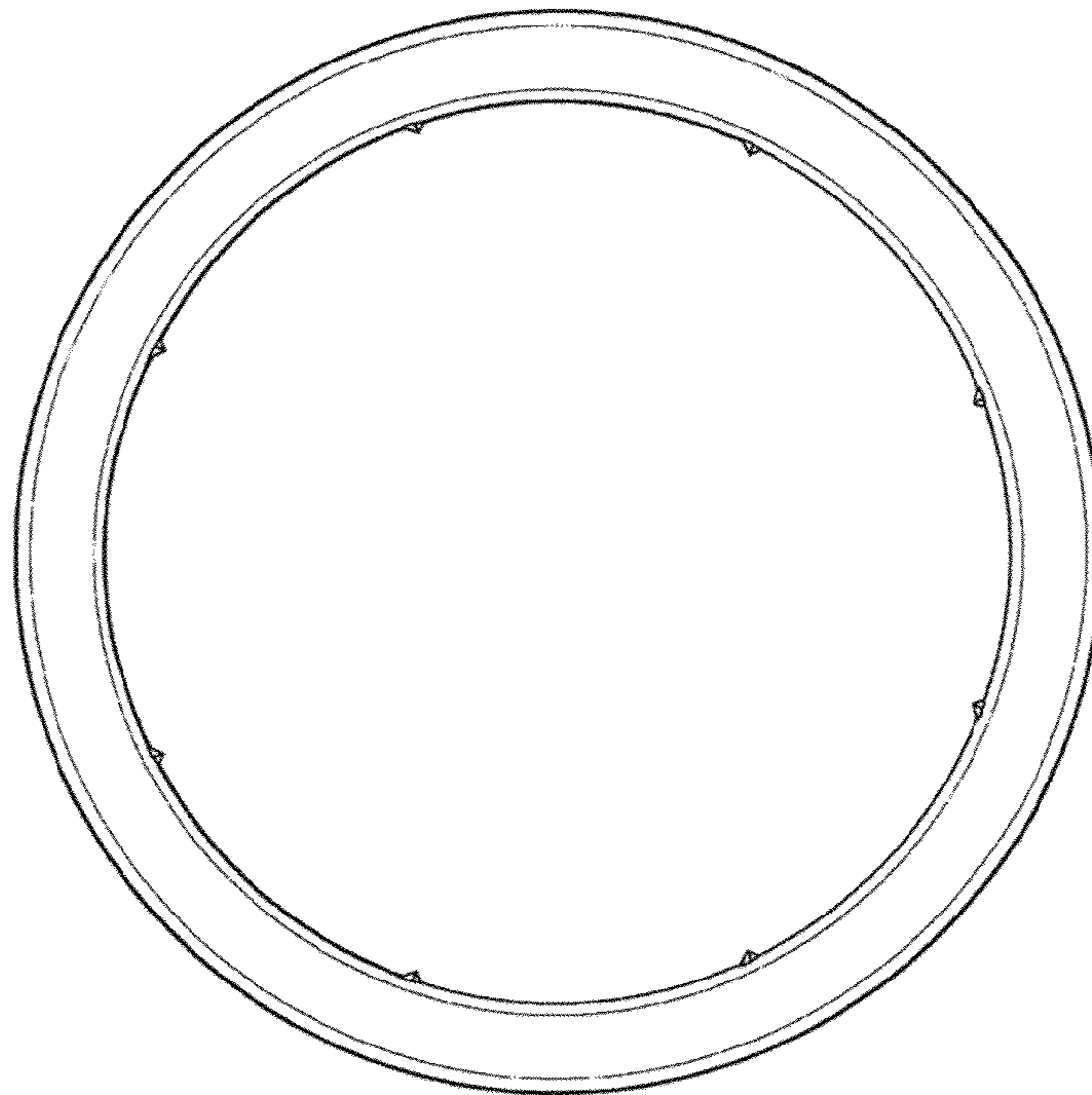


FIG. 4

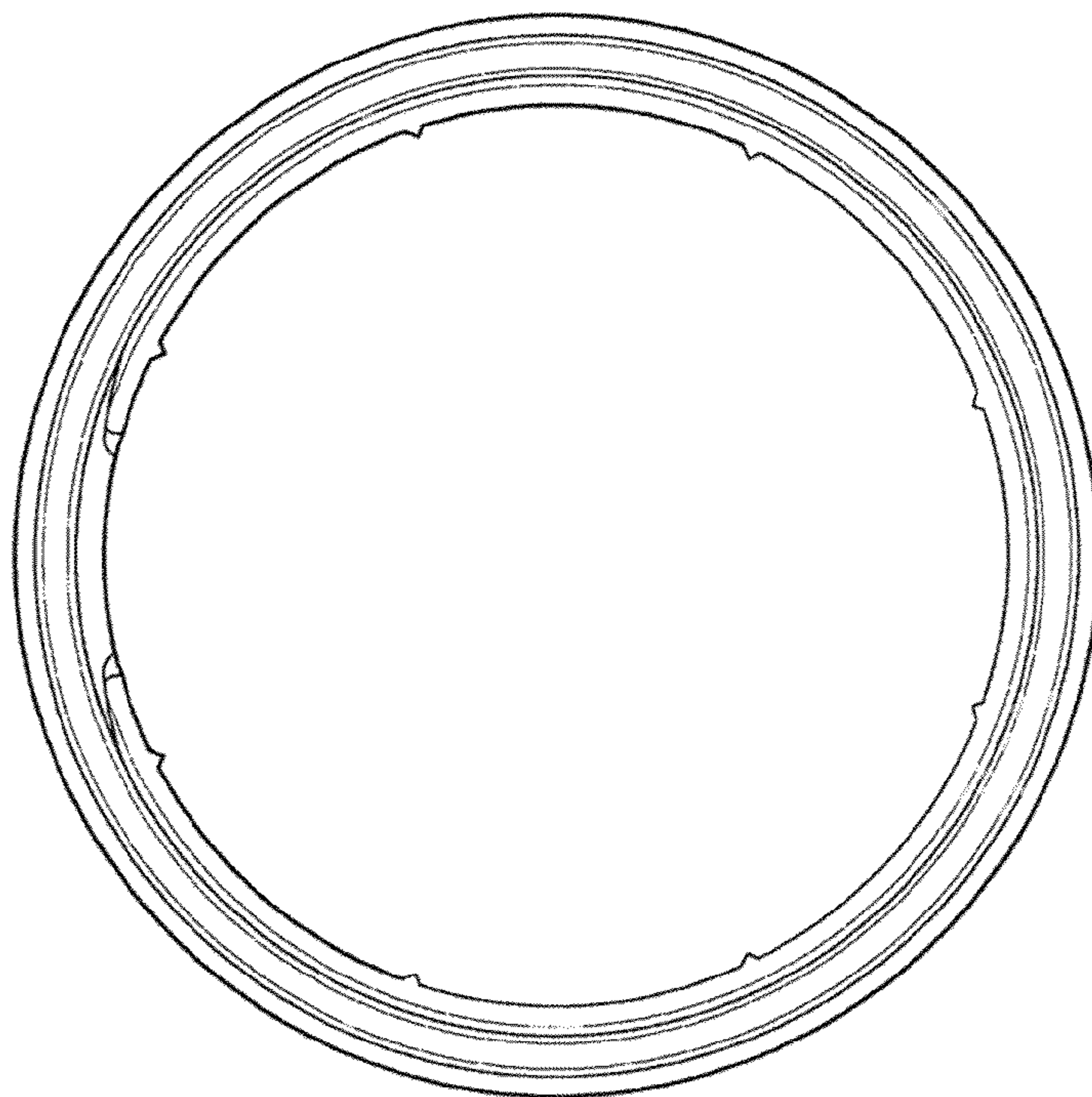


FIG. 5