



US00D718698S

(12) **United States Design Patent**  
**Cooney**

(10) **Patent No.:** **US D718,698 S**  
(45) **Date of Patent:** **\*\* Dec. 2, 2014**

- (54) **PONTOON BOAT WALL**
- (75) Inventor: **John R. Cooney**, Midland, MI (US)
- (73) Assignee: **Avalon Pontoons**, Alma, MI (US)
- (\*\*) Term: **14 Years**
- (21) Appl. No.: **29/398,447**
- (22) Filed: **Jul. 29, 2011**
- (51) **LOC (10) Cl.** ..... **12-06**
- (52) **U.S. Cl.**  
USPC ..... **D12/317**
- (58) **Field of Classification Search**  
USPC ..... D12/300, 301, 303-306, 310-318;  
D21/542-544; 114/61.1, 61.14, 61.2,  
114/61.22, 61.24, 343, 352, 355, 356, 357,  
114/361  
See application file for complete search history.

5,452,678 A *	9/1995	Simpkins	.....	114/361
5,706,752 A *	1/1998	Menne et al.	.....	114/361
6,598,552 B1 *	7/2003	Rouse	.....	114/61.2
7,484,472 B1 *	2/2009	Highfield	.....	114/361

\* cited by examiner

*Primary Examiner* — Cynthia M Chin

(74) *Attorney, Agent, or Firm* — Robert L. Stearns;  
Dickinson Wright, PLLC

(57) **CLAIM**

I claim the ornamental design for a pontoon boat wall, as shown and described.

**DESCRIPTION**

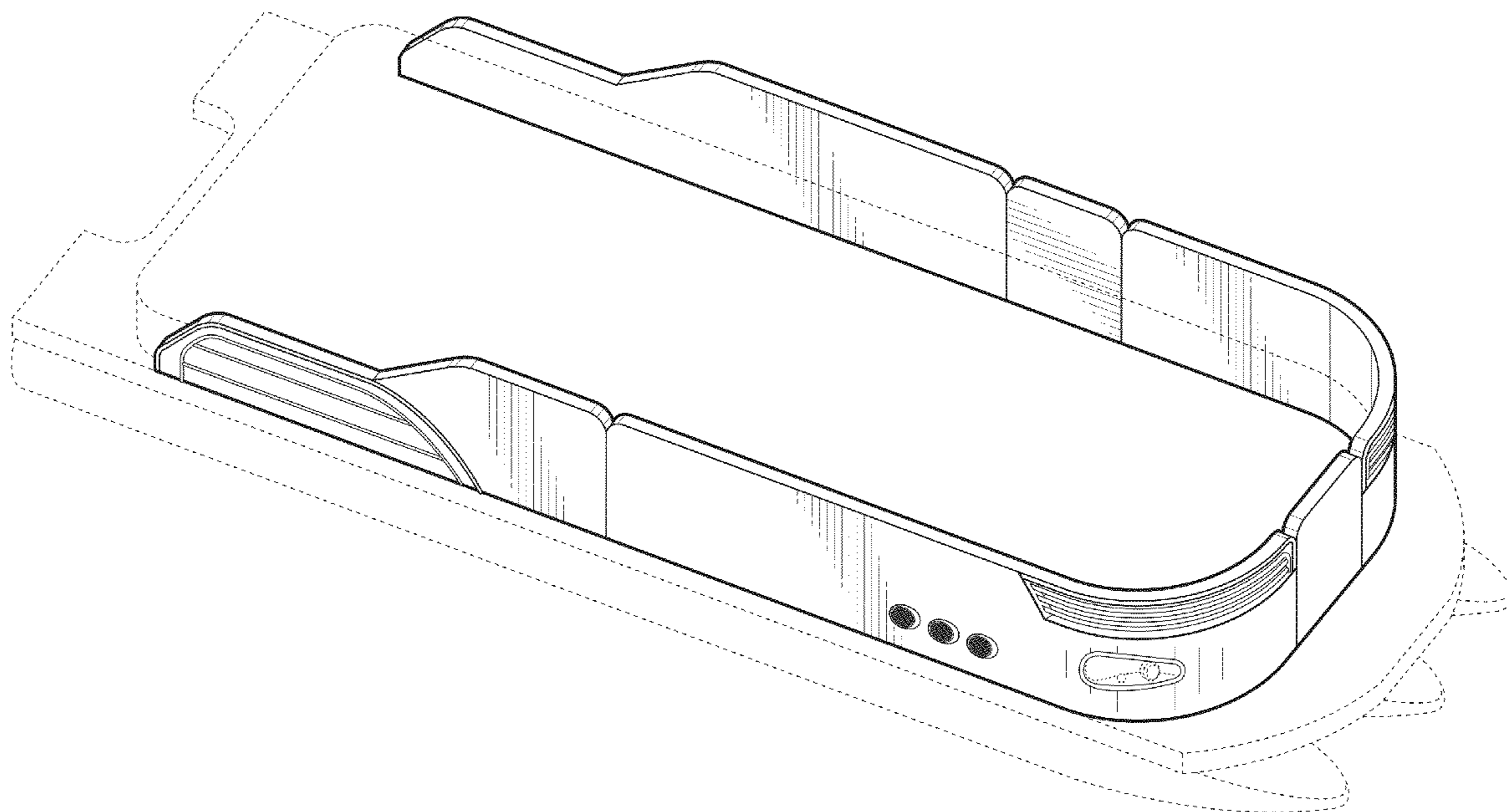
FIG. 1 is a perspective view of an exemplary pontoon boat including the pontoon boat wall;  
 FIG. 2 is a top view of the pontoon boat wall;  
 FIG. 3 is a right side view of the pontoon boat wall;  
 FIG. 4 is a left side view of the trim piece;  
 FIG. 5 is a rear side view of the trim piece; and,  
 FIG. 6 is a front view of the trim piece.  
 The broken lines shown are included for the purpose of illustrating an exemplary environment in which the article resides and form no part of the claimed design.

**1 Claim, 3 Drawing Sheets**

(56) **References Cited**

U.S. PATENT DOCUMENTS

D298,310 S *	11/1988	Robbins	.....	D12/306
4,883,016 A *	11/1989	Larson	.....	114/363
D341,811 S *	11/1993	Pepper	.....	D12/314
5,279,249 A *	1/1994	Pepper	.....	114/356



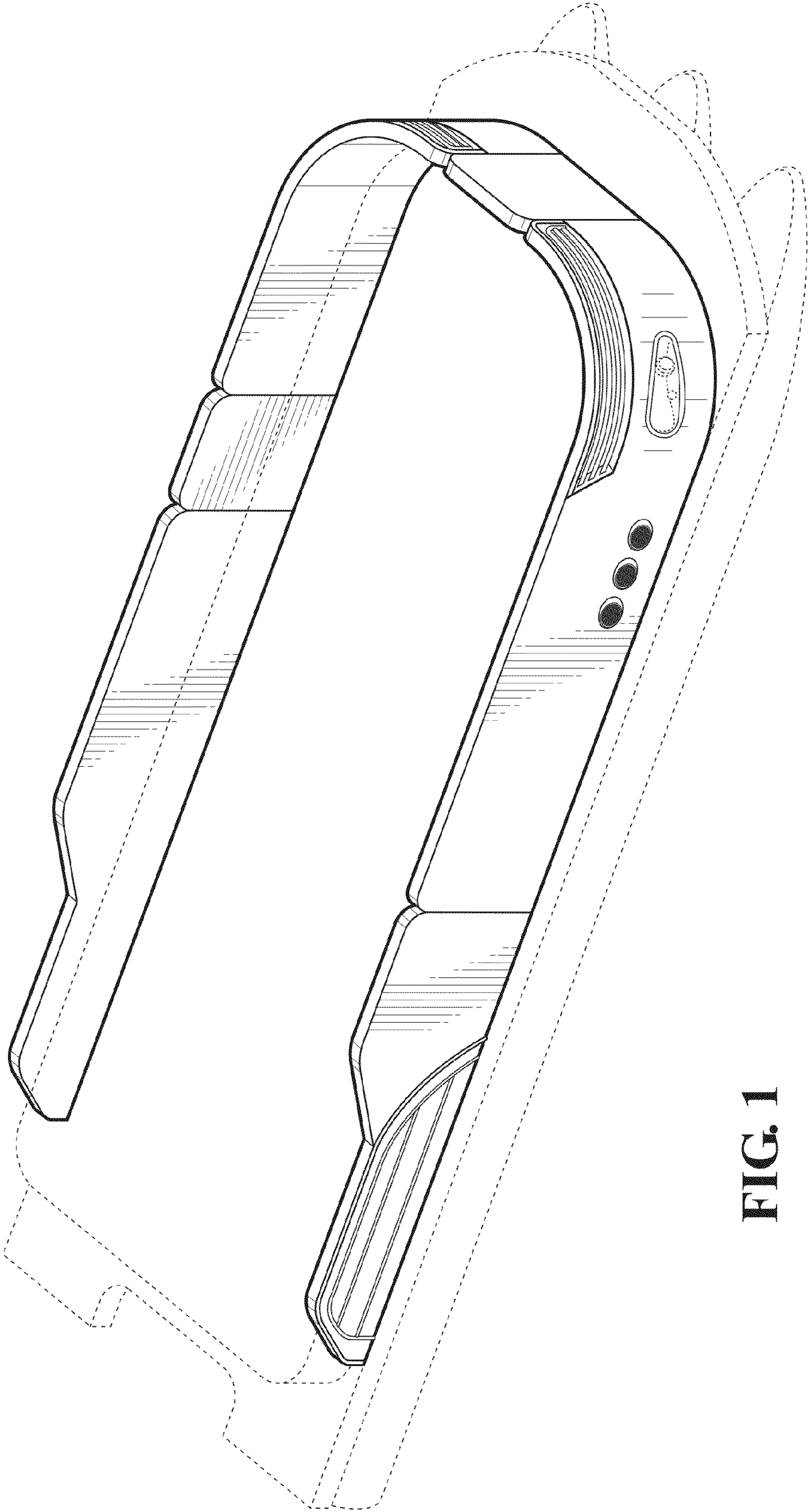


FIG. 1

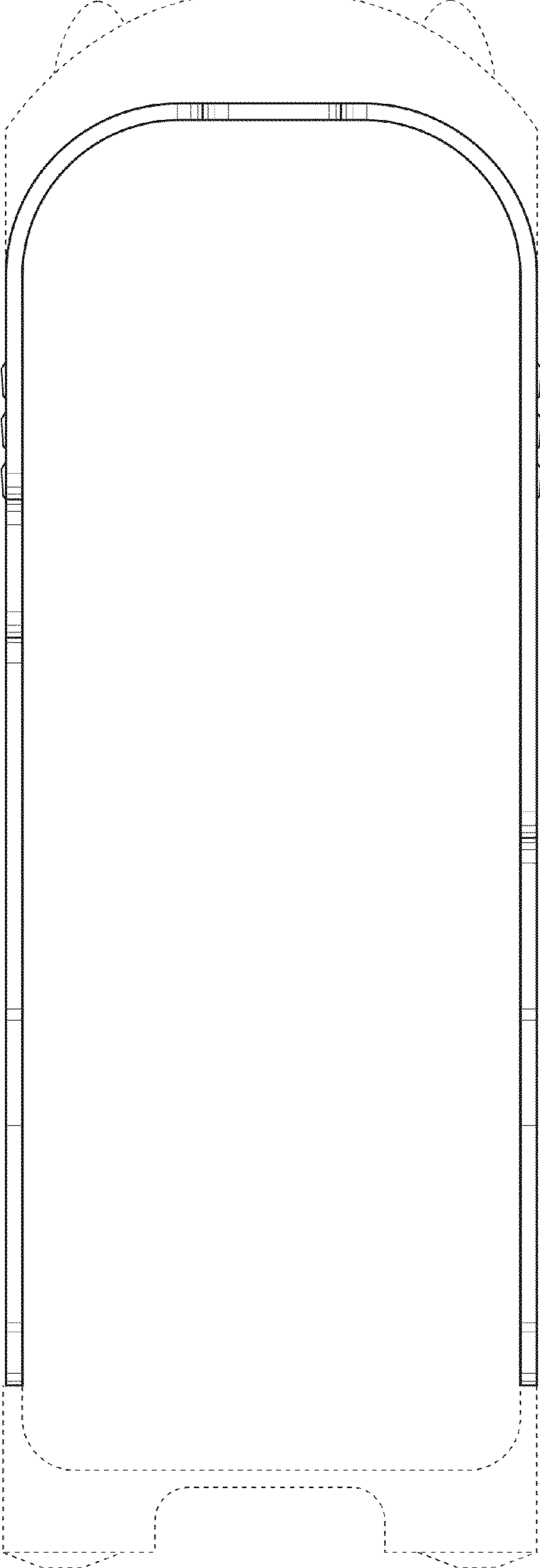


FIG. 2

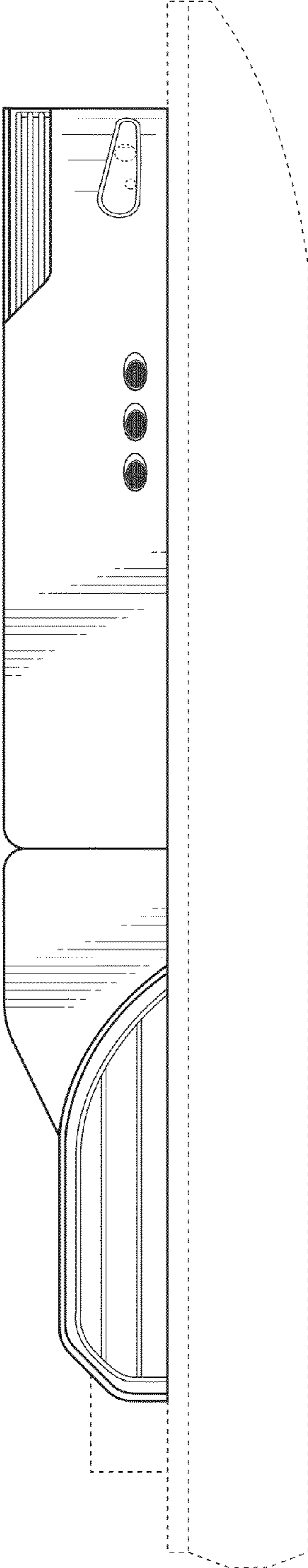


FIG. 3

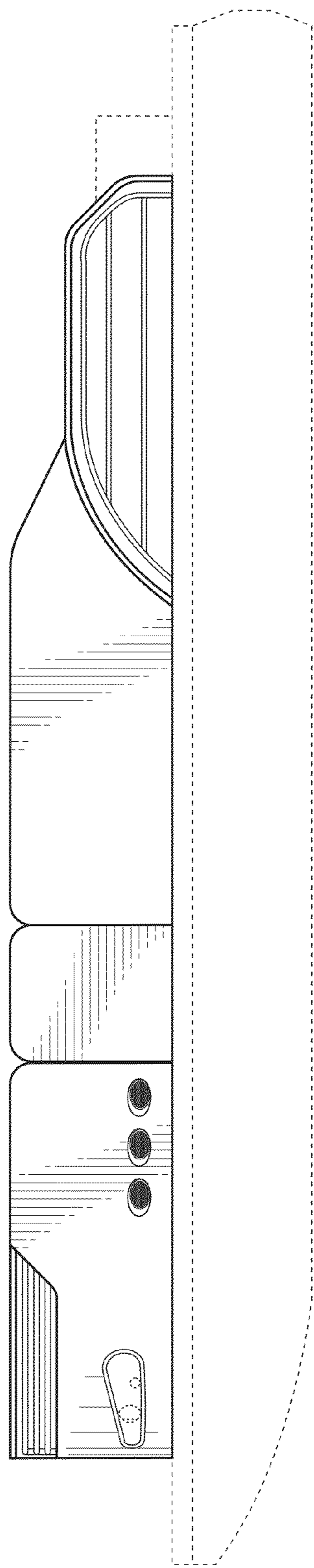


FIG. 4

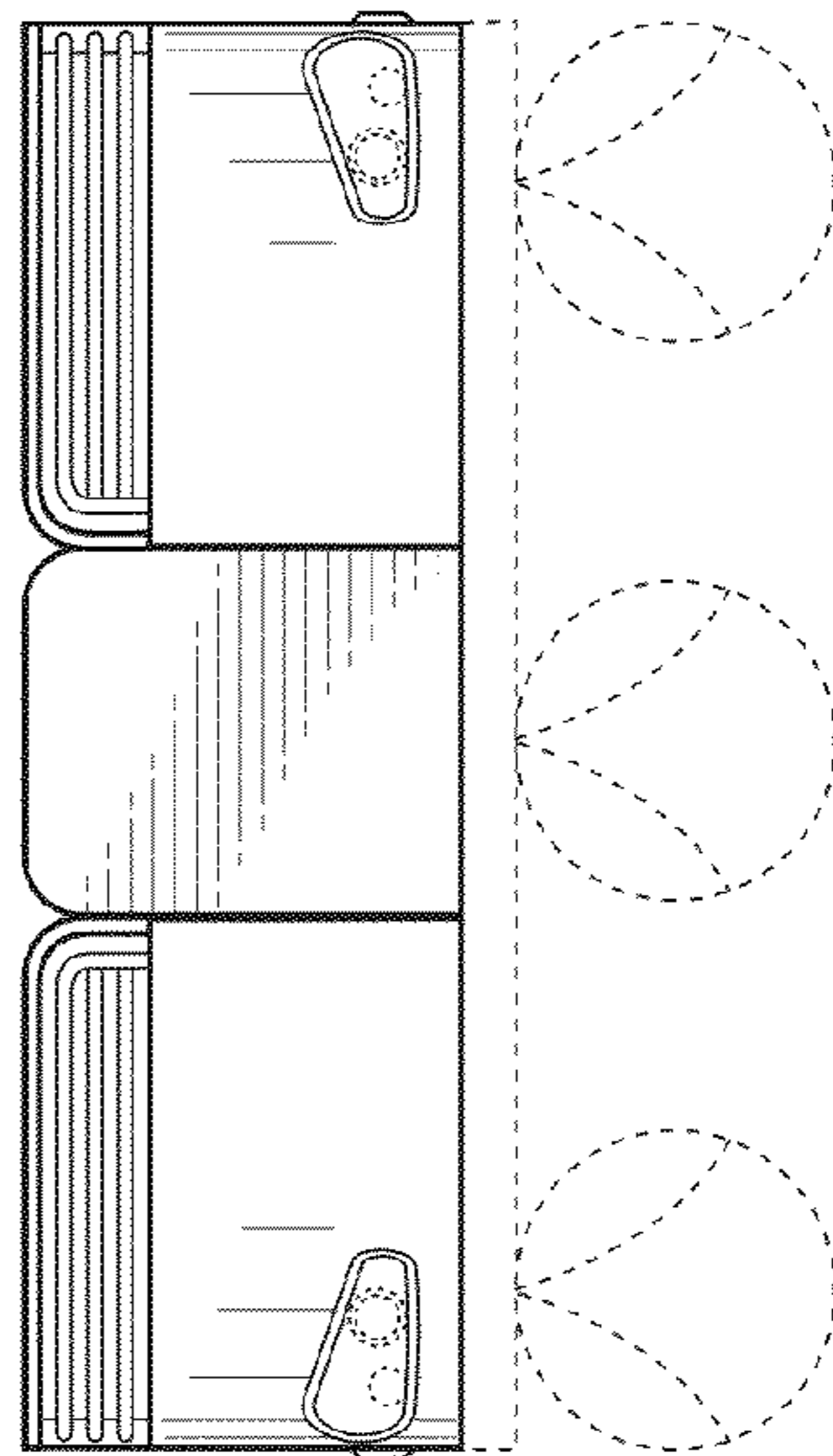


FIG. 6

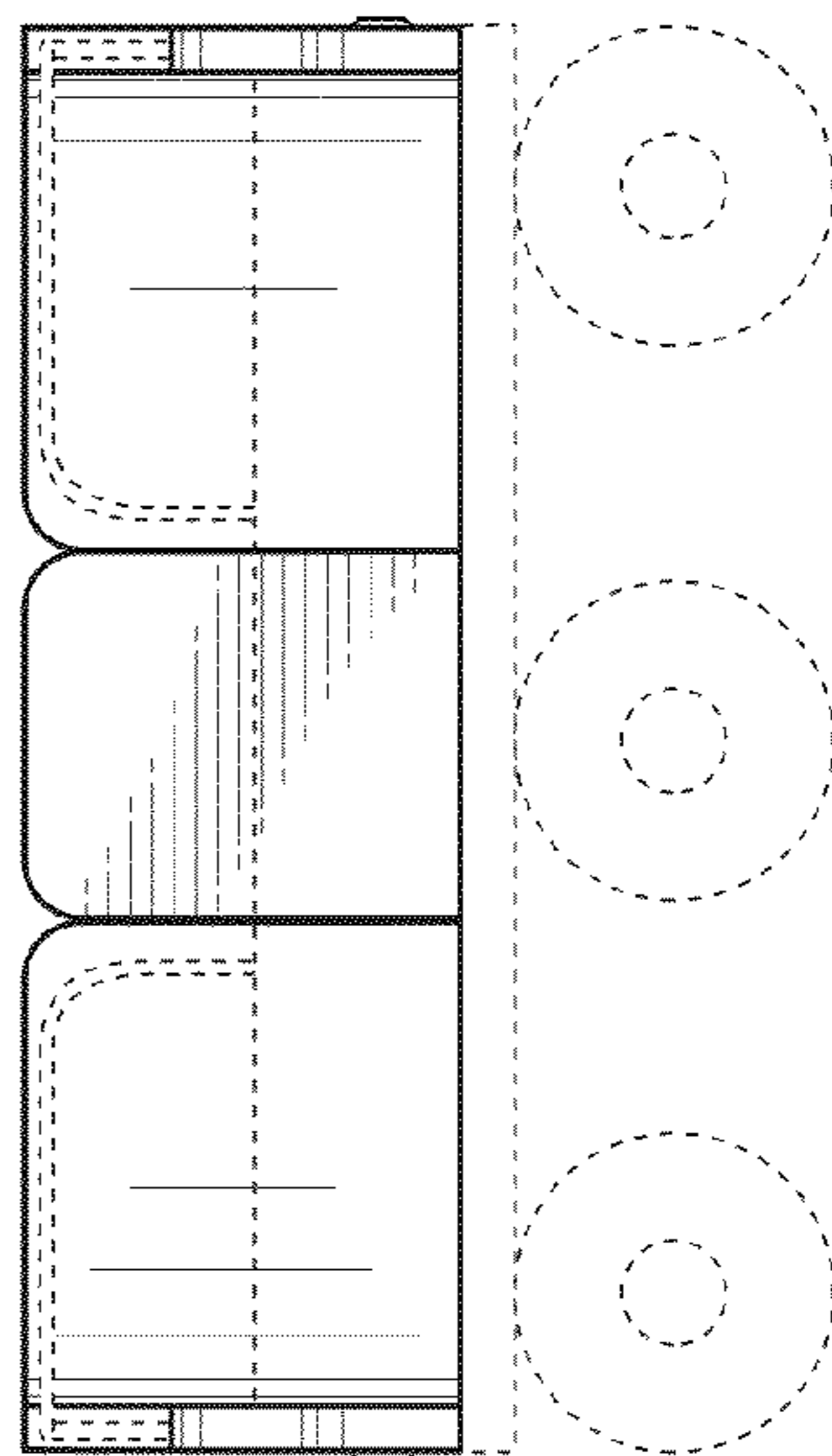


FIG. 5