



US00D718696S

(12) **United States Design Patent**
Gotschke et al.

(10) **Patent No.:** **US D718,696 S**
(45) **Date of Patent:** **** Dec. 2, 2014**

(54) **VEHICLE WHEEL**

(71) Applicant: **Ford Motor Company**, Dearborn, MI (US)

(72) Inventors: **Wolfgang Gotschke**, Cologne (DE);
Ulrike Kolb, Cologne (DE)

(73) Assignee: **Ford Motor Company**, Dearborn, MI (US)

(**) Term: **14 Years**

(21) Appl. No.: **29/482,053**

(22) Filed: **Feb. 13, 2014**

(51) **LOC (10) Cl.** **12-16**

(52) **U.S. Cl.**
USPC **D12/209**

(58) **Field of Classification Search**
CPC B60B 7/00; B60B 7/02; B60B 7/04;
B60B 7/01; B60B 7/06; B60B 3/02; B60B 3/04;
B60B 3/06; B60B 3/10; B60B 1/00; B60B 1/08;
B60B 1/10; B60B 1/12
USPC D12/204-213
See application file for complete search history.

(56) **References Cited**

U.S. PATENT DOCUMENTS

D579,846 S *	11/2008	Chung	D12/209
D630,144 S *	1/2011	Chung	D12/209
D647,449 S *	10/2011	Gotschke	D12/209
D655,659 S *	3/2012	Schweizer	D12/209
D671,481 S *	11/2012	Amezketta	D12/211
D673,492 S *	1/2013	Muller	D12/209
D686,964 S *	7/2013	Baum et al.	D12/211
D696,177 S *	12/2013	Juergens et al.	D12/209
D698,297 S *	1/2014	Chung	D12/209

* cited by examiner

Primary Examiner — Stacia Cadmus

(74) *Attorney, Agent, or Firm* — Damian Porcari

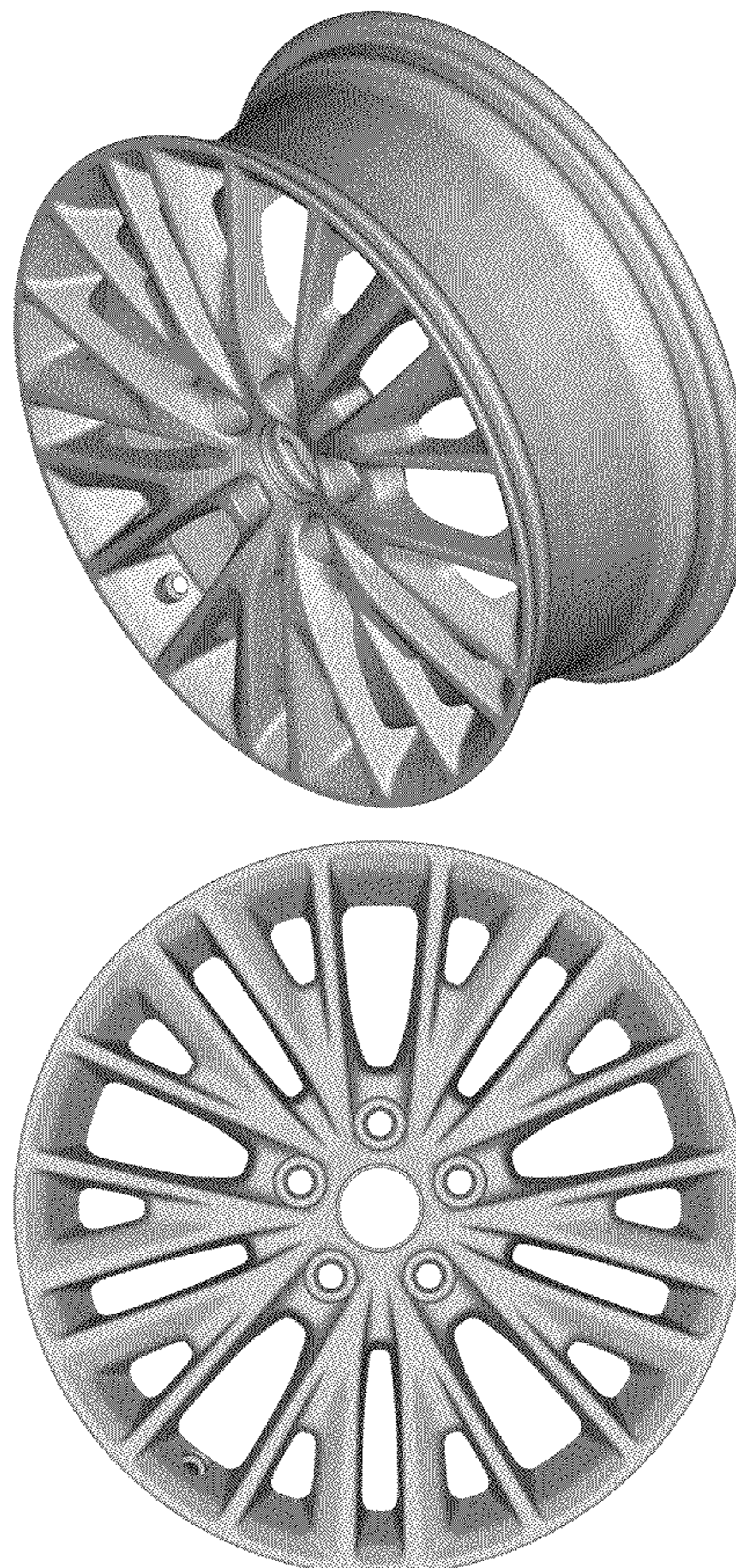
(57) **CLAIM**

The ornamental design for a vehicle wheel, as shown and described.

DESCRIPTION

FIG. 1 is a perspective view of a vehicle wheel; and, FIG. 2 is a front view thereof.

1 Claim, 2 Drawing Sheets



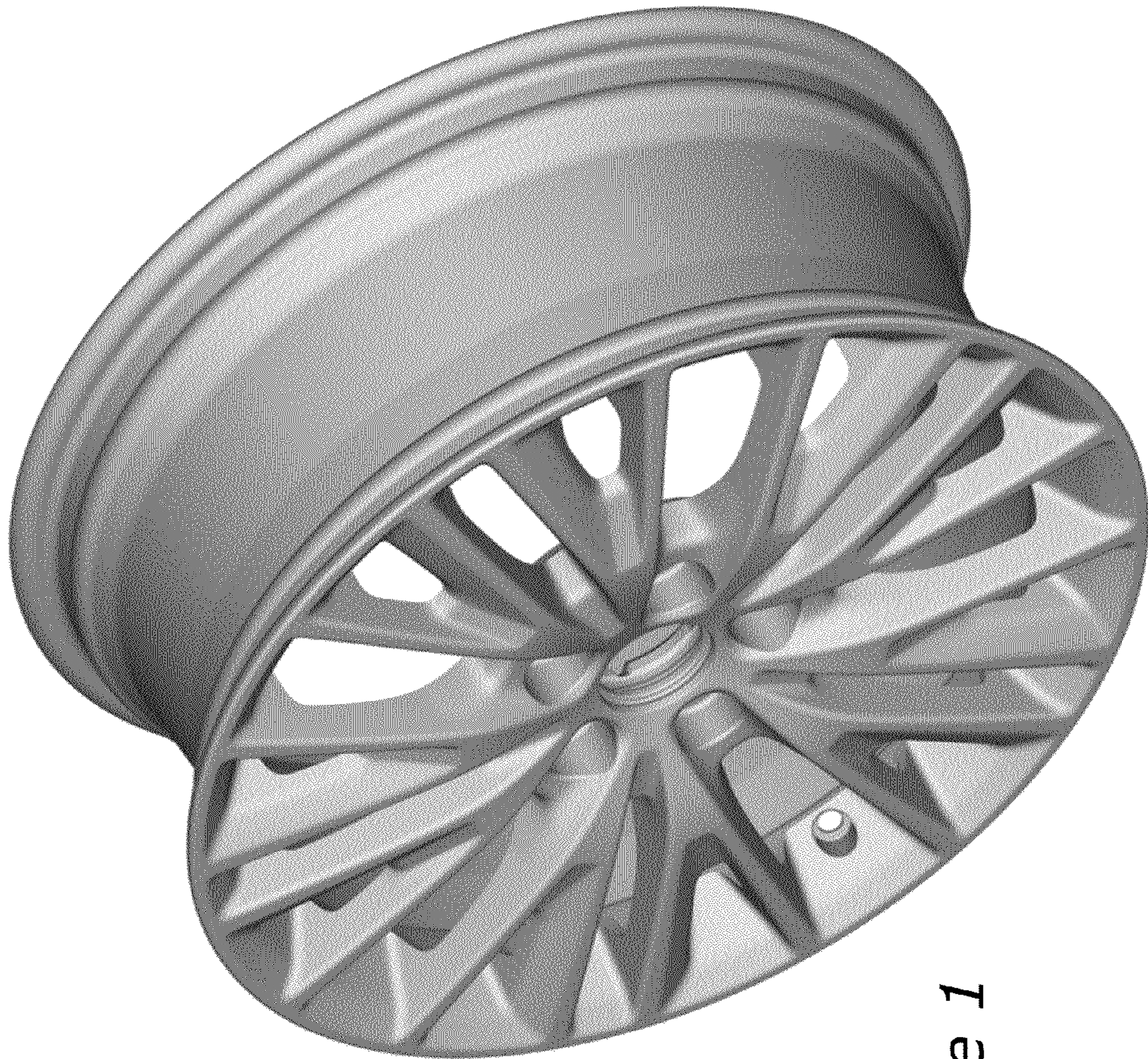


Figure 1



Figure 2