



US00D718695S

(12) **United States Design Patent**
Galante et al.

(10) **Patent No.:** **US D718,695 S**
(45) **Date of Patent:** **** Dec. 2, 2014**

- (54) **VEHICLE LIFT GATE**
- (71) Applicants: **Vincent Galante**, Troy, MI (US); **Mark Allen**, Oxford, MI (US)
- (72) Inventors: **Vincent Galante**, Troy, MI (US); **Mark Allen**, Oxford, MI (US)
- (73) Assignee: **Chrysler Group LLC**, Auburn Hills, MI (US)
- (**) Term: **14 Years**
- (21) Appl. No.: **29/489,161**
- (22) Filed: **Apr. 28, 2014**

D420,939 S	2/2000	Faurote et al.	
D454,813 S	3/2002	Boniface et al.	
D476,268 S	6/2003	Castiglione et al.	
D519,066 S	4/2006	Ney et al.	
D534,097 S	12/2006	Renkert et al.	
D534,458 S	1/2007	Renkert et al.	
D551,124 S	9/2007	Aneiros et al.	
D554,564 S	11/2007	Vardis et al.	
D650,721 S	12/2011	Galante et al.	
D681,529 S *	5/2013	Minami et al.	D12/196
D695,180 S *	12/2013	Hildebrand et al.	D12/196
D699,656 S *	2/2014	Watabe	D12/196
D703,583 S	4/2014	Howell et al.	

* cited by examiner

Primary Examiner — Melody N Brown

(74) *Attorney, Agent, or Firm* — Ralph E Smith

Related U.S. Application Data

- (63) Continuation-in-part of application No. 29/434,717, filed on Oct. 16, 2012, now Pat. No. Des. 703,583.
- (51) **LOC (10) Cl.** **12-16**
- (52) **U.S. Cl.**
USPC **D12/196**
- (58) **Field of Classification Search**
CPC B62D 25/08
USPC D12/169, 216, 90-92, 86, 171, 196,
D12/163; 293/102, 113, 115, 117, 120;
296/180.1, 180.2
See application file for complete search history.

(57) **CLAIM**

The ornamental design for a vehicle lift gate, as shown and described.

DESCRIPTION

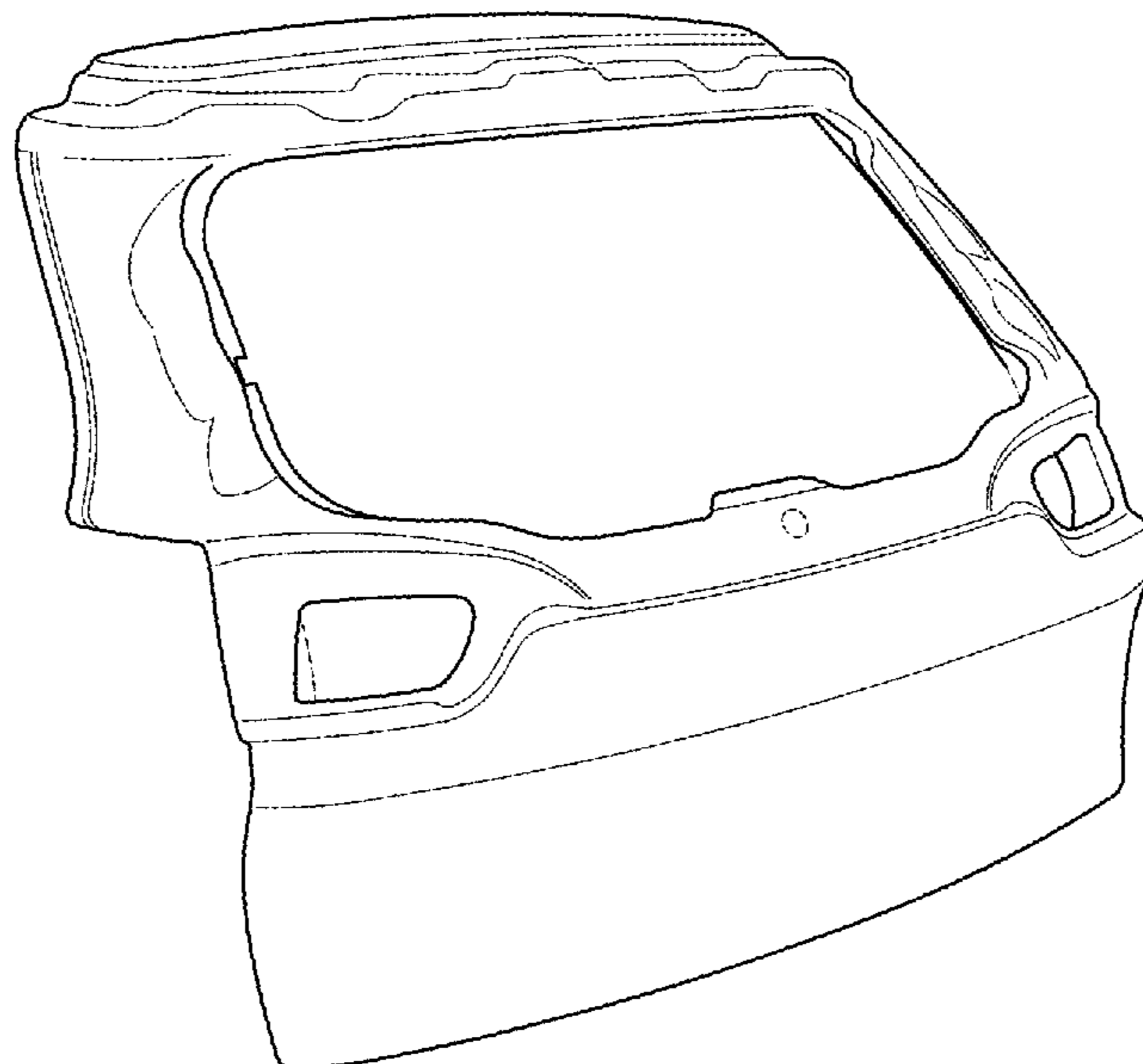
FIG. 1 is a front perspective view of a vehicle lift gate showing our new design;
 FIG. 2 is a rear perspective view thereof;
 FIG. 3 is a front elevational view thereof;
 FIG. 4 is a rear elevational view thereof;
 FIG. 5 is top plan view thereof;
 FIG. 6 is a bottom plan view thereof;
 FIG. 7 is a right side elevational view thereof; and,
 FIG. 8 is a left side elevational view thereof.
 It will be understood that the broken lines shown in the drawings illustrate portions of the vehicle lift gate that form no part of claimed design.

(56) **References Cited**

U.S. PATENT DOCUMENTS

D408,329 S	4/1999	Anness et al.
D416,519 S	11/1999	Won et al.

1 Claim, 4 Drawing Sheets



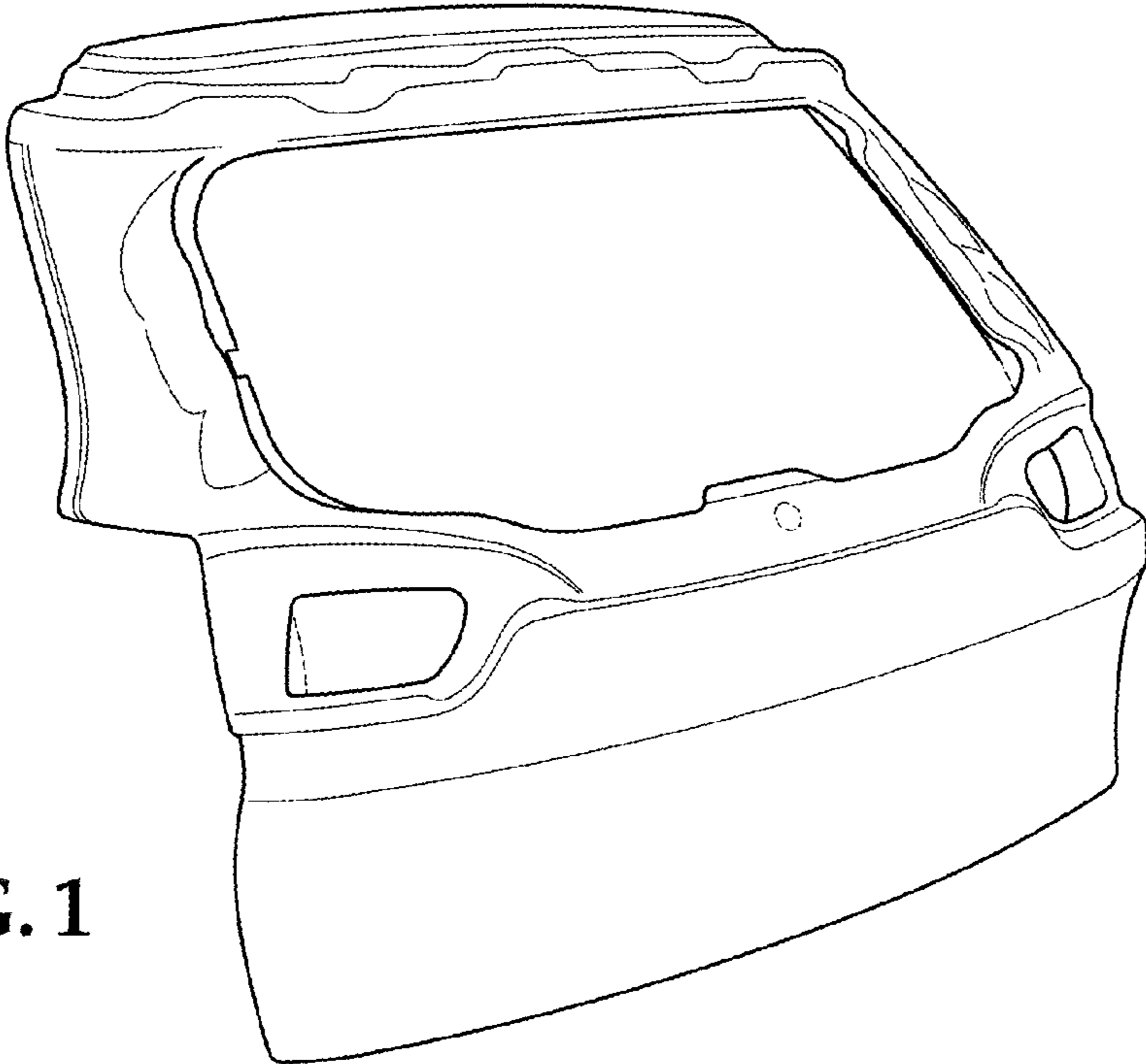


FIG. 1

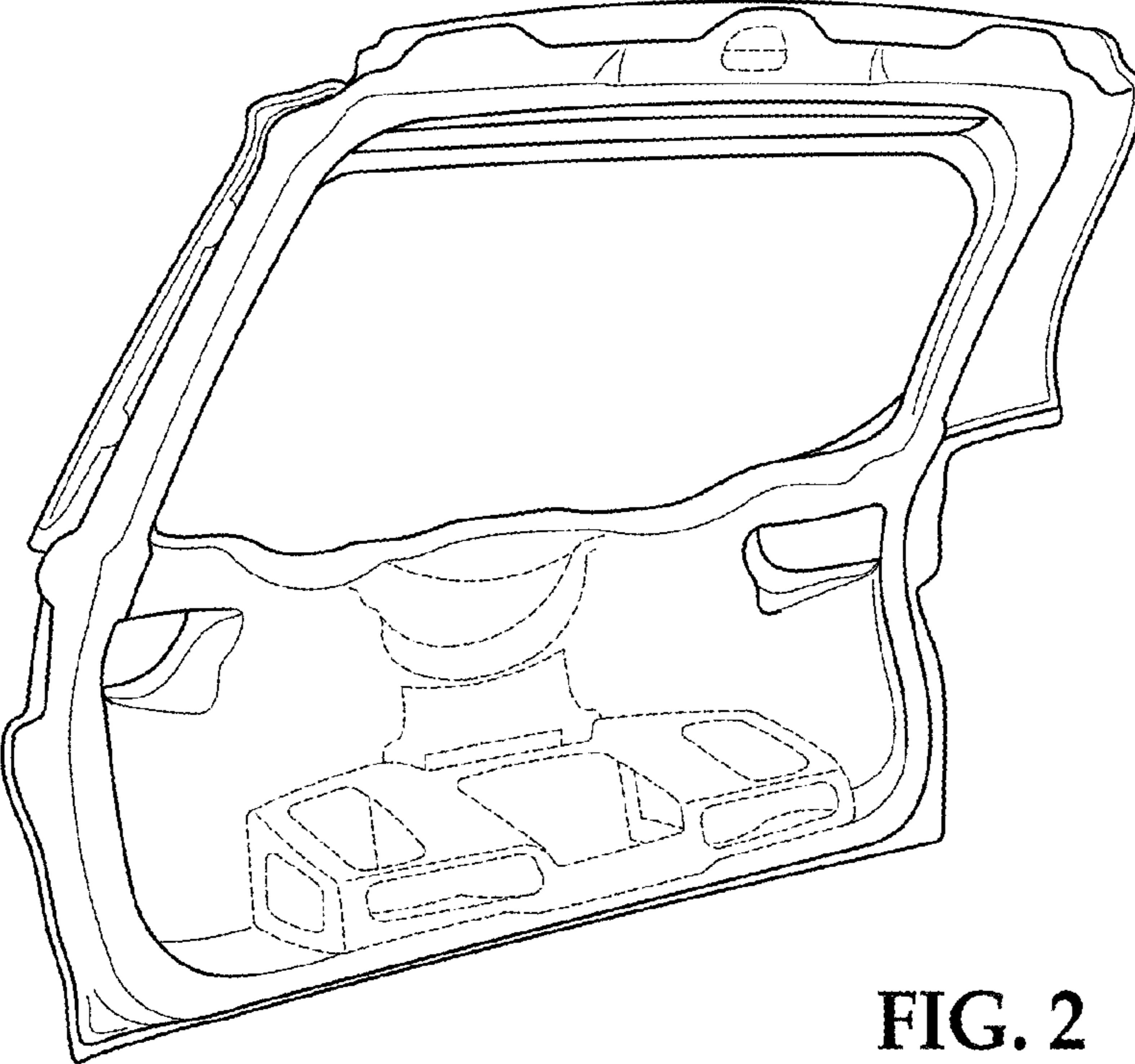


FIG. 2

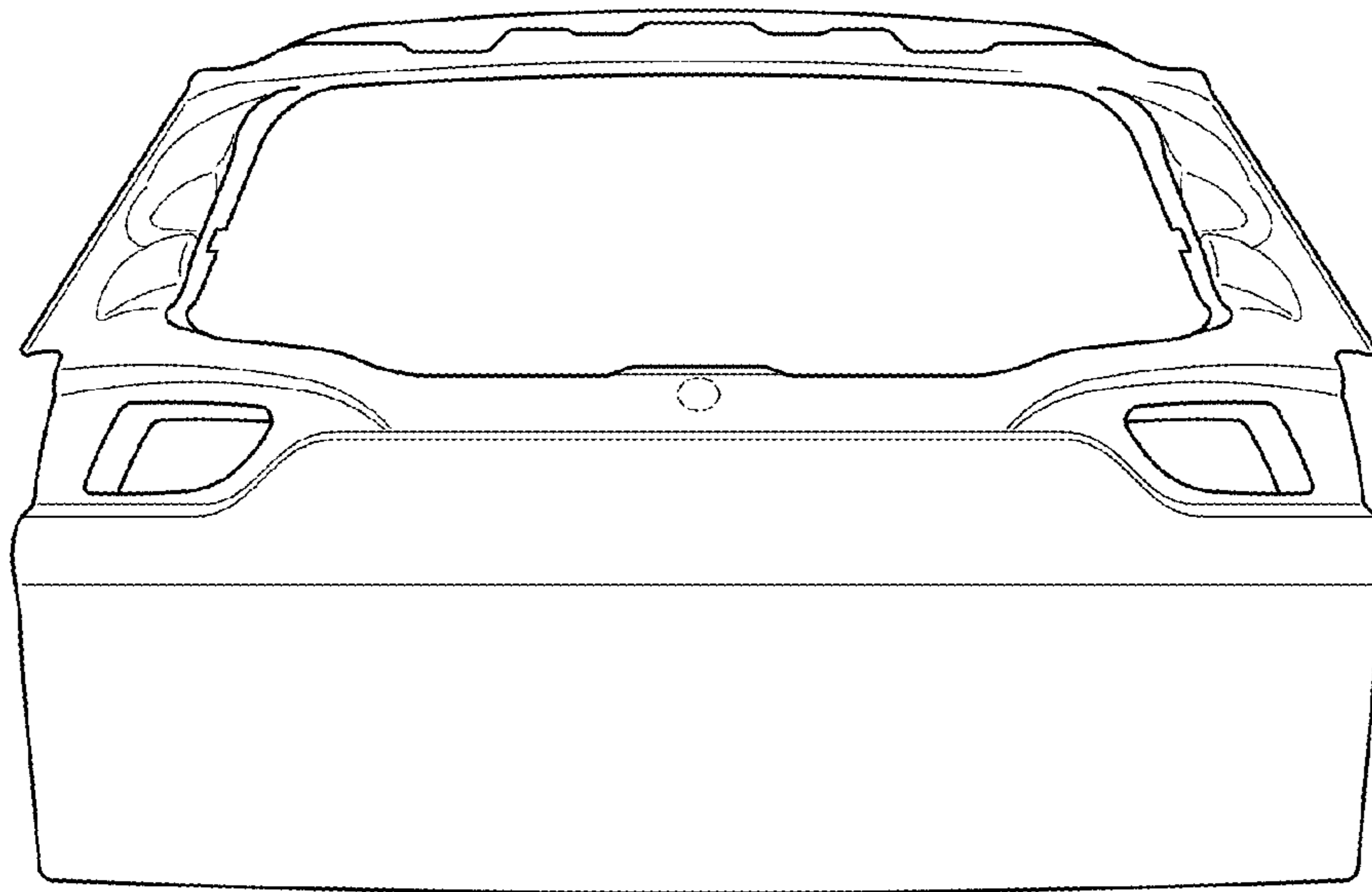


FIG. 3

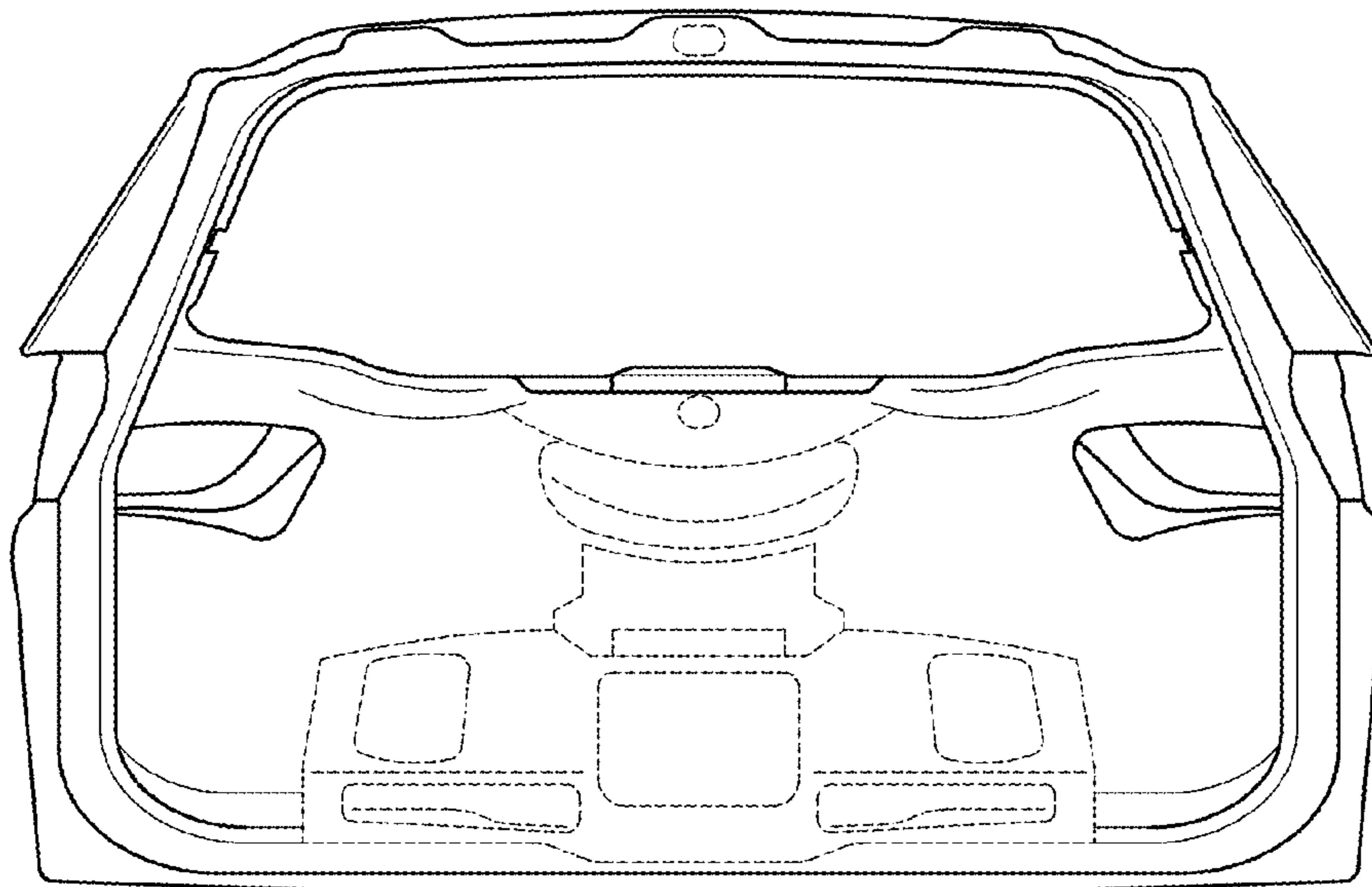


FIG. 4

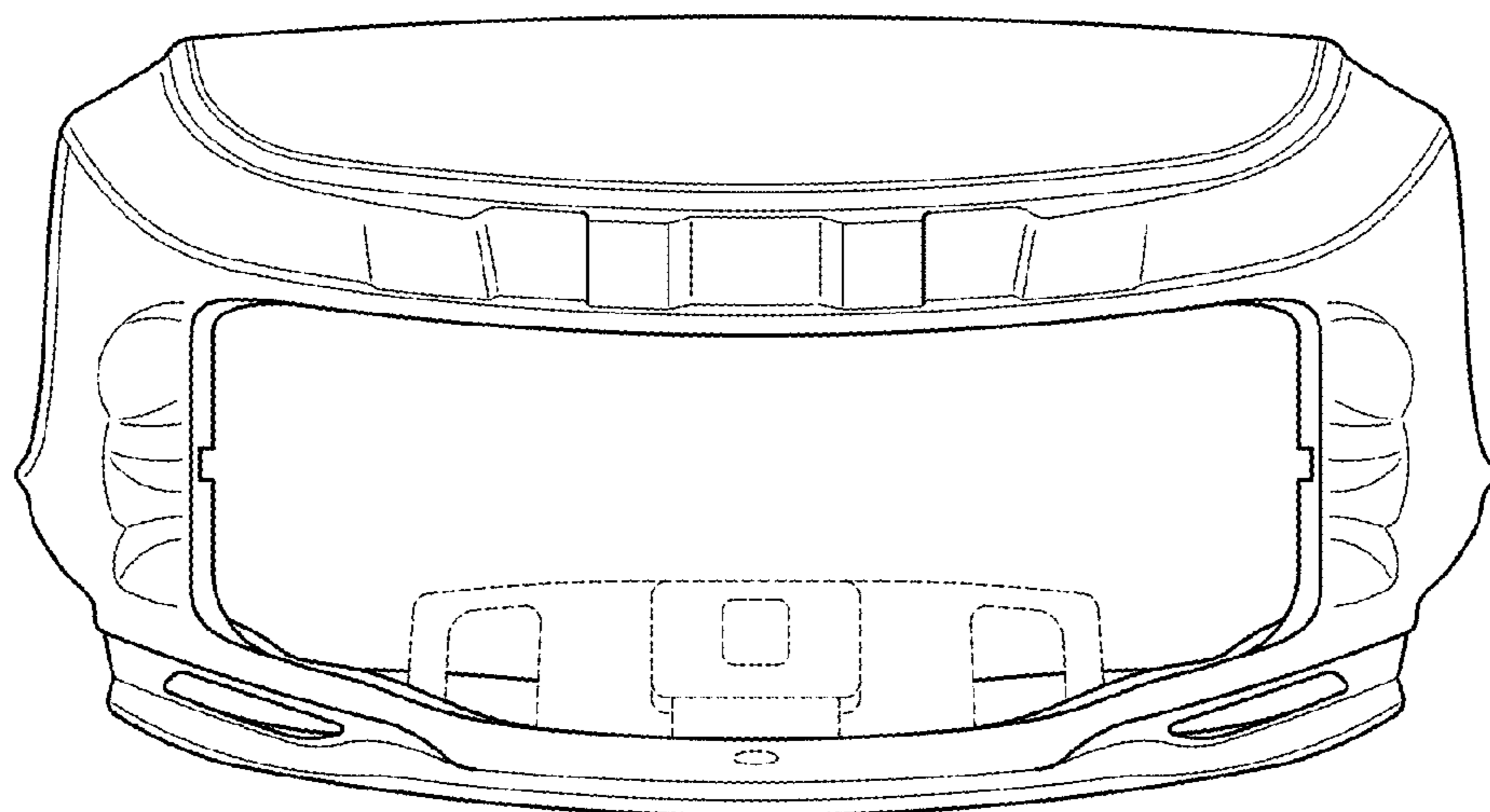


FIG. 5

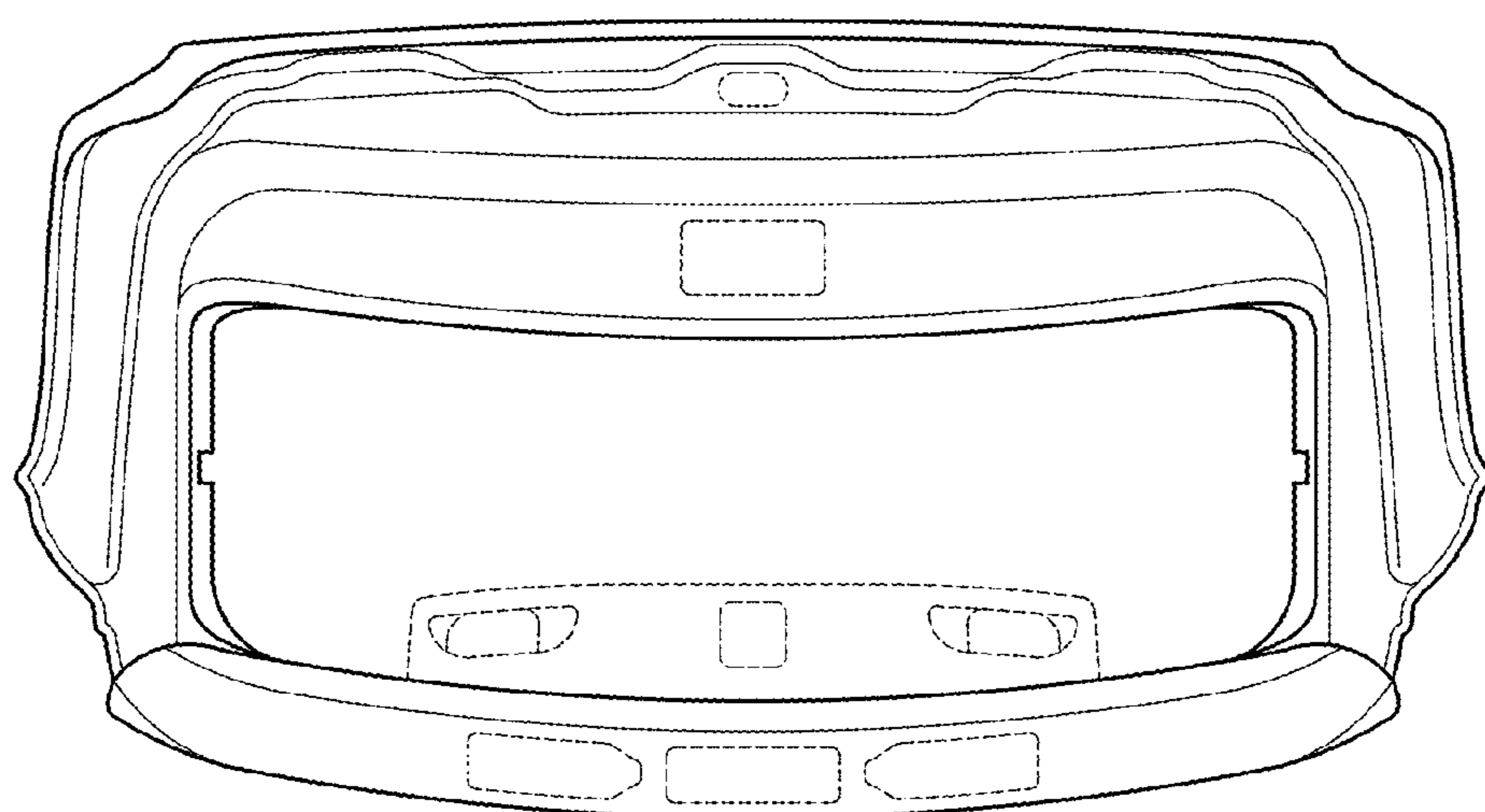


FIG. 6

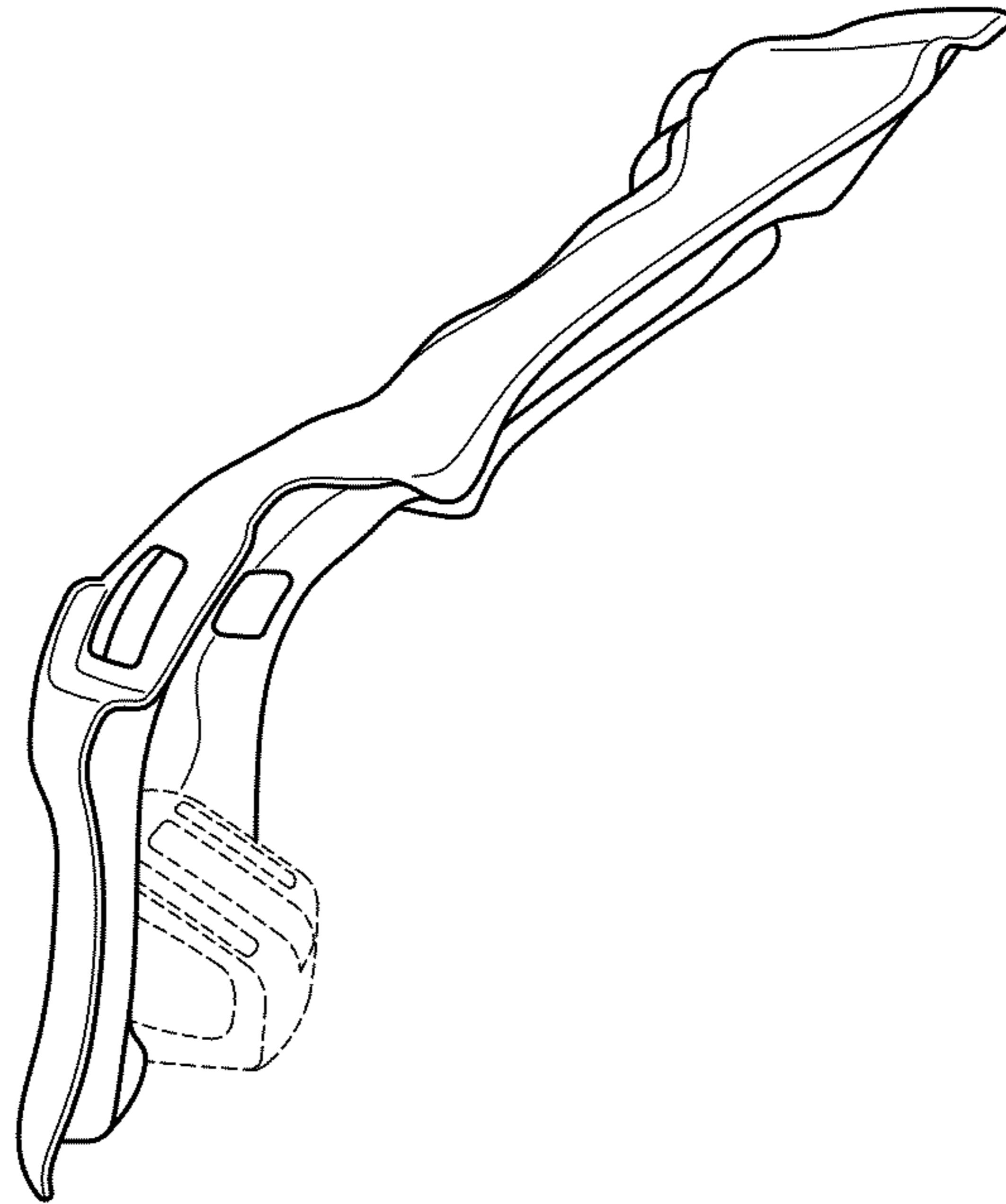


FIG. 7

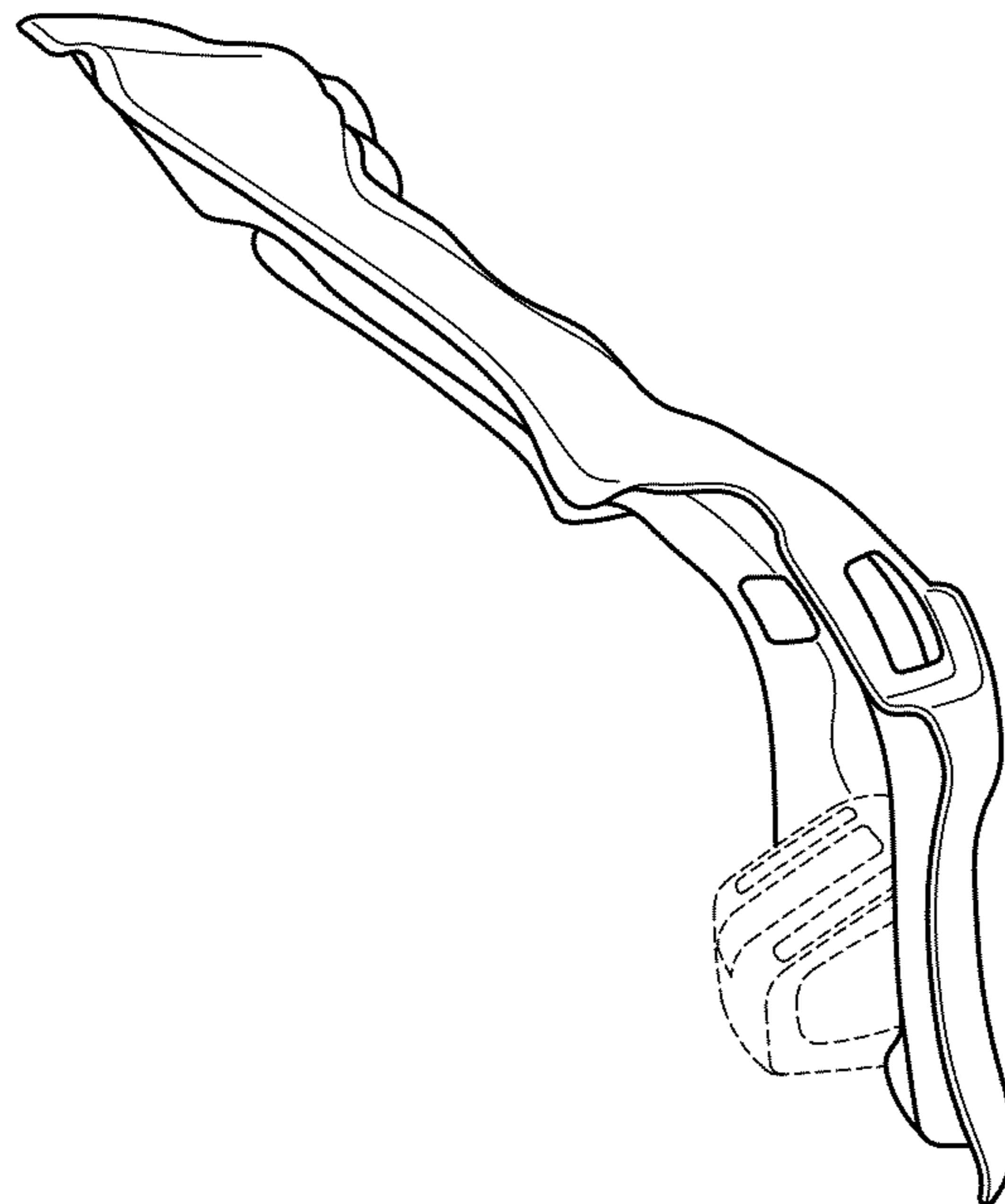


FIG. 8