



US00D718691S

(12) **United States Design Patent**  
**Hallam et al.**

(10) **Patent No.:** **US D718,691 S**  
(45) **Date of Patent:** **\*\* Dec. 2, 2014**

(54) **SIX-SIDED EXHAUST STACK**

(71) Applicants: **Walter Hallam**, Longwood, FL (US);  
**Nicholas Dvorak**, Enterprise, FL (US)

(72) Inventors: **Walter Hallam**, Longwood, FL (US);  
**Nicholas Dvorak**, Enterprise, FL (US)

(\*\*) Term: **14 Years**

(21) Appl. No.: **29/458,279**

(22) Filed: **Jun. 18, 2013**

(51) **LOC (10) Cl.** ..... **12-16**

(52) **U.S. Cl.**  
USPC ..... **D12/194**

(58) **Field of Classification Search**  
CPC .... F01N 13/082; F01N 13/085; F01N 13/087  
USPC ..... D12/194; D15/5; 293/113; 29/890.08;  
180/89.2, 296, 309; 181/247-249, 264,  
181/282, 239-241, 227, 228; 60/303, 313,  
60/323; 138/37-39, 44, 103, 109

See application file for complete search history.

(56) **References Cited**

U.S. PATENT DOCUMENTS

3,650,348	A *	3/1972	Colebrook et al.	181/215
5,078,272	A *	1/1992	Combs	206/586
5,343,698	A *	9/1994	Porter et al.	60/770
7,295,385	B2 *	11/2007	Cianciotto et al.	359/726
D665,320	S *	8/2012	Najarro	D12/194
D680,481	S *	4/2013	Hickstein	D12/194
D694,160	S *	11/2013	Chou et al.	D12/194
D709,012	S *	7/2014	Chou et al.	D12/194

\* cited by examiner

*Primary Examiner* — Michael A Pratt

(74) *Attorney, Agent, or Firm* — Jason T. Daniel, Esq.;  
Daniel Law Offices, P.A.

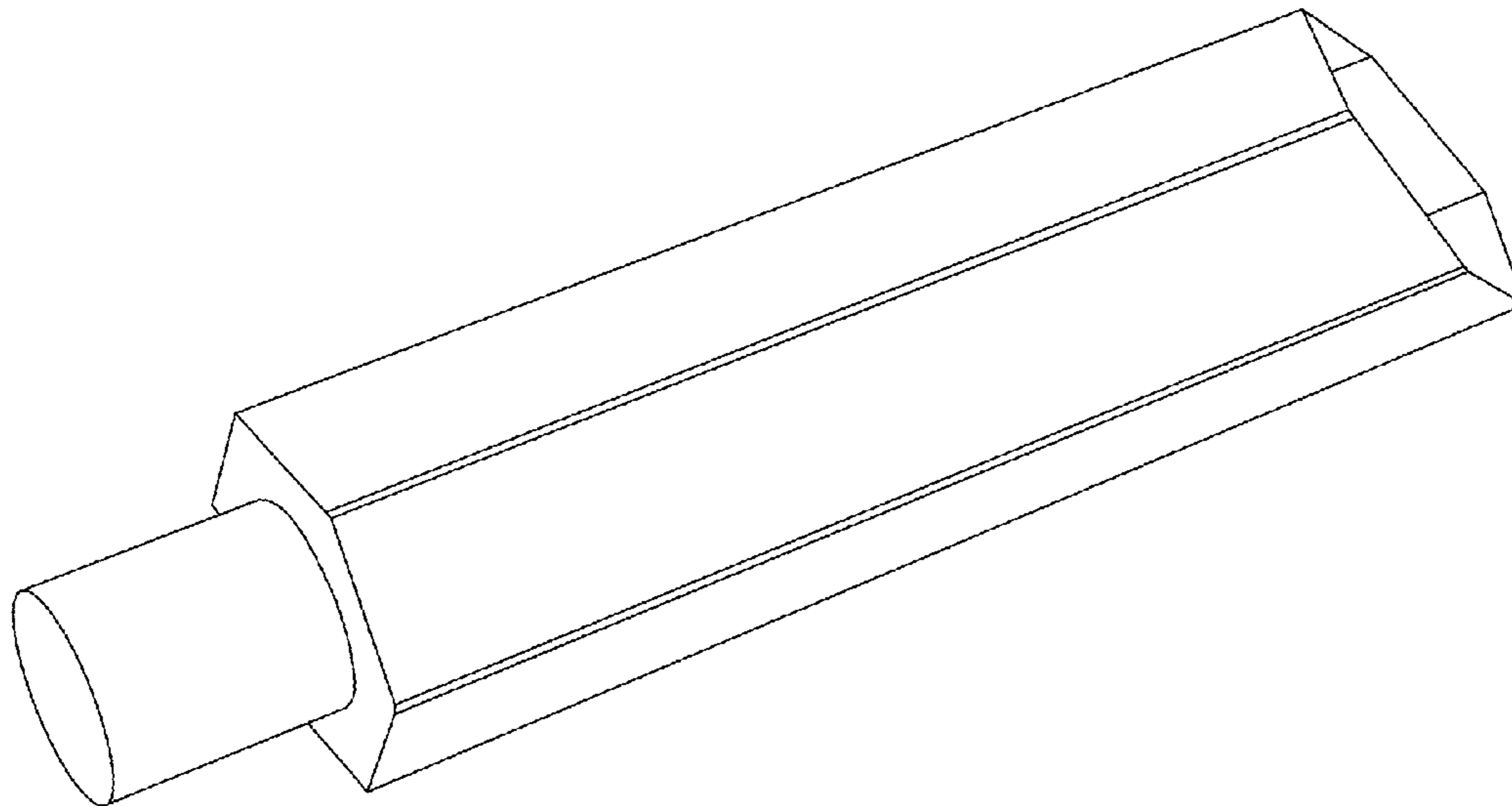
(57) **CLAIM**

The ornamental design for a six-sided exhaust stack, as shown.

**DESCRIPTION**

FIG. 1 is a perspective view thereof,  
FIG. 2 is a front side view thereof,  
FIG. 3 is a back side view thereof,  
FIG. 4 is a top side view thereof,  
FIG. 5 is a bottom side view thereof,  
FIG. 6 is a left side view thereof; and,  
FIG. 7 is a right side view thereof.

**1 Claim, 7 Drawing Sheets**



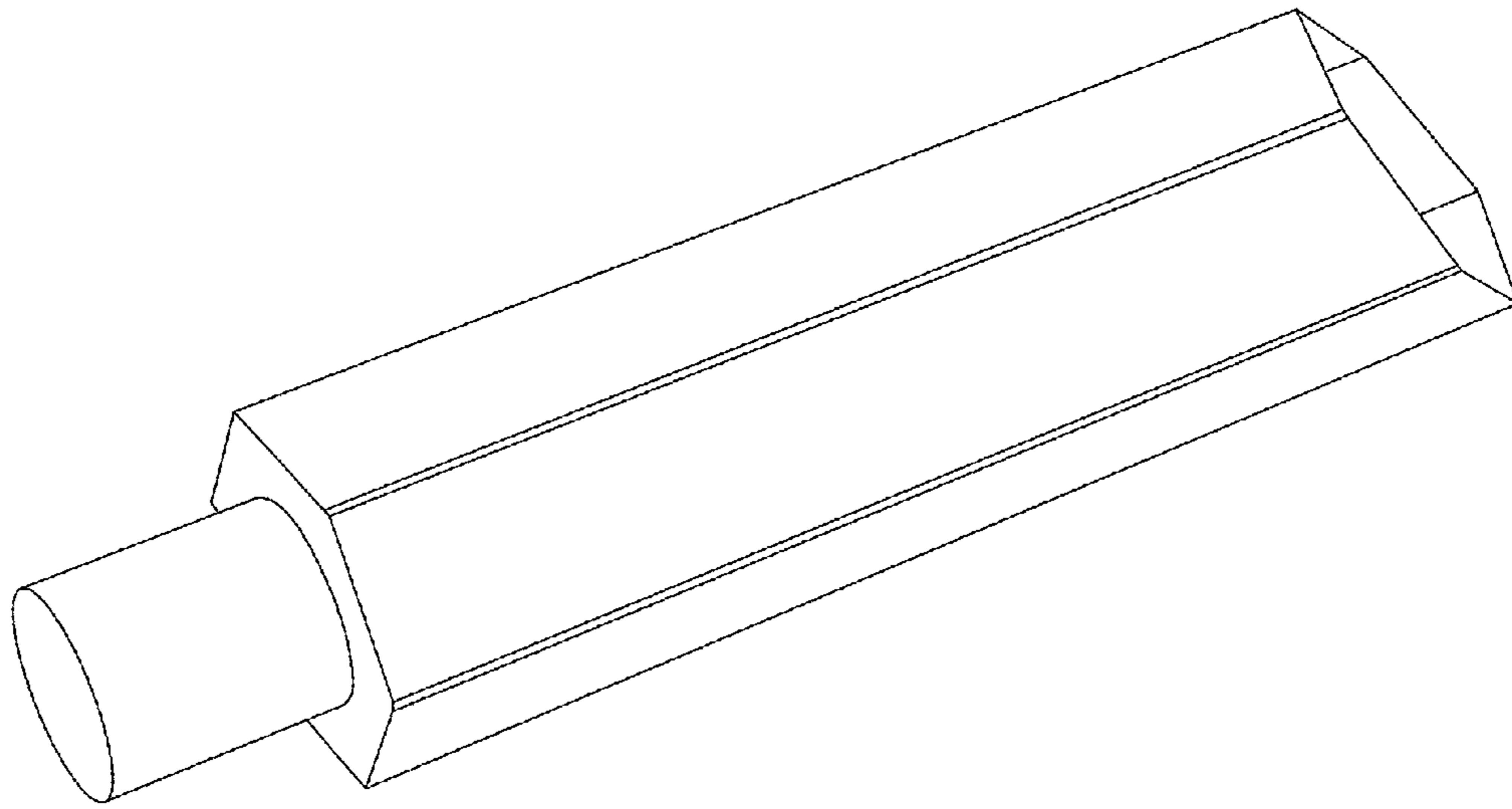


FIG. 1

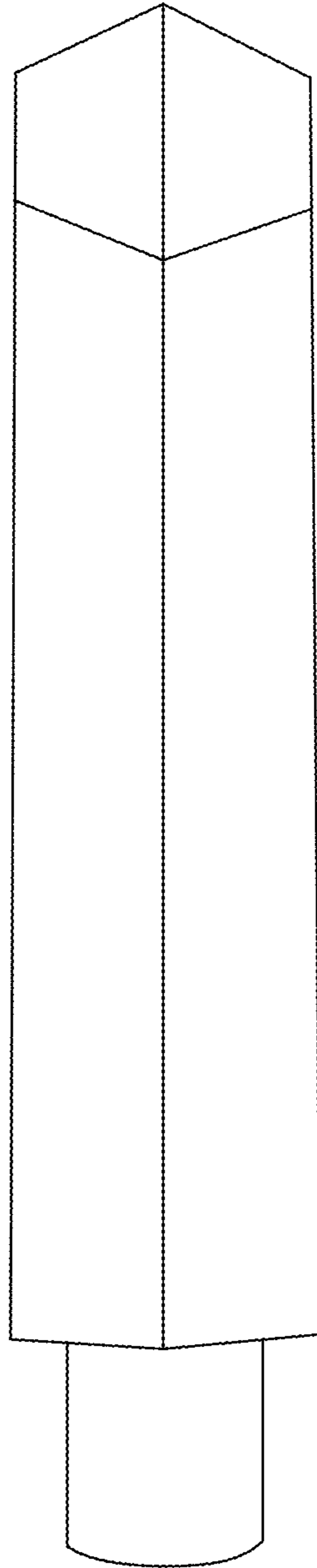


FIG. 2

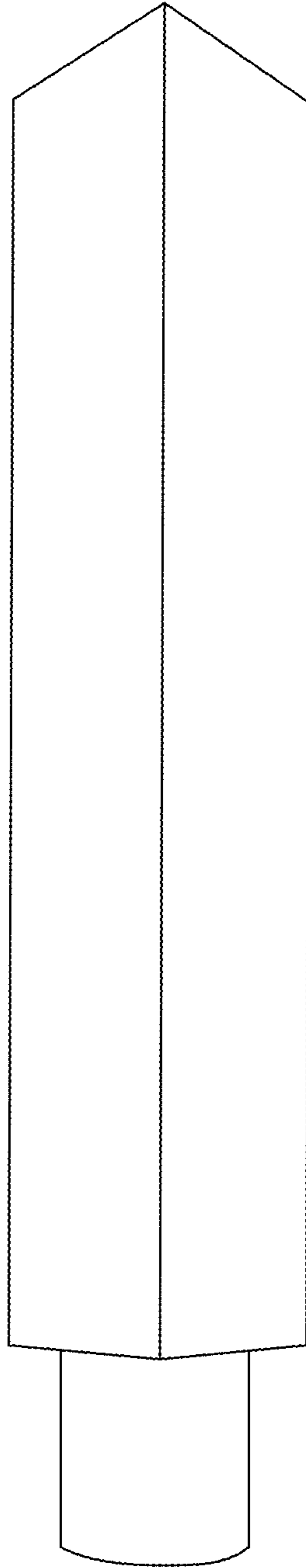


FIG. 3

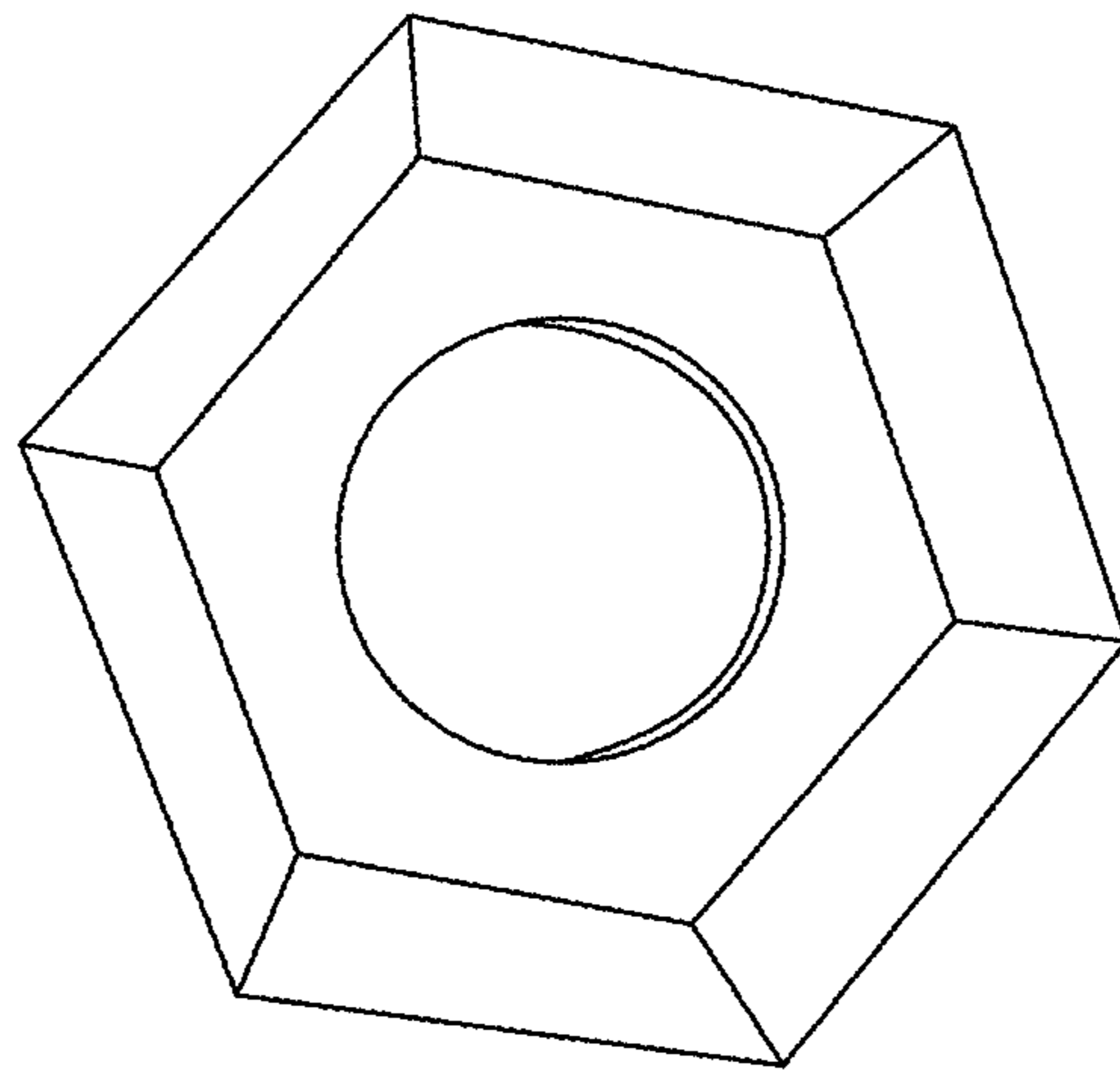


FIG. 4

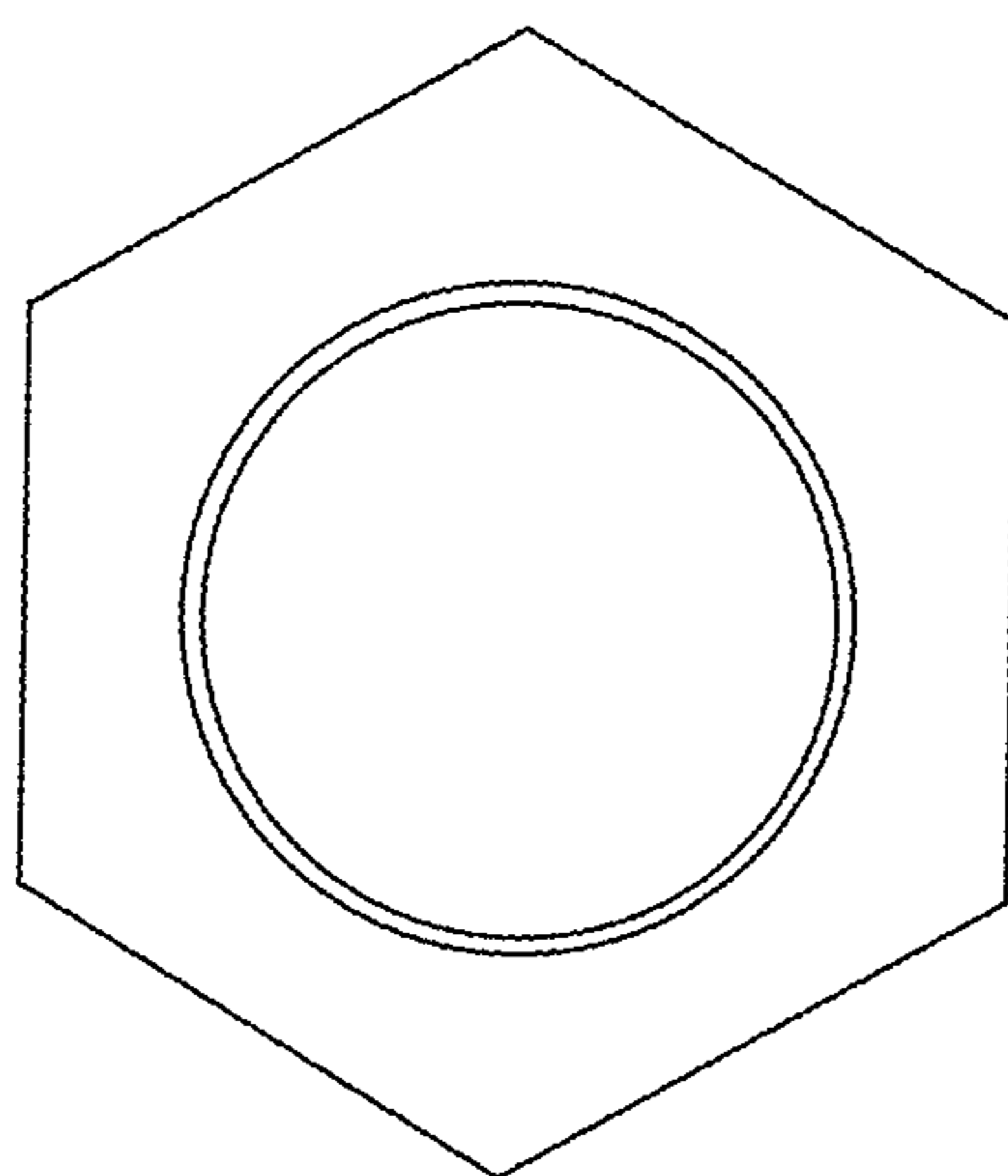


FIG. 5

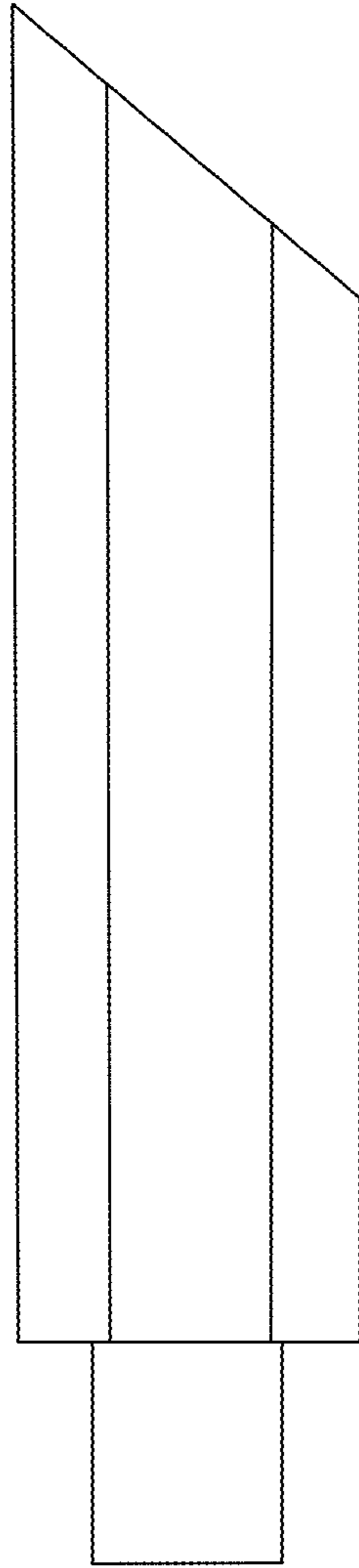


FIG. 6

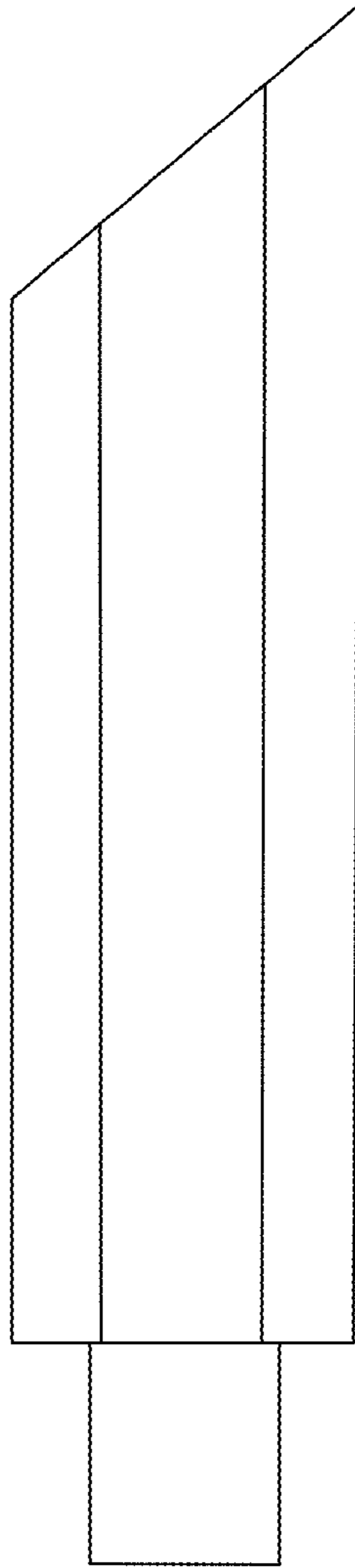


FIG. 7