



US00D718690S

(12) **United States Design Patent**
Marksteiner

(10) **Patent No.:** **US D718,690 S**

(45) **Date of Patent:** **** Dec. 2, 2014**

(54) **LICENSE PLATE FRAME AND HOLDER**

(75) Inventor: **Thomas Marksteiner**, Berg (AT)

(73) Assignee: **Evamatic Handelsgesellschaft mbH**,
Bruck/Leitha (DE)

(**) Term: **14 Years**

(21) Appl. No.: **29/426,997**

(22) Filed: **Jul. 12, 2012**

(51) **LOC (10) Cl.** **12-16**

(52) **U.S. Cl.**
USPC **D12/193**

(58) **Field of Classification Search**
CPC G06K 9/325; G09F 7/00; G09F 7/02;
B60Q 1/56; B60R 13/10; B60R 13/105
USPC D12/193; D6/300, 301, 302, 310, 311,
D6/312, 313, 314; D20/13; 40/200, 201,
40/202, 203, 204, 207–214; 348/148, 373
See application file for complete search history.

(56) **References Cited**

U.S. PATENT DOCUMENTS

| | | | | |
|--------------|------|---------|-----------------|---------|
| 2,921,395 | A * | 1/1960 | Fishman | 40/209 |
| D354,087 | S * | 1/1995 | Dunlap et al. | D12/193 |
| D367,459 | S * | 2/1996 | Spencer | D12/193 |
| D413,847 | S * | 9/1999 | Hartmann et al. | D12/193 |
| D437,816 | S * | 2/2001 | Hussaini et al. | D12/193 |
| D489,031 | S * | 4/2004 | Leibman | D12/193 |
| 2006/0010735 | A1 * | 1/2006 | Perrin | 40/209 |
| 2008/0250680 | A1 * | 10/2008 | MacNeil | 40/209 |
| 2011/0289806 | A1 * | 12/2011 | Kuo | 40/204 |
| 2014/0133935 | A1 * | 5/2014 | MacNeil et al. | 411/337 |

* cited by examiner

Primary Examiner — Deanna L Pratt

Assistant Examiner — Natasha Vujcic

(74) *Attorney, Agent, or Firm* — Laurence A. Greenberg;
Werner H. Stemer; Ralph E. Locher

(57) **CLAIM**

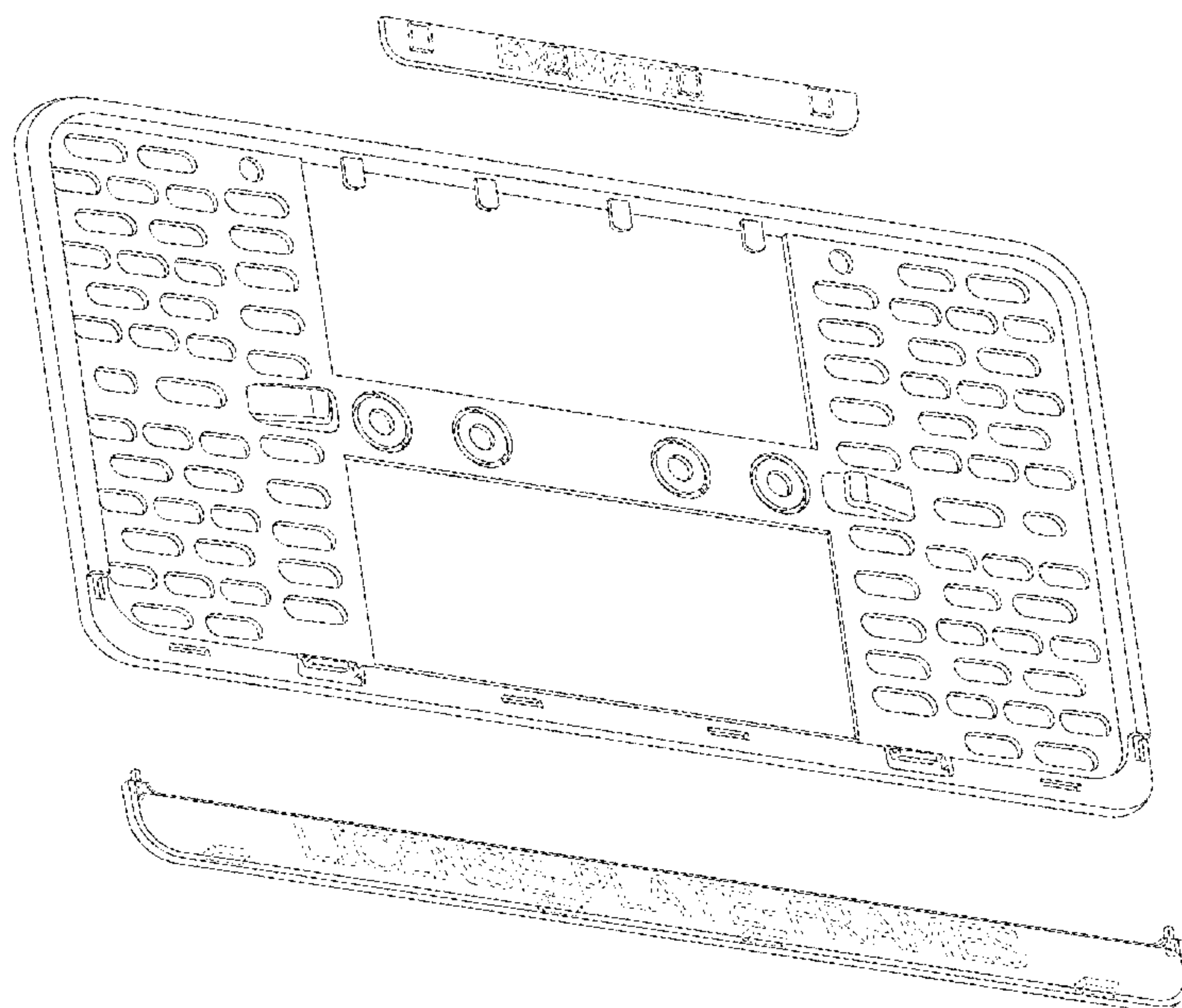
The ornamental design for a license plate frame and holder, as shown and described.

DESCRIPTION

FIG. 1 is a perspective, exploded view of the license plate frame and holder, showing my new design;
 FIG. 2 is a perspective view thereof in assembled form;
 FIG. 3 is a plan view of the device with an alternative hole pattern of the backing plate;
 FIG. 4 is a side elevation view of a long side thereof;
 FIG. 5 is a side elevation view of a short side thereof;
 FIG. 6 is a plan view of an upper cover plate and message carrier of the license plate frame and holder of embodiment 1 and 2, as shown separated for ease of illustration;
 FIG. 7 is an elevation view thereof;
 FIG. 8 is a perspective view thereof;
 FIG. 9 is a plan view of a lower snap cover plate and message carrier of the license plate frame and holder of embodiment 1 and 2, shown separated for ease of illustration;
 FIG. 10 is a perspective view thereof;
 FIG. 11 is a plan view of the device in fully assembled form and with a non-claimed license plate installed in the device of embodiment 1 and 2; and,
 FIG. 12 is a plan view of the backing plate with the alternative hole pattern of FIG. 3, of the license plate frame and holder of embodiment 1 and 2.

In the drawings, the broken lines show details that form no part of the claimed invention.

1 Claim, 8 Drawing Sheets



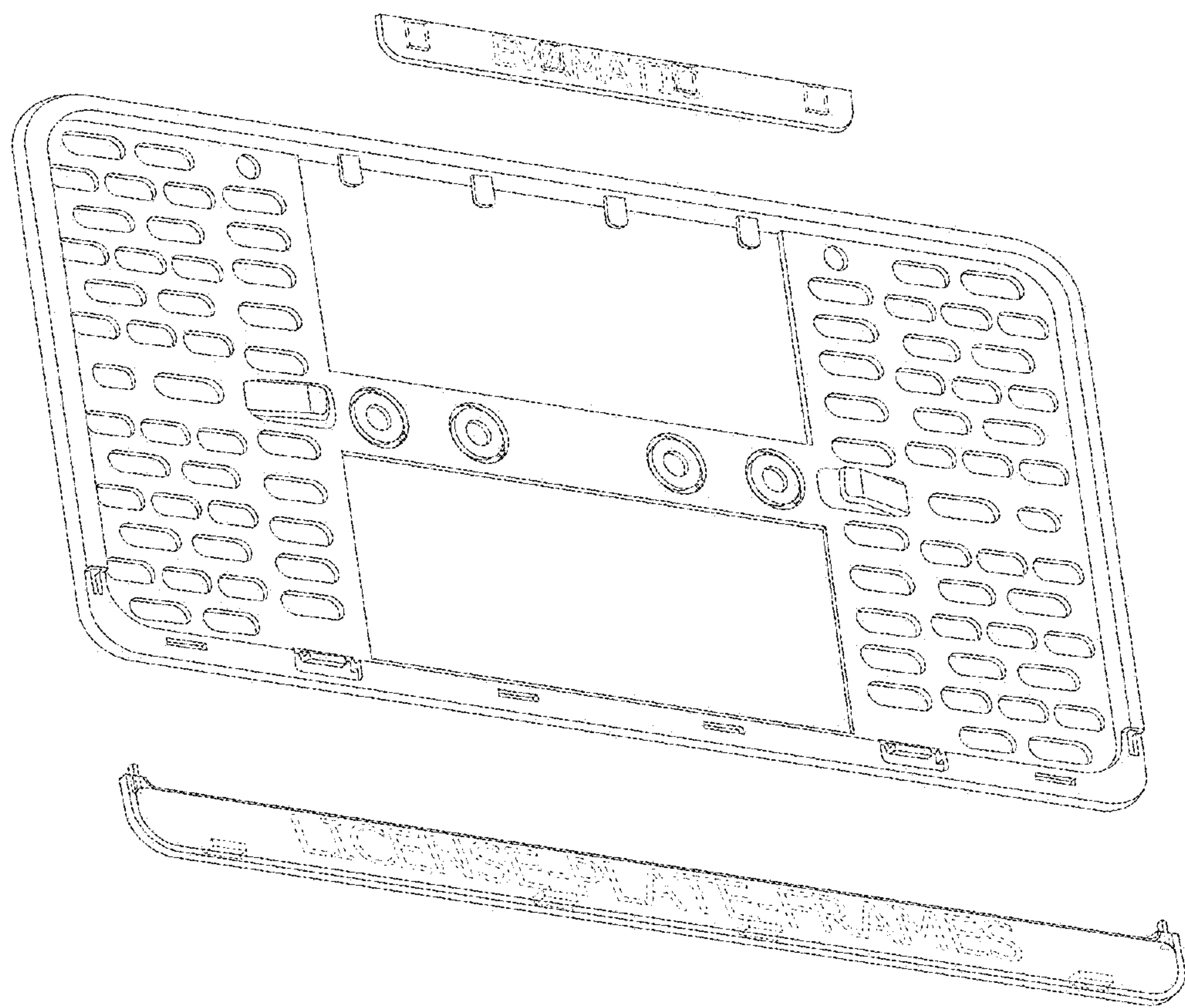


FIG. 1

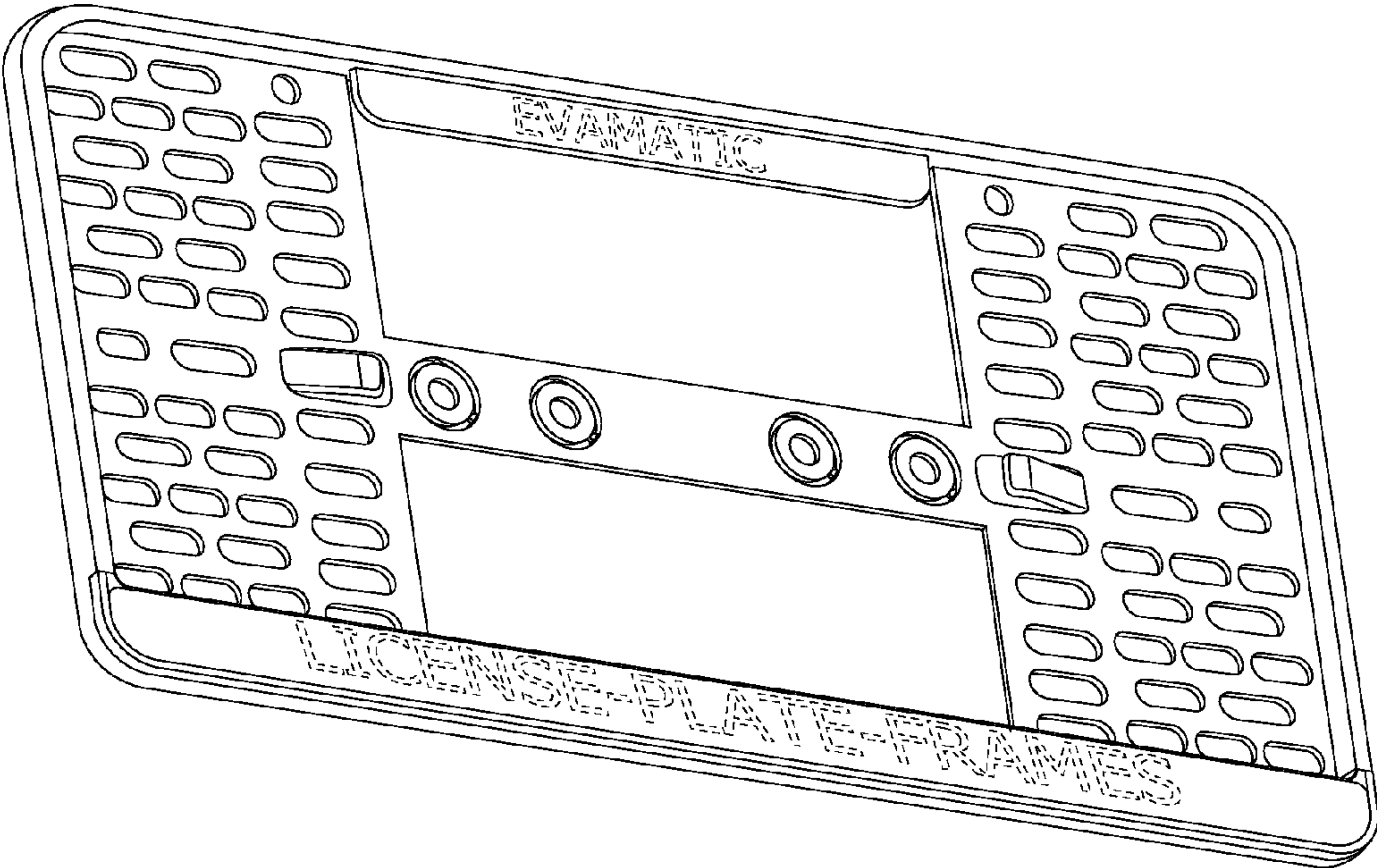


FIG. 2

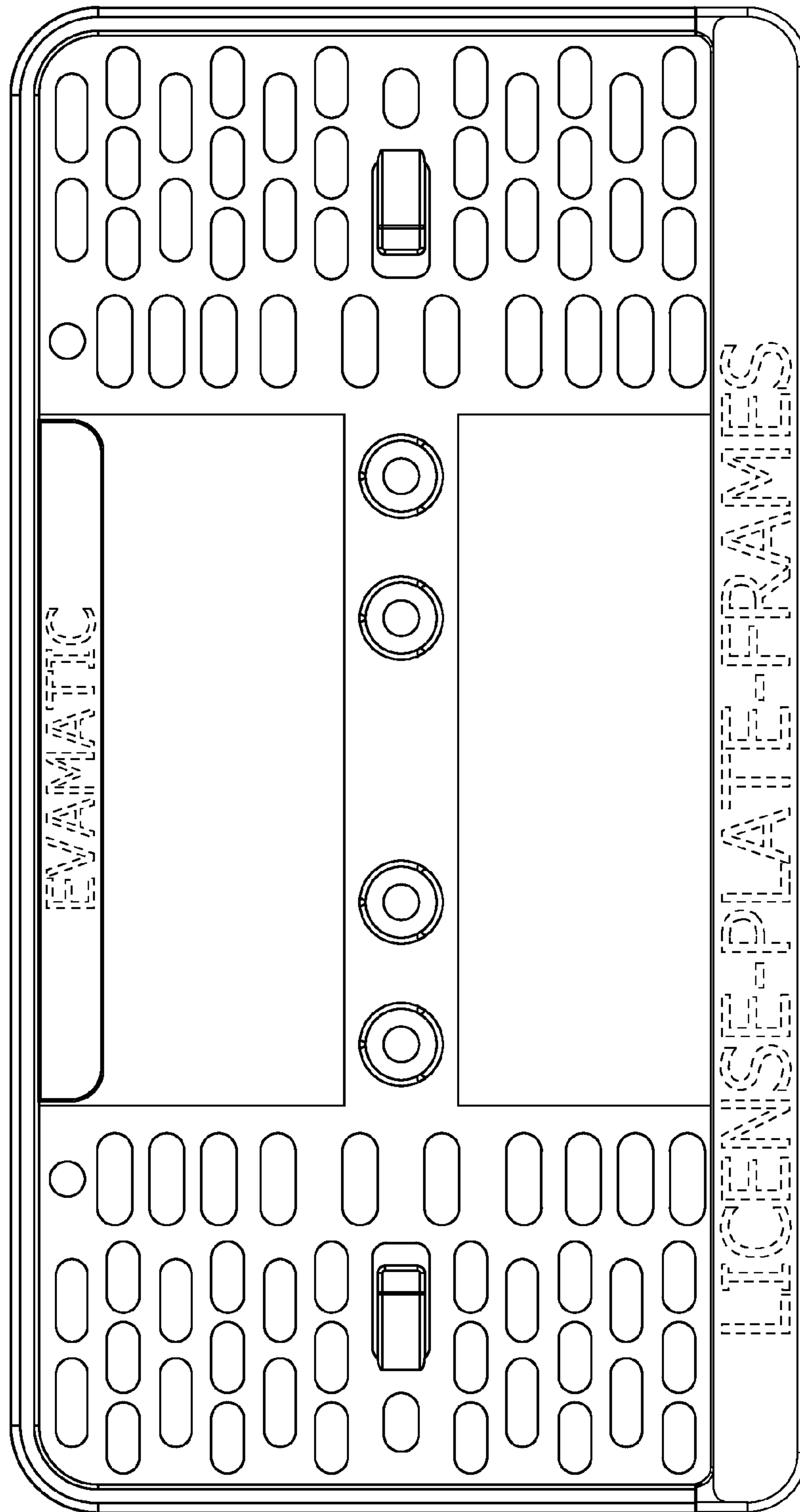


FIG. 3

FIG. 4



FIG. 5



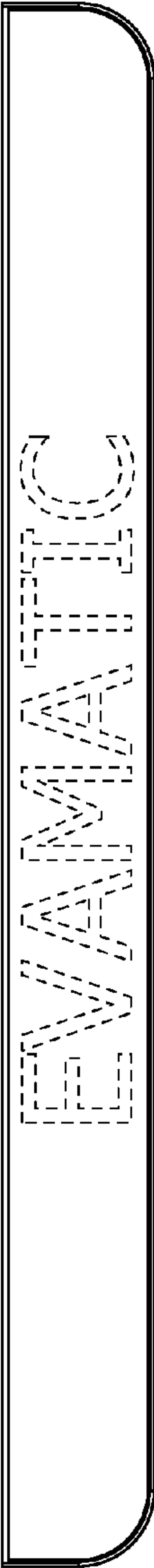


FIG. 6



FIG. 7

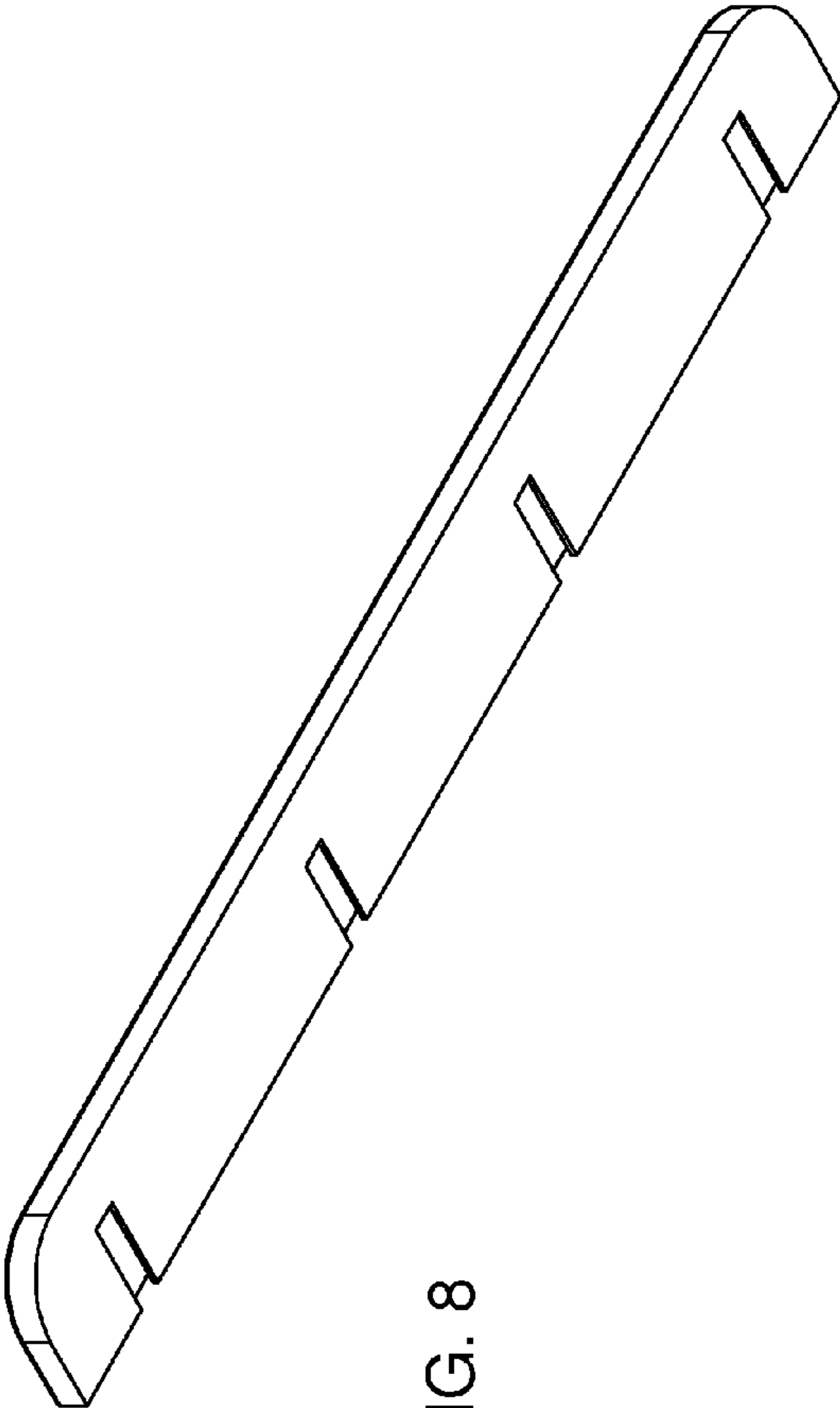


FIG. 8

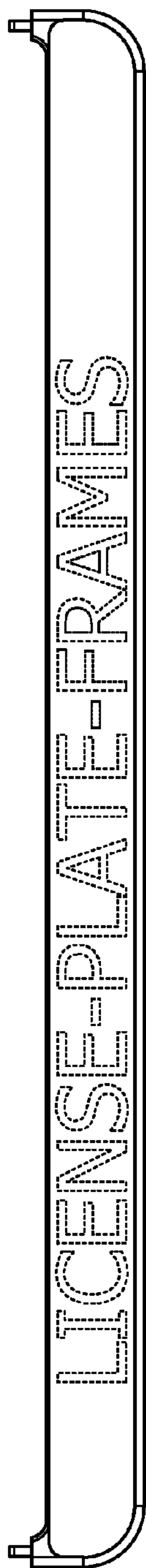


FIG. 9

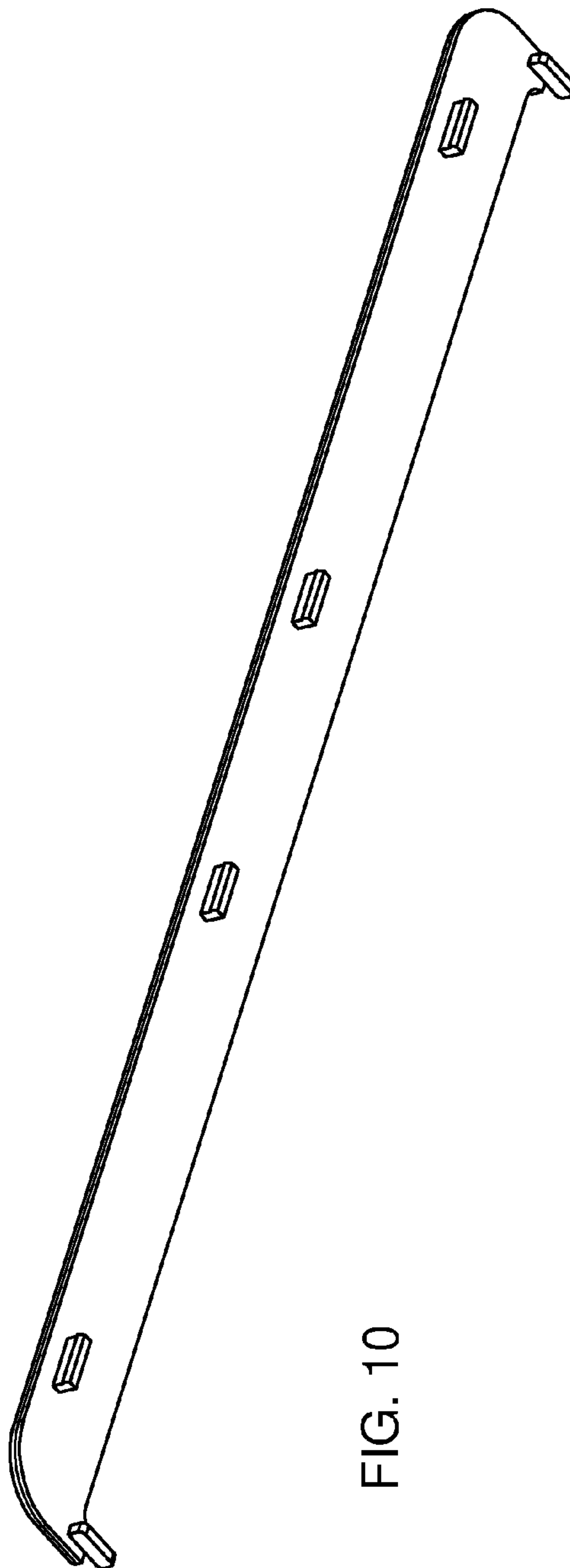


FIG. 10

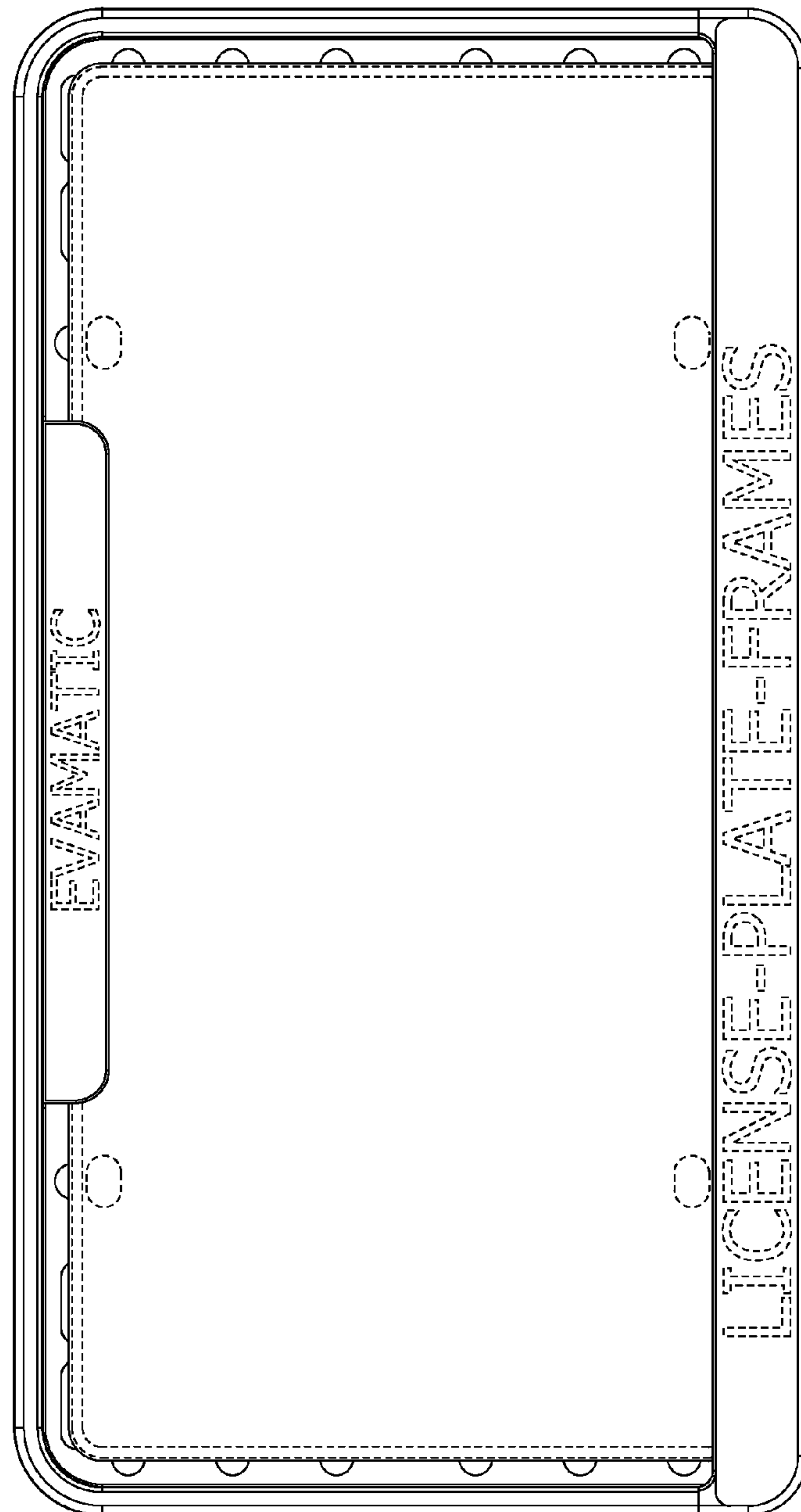


FIG. 11

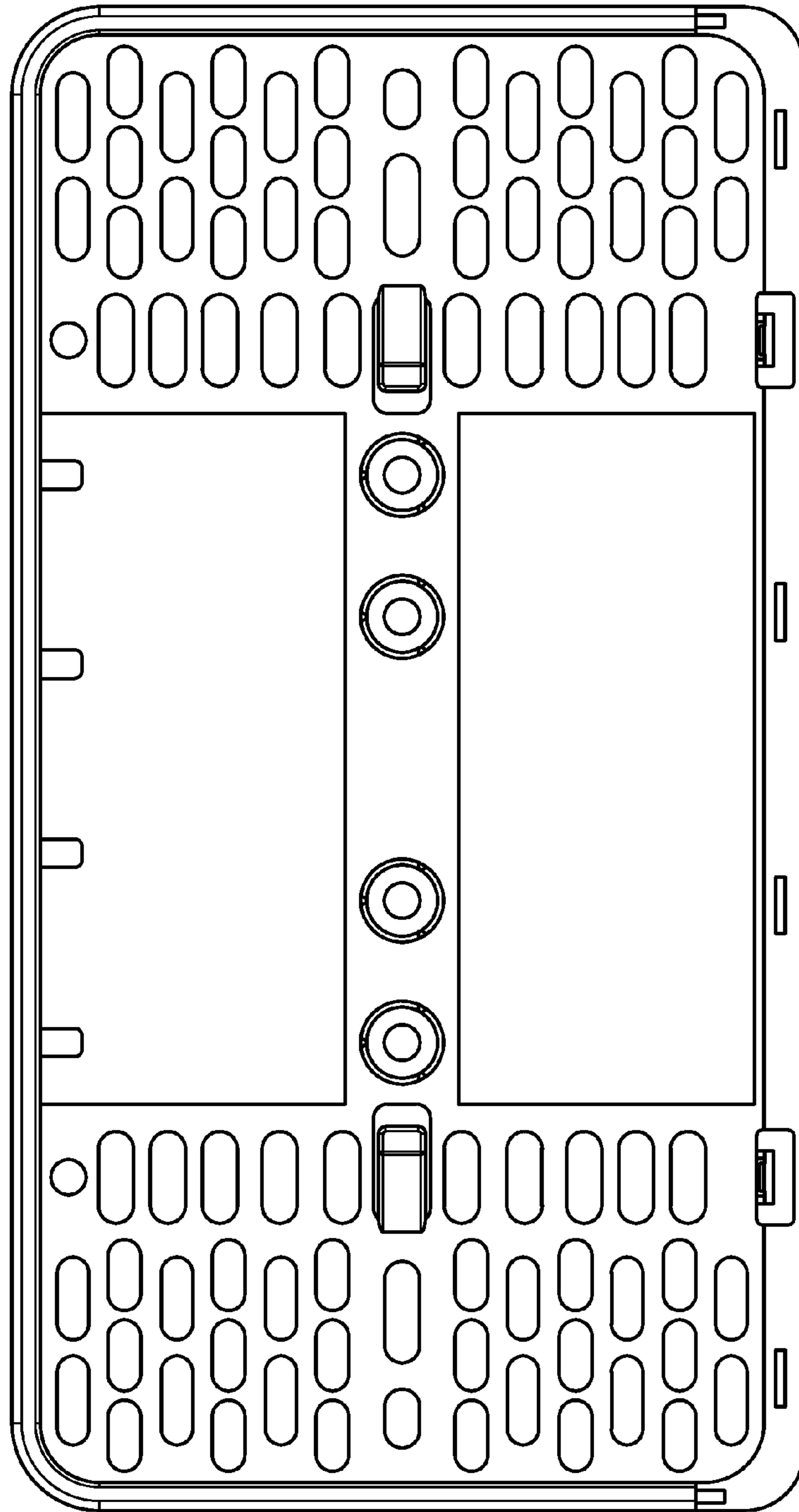


FIG. 12