



US00D718688S

(12) **United States Design Patent**
Thole et al.

(10) **Patent No.:** **US D718,688 S**

(45) **Date of Patent:** **** Dec. 2, 2014**

(54) **VEHICLE FRONT FENDER**

(71) Applicant: **GM Global Technology Operations LLC**, Detroit, MI (US)

(72) Inventors: **Louis D. Thole**, Gross Pointe Park, MI (US); **Scott P. Wassell**, Leonard, MI (US)

(73) Assignee: **GM Global Technology Operations LLC**, Detroit, MI (US)

(**) Term: **14 Years**

(21) Appl. No.: **29/466,983**

(22) Filed: **Sep. 13, 2013**

(51) **LOC (10) Cl.** **12-16**

(52) **U.S. Cl.**
USPC **D12/184**

(58) **Field of Classification Search**
USPC D12/184, 196, 90-92, 181; 280/152.1, 280/847-849, 851; 296/181.1, 181.5

See application file for complete search history.

(56) **References Cited**

U.S. PATENT DOCUMENTS

D669,405 S * 10/2012 Gifford D12/184
D679,642 S * 4/2013 Schmeckpeper D12/184
D695,172 S * 12/2013 Kavaja D12/184

* cited by examiner

Primary Examiner — Melody Brown

(74) *Attorney, Agent, or Firm* — Mickki D. Murray; Parks IP Law LLC

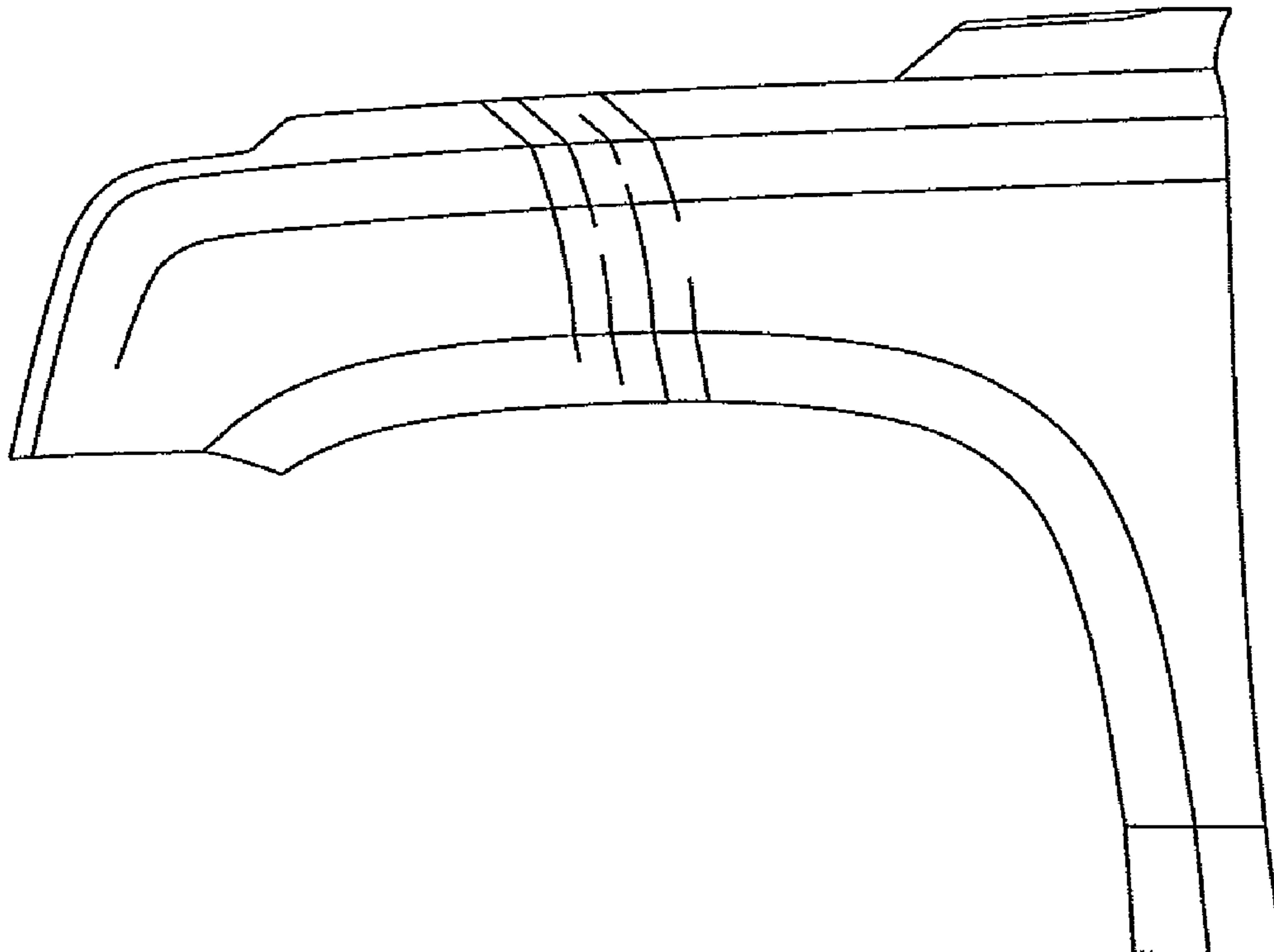
(57) **CLAIM**

The ornamental design for a vehicle front fender, as shown and described.

DESCRIPTION

FIG. 1 is perspective view of a vehicle front fender showing the new design;
FIG. 2 is a top plan view, thereof;
FIG. 3 is a front view, thereof; and,
FIG. 4 is a side view, thereof.

1 Claim, 2 Drawing Sheets



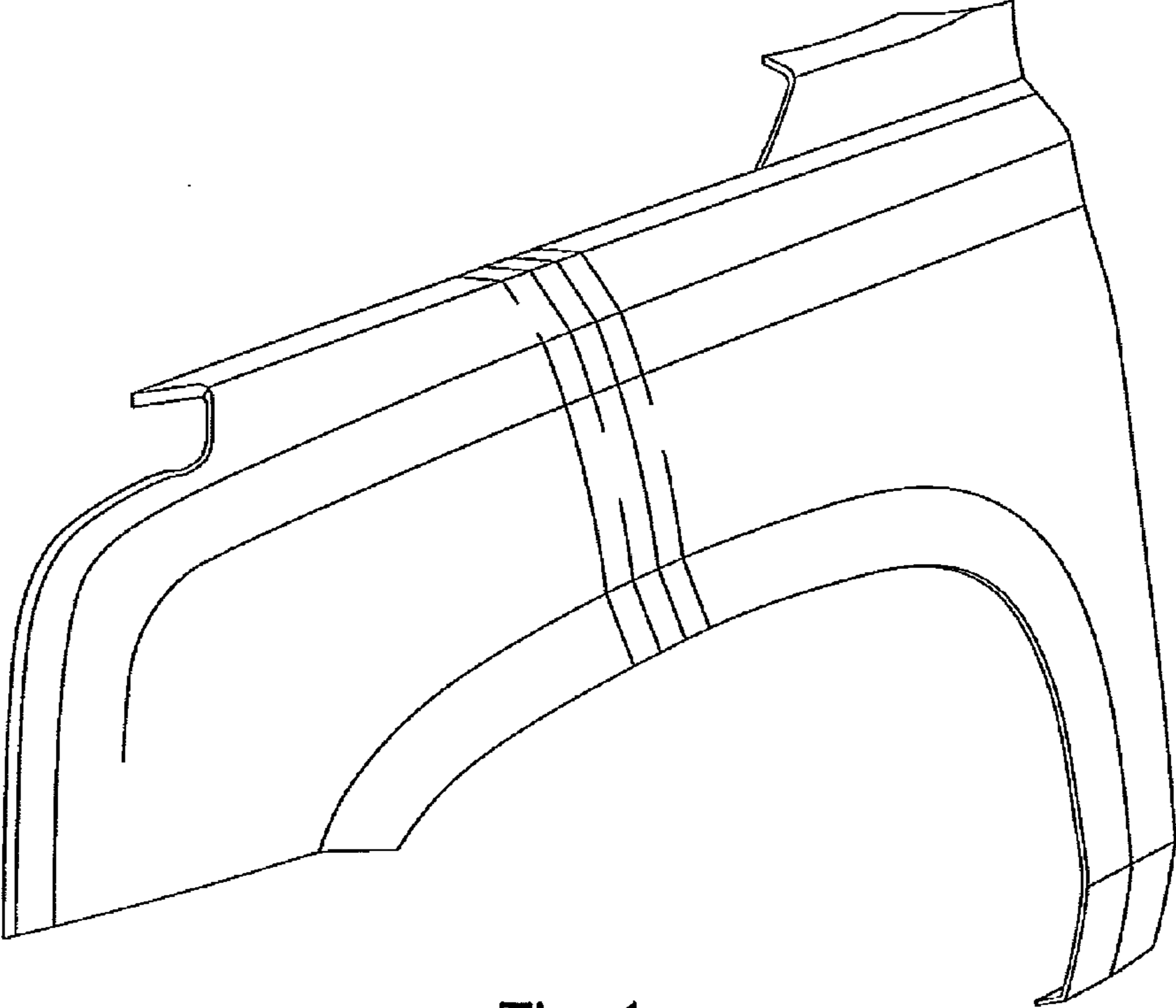


Fig-1

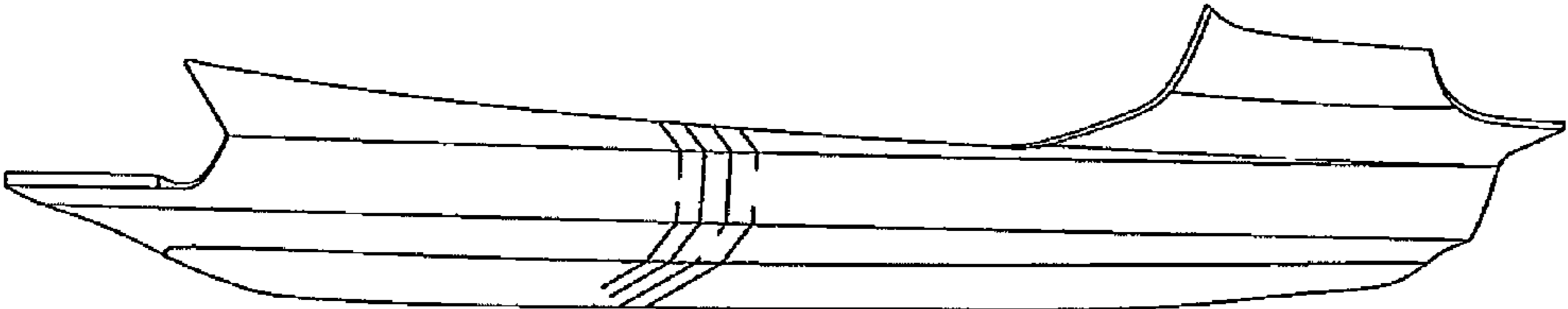


Fig-2

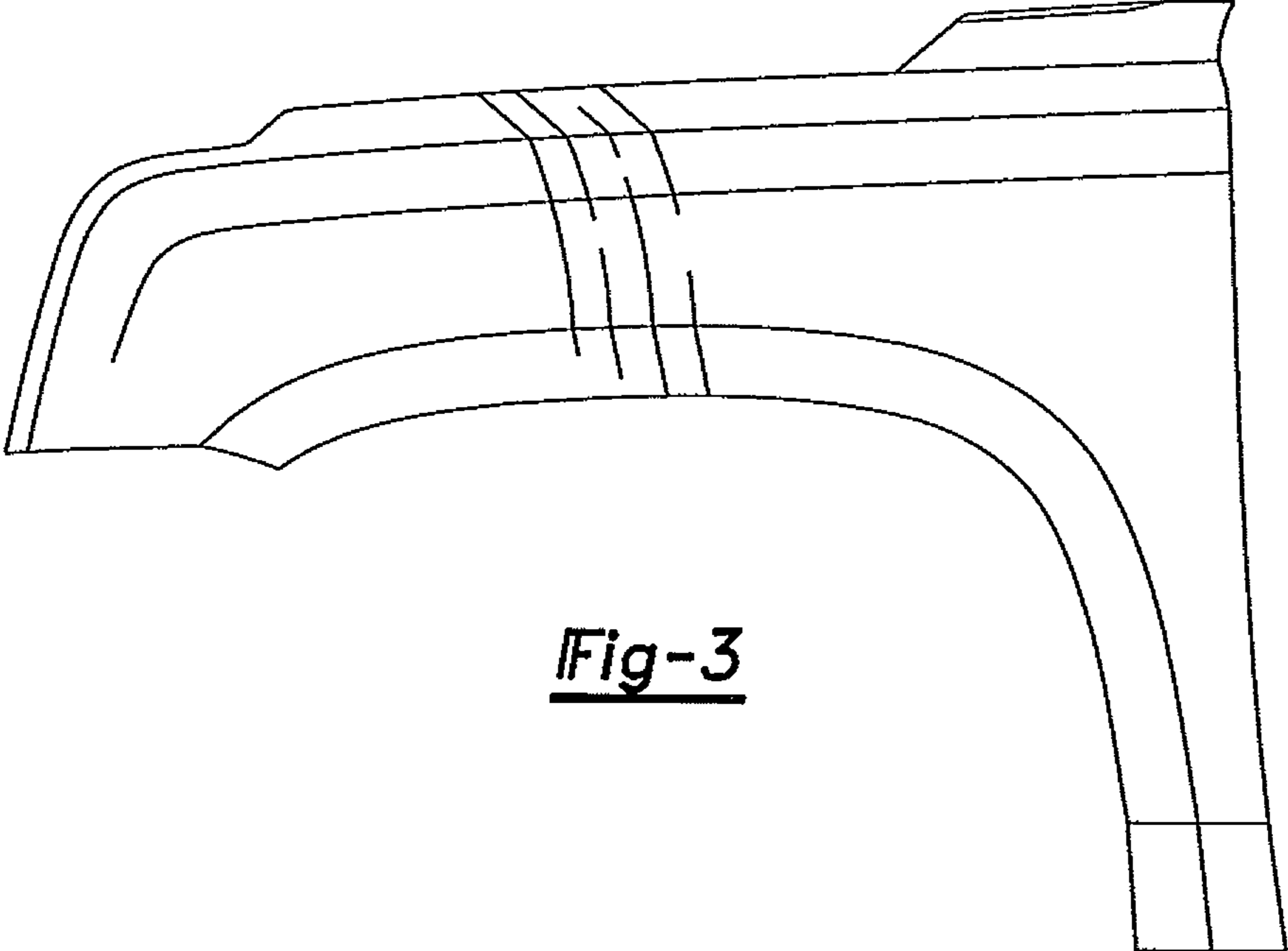


Fig-3

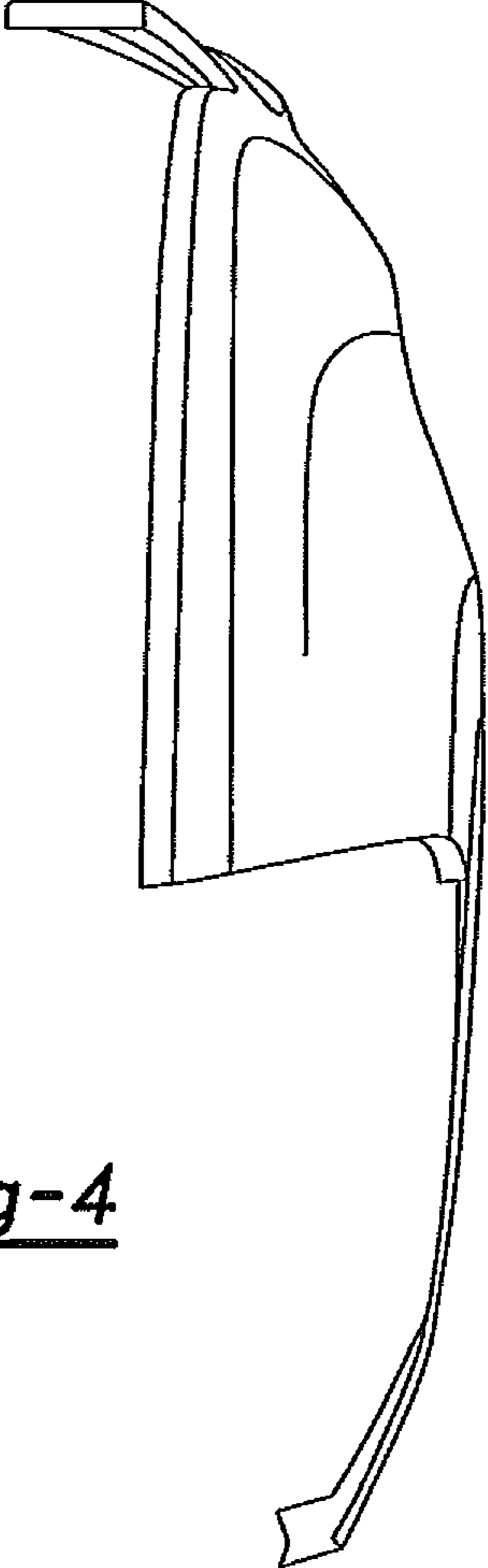


Fig-4