



US00D718685S

(12) **United States Design Patent**
Howell et al.

(10) **Patent No.:** **US D718,685 S**

(45) **Date of Patent:** **** Dec. 2, 2014**

(54) **VEHICLE HOOD**

(71) Applicants: **Gregory A Howell**, Farmington, MI (US); **Mark Allen**, Oxford, MI (US)

(72) Inventors: **Gregory A Howell**, Farmington, MI (US); **Mark Allen**, Oxford, MI (US)

(73) Assignee: **Chrysler Group LLC**, Auburn Hills, MI (US)

(**) Term: **14 Years**

(21) Appl. No.: **29/489,158**

(22) Filed: **Apr. 28, 2014**

Related U.S. Application Data

(63) Continuation-in-part of application No. 29/434,717, filed on Oct. 16, 2012, now Pat. No. Des. 703,583.

(51) **LOC (10) Cl.** **12-16**

(52) **U.S. Cl.**
USPC **D12/173**

(58) **Field of Classification Search**
USPC D12/173, 196, 86, 90-92, 181;
180/69.21, 69.2, 69.22
See application file for complete search history.

(56) **References Cited**

U.S. PATENT DOCUMENTS

- D408,329 S 4/1999 Anness et al.
- D416,519 S 11/1999 Won et al.
- D420,939 S 2/2000 Faurote et al.

- D454,813 S 3/2002 Boniface et al.
- D476,268 S 6/2003 Castiglione et al.
- D519,066 S 4/2006 Ney et al.
- D534,097 S 12/2006 Renkert et al.
- D534,458 S 1/2007 Renkert et al.
- D551,124 S 9/2007 Aneiros et al.
- D554,564 S 11/2007 Vardis et al.
- D584,203 S * 1/2009 Kawaguchi et al. D12/173
- D605,991 S * 12/2009 Williams et al. D12/173
- D650,721 S 12/2011 Galante et al.
- D693,737 S * 11/2013 Hammoud et al. D12/91
- D703,583 S 4/2014 Howell et al.

* cited by examiner

Primary Examiner — Melody Brown

(74) *Attorney, Agent, or Firm* — Ralph E Smith

(57) **CLAIM**

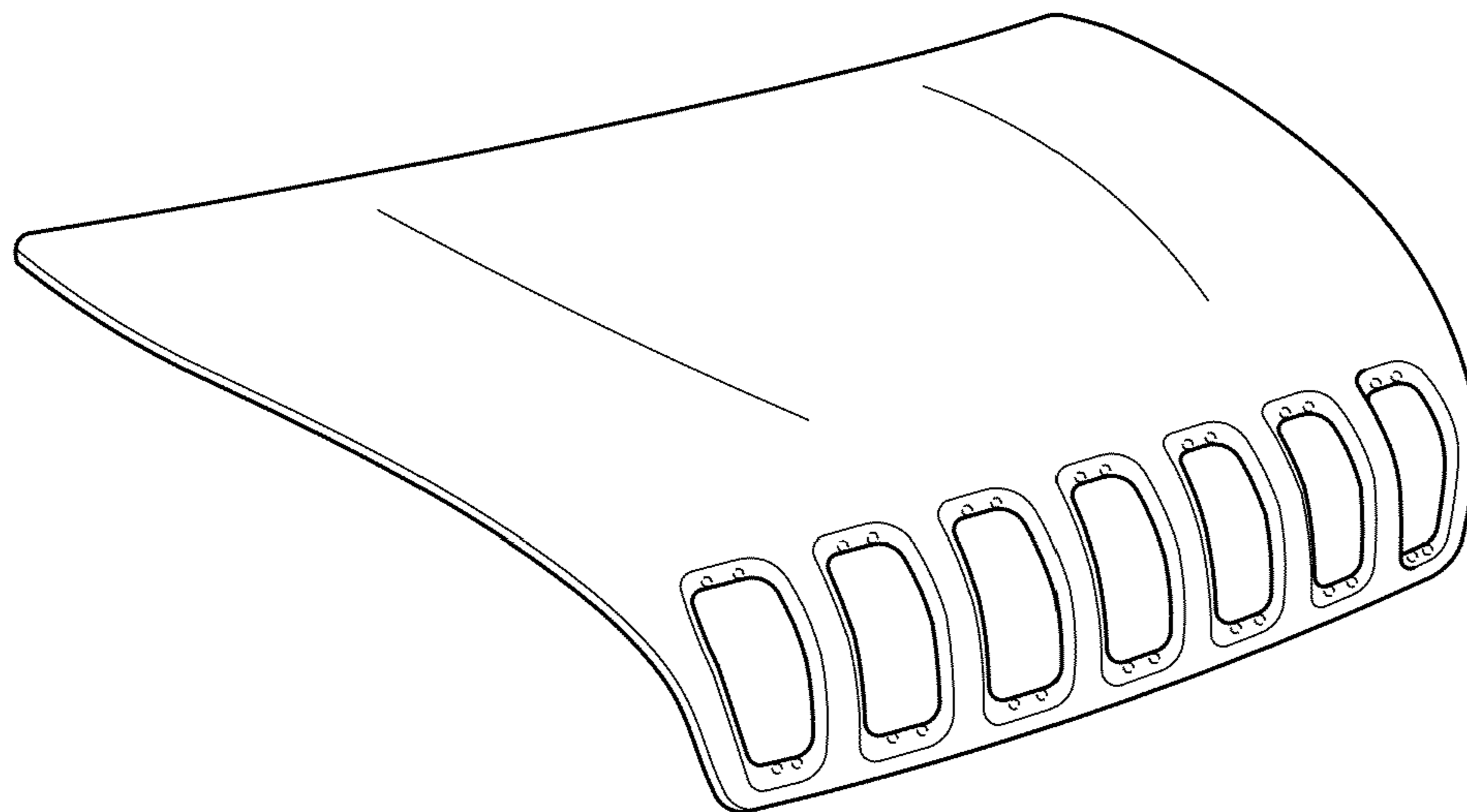
The ornamental design for a vehicle hood, as shown and described.

DESCRIPTION

FIG. 1 is a front and right side perspective view of a vehicle hood showing our new design;
 FIG. 2 is a top plan view thereof;
 FIG. 3 is a front elevational view thereof;
 FIG. 4 is a left side elevational view thereof;
 FIG. 5 is a rear elevational view thereof; and,
 FIG. 6 is a bottom plan view thereof.

It will be understood that the broken lines shown in the drawings illustrate portions of the vehicle hood that form no part of claimed design.

1 Claim, 2 Drawing Sheets



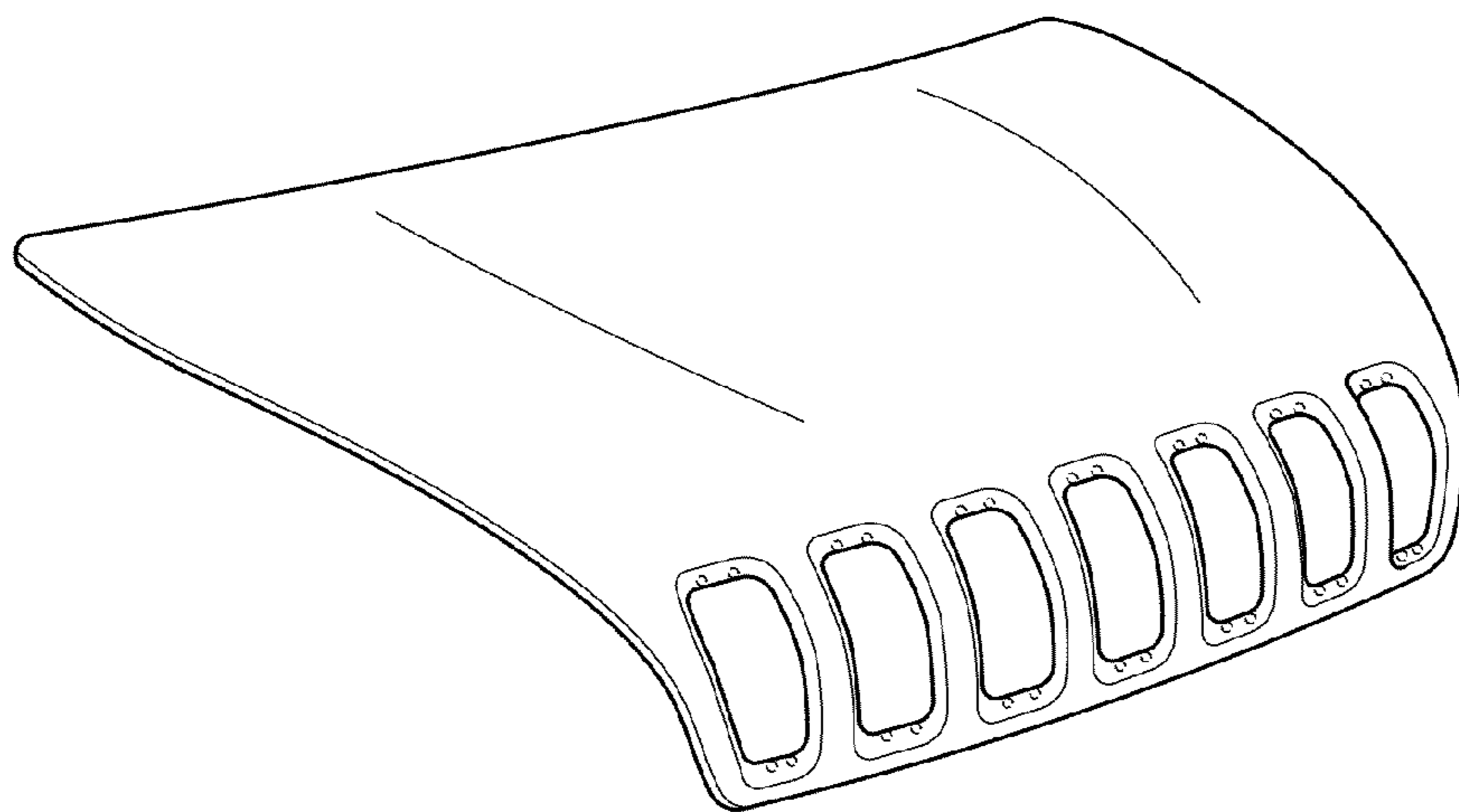


FIG. 1

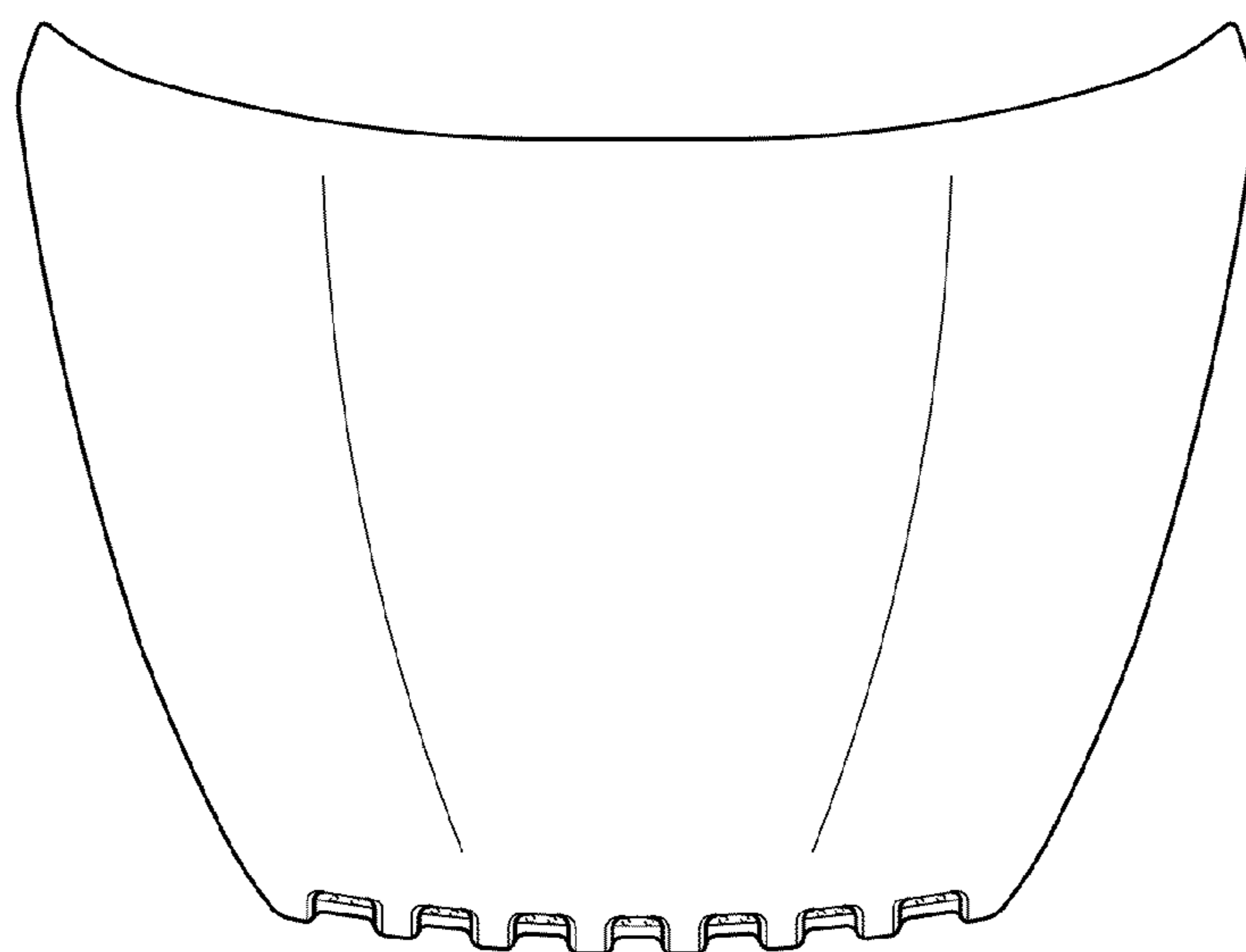


FIG. 2

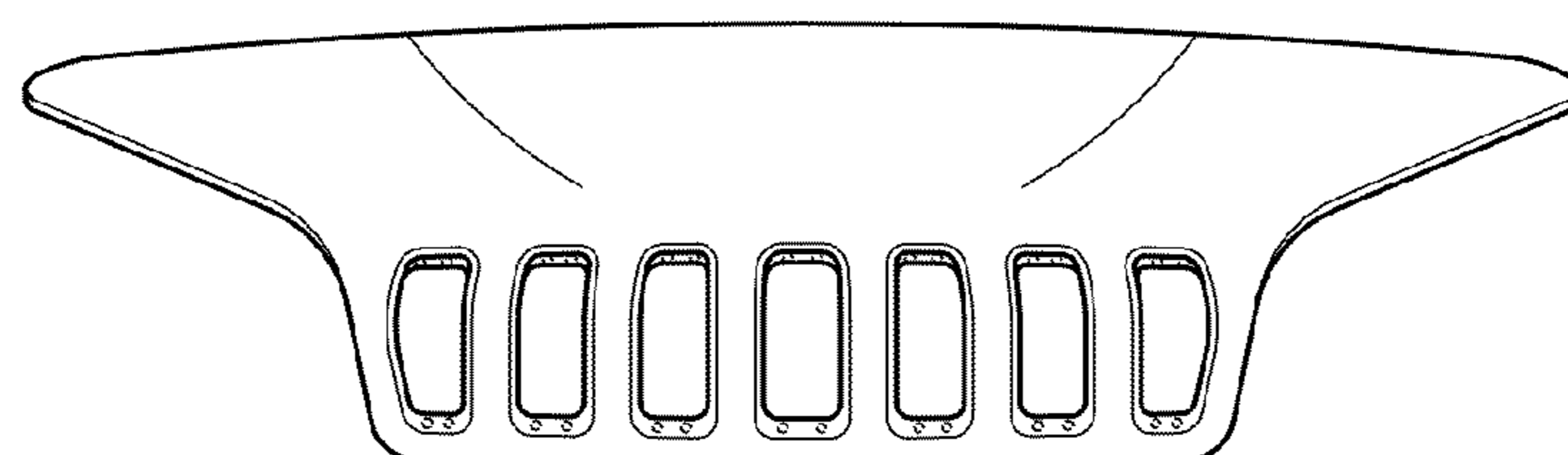


FIG. 3

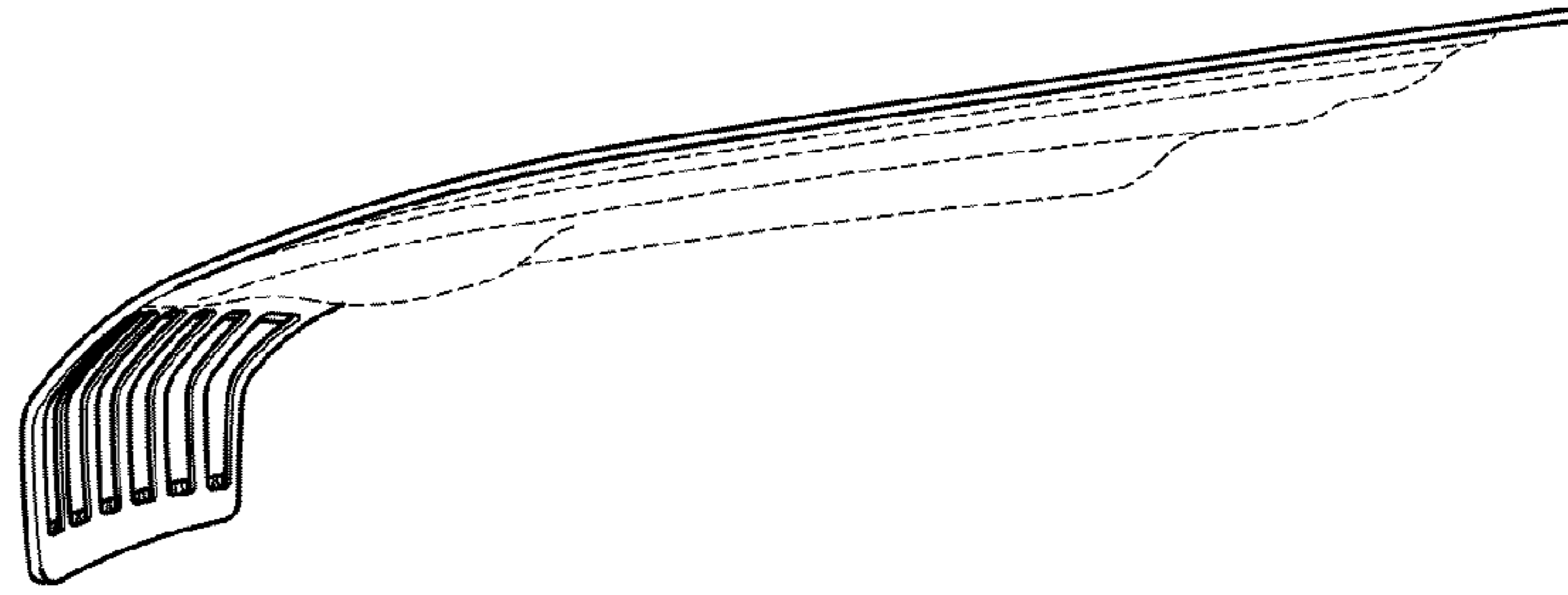


FIG. 4

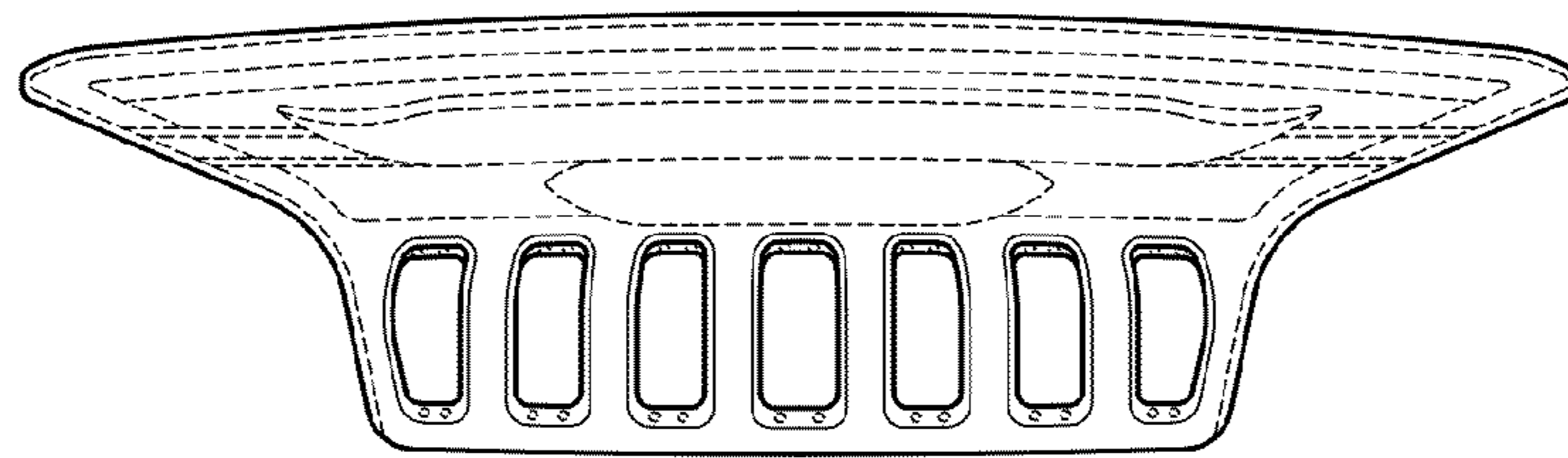


FIG. 5

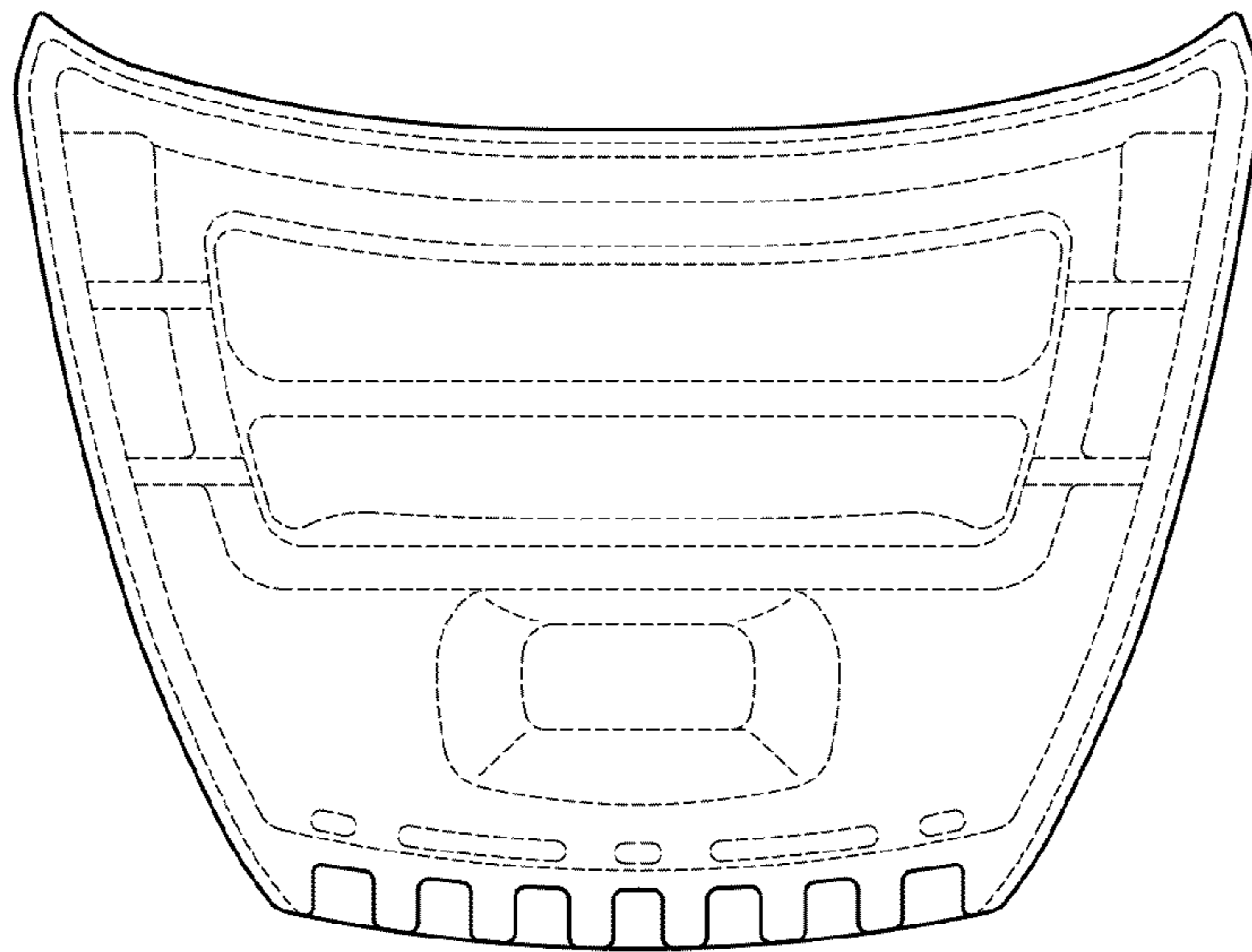


FIG. 6