



US00D718684S

(12) **United States Design Patent**  
**Thole et al.**

(10) **Patent No.:** **US D718,684 S**  
(45) **Date of Patent:** **\*\* Dec. 2, 2014**

- (54) **VEHICLE HOOD**
- (71) Applicant: **GM Global Technology Operations LLC**, Detroit, MI (US)
- (72) Inventors: **Louis D. Thole**, Gross Pointe Park, MI (US); **Scott P. Wassell**, Leonard, MI (US)
- (73) Assignee: **GM Global Technology Operations LLC**, Detroit, MI (US)
- (\*\*) Term: **14 Years**
- (21) Appl. No.: **29/466,958**
- (22) Filed: **Sep. 13, 2013**
- (51) **LOC (10) Cl.** ..... **12-16**
- (52) **U.S. Cl.**  
USPC ..... **D12/173**
- (58) **Field of Classification Search**  
USPC ..... D12/173, 196, 86, 90-92, 181;  
180/69.21, 69.2, 69.22  
See application file for complete search history.

D499,992 S *	12/2004	Chan	.....	D12/173
D512,666 S *	12/2005	Chiang	.....	D12/173
D597,454 S *	8/2009	Wagner et al.	.....	D12/173
D623,570 S *	9/2010	Hamburger	.....	D12/173
D641,669 S *	7/2011	Vardis	.....	D12/173
D645,384 S *	9/2011	Verhee et al.	.....	D12/173
D694,159 S *	11/2013	Jung	.....	D12/173
D700,550 S *	3/2014	Capristo	.....	D12/173
D706,185 S *	6/2014	Mackay	.....	D12/173
D707,595 S *	6/2014	Kavaja	.....	D12/173
D709,003 S *	7/2014	Jung	.....	D12/173

\* cited by examiner

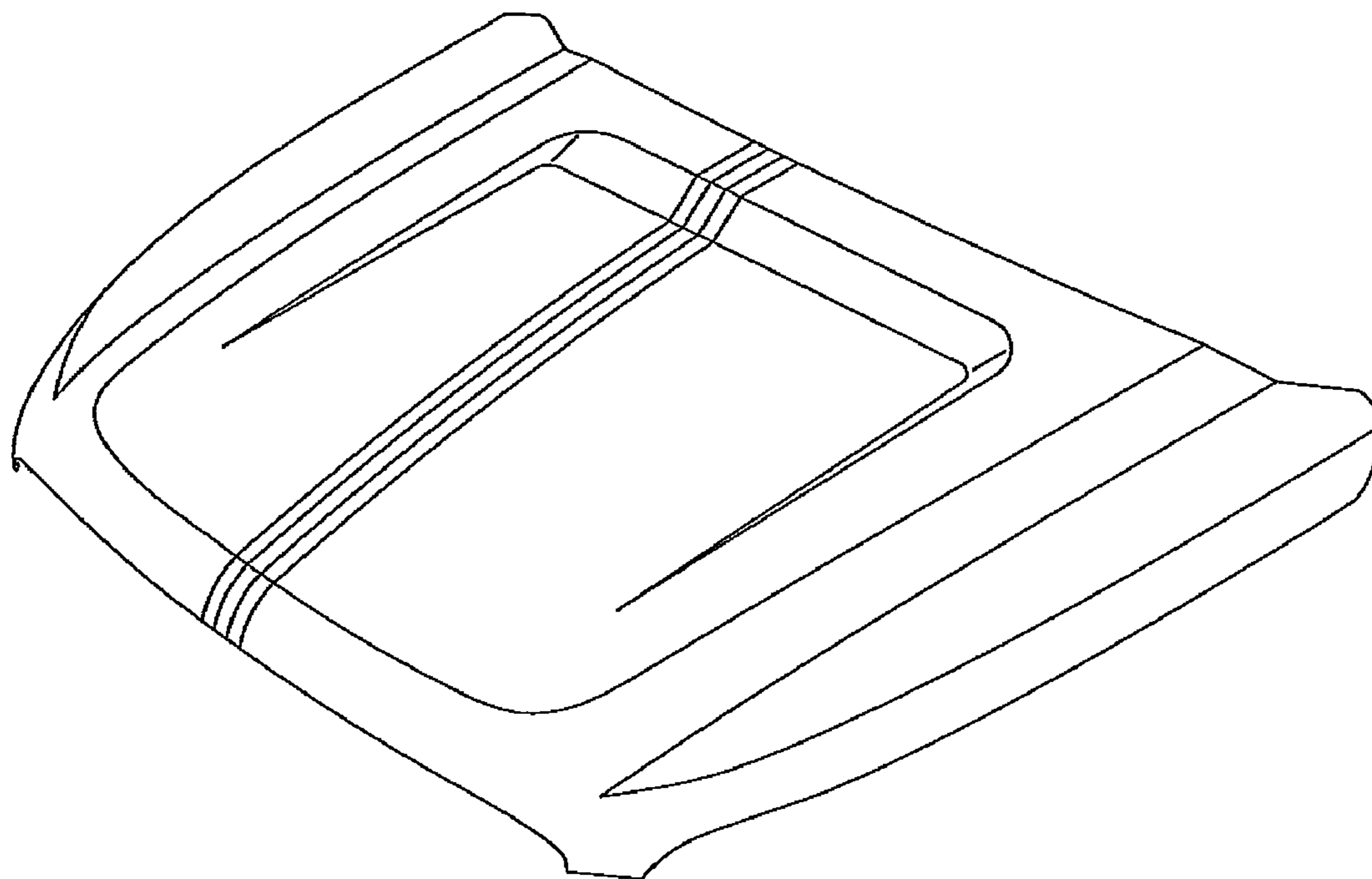
*Primary Examiner* — Melody Brown  
(74) *Attorney, Agent, or Firm* — Mickki D. Murray; Parks IP Law LLC

- (56) **References Cited**  
U.S. PATENT DOCUMENTS  
D385,242 S \* 10/1997 Grabo et al. .... D12/173  
D386,457 S \* 11/1997 Wittine ..... D12/173

(57) **CLAIM**  
The ornamental design for a vehicle hood, as shown and described.

**DESCRIPTION**  
FIG. 1 is perspective view of a vehicle hood showing the new design;  
FIG. 2 is a front view, thereof;  
FIG. 3 is a top plan view, thereof; and,  
FIG. 4 is a side view, thereof.

**1 Claim, 2 Drawing Sheets**



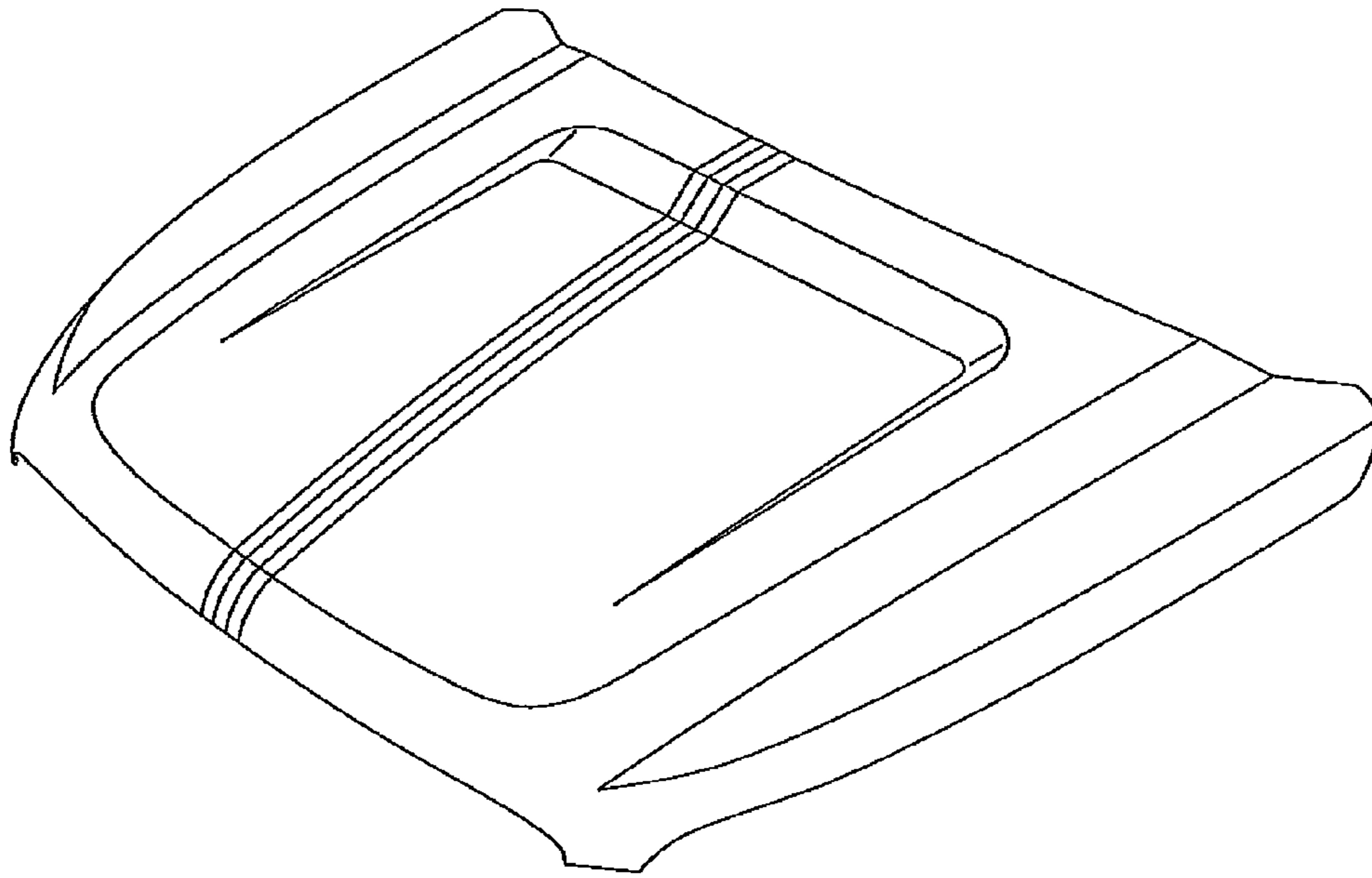


Fig-1

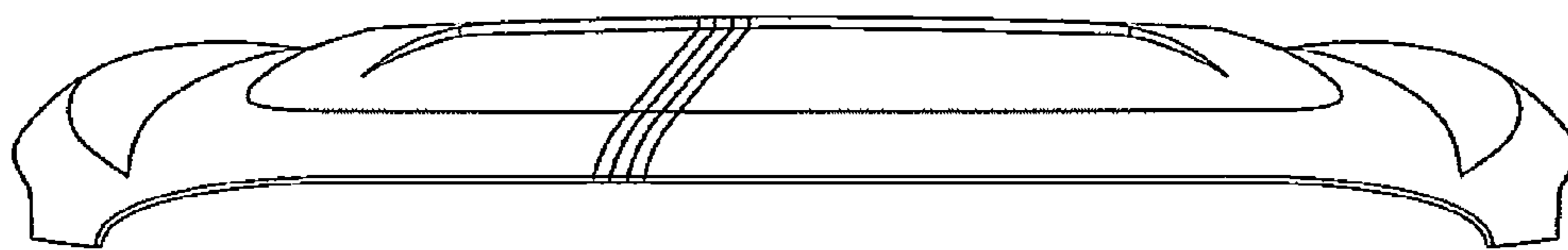


Fig-2

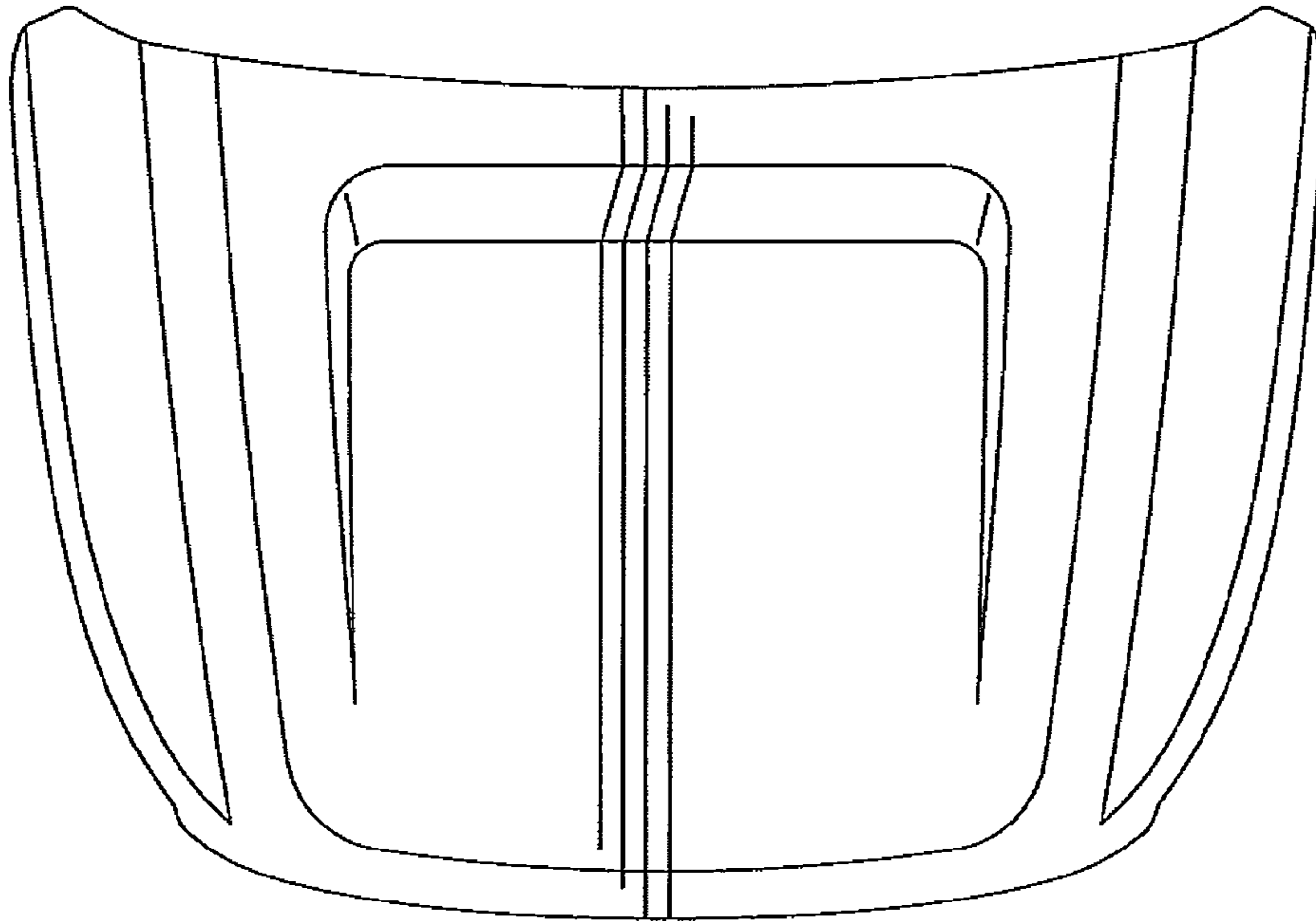


Fig-3

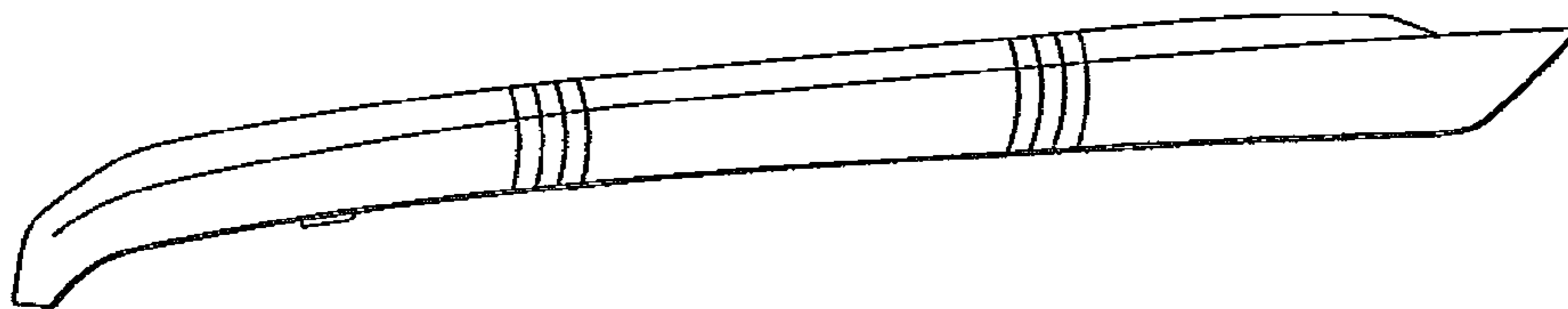


Fig-4