



US00D718683S

(12) **United States Design Patent**
Thole et al.

(10) **Patent No.:** **US D718,683 S**
(45) **Date of Patent:** **** Dec. 2, 2014**

(54) **VEHICLE HOOD**

(71) Applicant: **GM Global Technology Operations LLC**, Detroit, MI (US)
(72) Inventors: **Louis D. Thole**, Grosse Pointe Park, MI (US); **Tyler L. H. Moffett**, Detroit, MI (US); **Warrack N. Leach**, Brunswick East (AU)

(73) Assignee: **GM Global Technology Operations LLC**, Detroit, MI (US)

(**) Term: **14 Years**

(21) Appl. No.: **29/466,620**

(22) Filed: **Sep. 10, 2013**

(51) **LOC (10) Cl.** **12-16**

(52) **U.S. Cl.**
USPC **D12/173**

(58) **Field of Classification Search**
USPC D12/173, 196, 86, 90-92, 181;
180/69.21, 69.2, 69.22

See application file for complete search history.

(56) **References Cited**

U.S. PATENT DOCUMENTS

D597,454	S	*	8/2009	Wagner et al.	D12/173
D612,779	S	*	3/2010	Elliott et al.	D12/173
D655,227	S	*	3/2012	Hanson et al.	D12/173
D683,675	S	*	6/2013	Munson et al.	D12/173
8,636,396	B2	*	1/2014	Tanaka	362/496
D709,003	S	*	7/2014	Jung	D12/173
D709,004	S	*	7/2014	Jung	D12/173

* cited by examiner

Primary Examiner — Melody Brown

(74) *Attorney, Agent, or Firm* — Lionel D. Anderson; Reising Ethington P.C.

(57) **CLAIM**

The ornamental design for a vehicle hood, as shown and described.

DESCRIPTION

FIG. 1 is a perspective view of a vehicle hood taken from the front;

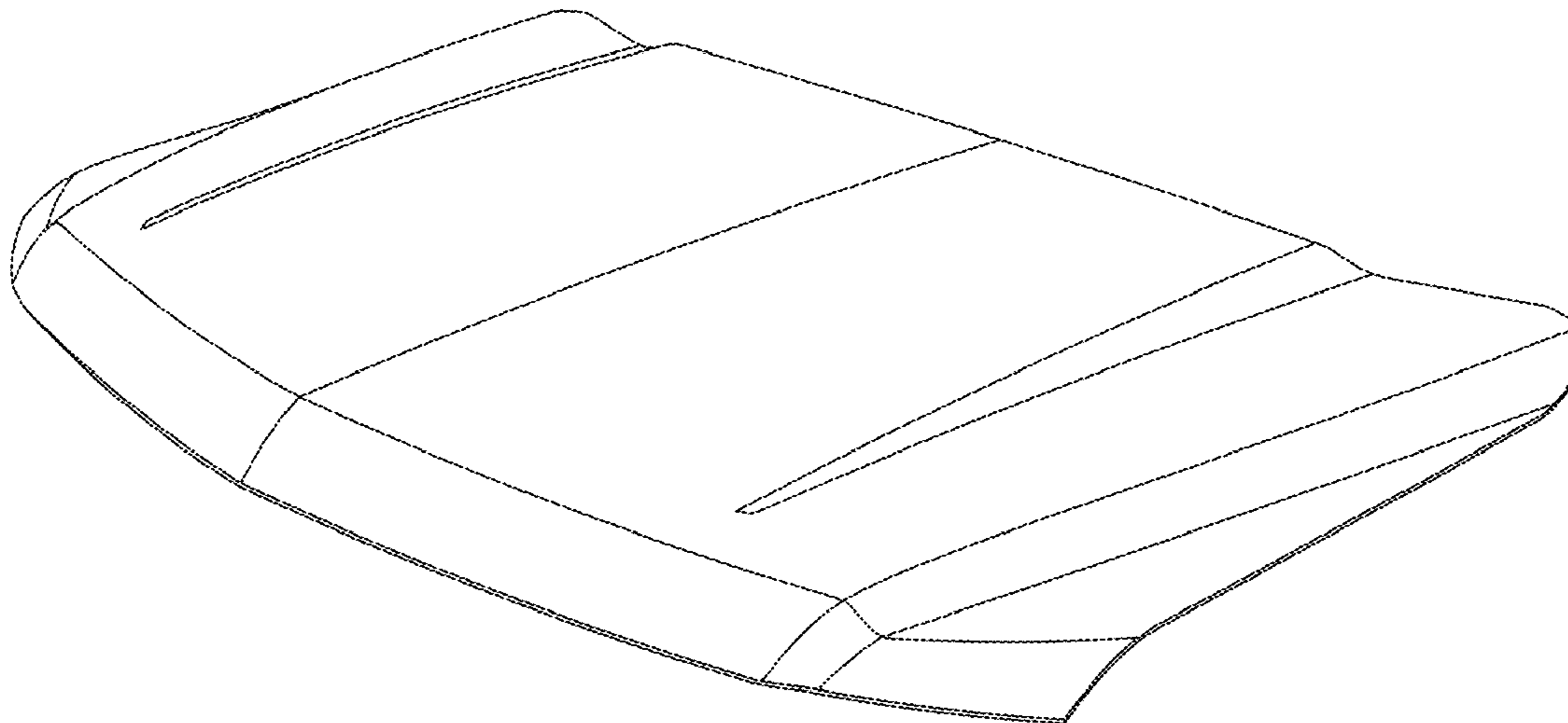
FIG. 2 is a front view of the vehicle hood;

FIG. 3 is a top view of the vehicle hood; and,

FIG. 4 is a left side view of the vehicle hood.

The right side view of the vehicle hood is omitted because the right side view is identical to the left side view.

1 Claim, 2 Drawing Sheets



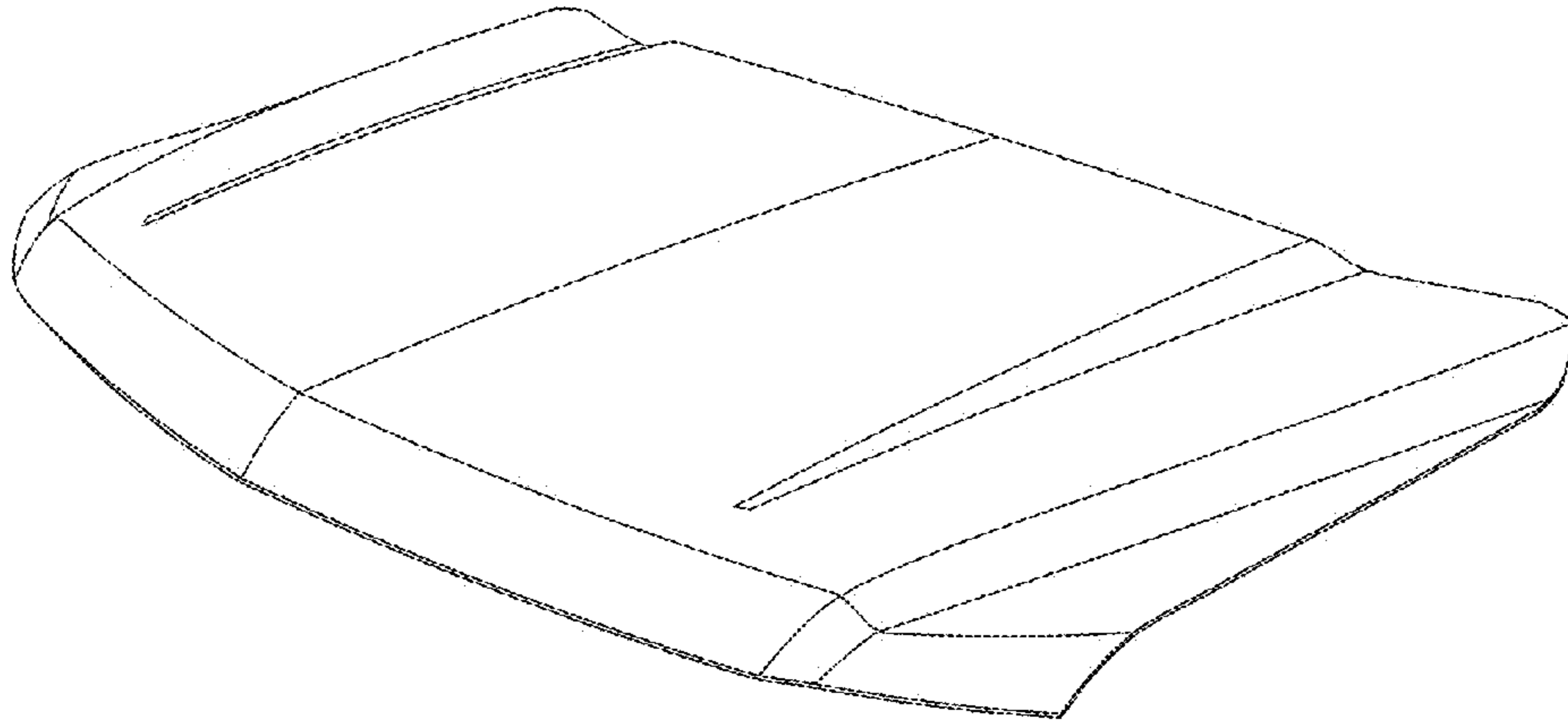


Fig-1

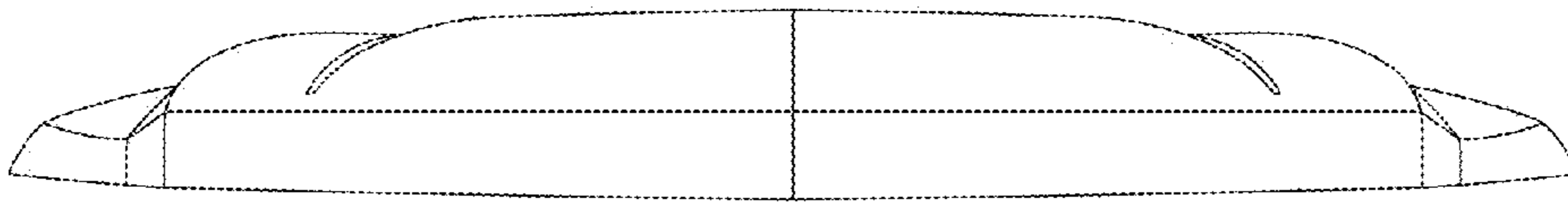


Fig-2

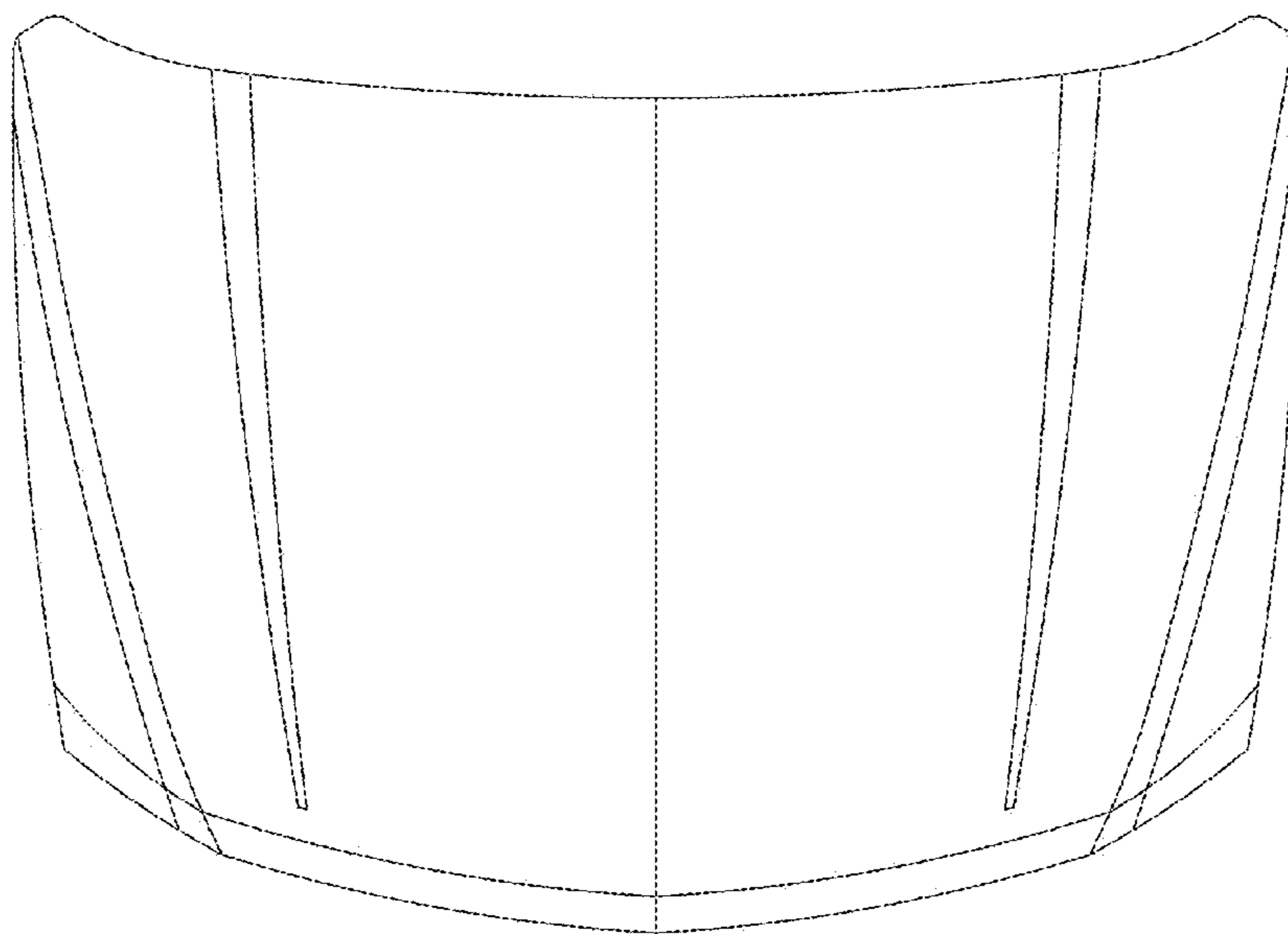


Fig-3

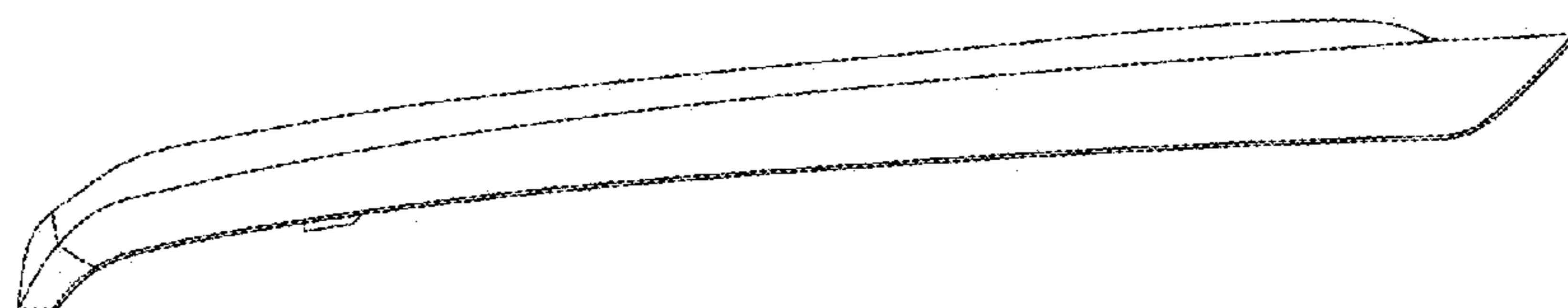


Fig-4