



US00D718676S

(12) **United States Design Patent**
Ishizuka et al.

(10) **Patent No.:** **US D718,676 S**
(45) **Date of Patent:** **** Dec. 2, 2014**

(54) **FRONT BUMPER FOR AUTOMOBILE**
(71) Applicant: **Nissan Motor Co., Ltd.**, Kanagawa (JP)
(72) Inventors: **Kouichi Ishizuka**, Kanagawa (JP);
Yoshihiro Okada, Kanagawa (JP);
Seonwook Whang, Kanagawa (JP)

D671,870 S * 12/2012 Yanase D12/169
D675,139 S * 1/2013 Yamamoto et al. D12/169
D682,168 S 5/2013 Fuchigami
D682,169 S 5/2013 Choi
D698,710 S * 2/2014 Endo et al. D12/169
D699,166 S * 2/2014 Abe et al. D12/169

(73) Assignee: **Nissan Motor Co., Ltd.**, Yokohama (JP)
(**) Term: **14 Years**

FOREIGN PATENT DOCUMENTS

JP D1268984 S 4/2007
JP D1346802 S 12/2008
JP D1346830 S 12/2008
JP D1390476 S 6/2010

(21) Appl. No.: **29/451,124**

* cited by examiner

(22) Filed: **Mar. 28, 2013**

Primary Examiner — Melody N. Brown

(30) **Foreign Application Priority Data**

(74) *Attorney, Agent, or Firm* — Global IP Counselors, LLP

Sep. 28, 2012 (JP) 2012-023850

(51) **LOC (10) Cl.** **12-16**

(52) **U.S. Cl.**
USPC **D12/169**

(58) **Field of Classification Search**
USPC D12/169, 216, 90–92, 86, 171, 196,
D12/163; 293/102, 113, 115, 117, 120;
296/180.1, 180.2

See application file for complete search history.

(57) **CLAIM**

The ornamental design for a front bumper for an automobile, as shown and described.

(56) **References Cited**

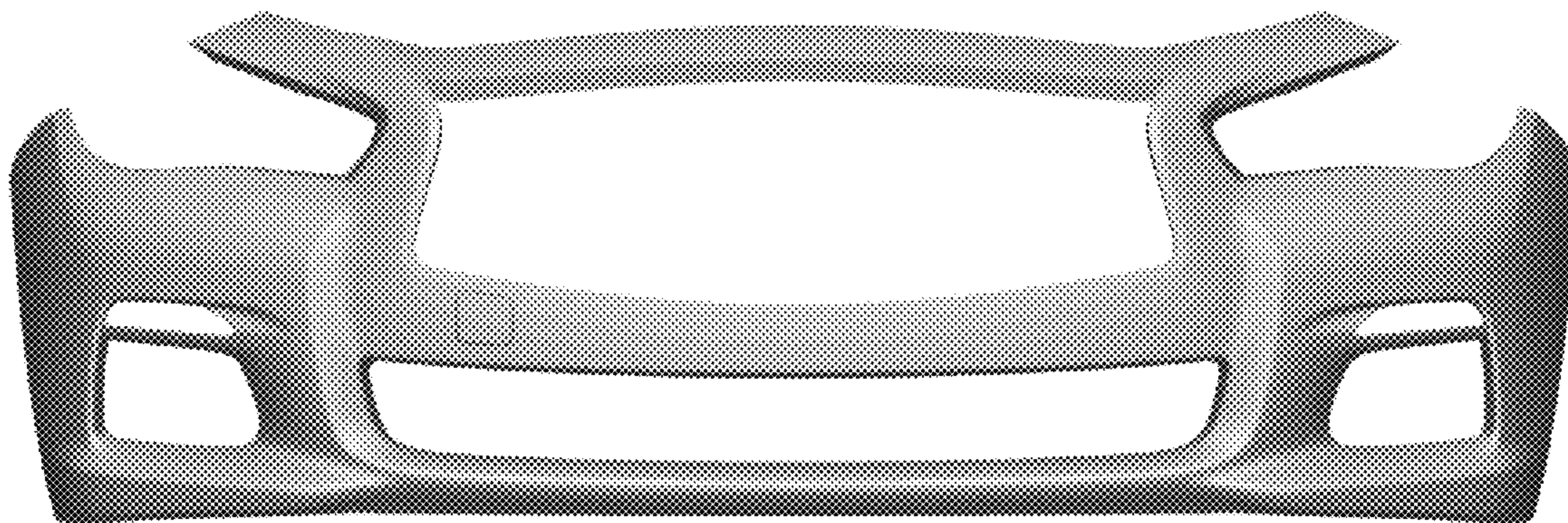
U.S. PATENT DOCUMENTS

D626,469 S 11/2010 Yanase
D627,278 S 11/2010 Komuro
D637,945 S * 5/2011 Nakagawa D12/169
D664,901 S * 8/2012 Futschik et al. D12/169

DESCRIPTION

FIG. 1 is a front elevational view of an automobile and/or replica thereof showing our new design;
FIG. 2 is a top plan view thereof;
FIG. 3 is a bottom plan view thereof;
FIG. 4 is a left side elevational view thereof;
FIG. 5 is a right side elevational thereof;
FIG. 6 is a top, front and right side perspective view thereof;
and,
FIG. 7 is a bottom, front and left side perspective view thereof.
The rear view of the front bumper forms no part of the claimed design.

1 Claim, 7 Drawing Sheets



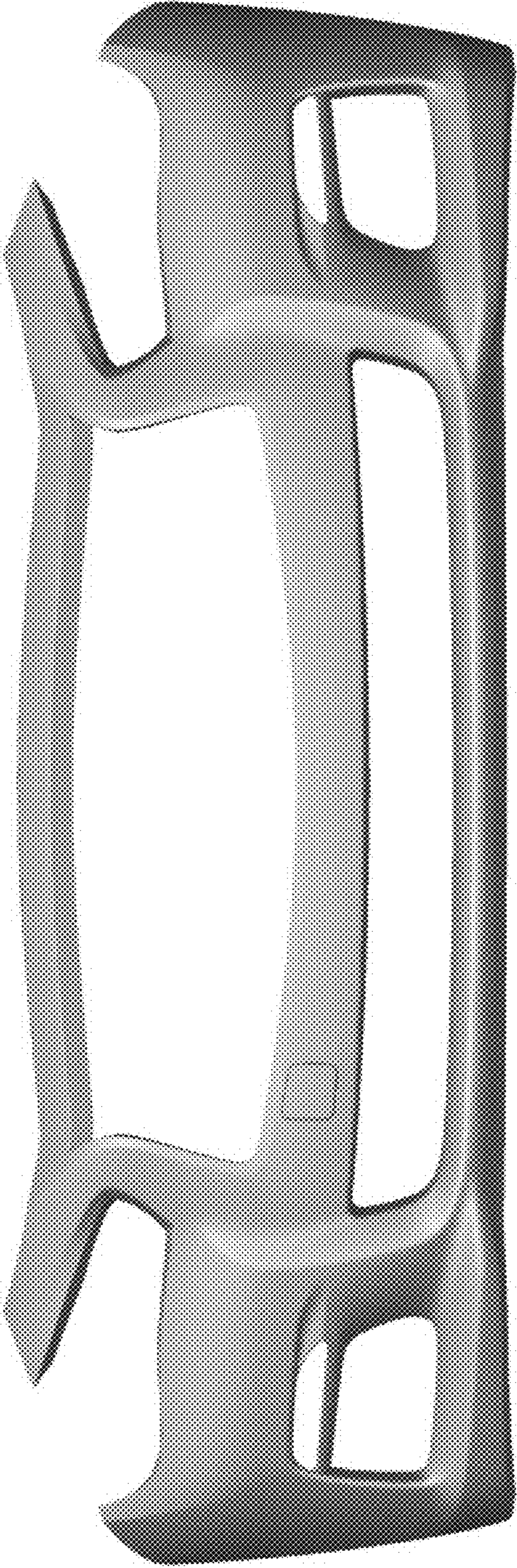


FIG. 1

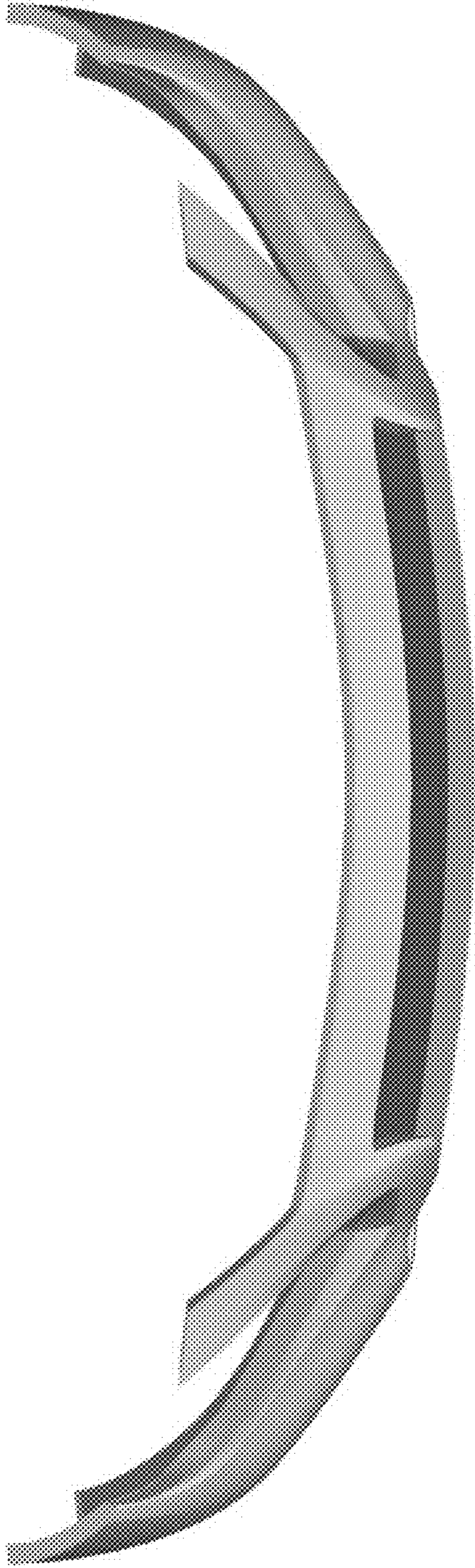


FIG. 2



FIG. 3

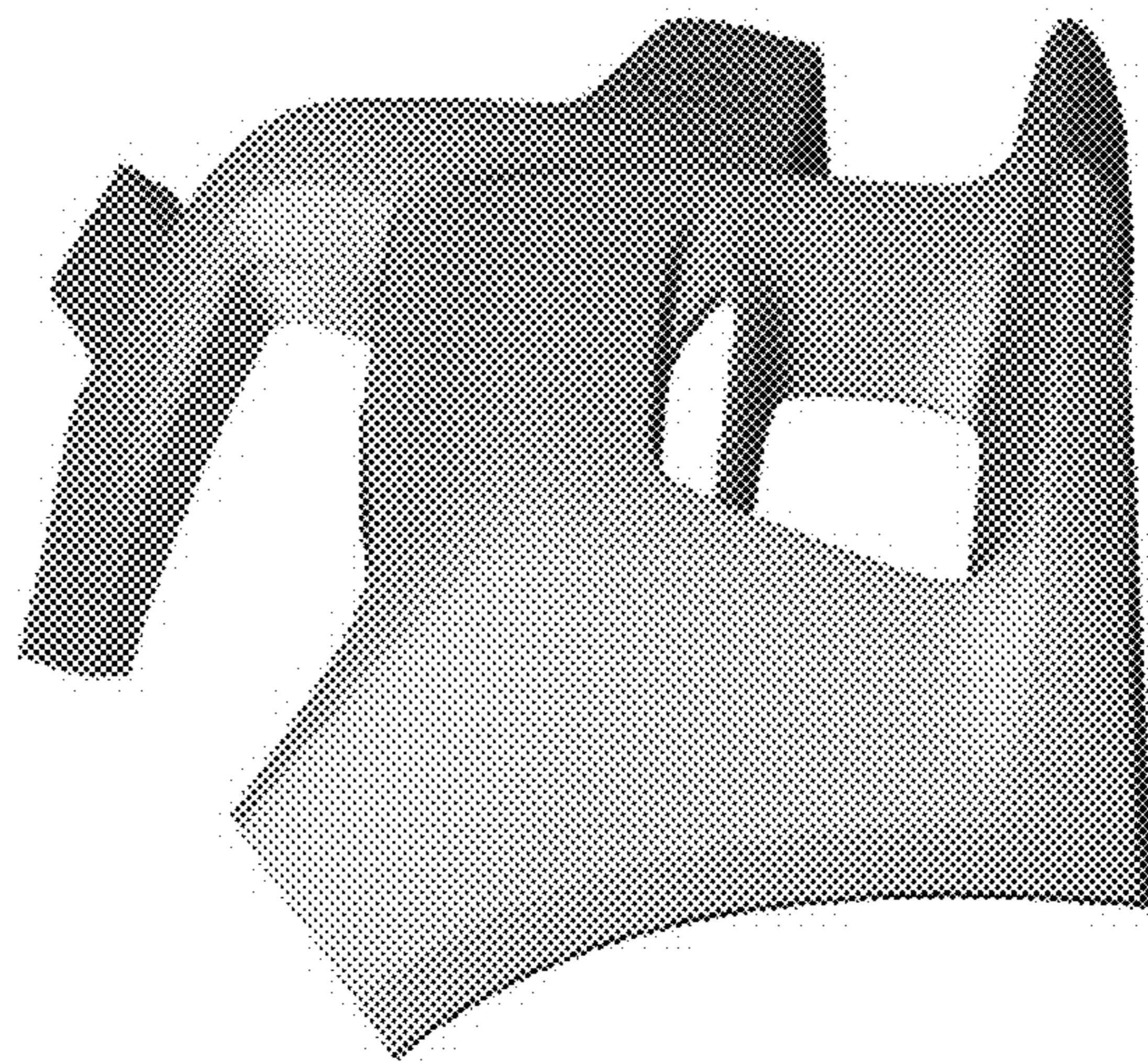


FIG. 4

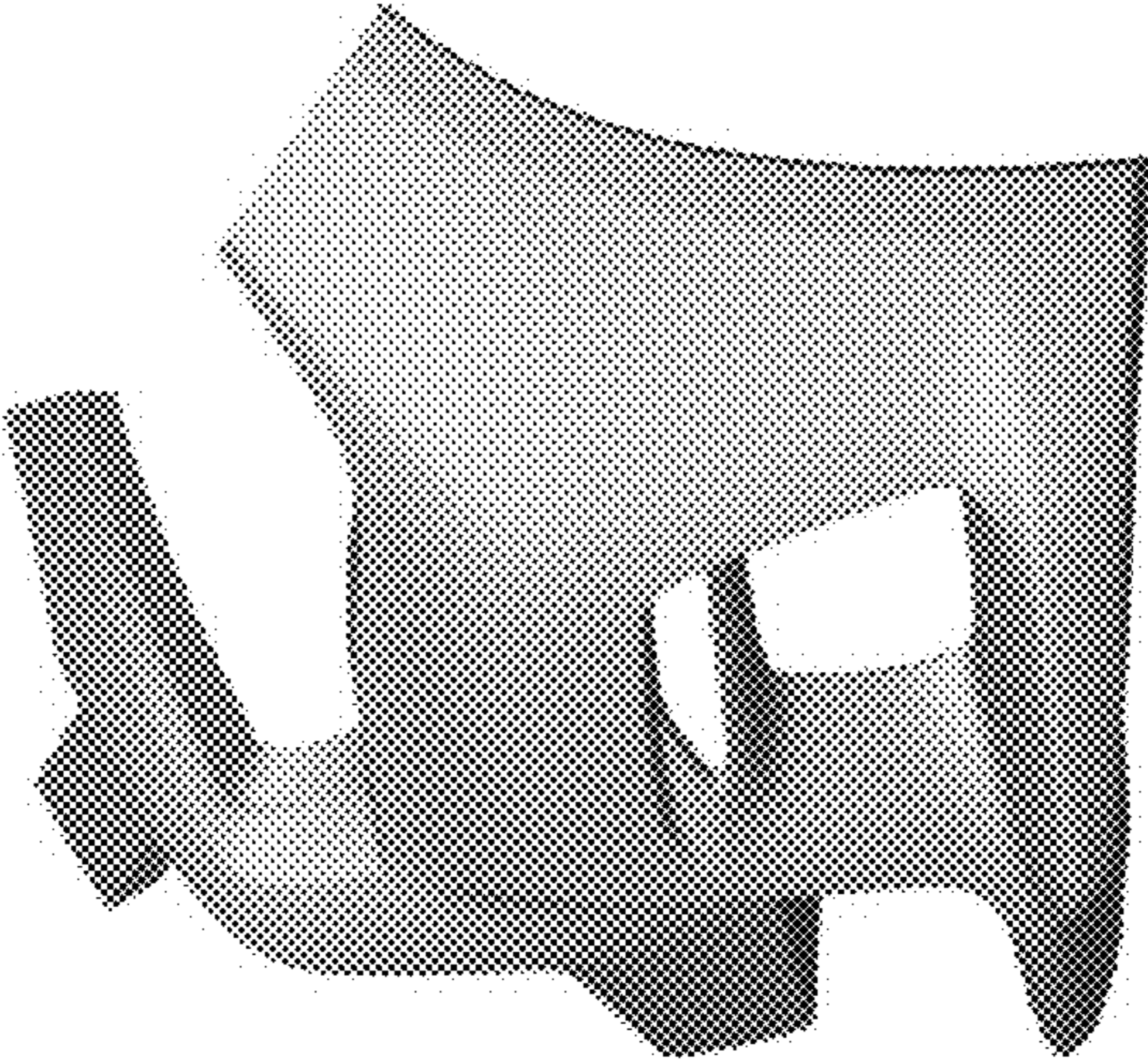


FIG. 5

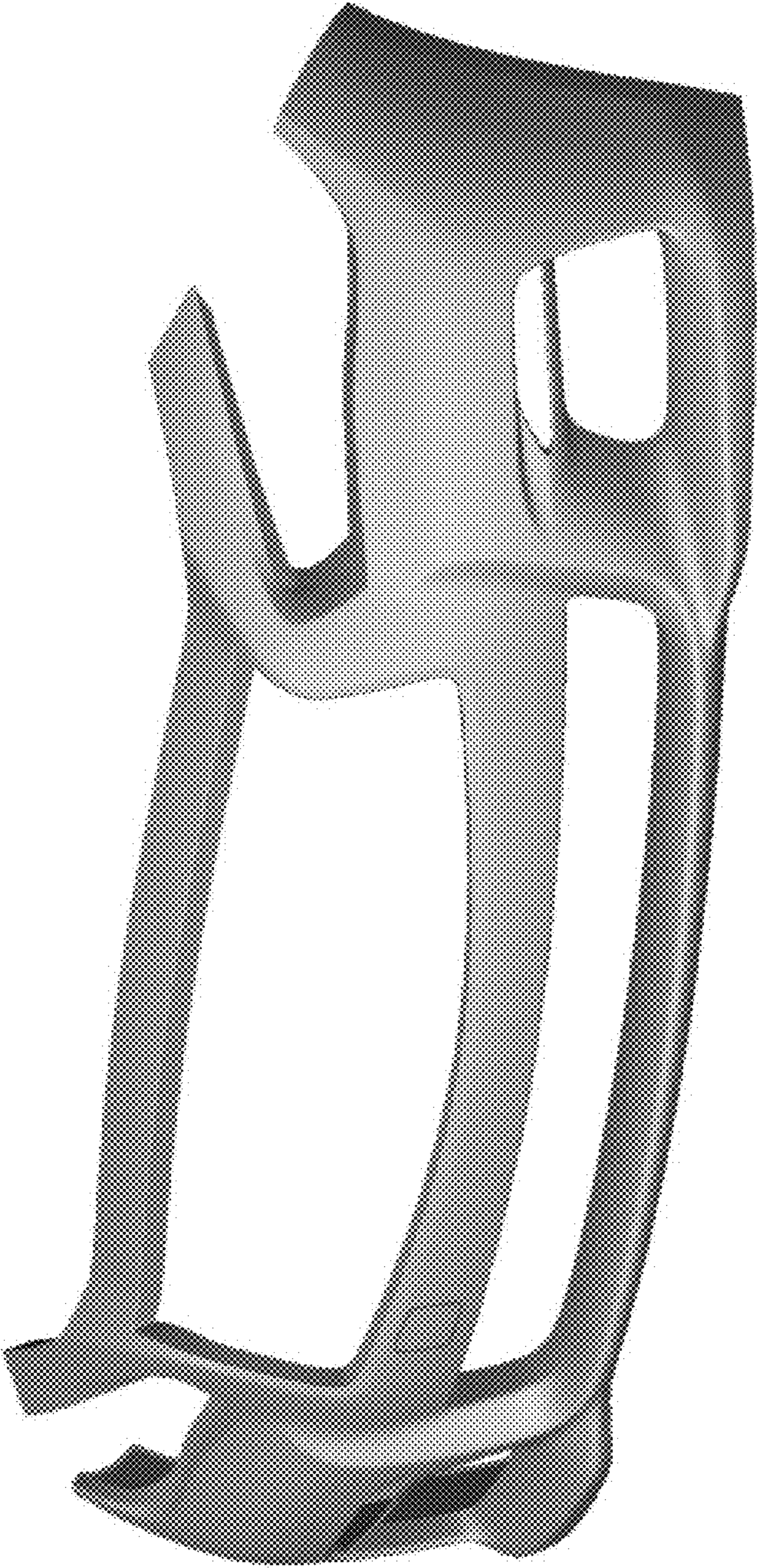


FIG. 6

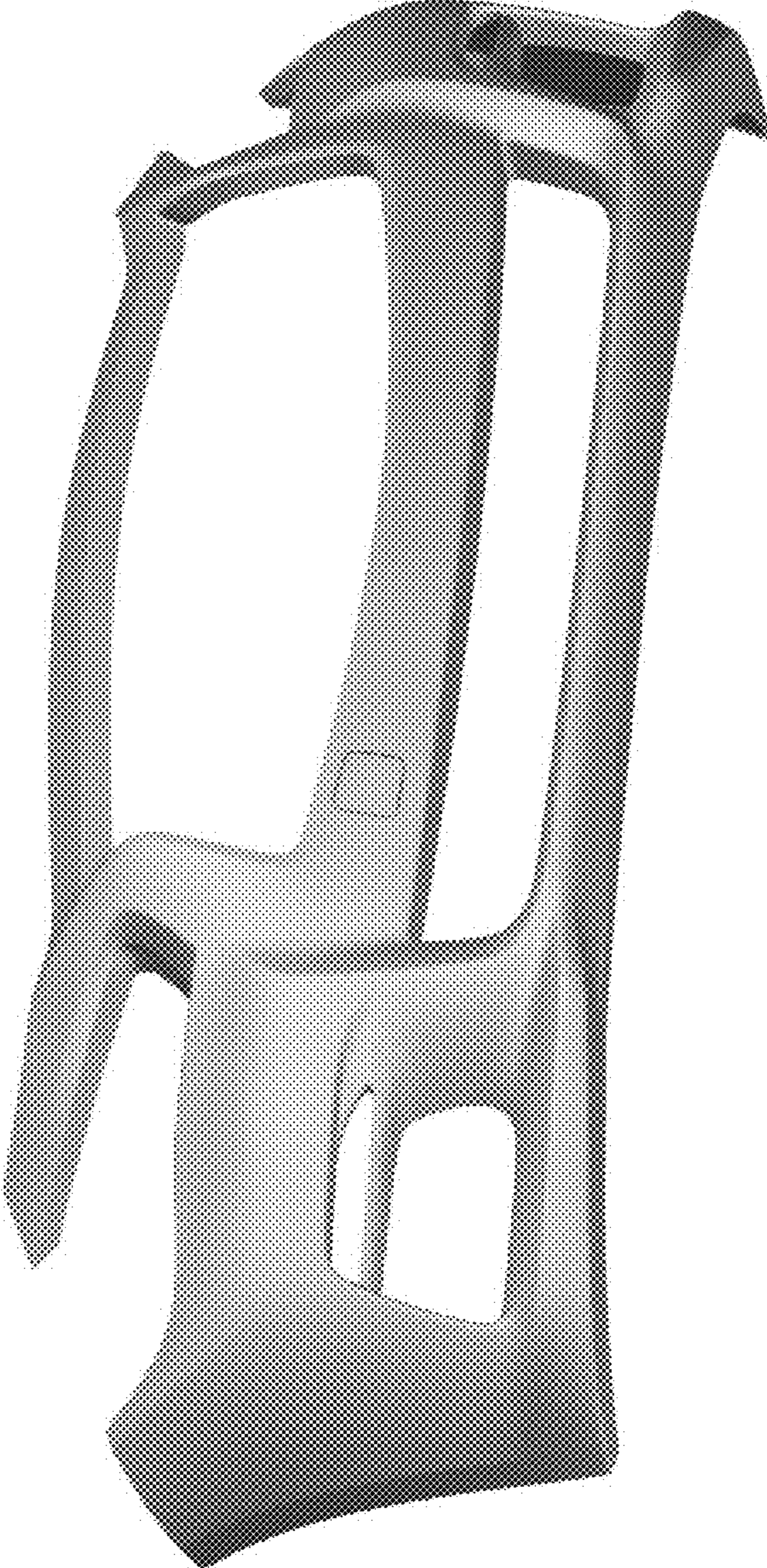


FIG. 7