



US00D718673S

(12) **United States Design Patent**
Thole et al.

(10) **Patent No.:** **US D718,673 S**

(45) **Date of Patent:** **** Dec. 2, 2014**

(54) **VEHICLE GRILLE**

(56) **References Cited**

(71) Applicant: **GM Global Technology Operations LLC**, Detroit, MI (US)

U.S. PATENT DOCUMENTS

(72) Inventors: **Louis D. Thole**, Gross Pointe Park, MI (US); **Scott P. Wassell**, Leonard, MI (US)

D572,179	S	*	7/2008	Zimmermann et al.	D12/163
7,896,409	B2	*	3/2011	Abdelnour et al.	293/115
D661,231	S	*	6/2012	Galante et al.	D12/163
D673,089	S	*	12/2012	Parkes et al.	D12/169
D679,225	S	*	4/2013	Gifford	D12/163
D692,810	S	*	11/2013	Tada et al.	D12/169
D695,166	S	*	12/2013	Tada	D12/169
D703,111	S	*	4/2014	Platto et al.	
D708,555	S	*	7/2014	Mackay	D12/163

(73) Assignee: **GM Global Technology Operations LLC**, Detroit, MI (US)

* cited by examiner

(**) Term: **14 Years**

Primary Examiner — Melody Brown

(21) Appl. No.: **29/466,964**

(74) *Attorney, Agent, or Firm* — Mickki D. Murray; Parks IP Law LLC

(22) Filed: **Sep. 13, 2013**

(51) **LOC (10) Cl.** **12-16**

(52) **U.S. Cl.**
USPC **D12/163**

(58) **Field of Classification Search**
USPC D12/163, 196, 86, 90-92, 171, 169,
D12/216; 180/68.1, 68.6; 293/193.11, 115

See application file for complete search history.

(57) **CLAIM**

The ornamental design for a vehicle grille, as shown and described.

DESCRIPTION

FIG. 1 is perspective view of a vehicle grille showing the new design;

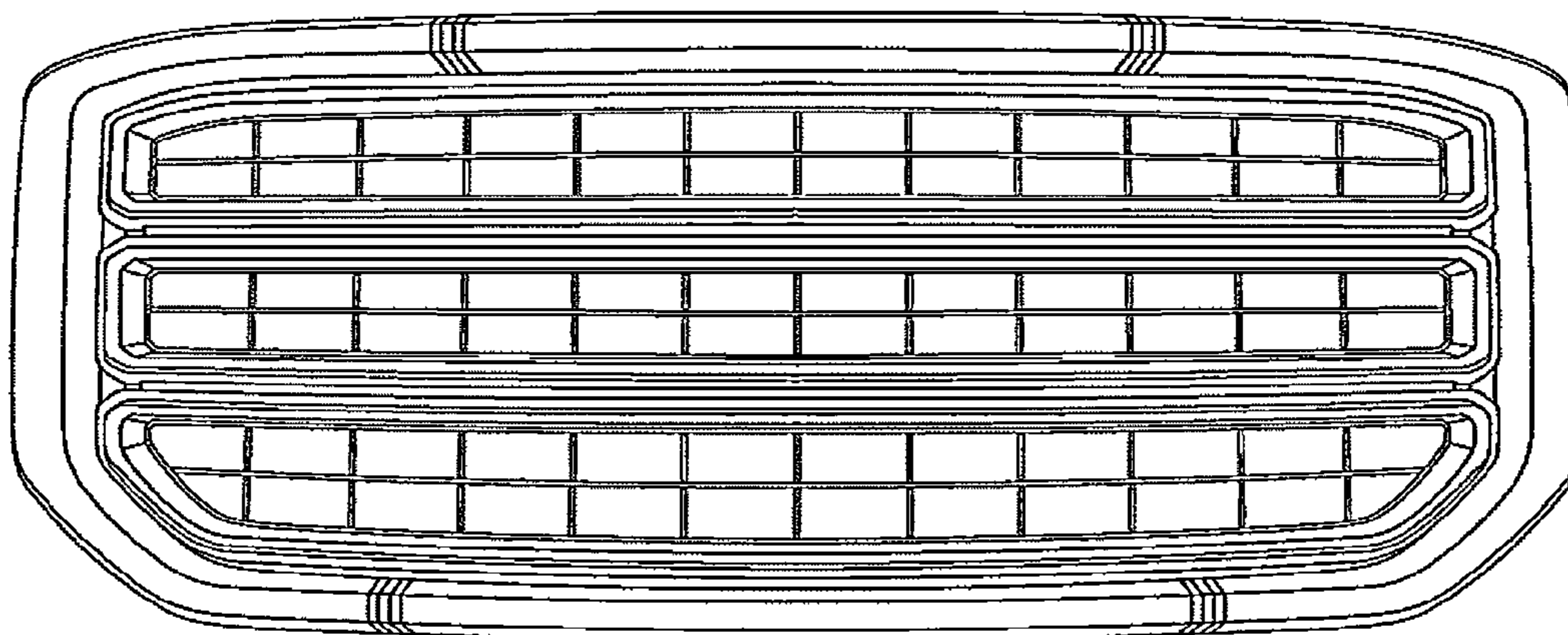
FIG. 2 is a top plan view, thereof;

FIG. 3 is a front view, thereof; and,

FIG. 4 is a side view, thereof.

In the figures, features shown by broken lines are for illustrative purposes only and form no part of the claimed design.

1 Claim, 2 Drawing Sheets



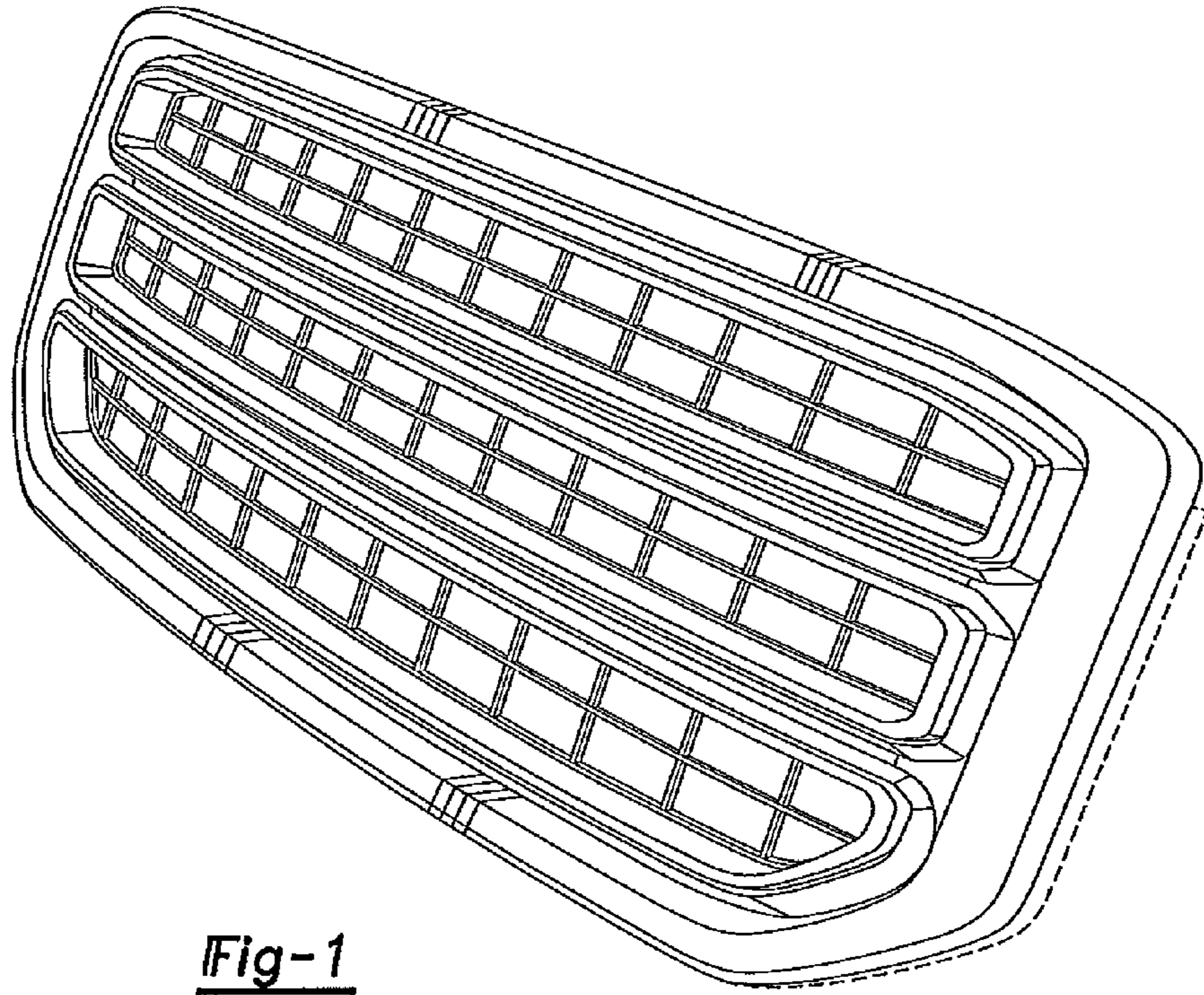


Fig-1

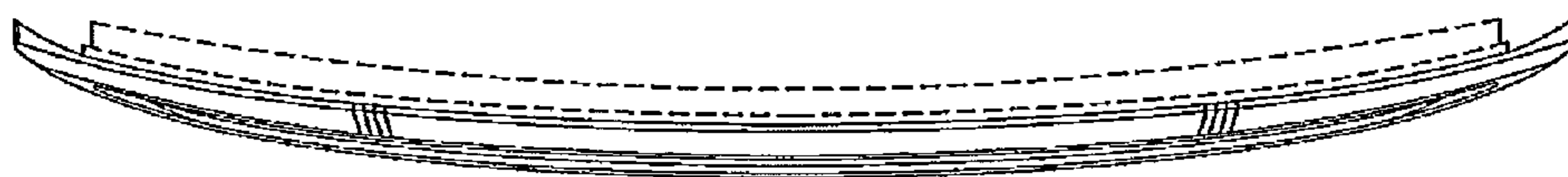


Fig-2

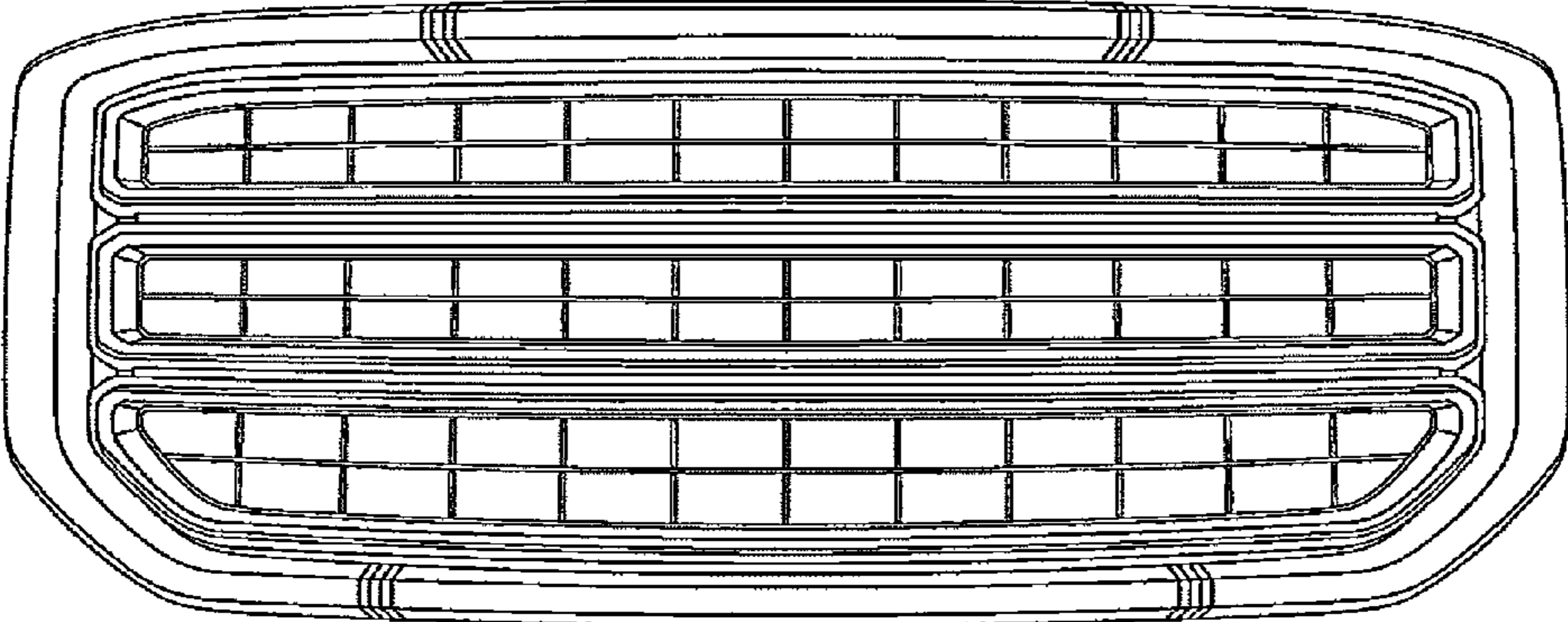


Fig-3

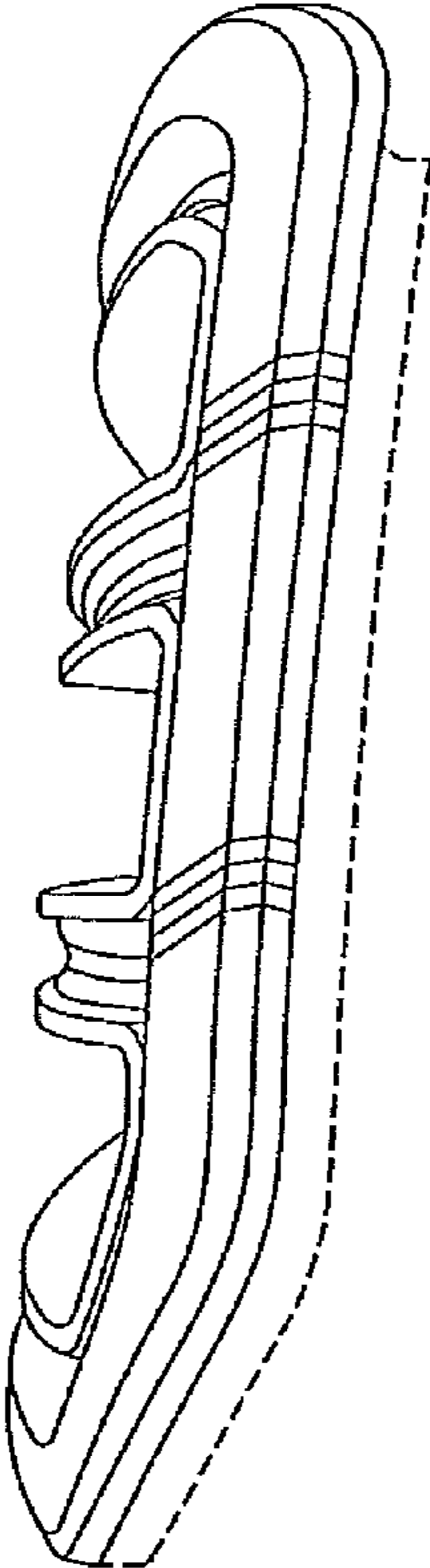


Fig-4