



US00D718672S

(12) **United States Design Patent**
Siao et al.

(10) **Patent No.:** **US D718,672 S**
(45) **Date of Patent:** **** Dec. 2, 2014**

(54) **FRONT PANEL FOR ELECTRIC SCOOTERS**

(71) Applicant: **Kwang Yang Motor Co., Ltd.,**
Kaohsiung (TW)

(72) Inventors: **Bo-Wun Siao, Kaohsiung (TW);**
Chieh-Mao Chang, Kaohsiung (TW)

(73) Assignee: **Kwang Yang Motor Co., Ltd.,**
Kaohsiung (TW)

(**) Term: **14 Years**

(21) Appl. No.: **29/464,645**

(22) Filed: **Aug. 20, 2013**

(51) **LOC (10) Cl.** **12-12**

(52) **U.S. Cl.**
USPC **D12/133**

(58) **Field of Classification Search**
USPC D12/128-133; 280/62, 647-650, 29,
280/200, 47.38, 250.1, 259, 642, 658;
296/65.03, 65.04; 224/409
See application file for complete search history.

(56) **References Cited**

U.S. PATENT DOCUMENTS

D382,838 S * 8/1997 Black D12/131
D387,018 S * 12/1997 Cook D12/131

D401,190 S * 11/1998 Krause D12/128
D444,422 S * 7/2001 Cheng D12/131
D454,814 S * 3/2002 Ou D12/128
D489,296 S * 5/2004 Tsai D12/131
D494,510 S * 8/2004 Tsai D12/128
D494,512 S * 8/2004 Cheng D12/131
D509,774 S * 9/2005 Chen D12/131
D531,094 S * 10/2006 Flowers et al. D12/131
D571,264 S * 6/2008 Yang D12/131
D578,935 S * 10/2008 Yang D12/107

* cited by examiner

Primary Examiner — Ian Simmons

Assistant Examiner — Charles Hanson

(74) *Attorney, Agent, or Firm* — Leong C. Lei

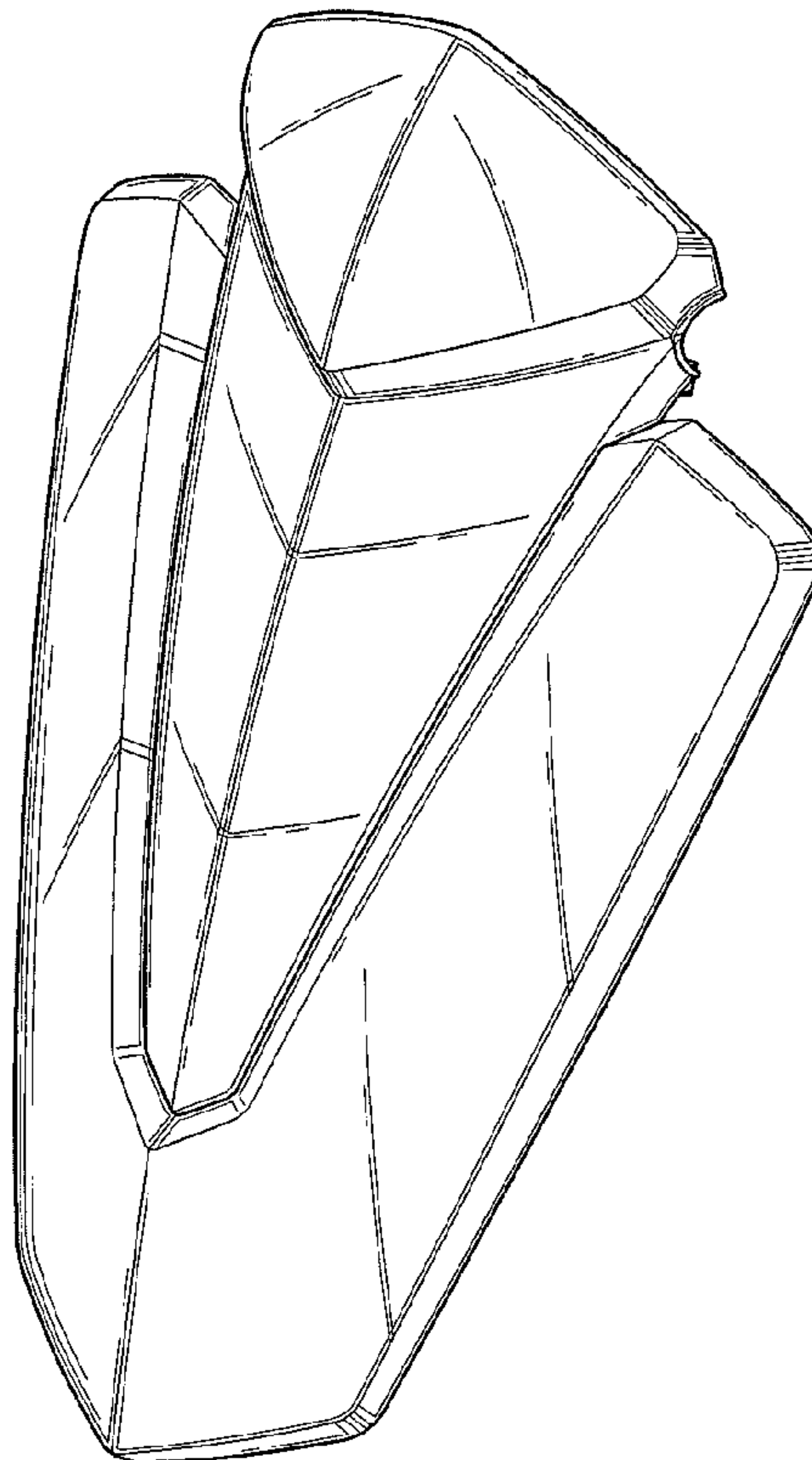
(57) **CLAIM**

The ornamental design for a front panel for electric scooters, as shown and described.

DESCRIPTION

FIG. 1 is a perspective view of a front panel for electric scooters showing my new design;
FIG. 2 is a front elevational view thereof;
FIG. 3 is a rear elevational view thereof;
FIG. 4 is a left side elevational view thereof;
FIG. 5 is a right side elevational view thereof;
FIG. 6 is a top plan view thereof; and,
FIG. 7 is a bottom plan view thereof.

1 Claim, 4 Drawing Sheets



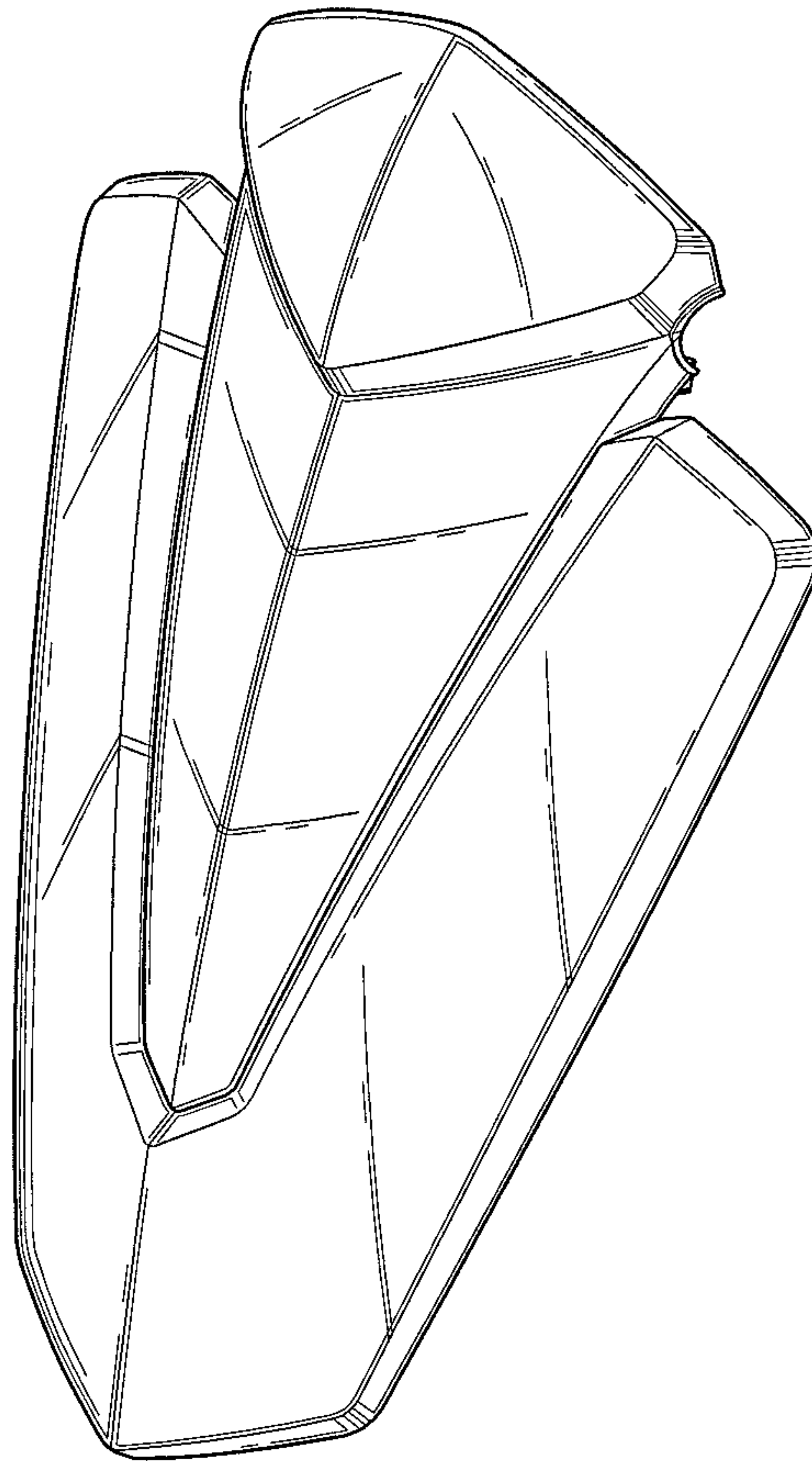


FIG.1

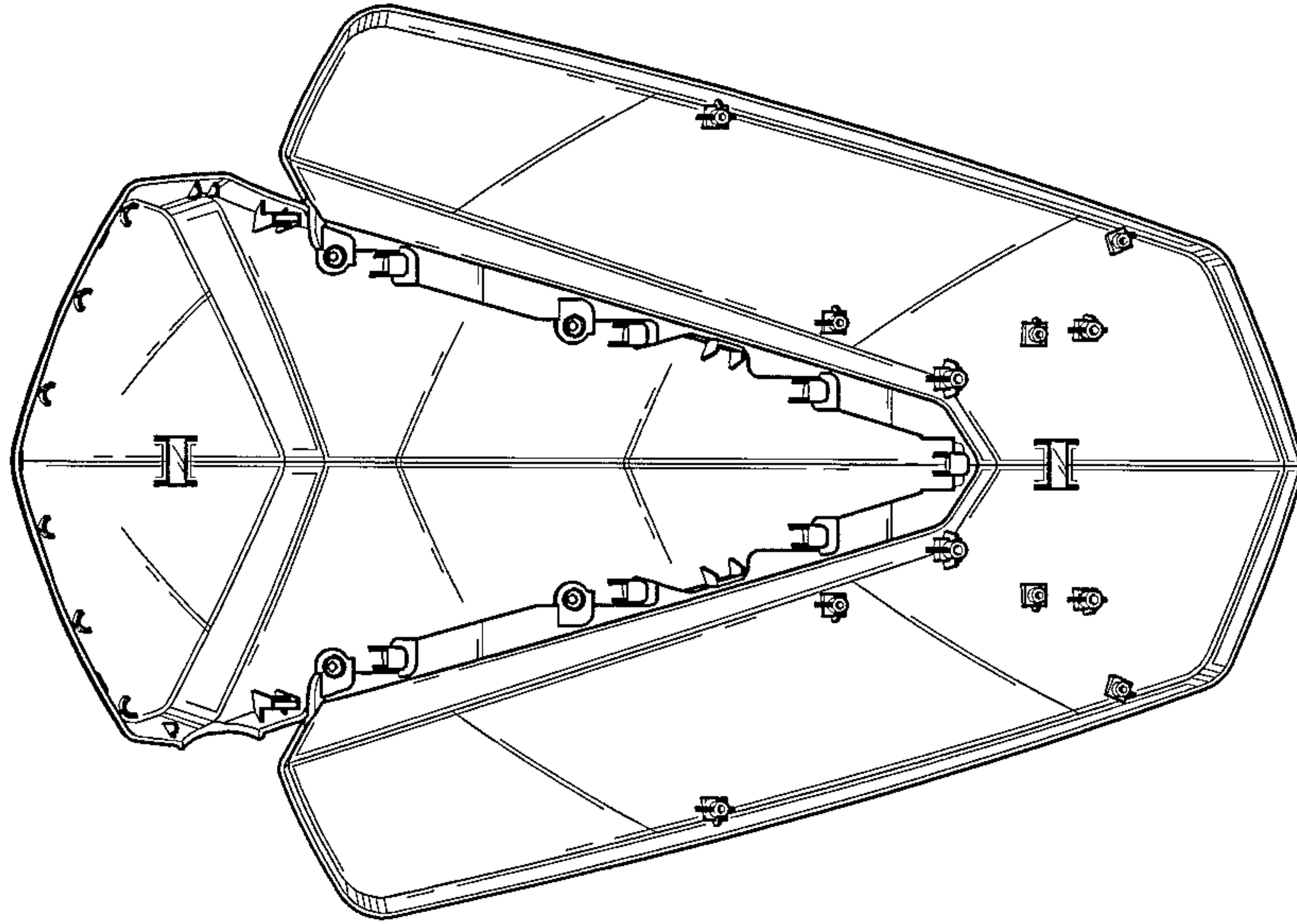


FIG.3

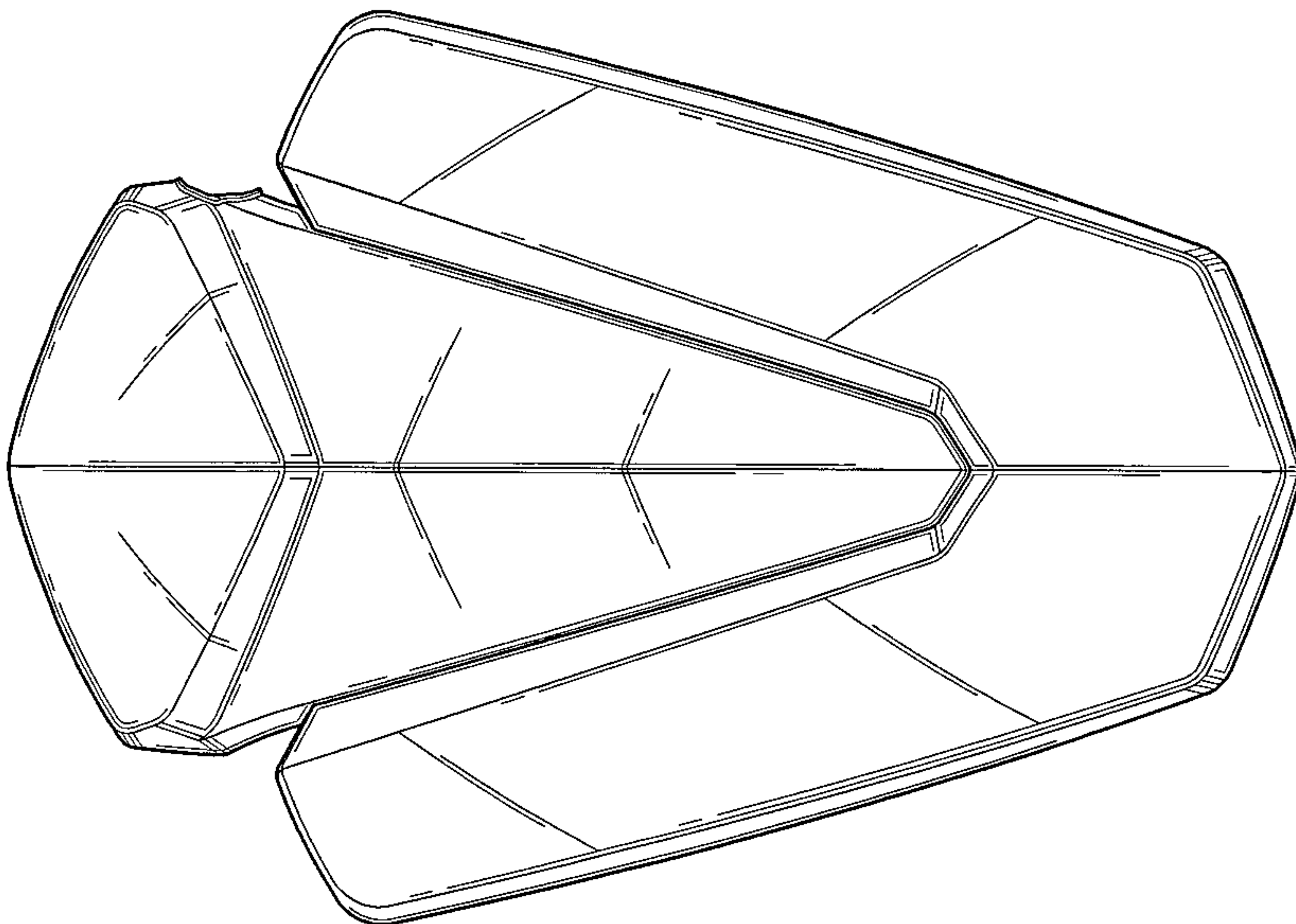


FIG.2

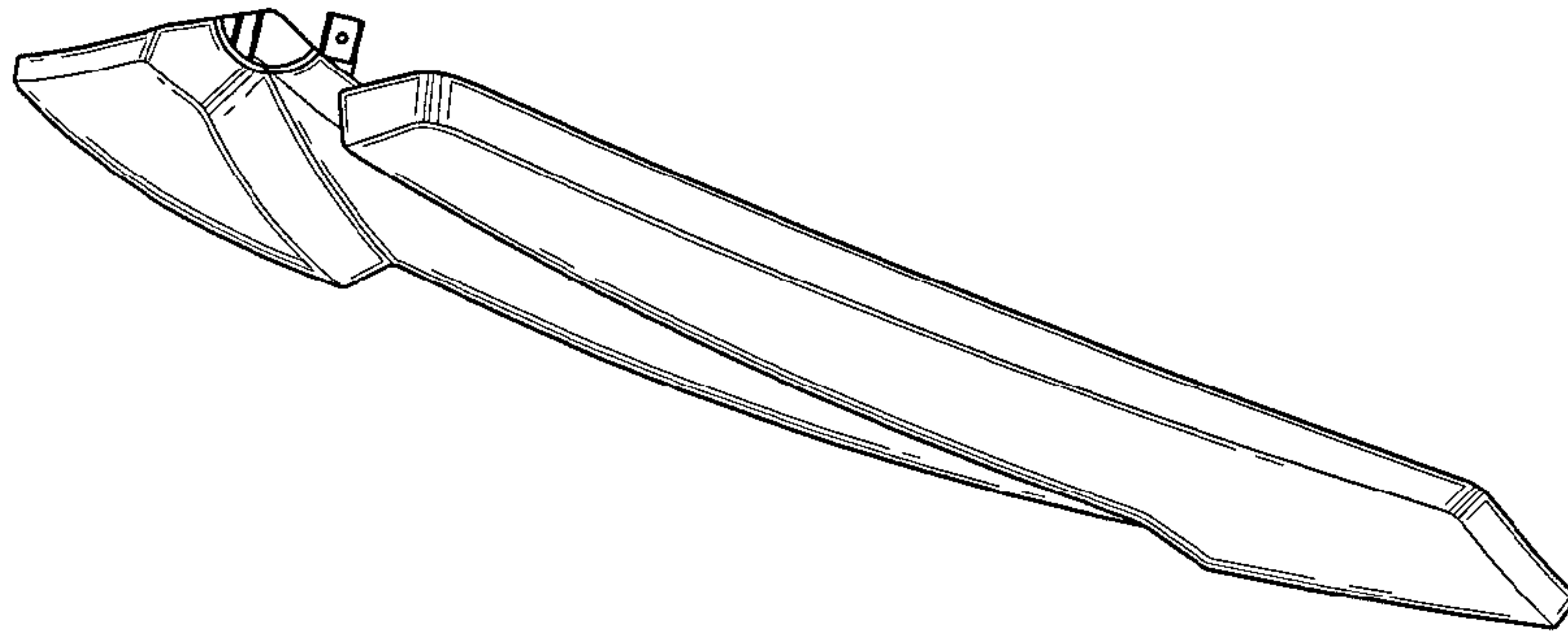


FIG.5

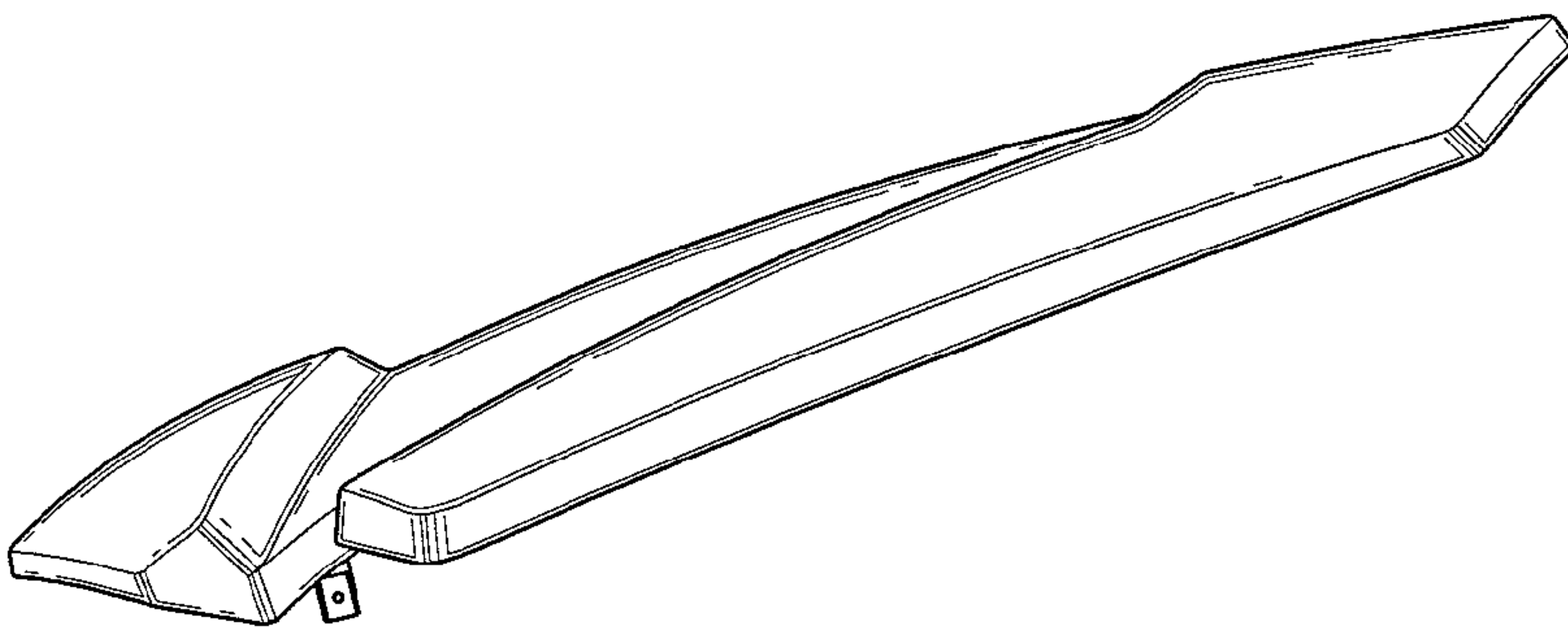


FIG.4

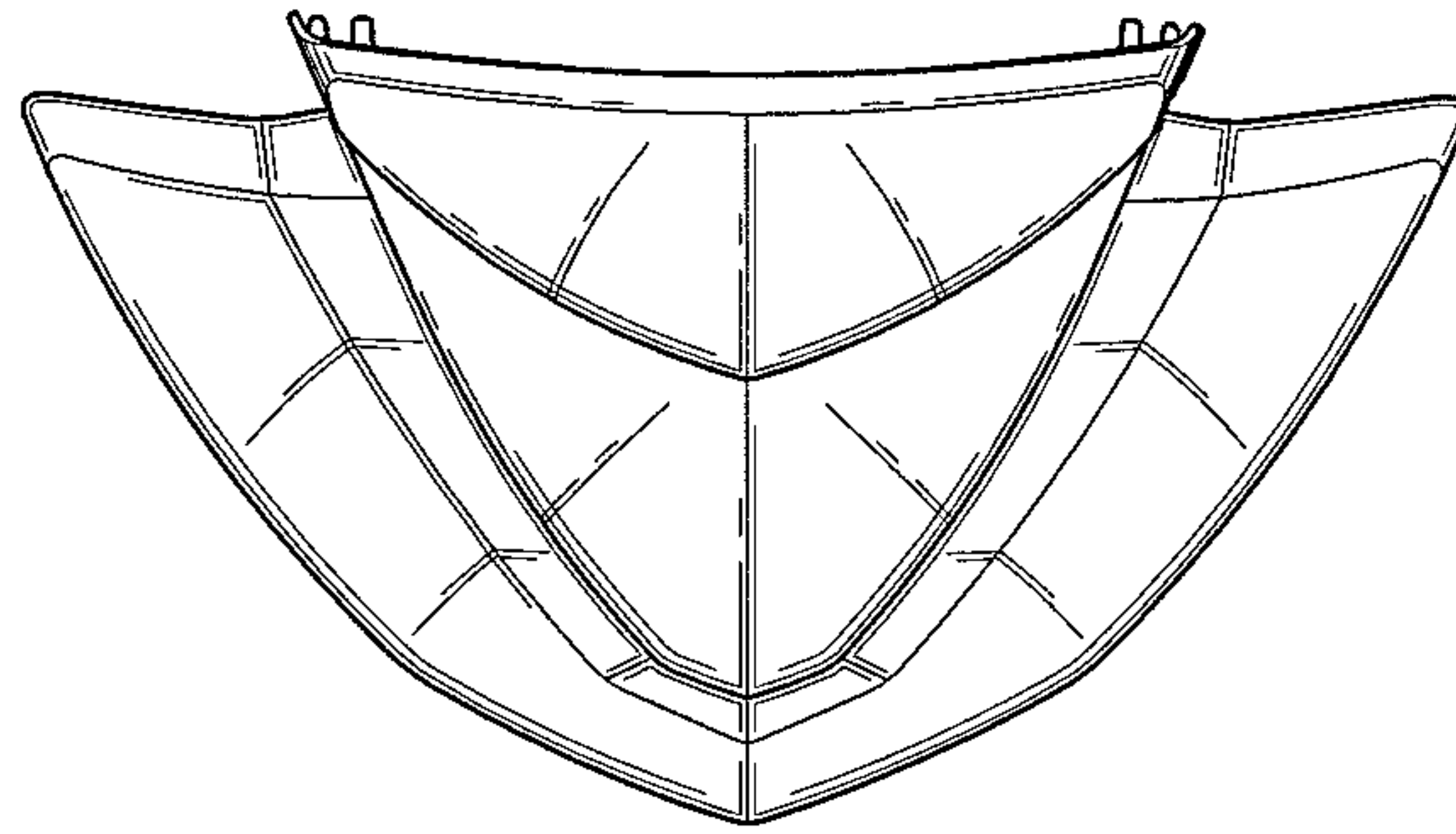


FIG. 6

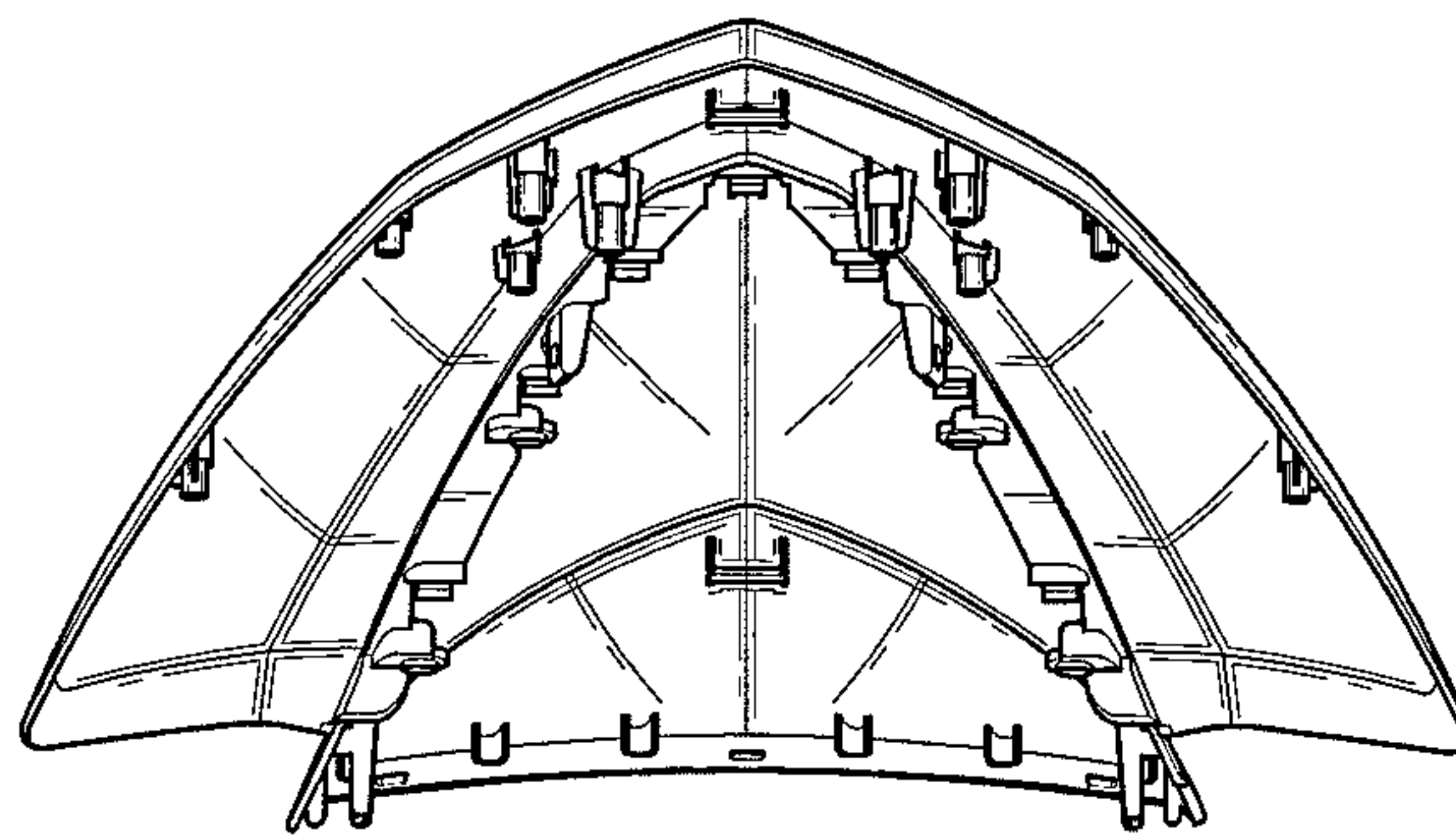


FIG. 7