



US00D718671S

(12) **United States Design Patent**
Parvey

(10) **Patent No.:** **US D718,671 S**

(45) **Date of Patent:** **** Dec. 2, 2014**

(54) **MOTORCYCLE FOOT PEG MOUNT**

(71) Applicant: **Kuryakyn Holdings, LLC**, Somerset, WI (US)

(72) Inventor: **Daniel E Parvey**, New Richmond, WI (US)

(73) Assignee: **Kuryakyn Holdings, LLC**, Somerset, WI (US)

(**) Term: **14 Years**

(21) Appl. No.: **29/480,727**

(22) Filed: **Jan. 29, 2014**

(51) **LOC (10) Cl.** **12-11**

(52) **U.S. Cl.**
USPC **D12/114**

(58) **Field of Classification Search**
USPC D12/114, 110, 122, 125, 223; 74/562, 74/562.5, 564, 594.3, 594.4, 594.7, 74/473.16, 473.17, 478.5, 560, 478; 296/75; 180/90.6, 219, 220; 280/288.4, 280/291; D8/70, 71, 349, 354, 373, 381
See application file for complete search history.

(56) **References Cited**

U.S. PATENT DOCUMENTS

5,779,254	A *	7/1998	James et al.	280/291
6,173,983	B1 *	1/2001	Moore	280/291
D454,828	S *	3/2002	Alder	D12/223
D547,243	S *	7/2007	Matsumura et al.	D12/118
D562,112	S *	2/2008	Harrell	D8/354
D564,419	S *	3/2008	Clontz	D12/114
D579,383	S *	10/2008	Owyang	D12/114

7,637,523	B2 *	12/2009	Fouhy	280/291
D613,591	S *	4/2010	Lee	D8/373
D653,175	S *	1/2012	Parvey	D12/114
D662,861	S *	7/2012	Foos	D12/114
8,388,008	B2 *	3/2013	Smith	280/291
2007/0062327	A1 *	3/2007	Kouchi et al.	74/564

OTHER PUBLICATIONS

“2" Offset for Passenger Board Mounting.” Kuryakyn., Apr. 21, 2010 [online], [retrieved on Jul. 18, 2014]. Retrieved from the Internet <URL: <http://www.kuryakyn.com/Products/3951/2-Offset-for-Passenger-Board-Mounting>>.*

* cited by examiner

Primary Examiner — Philip S Hyder

Assistant Examiner — Darlington Ly

(74) *Attorney, Agent, or Firm* — Dicke, Billig & Czaja, PLLC

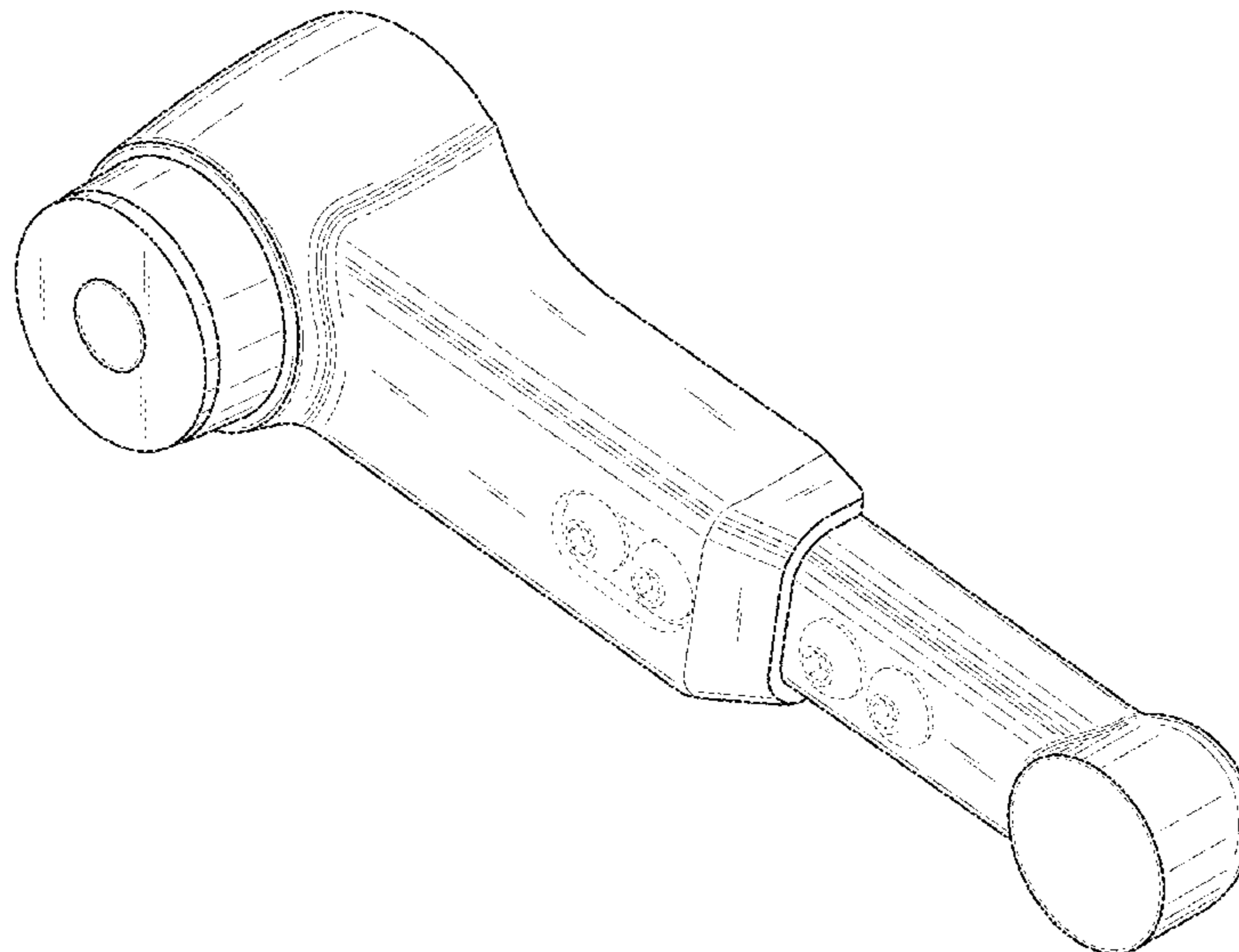
(57) **CLAIM**

The ornamental design for a motorcycle foot peg mount, as shown and described.

DESCRIPTION

FIG. 1 is a perspective view of the motorcycle foot peg mount of the present invention;
FIG. 2 is a front elevation view thereof;
FIG. 3 is a rear elevation view thereof;
FIG. 4 is a top plan view thereof;
FIG. 5 is a right-side elevation view thereof; and,
FIG. 6 is a left-side elevation view thereof.
The motorcycle foot peg mount portions shown in broken lines form no part of the claimed design.

1 Claim, 5 Drawing Sheets



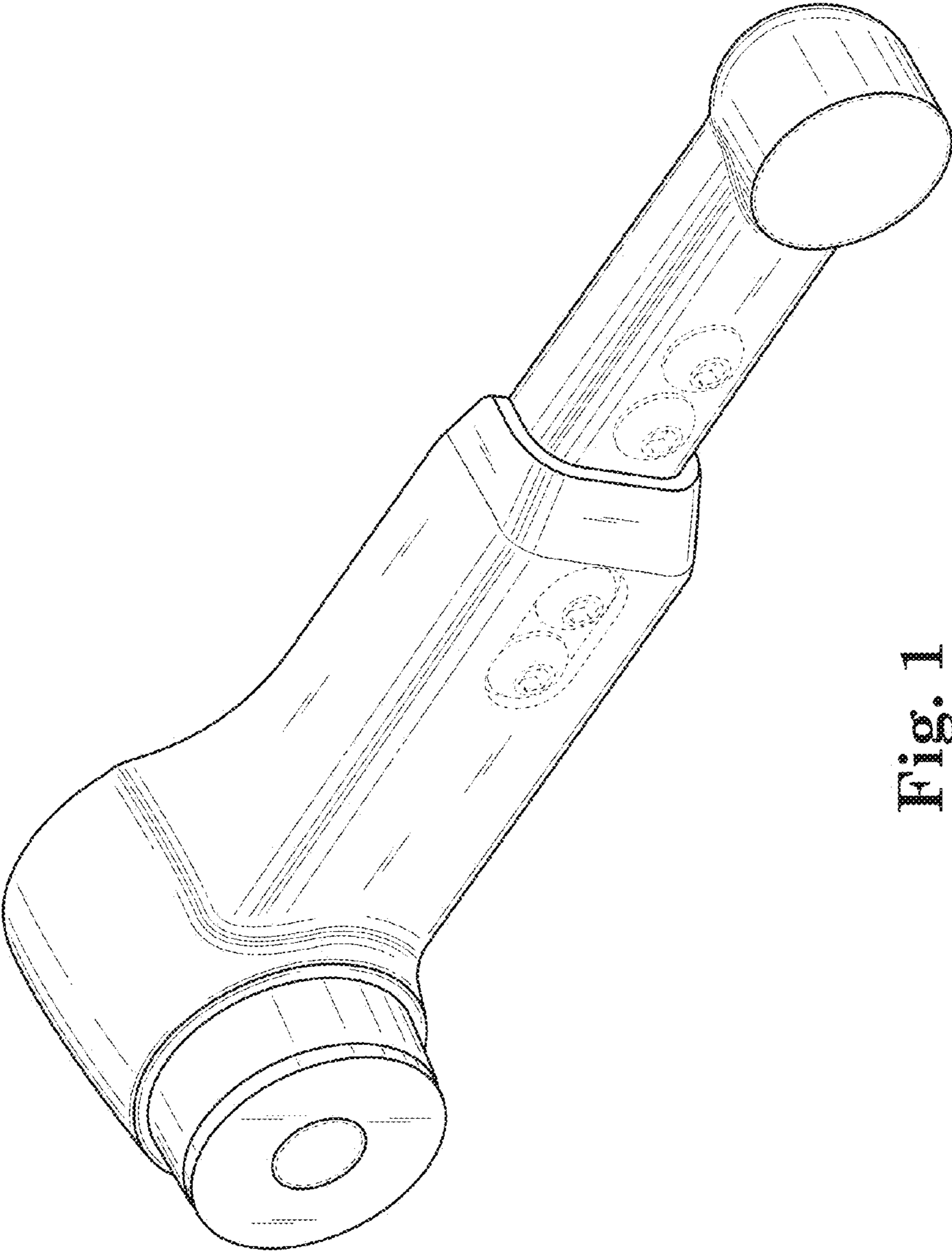


Fig. 1

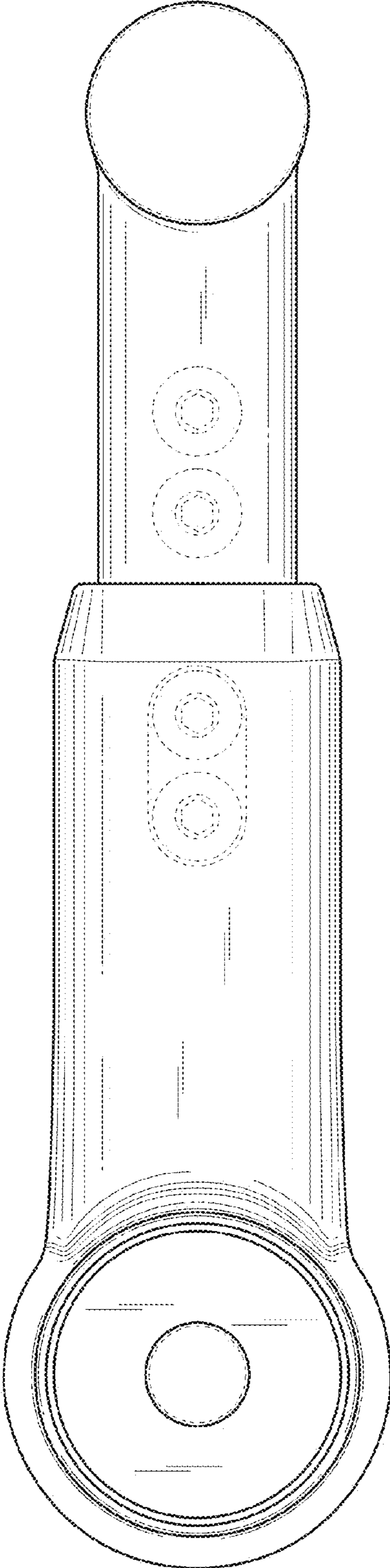


Fig. 2

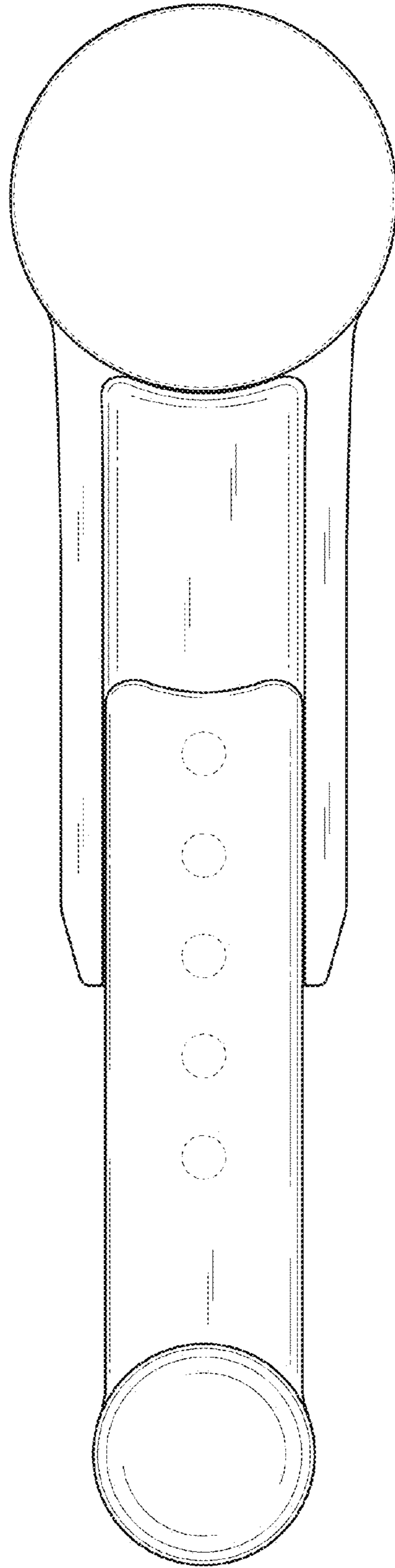


Fig. 3

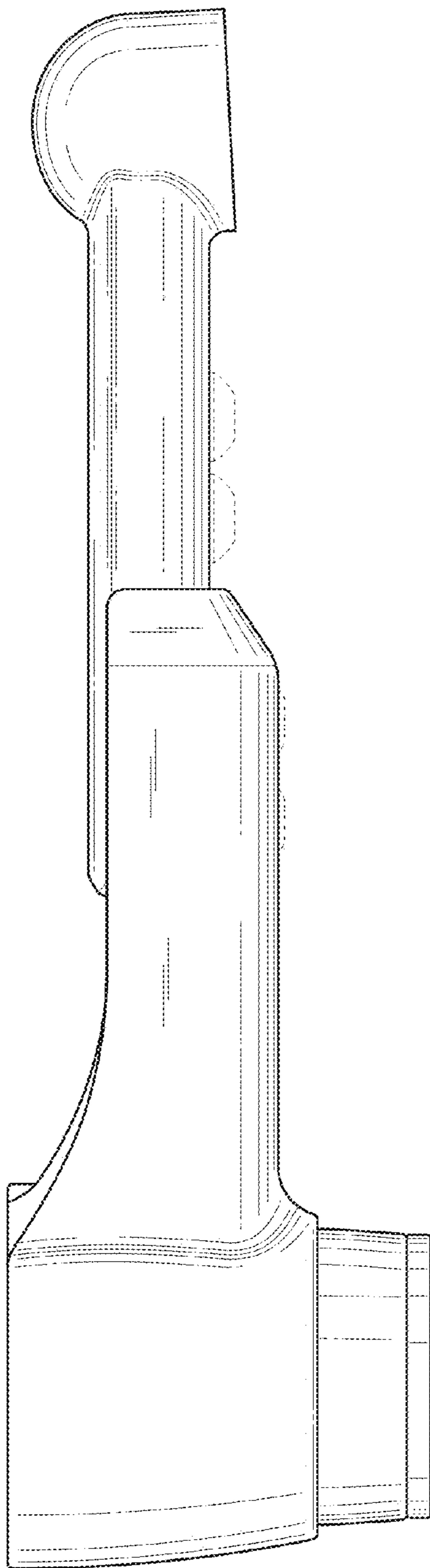


Fig. 4

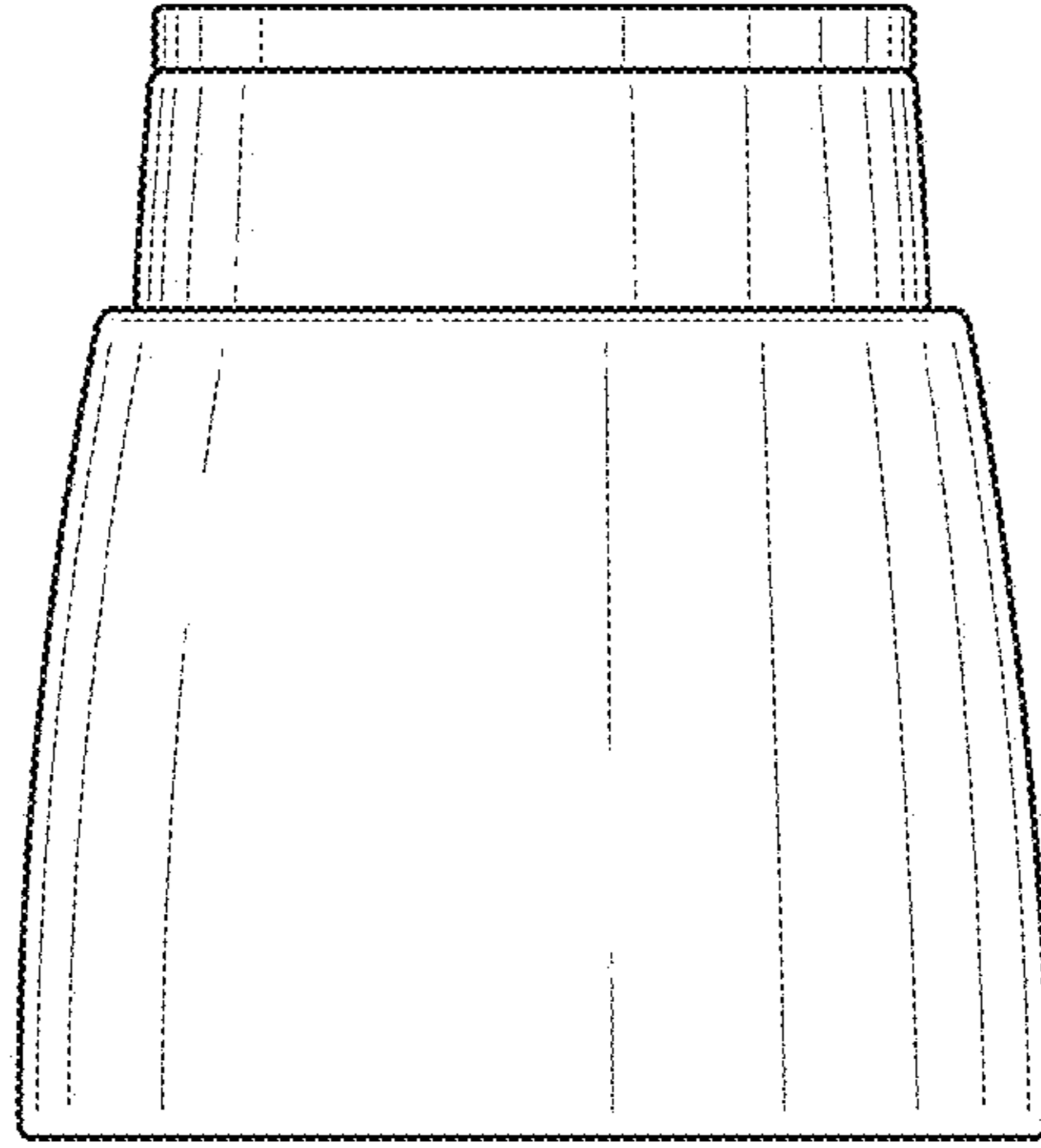


Fig. 6

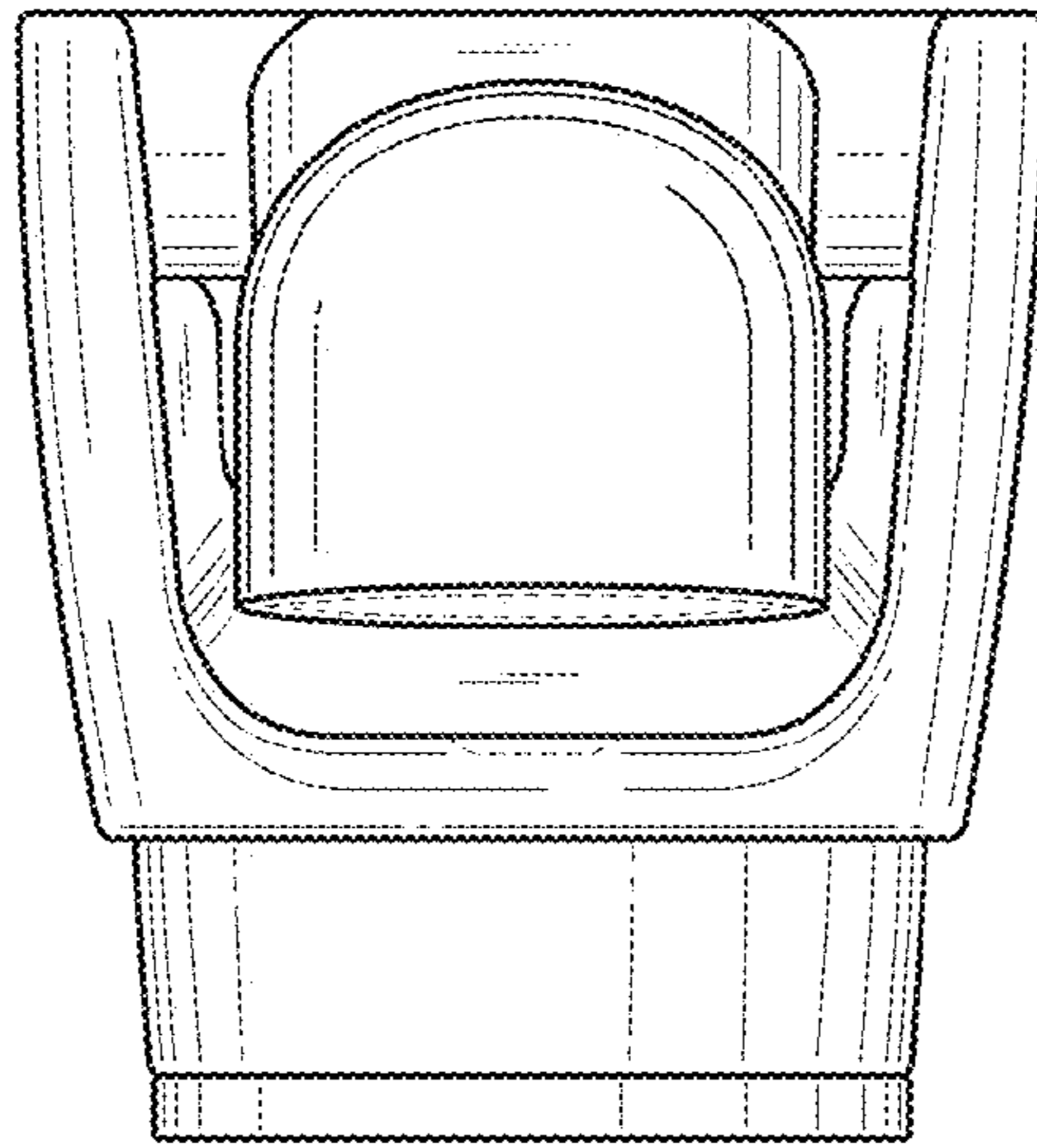


Fig. 5