



US00D718666S

(12) **United States Design Patent**  
**Hammoud et al.**

(10) **Patent No.:** **US D718,666 S**

(45) **Date of Patent:** **\*\* Dec. 2, 2014**

(54) **AUTOMOBILE EXTERIOR**

(71) Applicants: **Mohamad J Hammoud**, Lake Orion, MI (US); **Jeffrey R Aneiros**, Birmingham, MI (US); **John S Owens**, Pleasant Ridge, MI (US); **Mark D Hall**, Rochester Hills, MI (US); **Brandon L Faurote**, Rochester, MI (US)

(72) Inventors: **Mohamad J Hammoud**, Lake Orion, MI (US); **Jeffrey R Aneiros**, Birmingham, MI (US); **John S Owens**, Pleasant Ridge, MI (US); **Mark D Hall**, Rochester Hills, MI (US); **Brandon L Faurote**, Rochester, MI (US)

(73) Assignee: **Chrysler Group LLC**, Auburn Hills, MI (US)

(\*\*) Term: **14 Years**

(21) Appl. No.: **29/476,470**

(22) Filed: **Dec. 13, 2013**

(51) **LOC (10) Cl.** ..... **12-08**

(52) **U.S. Cl.**  
USPC ..... **D12/92**

(58) **Field of Classification Search**  
CPC ..... B62D 35/00  
USPC ..... D12/86, 90-92; D21/421, 433, 434;  
296/181.1, 181.5

See application file for complete search history.

(56) **References Cited**

U.S. PATENT DOCUMENTS

D647,823	S	*	11/2011	Okumoto et al.	.....	D12/92
D674,319	S	*	1/2013	Doyle et al.	.....	D12/92
D684,900	S	*	6/2013	Doyle et al.	.....	D12/92
D700,870	S	*	3/2014	Jevremovic et al.	.....	D12/92

\* cited by examiner

*Primary Examiner* — Melody N Brown

(74) *Attorney, Agent, or Firm* — Ralph E Smith

(57) **CLAIM**

The ornamental design for an automobile exterior, as shown and described.

**DESCRIPTION**

FIG. 1 is a front perspective view of an automobile exterior showing our new design;

FIG. 2 is a rear perspective view thereof;

FIG. 3 is a top plan view thereof;

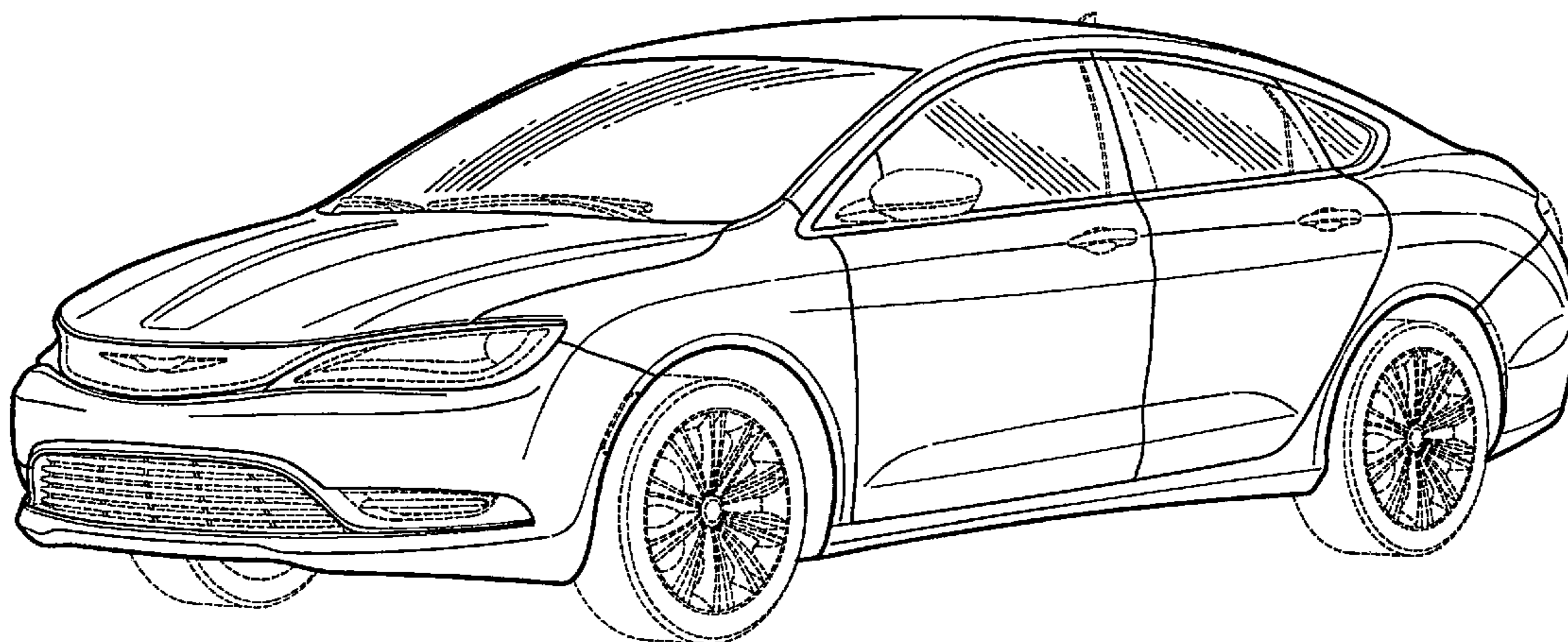
FIG. 4 is a side view thereof;

FIG. 5 is a front view thereof; and,

FIG. 6 is a rear view thereof.

It will be understood that the broken lines presented in the drawings are for illustration only, and do not form a part of the claimed design.

**1 Claim, 5 Drawing Sheets**



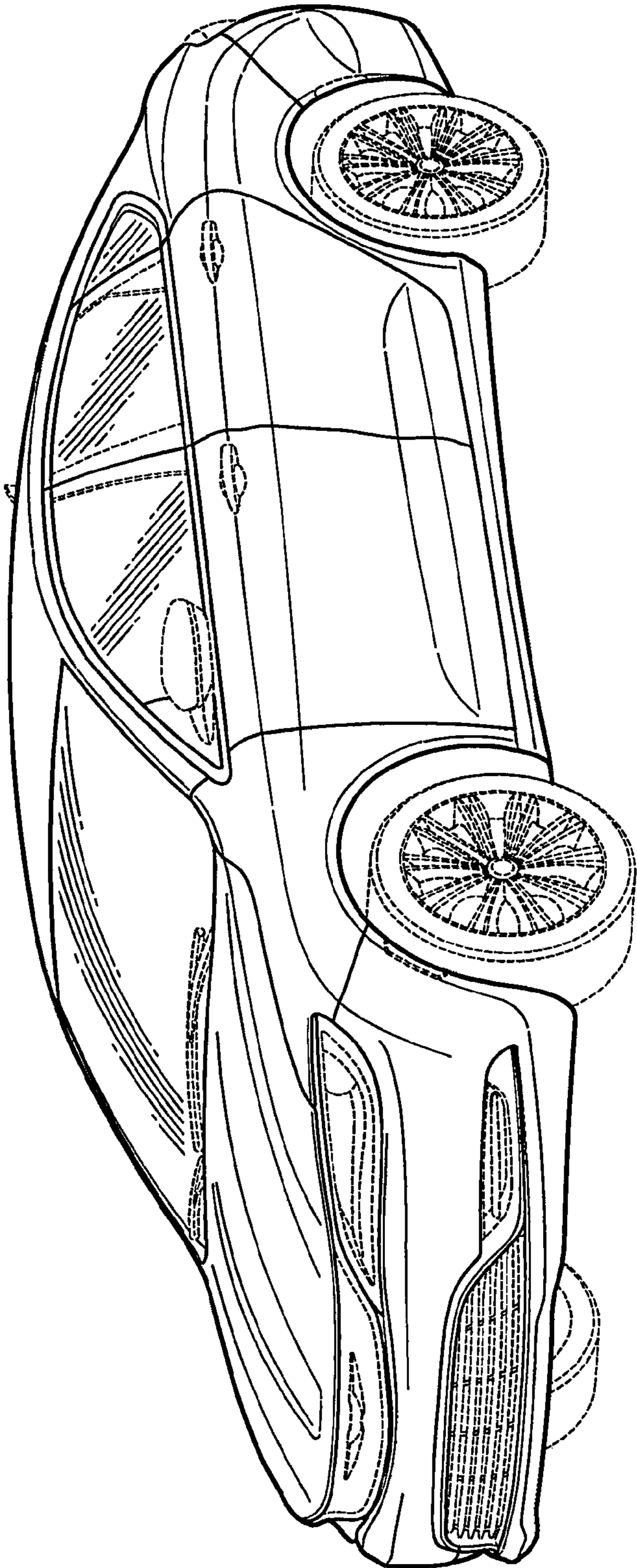


FIG. 1

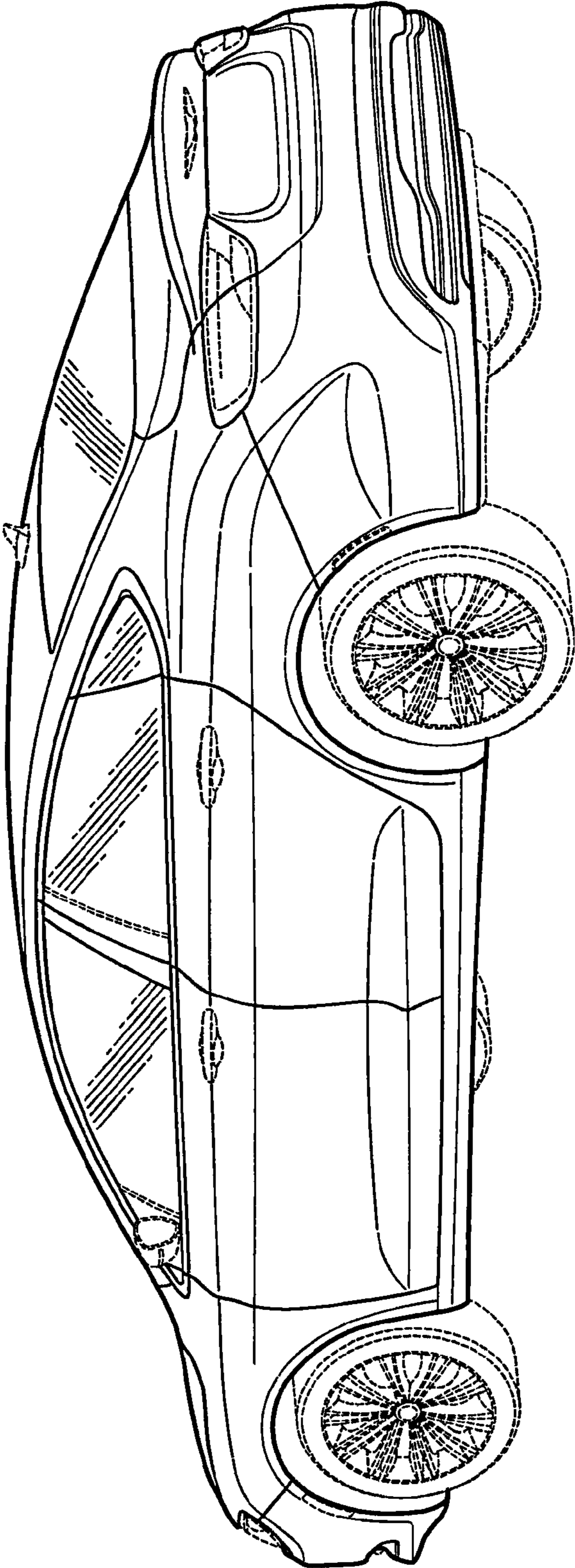


FIG. 2

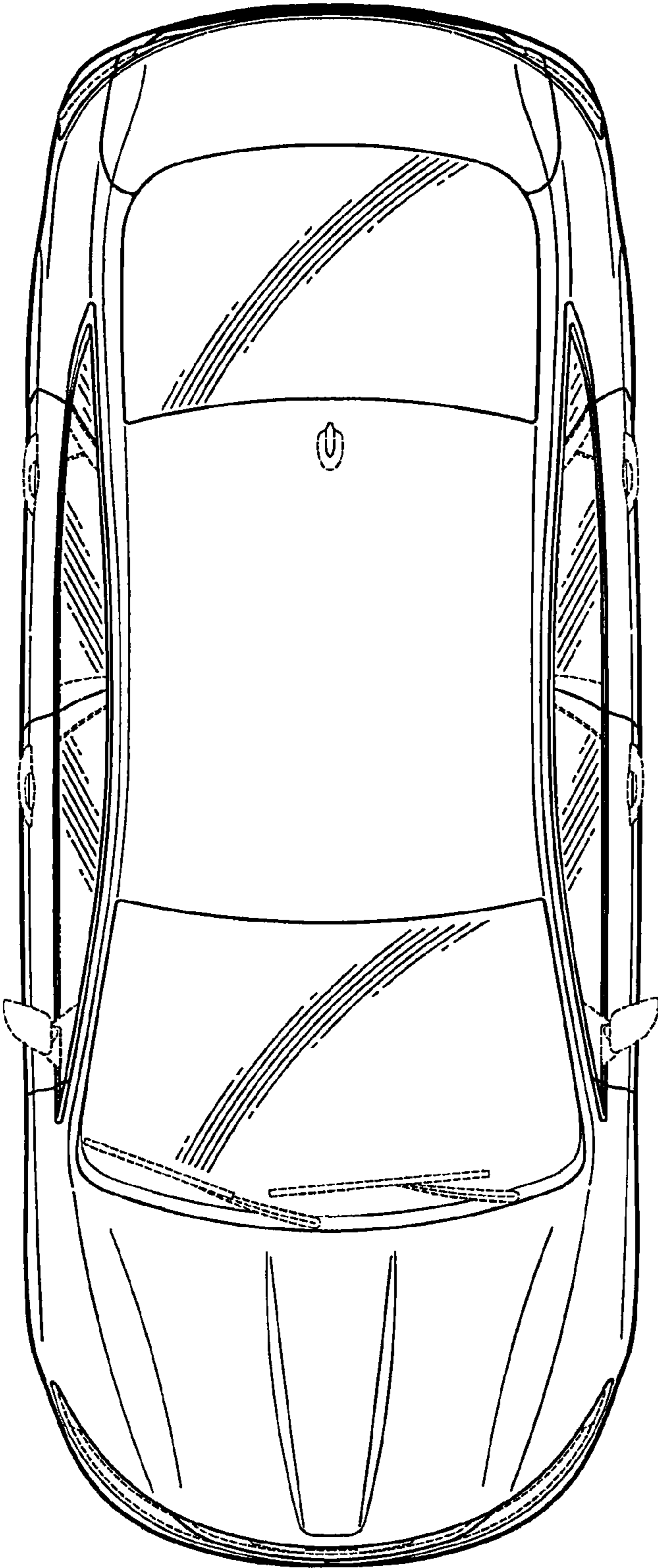


FIG. 3

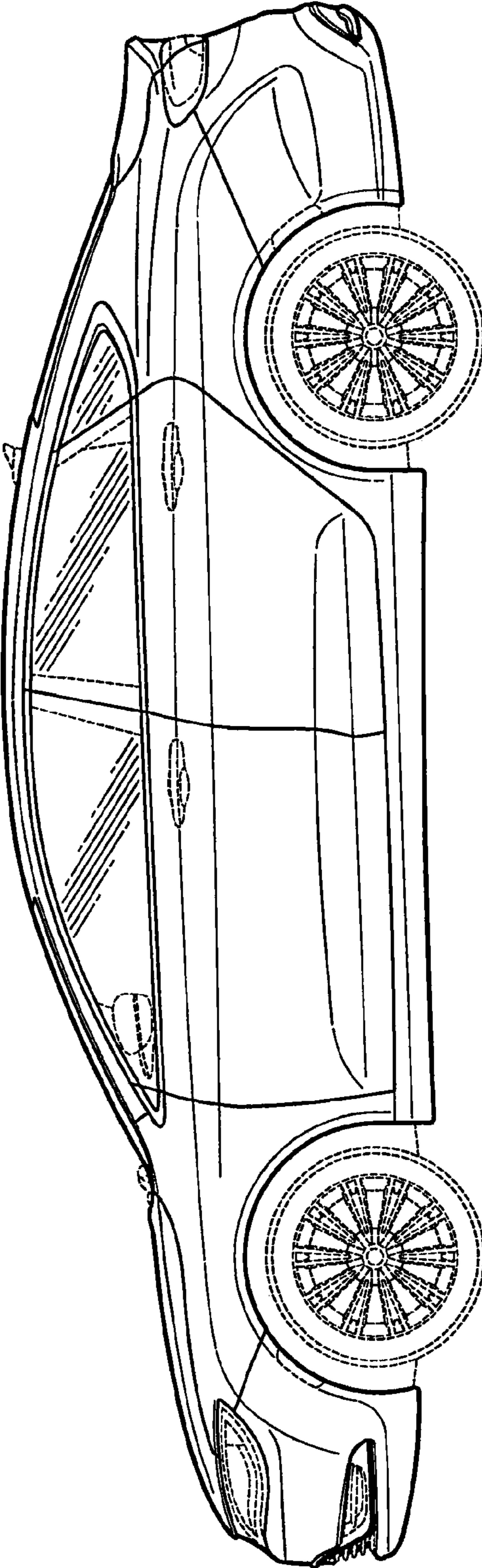


FIG. 4

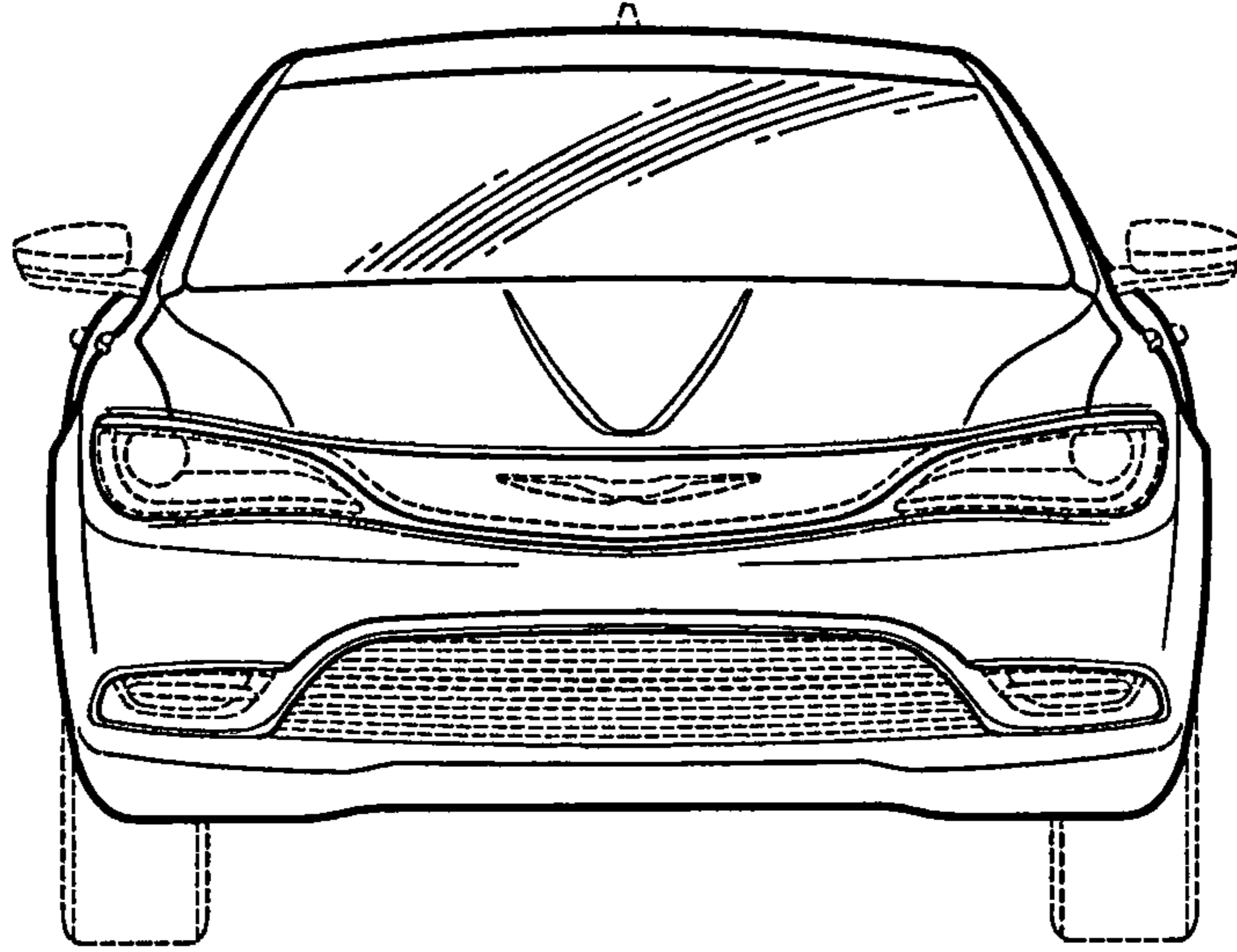


FIG. 5

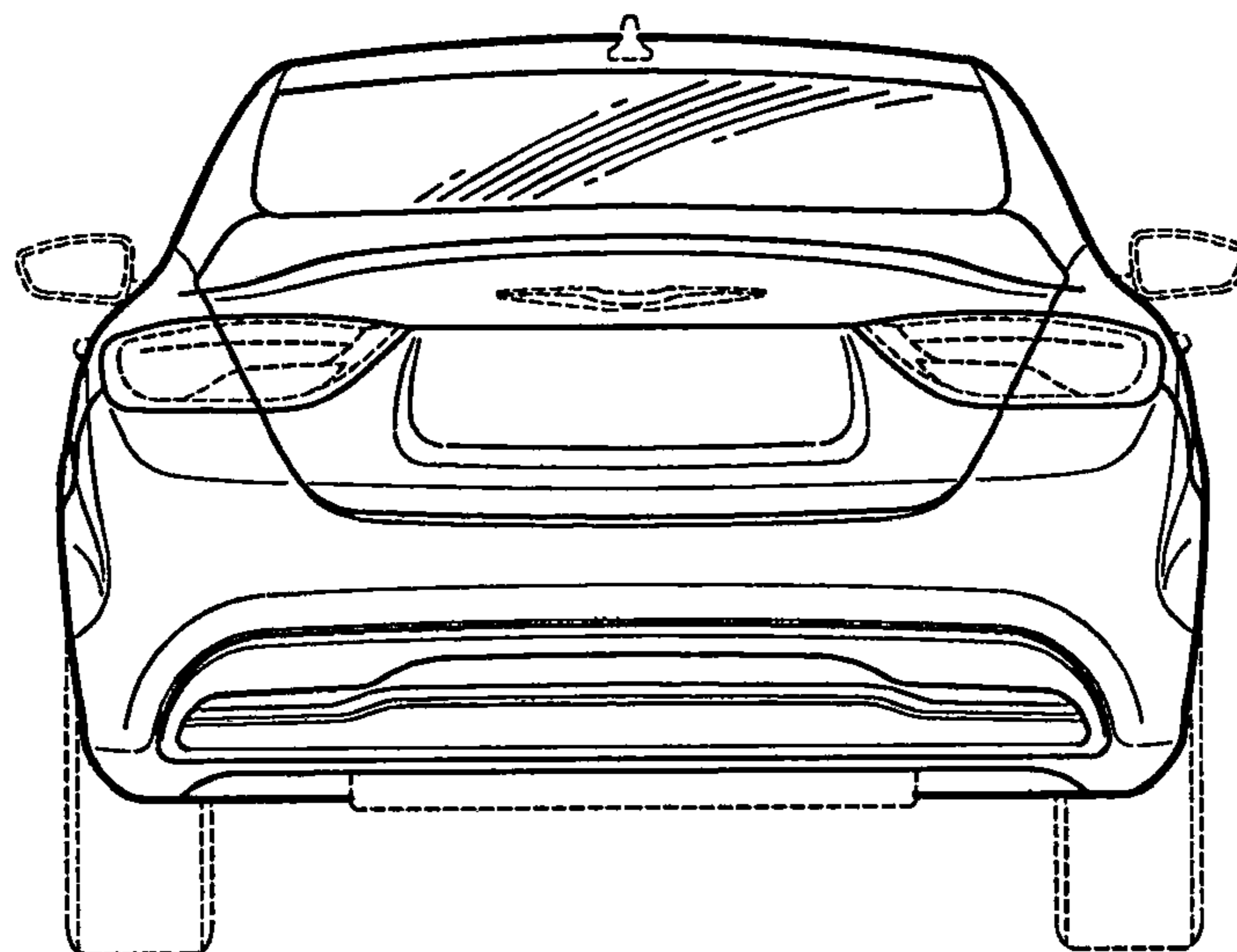


FIG. 6