



US00D718658S

(12) **United States Design Patent**
Cadarette

(10) **Patent No.:** **US D718,658 S**
(45) **Date of Patent:** **** Dec. 2, 2014**

- (54) **SPROCKET**
- (75) Inventor: **Marc R. Cadarette**, Windsor (CA)
- (73) Assignee: **The Gates Corporation**, Denver, CO (US)
- (**) Term: **14 Years**
- (21) Appl. No.: **29/408,777**
- (22) Filed: **Dec. 16, 2011**
- (51) **LOC (10) Cl.** **12-14**
- (52) **U.S. Cl.**
USPC **D12/7**
- (58) **Field of Classification Search**
USPC D12/7, 400, 1, 111, 112, 114, 127, 123;
D15/5, 148, 28; D34/29; D6/580, 356,
D6/330; 474/148, 152, 153, 161, 84, 96;
180/190, 182, 9.1; D8/360
See application file for complete search history.

8,555,504	B1 *	10/2013	Hodjat et al.	29/893
8,567,276	B2 *	10/2013	Saitoh	74/340
8,733,773	B2 *	5/2014	Sampson	280/190
2004/0139774	A1 *	7/2004	Hodjat	72/68
2006/0264286	A1 *	11/2006	Hodjat	474/152
2006/0270506	A1 *	11/2006	Larson et al.	475/207
2009/0036260	A1 *	2/2009	Dec	475/294
2009/0286638	A1 *	11/2009	Lieh	474/148
2011/0278419	A1 *	11/2011	Sovis	248/429
2013/0032419	A1 *	2/2013	Conn et al.	180/190
2013/0291384	A1 *	11/2013	Hodjat et al.	29/893.1
2014/0106917	A1 *	4/2014	Yuan et al.	474/148
2014/0135160	A1 *	5/2014	Kaiser et al.	474/152
2014/0251707	A1 *	9/2014	Sampson	180/182

* cited by examiner

Primary Examiner — T. Chase Nelson
Assistant Examiner — Ania Aman

(74) *Attorney, Agent, or Firm* — Jeffrey A. Thurnau, Esq.; Paul N. Dunlap, Esq.

(57) **CLAIM**

The ornamental design for a sprocket, as shown and described.

(56) **References Cited**

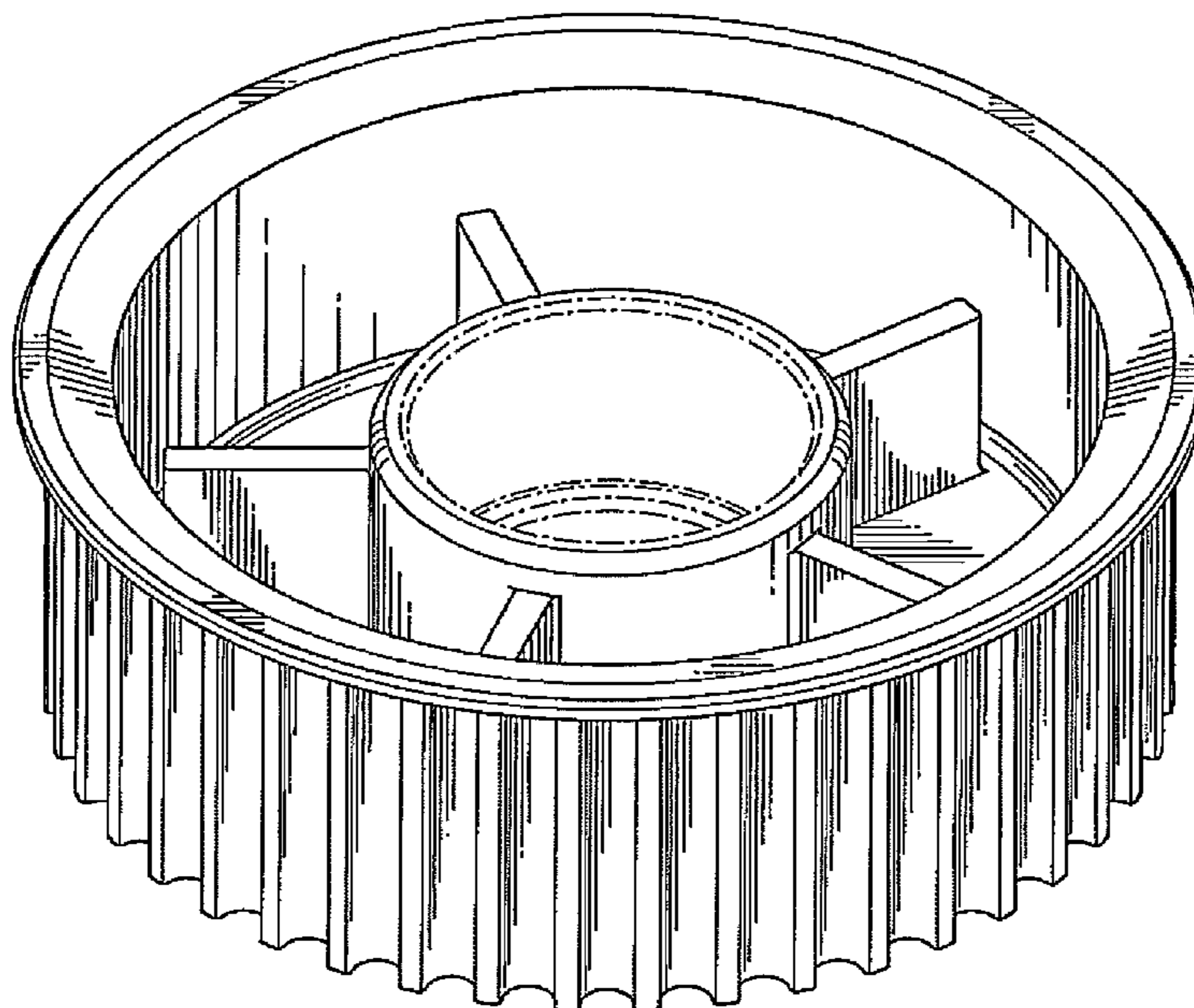
U.S. PATENT DOCUMENTS

D296,900	S *	7/1988	Randolph	D15/148
4,913,310	A	4/1990	Boyer et al.	
D308,012	S	5/1990	Kanemitsu	
D308,013	S	5/1990	Kanemitsu	
5,026,328	A *	6/1991	Unuma	474/153
D320,927	S	10/1991	Kanemitsu	
D436,023	S	1/2001	Johnson	
D492,579	S *	7/2004	Hodjat	D8/360
7,077,773	B2 *	7/2006	Chapman et al.	474/112
7,461,624	B2 *	12/2008	Ullein et al.	123/192.2
7,635,314	B2 *	12/2009	Kubo et al.	474/156
7,815,542	B2 *	10/2010	Dec	475/326
7,909,716	B2 *	3/2011	Lieh	474/72

DESCRIPTION

FIG. 1 is a front elevation view.
FIG. 2 is a side elevation view.
FIG. 3 is a back plan view.
FIG. 4 is a cross-sectional view taken along the line 4-4 in FIG. 1; and,
FIG. 5 is a rear perspective view.
The broken lines shown in the drawings are for the purpose of illustrating portions of the article that form no part of the claimed design.

1 Claim, 3 Drawing Sheets



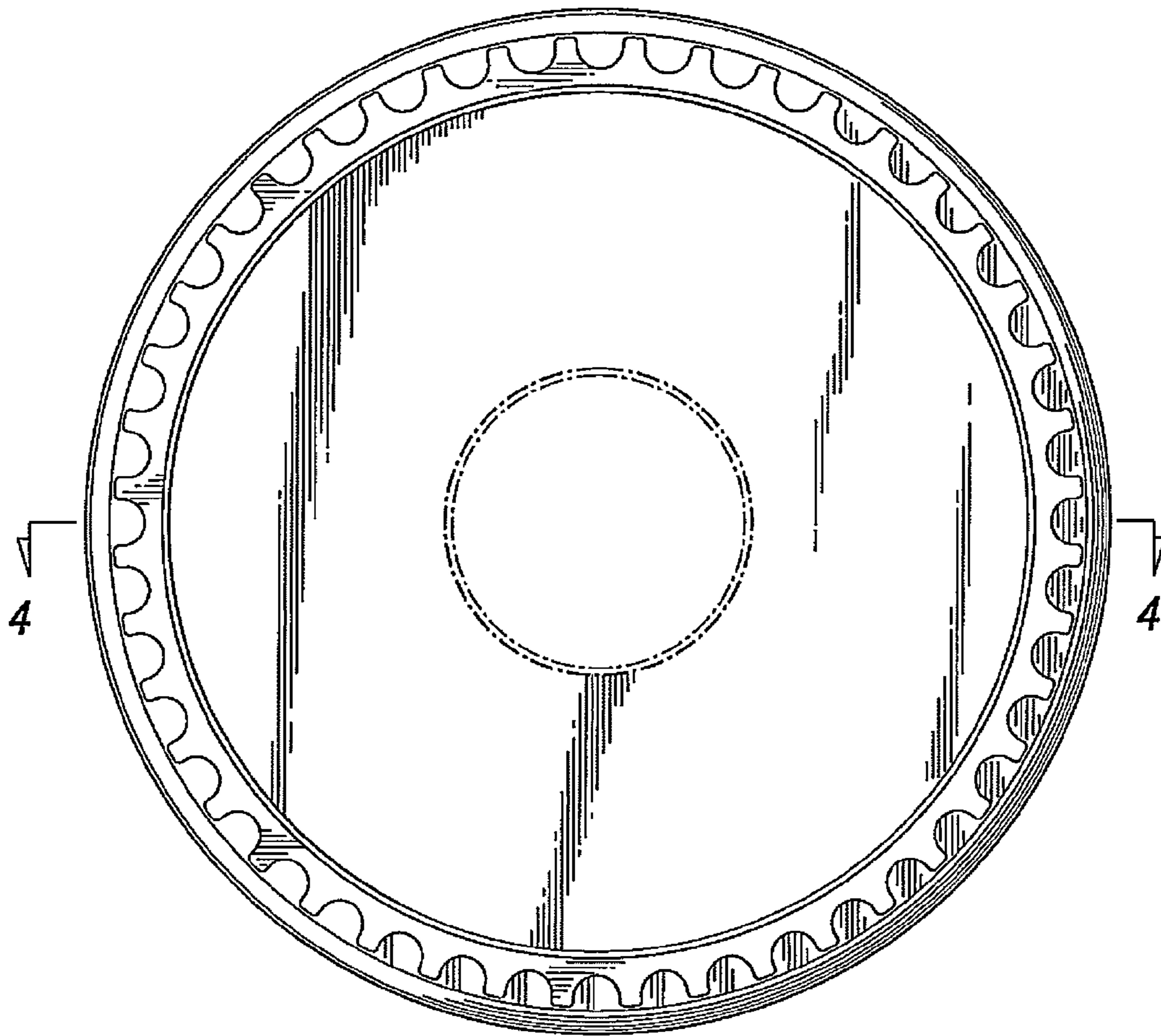


FIG. 1

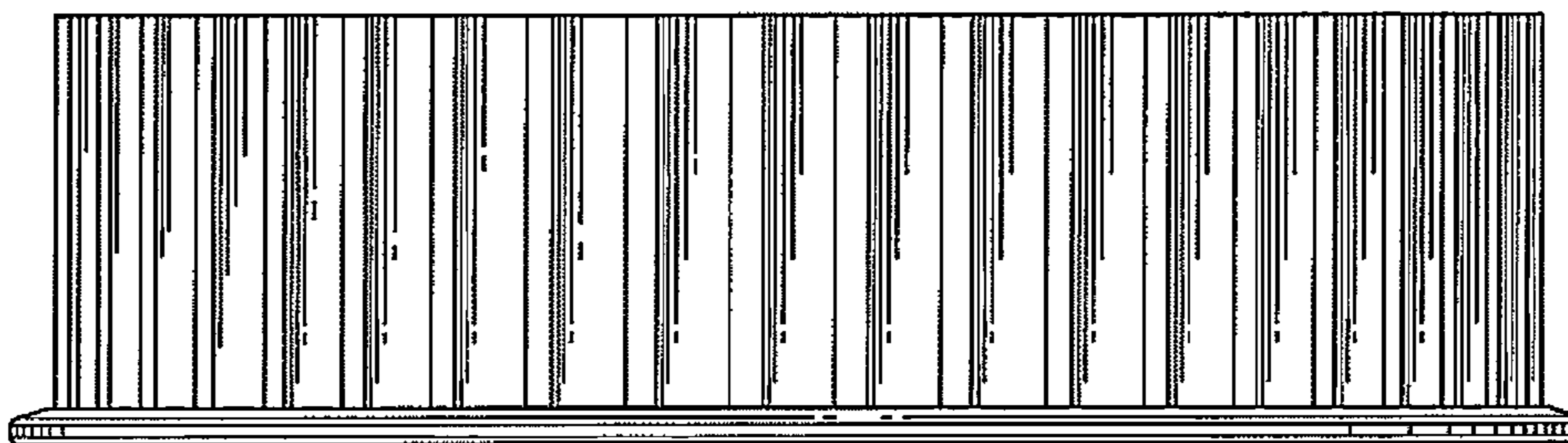


FIG. 2

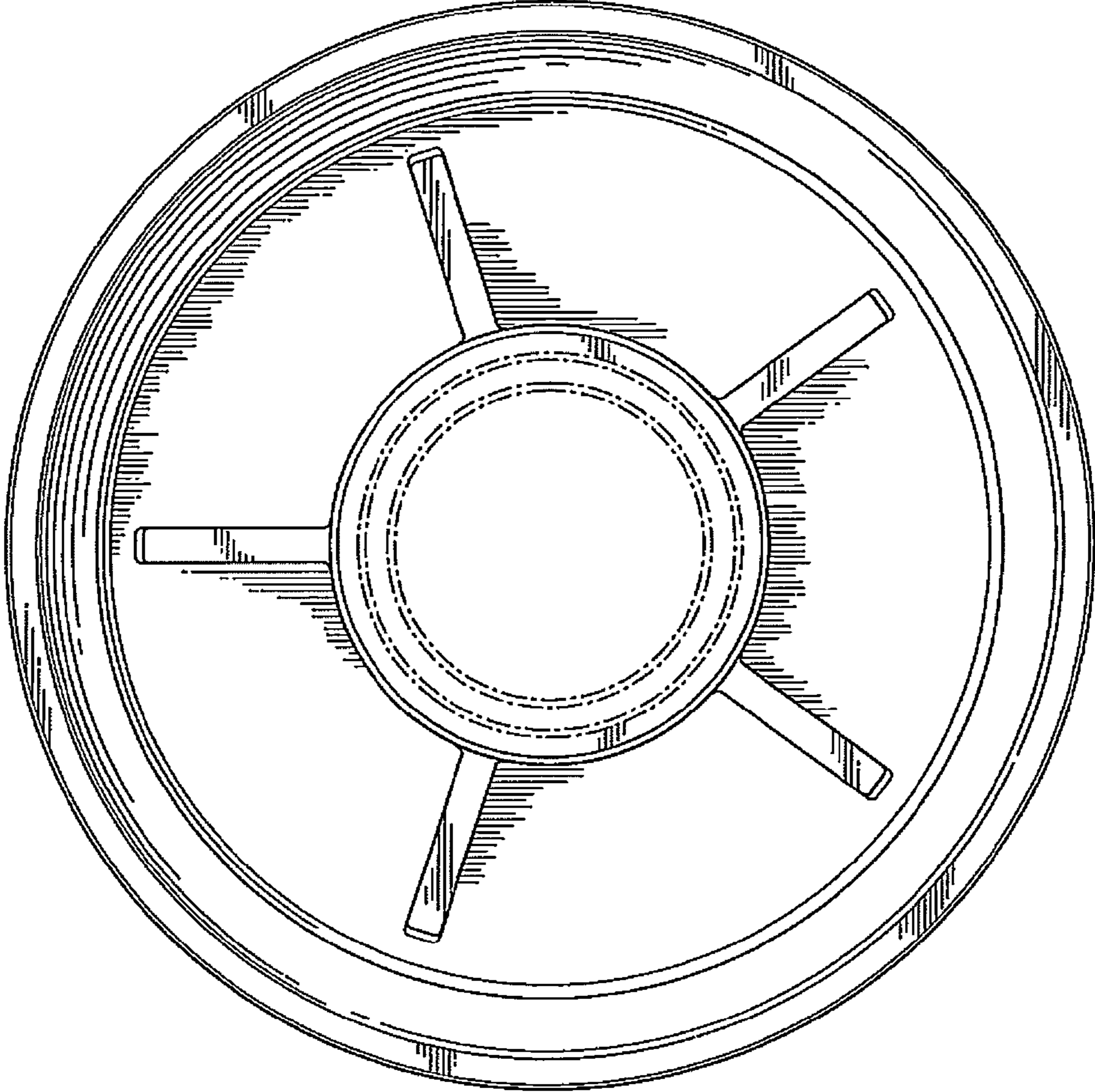


FIG.3

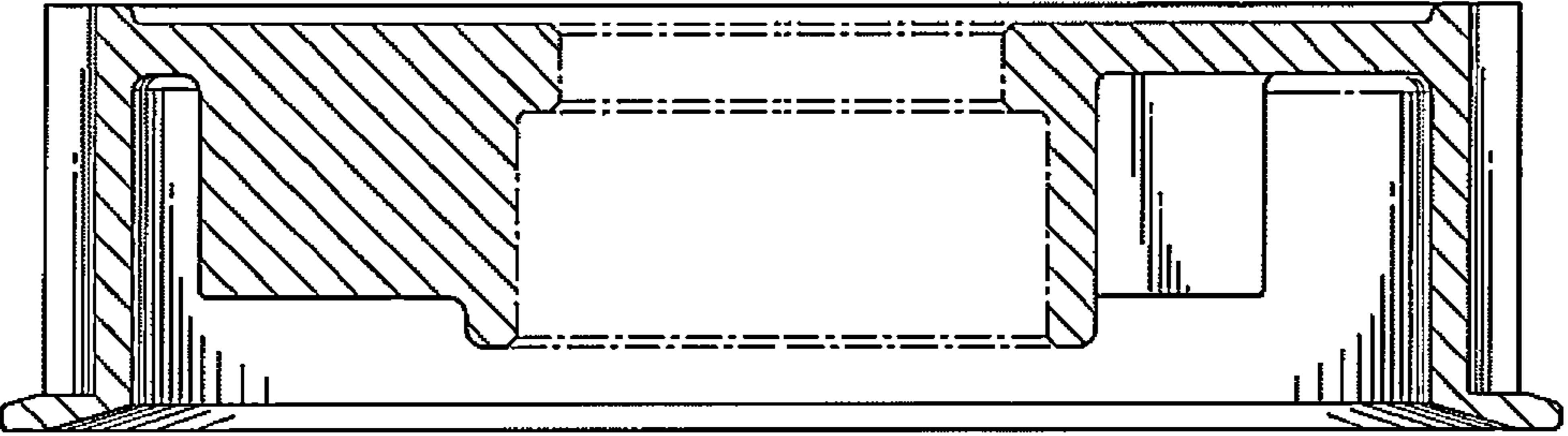


FIG.4

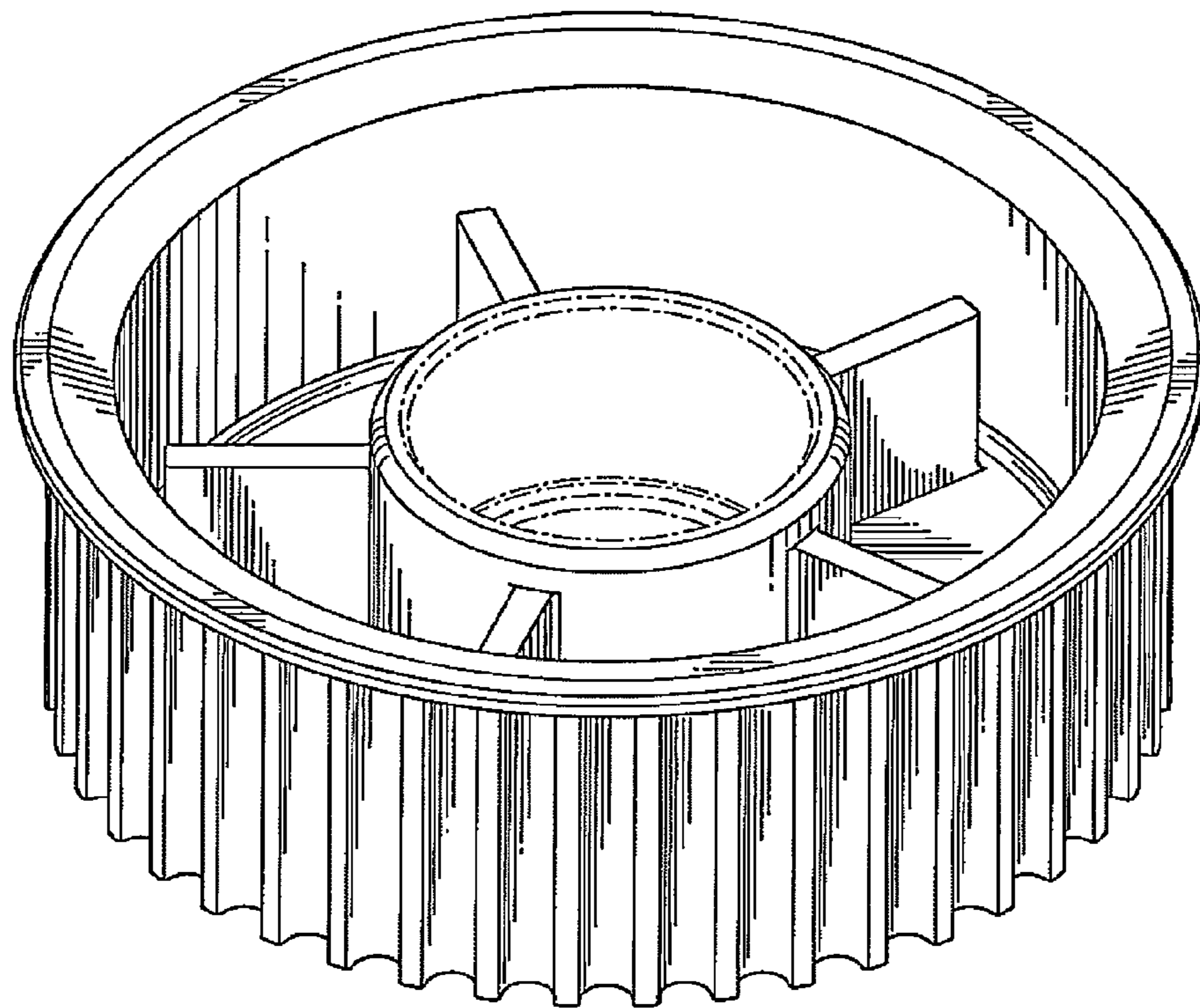


FIG.5